



US00D785217S

(12) **United States Design Patent**
Engebrigtsen

(10) **Patent No.:** **US D785,217 S**
(45) **Date of Patent:** **** Apr. 25, 2017**

(54) **LIGHTING TUBE AND SUCTION CUP**

(71) Applicant: **Navisafe AS**, Bekkestua (NO)
(72) Inventor: **Jo Engebrigtsen**, Bekkestua (NO)
(73) Assignee: **NAVISAFE AS**, Bekkestua (NO)
(**) Term: **14 Years**

(21) Appl. No.: **29/523,542**

(22) Filed: **Apr. 10, 2015**

(51) **LOC (10) Cl.** **26-03**

(52) **U.S. Cl.**
USPC **D26/63**

(58) **Field of Classification Search**
USPC D26/1, 24, 61, 63, 65, 85, 92, 42
(Continued)

(56) **References Cited**

U.S. PATENT DOCUMENTS

D416,344 S * 11/1999 Hawkins D26/42
D448,875 S * 10/2001 Yuen D26/42
(Continued)

Primary Examiner — Brian N Vinson

(74) *Attorney, Agent, or Firm* — Wenderoth, Lind & Ponack, L.L.P.

(57) **CLAIM**

I claim the ornamental design for a lighting tube and suction cup, as shown and described.

DESCRIPTION

FIG. 1 is a top perspective view of a lighting tube and suction cup according to the present design;
FIG. 2 is a bottom perspective view of the lighting tube and suction cup according to the present design;
FIG. 3 is a side view of the lighting tube and suction cup according to the present design;

FIG. 4 is a top view of the lighting tube and suction cup according to the present design;
FIG. 5 is a bottom view of the lighting tube and suction cup according to the present design;
FIG. 6 is an enlarged partial top perspective view of the lighting tube and suction cup according to the present design;
FIG. 7 is a front view of the lighting tube and suction cup according to the present design;
FIG. 8 is an enlarged partial side view of the lighting tube and suction cup according to the present design;
FIG. 9 is a fragmentary view of the lighting tube and suction cup according to the present design showing a top perspective view of the lighting tube with hinged end pieces;
FIG. 10 is a fragmentary view of the lighting tube and suction cup according to the present design showing a bottom perspective view of the lighting tube with hinged end pieces;
FIG. 11 is a fragmentary view of the lighting tube and suction cup according to the present design showing a side view of the lighting tube with hinged end pieces;
FIG. 12 is a fragmentary view of the lighting tube and suction cup according to the present design showing a top view of the lighting tube with hinged end pieces;
FIG. 13 is a fragmentary view of the lighting tube and suction cup according to the present design showing a bottom view of the lighting tube with hinged end pieces;
FIG. 14 is a fragmentary view of the lighting tube and suction cup according to the present design showing an enlarged partial top perspective view of the lighting tube with hinged end pieces;
FIG. 15 is a fragmentary view of the lighting tube and suction cup according to the present design showing a front view of the lighting tube with hinged end pieces;
FIG. 16 is a fragmentary view of the lighting tube and suction cup according to the present design showing an enlarged partial side view of the lighting tube with hinged end pieces;
FIG. 17 is a fragmentary view of the lighting tube and suction cup according to the present design showing a side view of the suction cup with hinge;
FIG. 18 is a fragmentary view of the lighting tube and suction cup according to the present design showing a top perspective view of the suction cup with hinge; and,

(Continued)

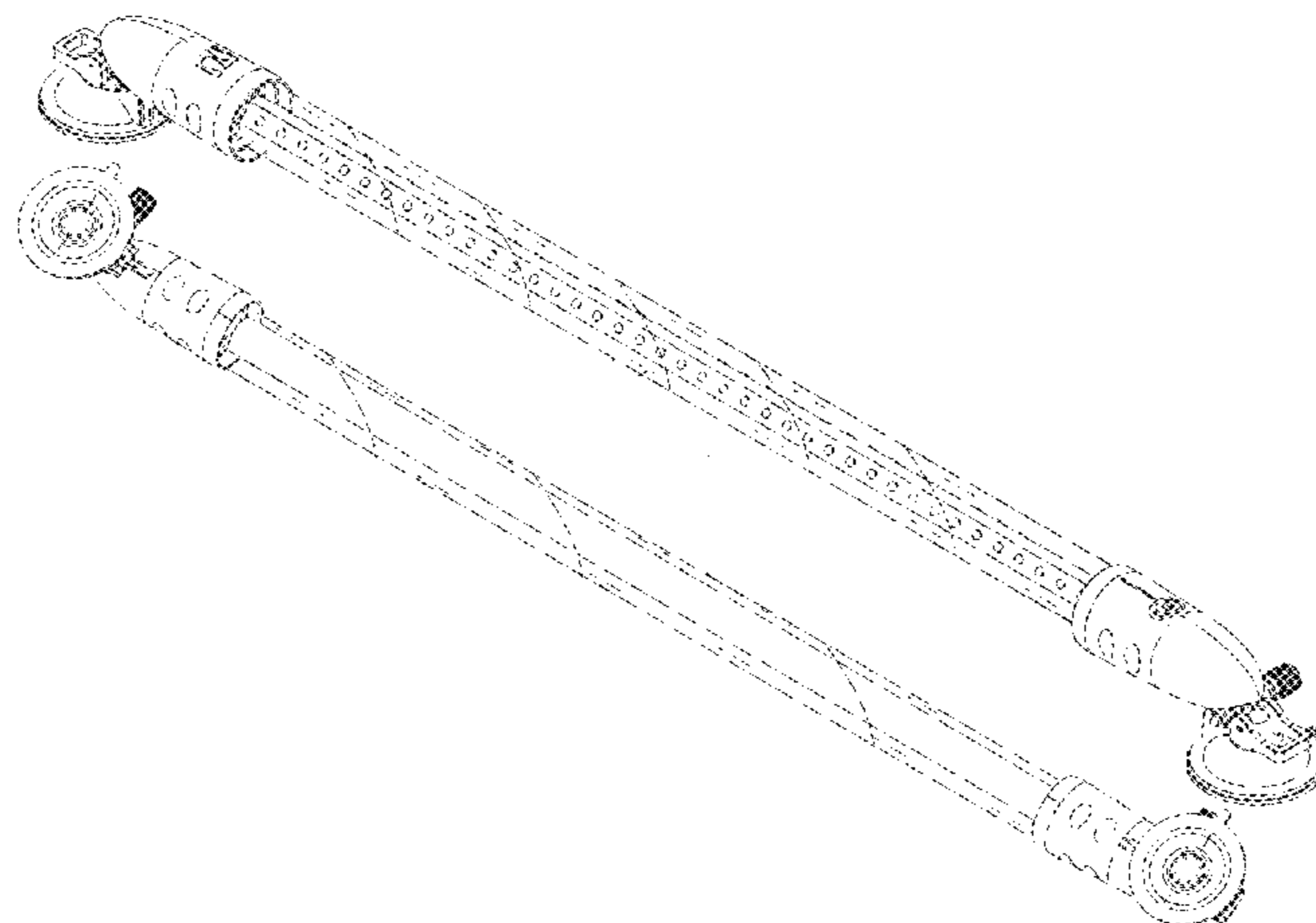


FIG. 19 is a fragmentary view of the lighting tube and suction cup according to the present design showing a top view of the suction cup with hinge.

The drawings show watertight battery powered lighting tubes with rows of LED diodes in particular for attachment to the bottom of stand up paddle boards. The lighting tubes are attached with hinged suction cups. The lighting tubes may also be used for attachment to the bottom of other kinds of water crafts such as kayaks, wind surfers and canoes. The hinged suction cups are also shown separately in fragmentary views of the present design.

1 Claim, 7 Drawing Sheets

(58) Field of Classification Search

CPC F21V 21/14; F21V 15/01; F21V 14/02;
F21V 21/30; F21V 21/00; F21V 14/00;
F21S 8/00; F21S 8/003; F21S 8/043;
F21Y 2105/001

See application file for complete search history.

(56) References Cited

U.S. PATENT DOCUMENTS

D575,430 S * 8/2008 Jiang D26/42
D701,986 S * 4/2014 Goeckel D26/42

* cited by examiner

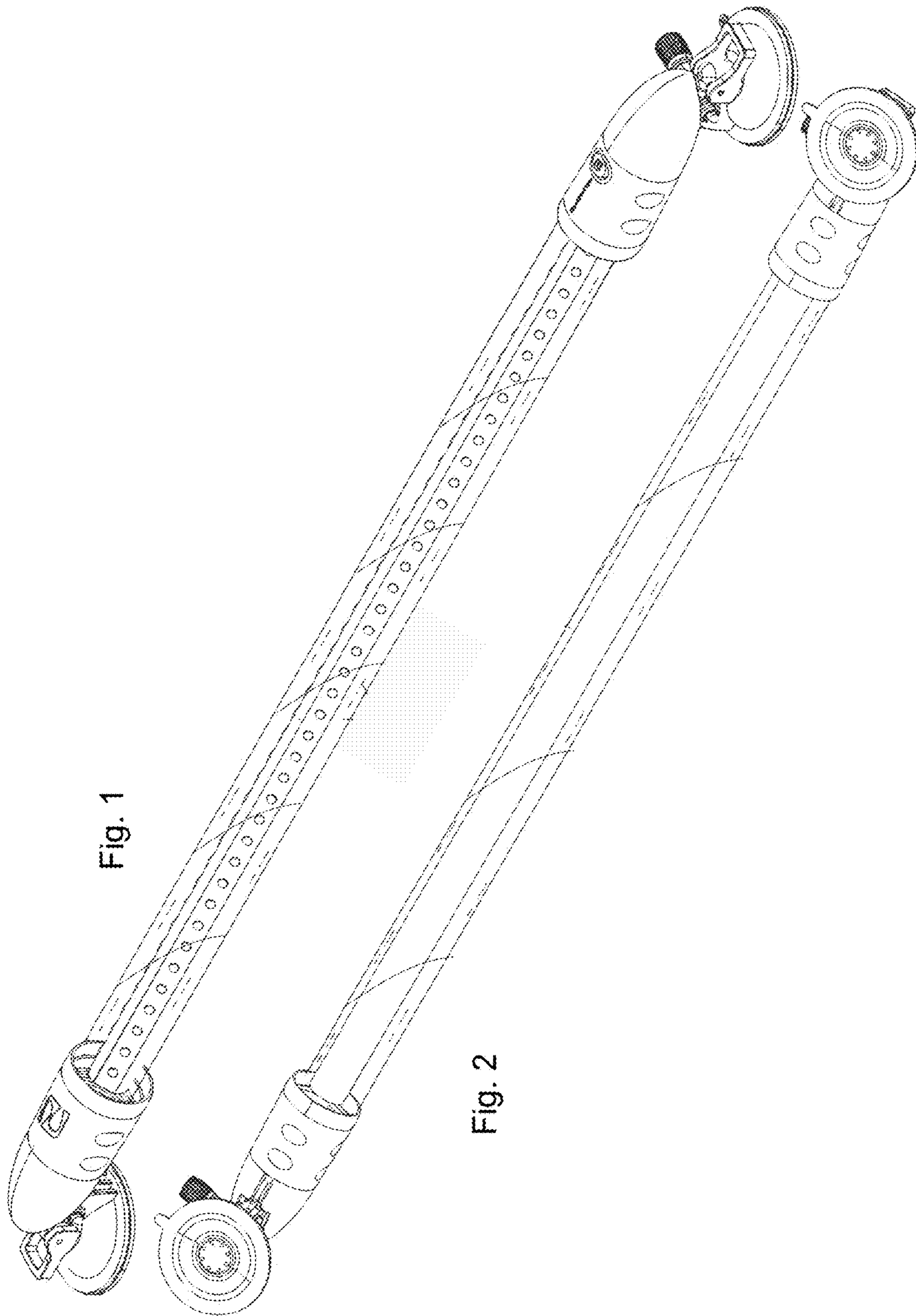


Fig. 1

Fig. 2

Fig. 3

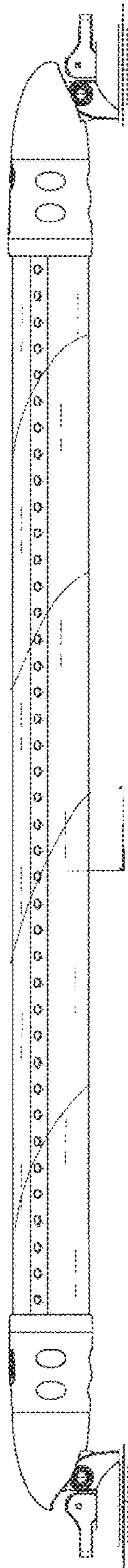


Fig. 4

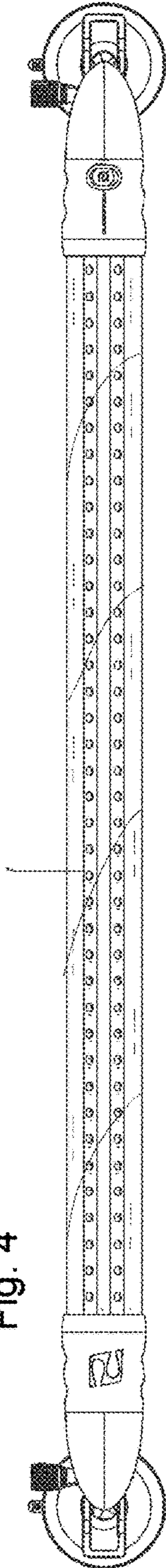
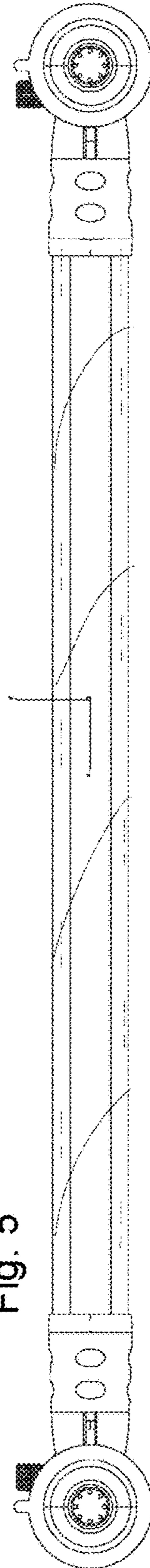


Fig. 5



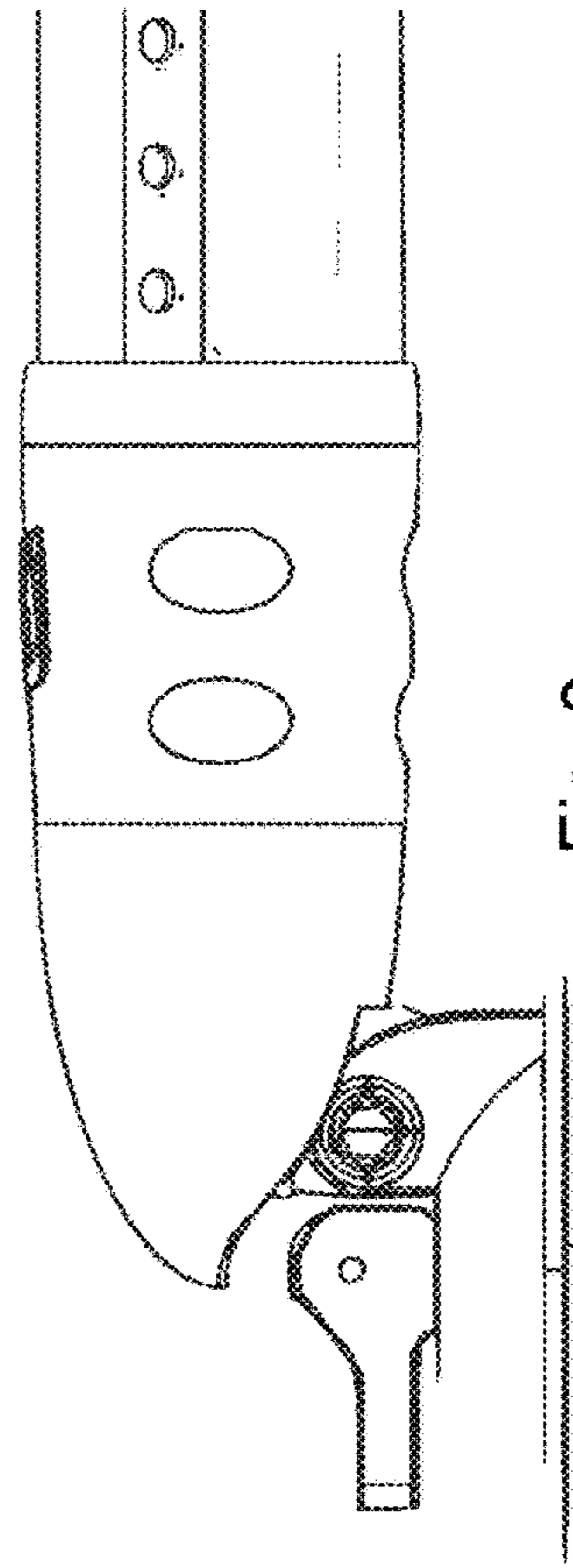
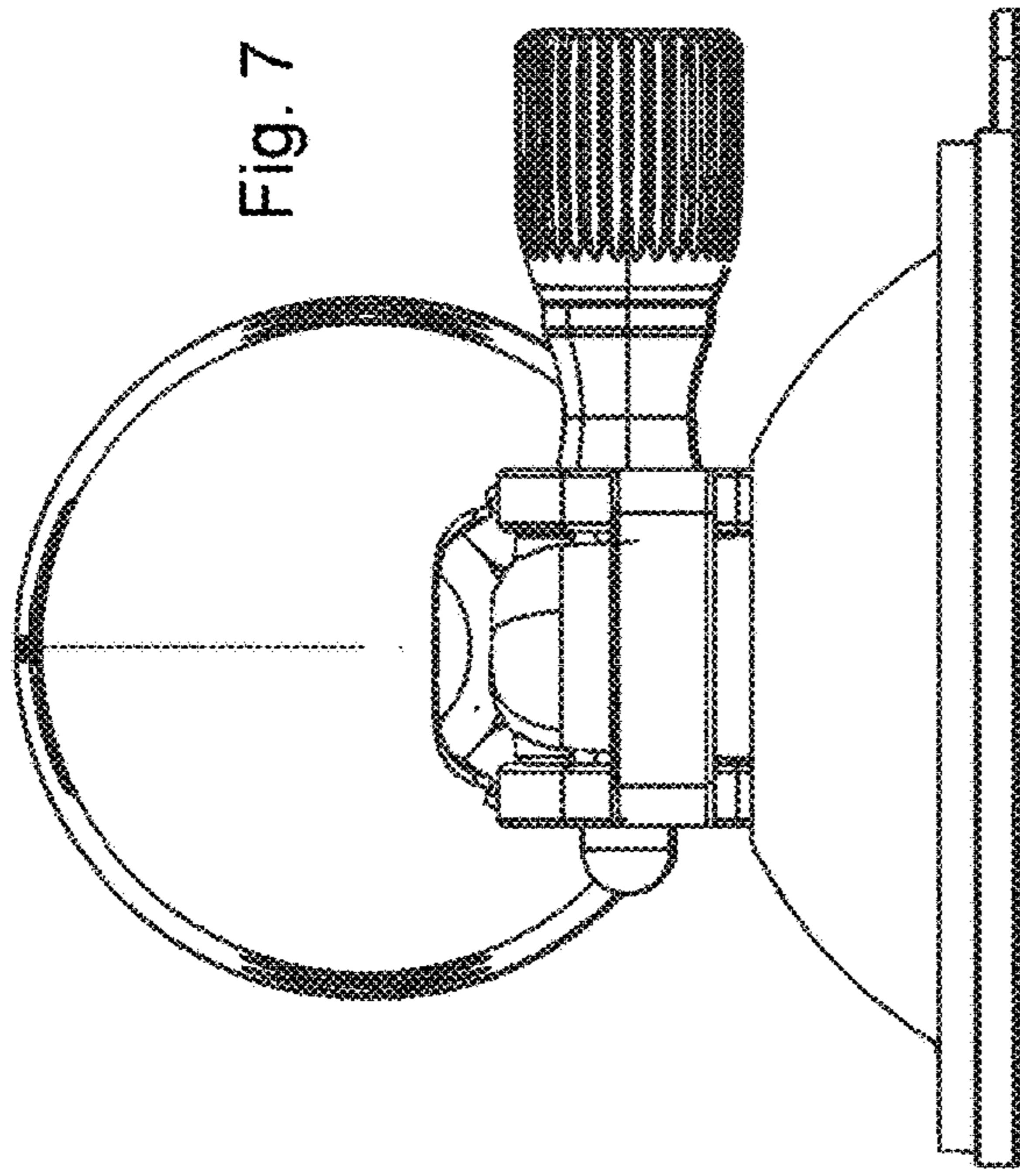
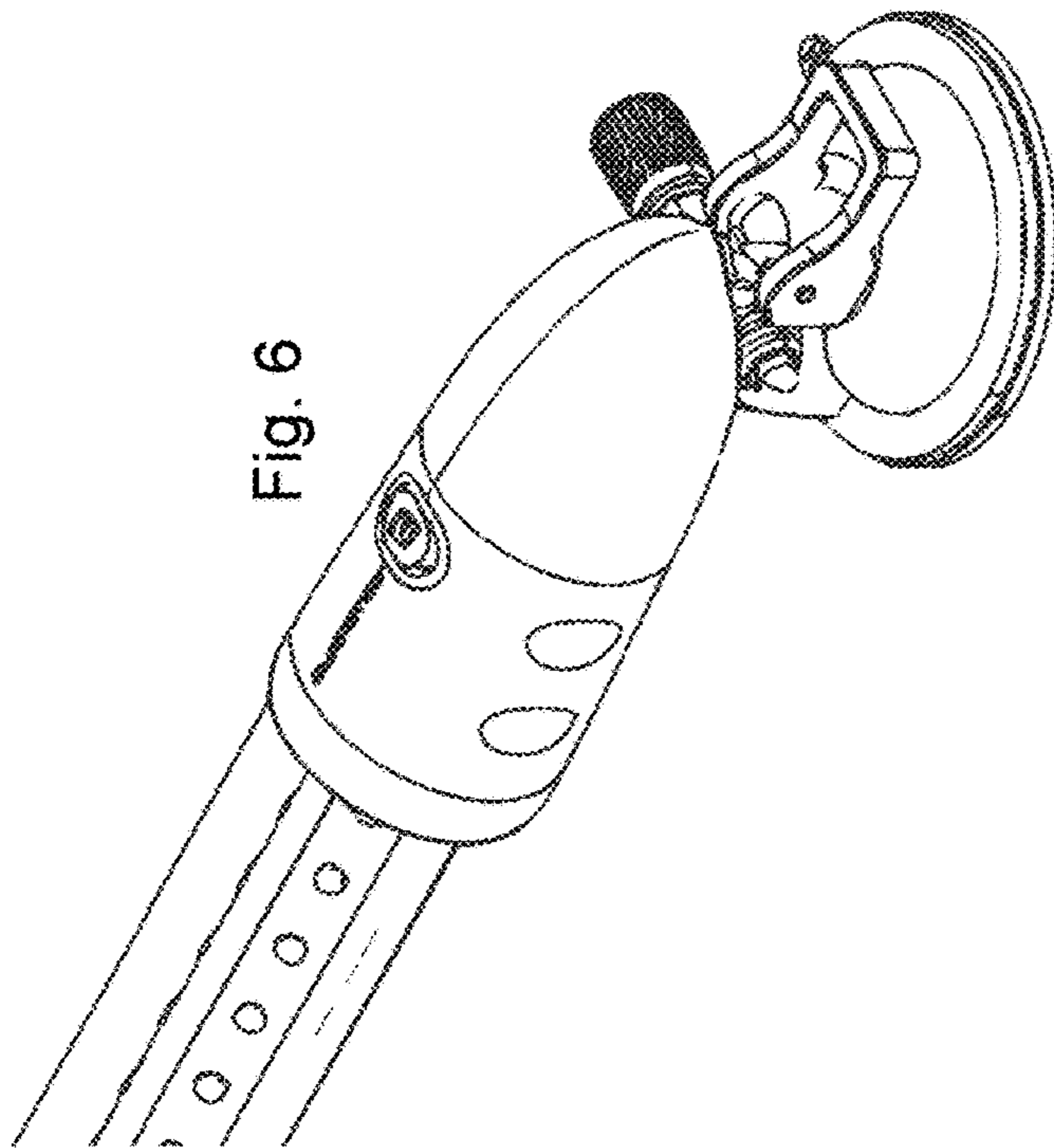


Fig. 6

Fig. 7

Fig. 8

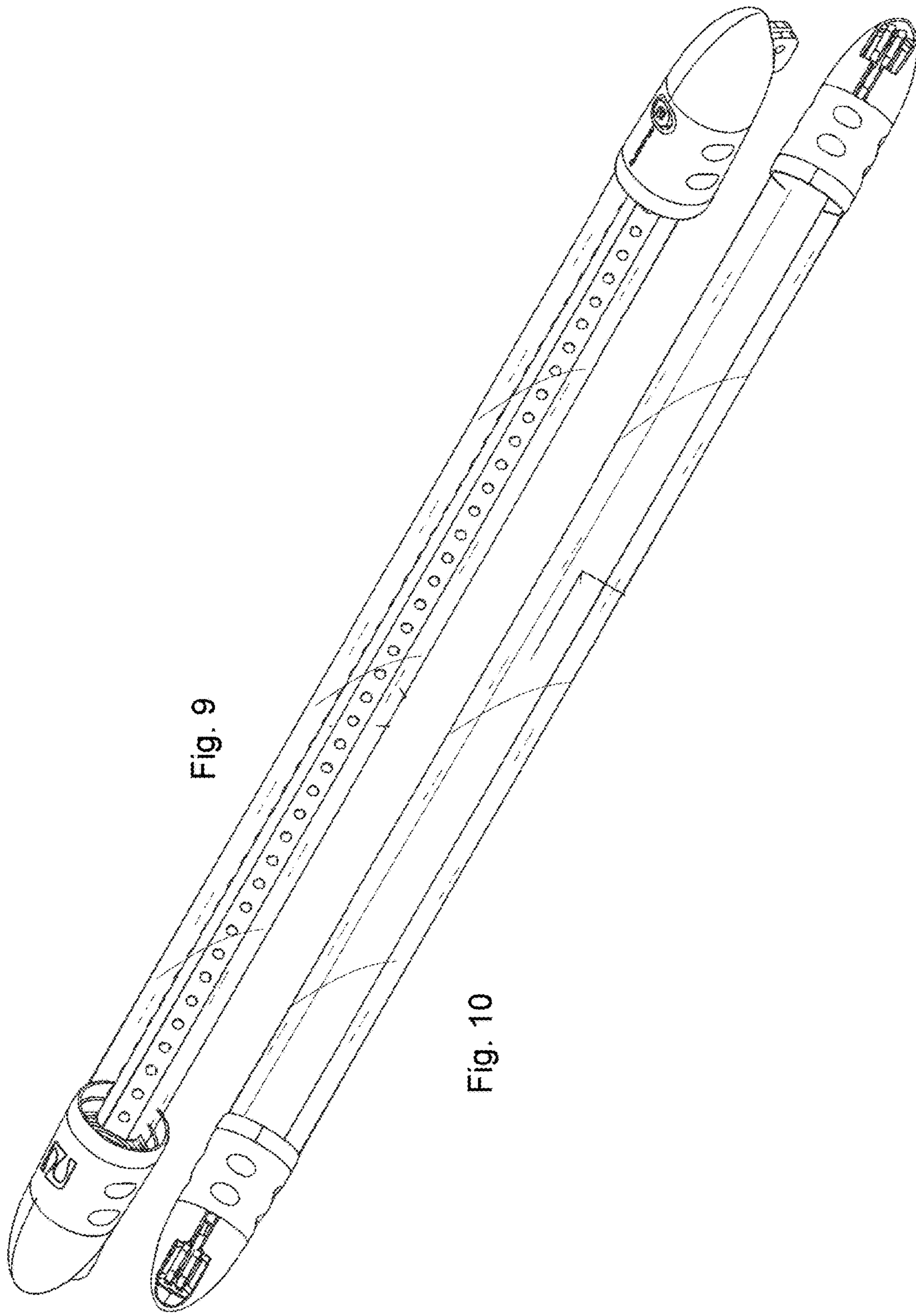


Fig. 9

Fig. 10

Fig. 11

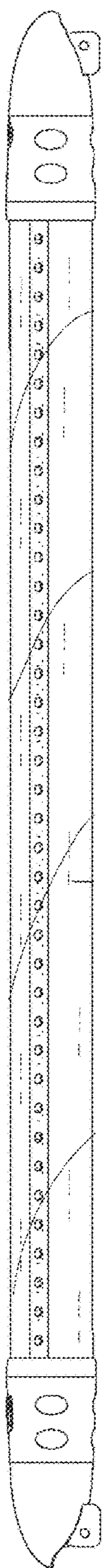


Fig. 12

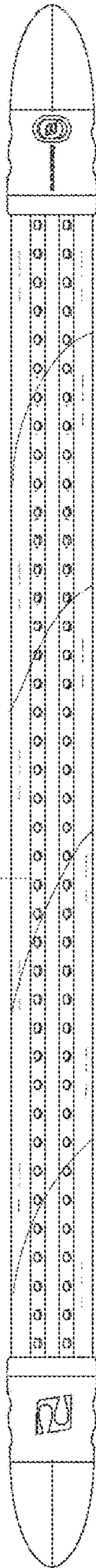
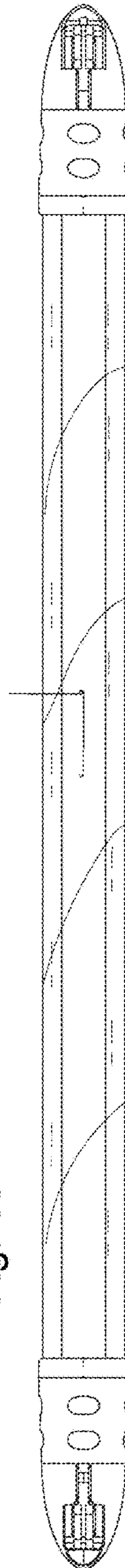
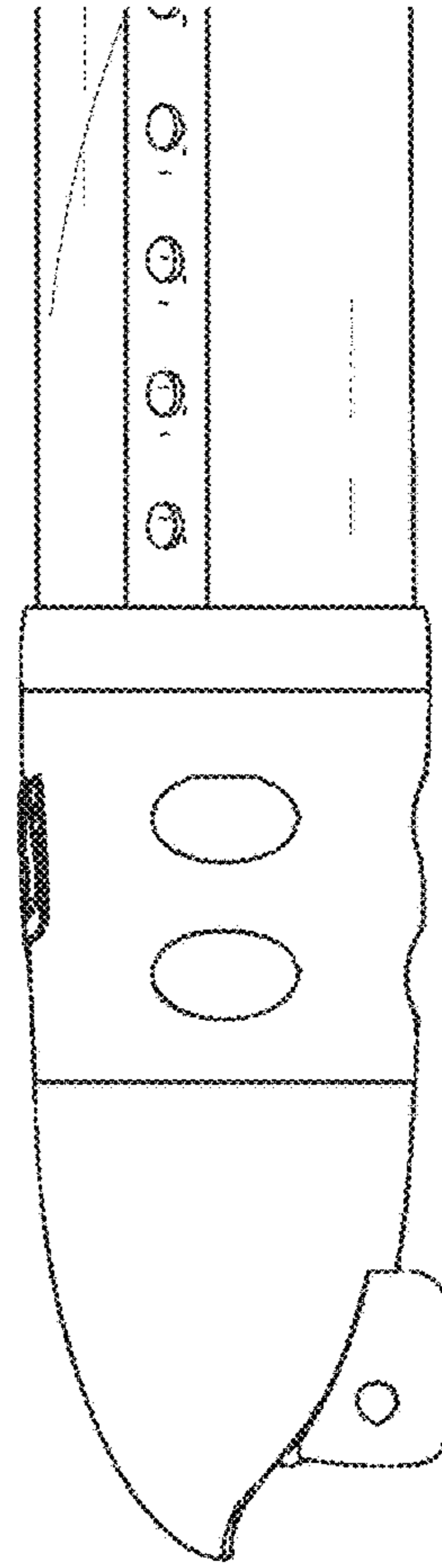
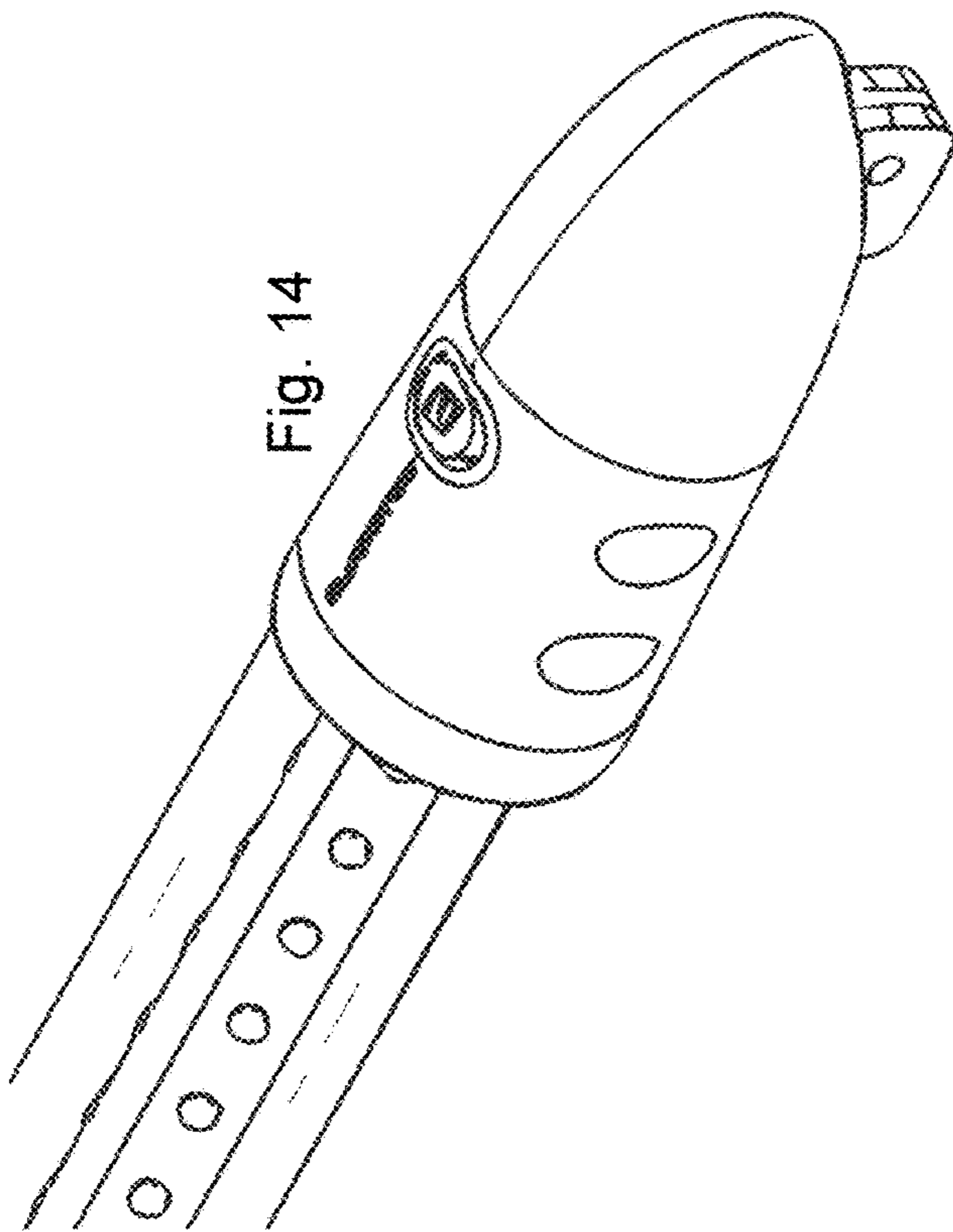
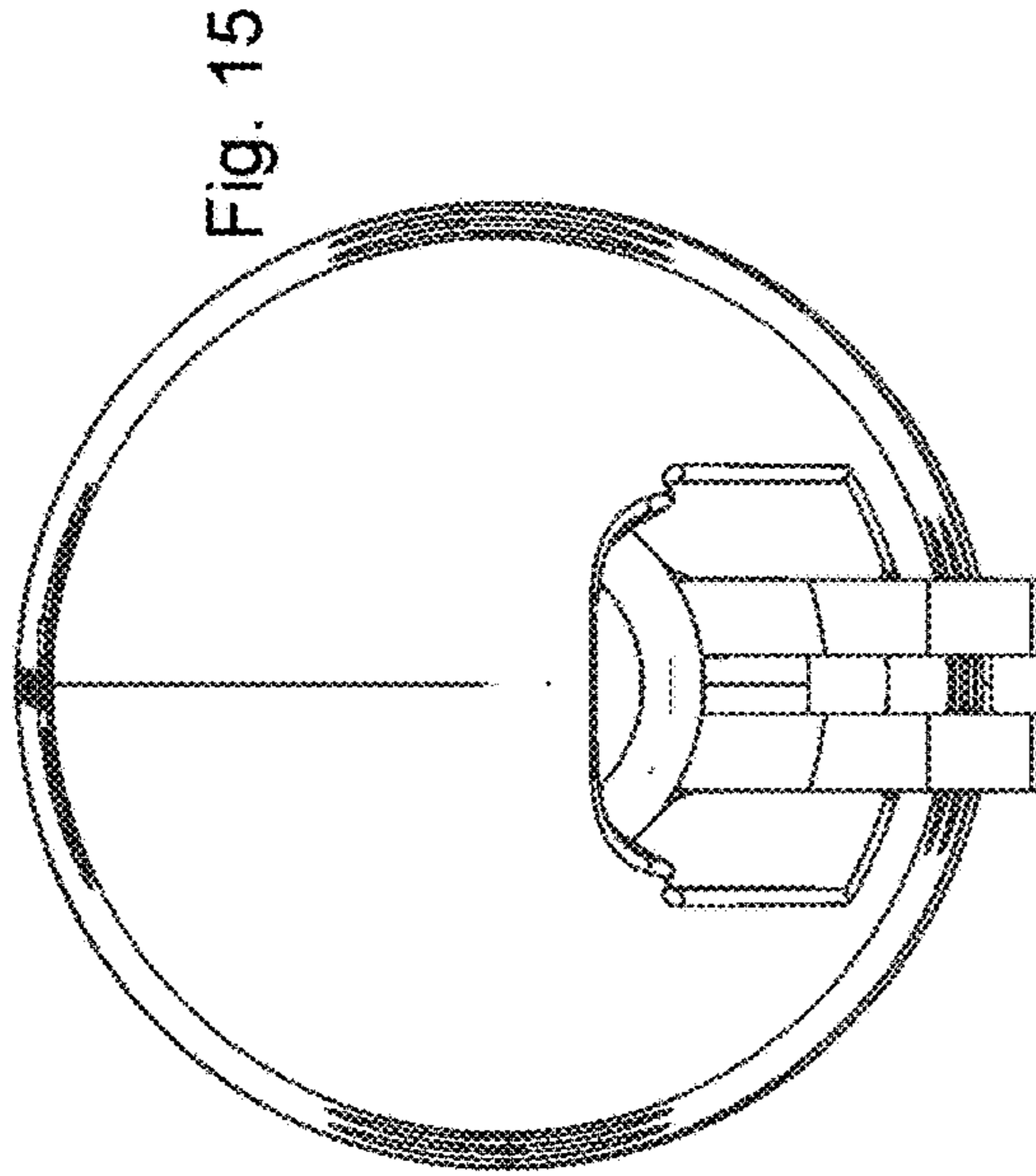


Fig. 13





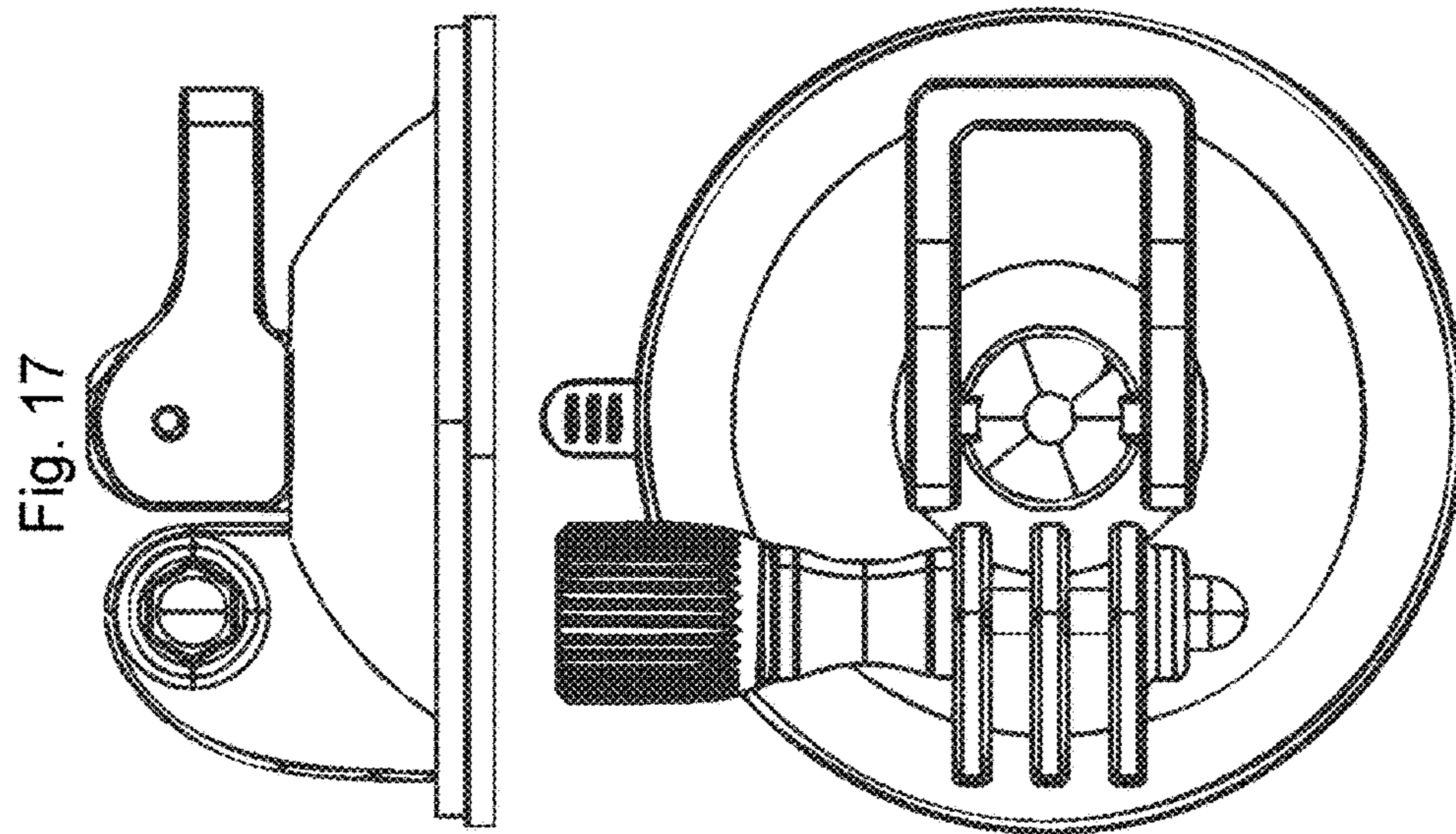
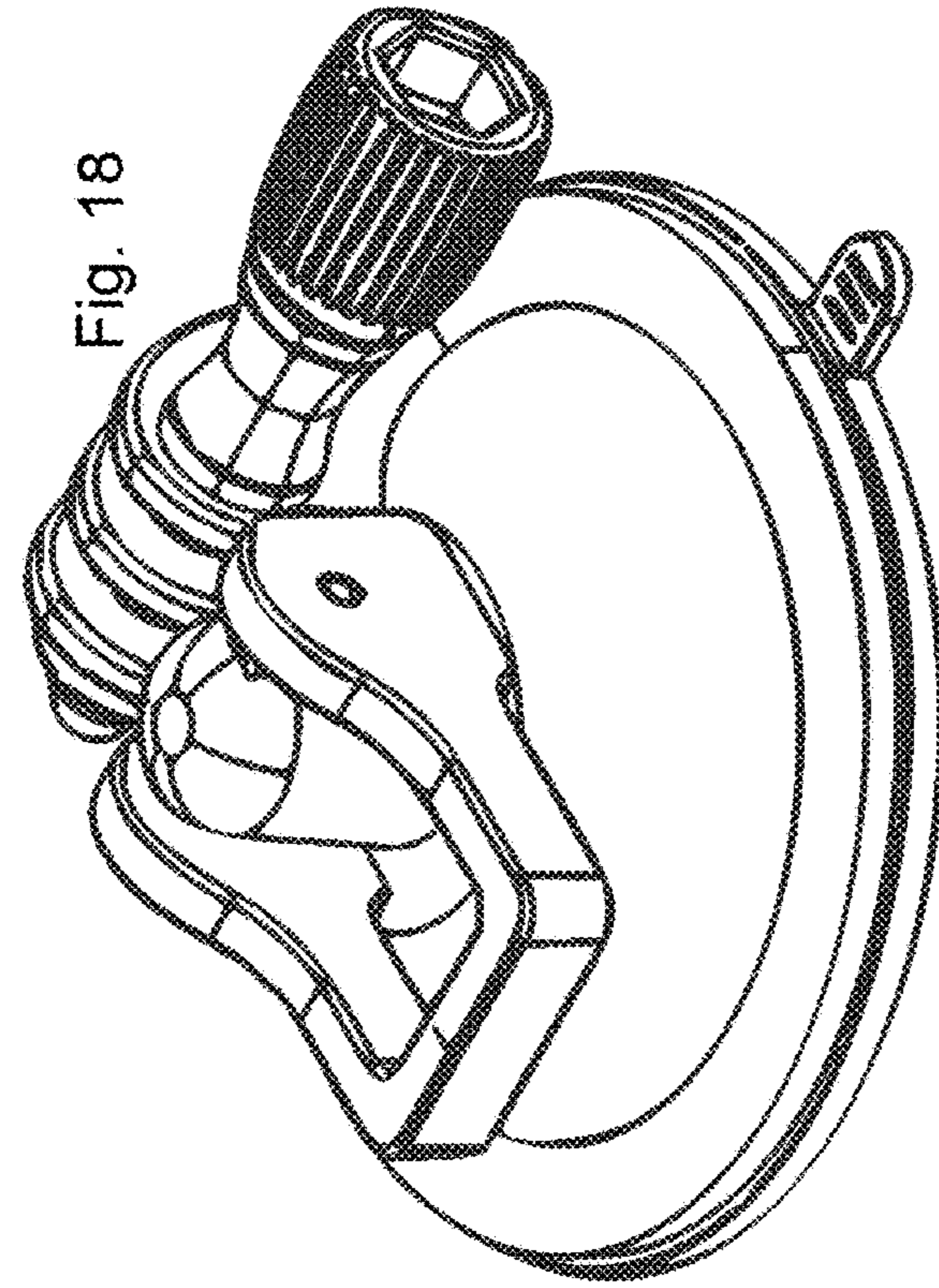


Fig. 19