



US00D785213S

(12) **United States Design Patent** (10) **Patent No.:** **US D785,213 S**
Nei (45) **Date of Patent:** **** Apr. 25, 2017**

(54) **LIGHT EMITTING DIODE**

(71) Applicant: **Seoul Semiconductor Co., Ltd.,**
Ansan-si (KR)

(72) Inventor: **Masami Nei,** Ansan-si (KR)

(73) Assignee: **Seoul Semiconductor Co., Ltd.,**
Ansan-si (KR)

(**) Term: **15 Years**

(21) Appl. No.: **29/552,464**

(22) Filed: **Jan. 22, 2016**

(30) **Foreign Application Priority Data**

Jul. 24, 2015 (KR) 30-2015-0037495

(51) **LOC (10) Cl.** **26-04**

(52) **U.S. Cl.**
USPC **D26/1**

(58) **Field of Classification Search**
USPC D26/1-4; 313/313, 315, 316, 317, 318,
313/493; 315/52, 53, 56, 57, 58
CPC H01J 5/48; H01J 5/50; H01J 19/54; H01J
15/00; F21V 5/00
See application file for complete search history.

(56) **References Cited**

U.S. PATENT DOCUMENTS

D508,573 S * 8/2005 Matsui D26/1
D636,900 S * 4/2011 Chou D26/1

FOREIGN PATENT DOCUMENTS

KR 30-0431311 11/2006
KR 30-0465248 10/2007
TW D116186 4/2007
TW D132816 S1 1/2010

OTHER PUBLICATIONS

Taiwanese Office Action issued on Jun. 15, 2016 for Design Application No. 105300298.
Taiwanese Office Action issued on Jun. 15, 2016 for Design Application No. 105300310.
Taiwanese Search Report issued on May 11, 2016 for Design Application No. 105300298.
Taiwanese Search Report issued on May 11, 2016 for Design Application No. 105300310.

* cited by examiner

Primary Examiner — Marcus Jackson

(74) *Attorney, Agent, or Firm* — H.C. Park & Associates, PLC

(57) **CLAIM**

The ornamental design for a light emitting diode, as shown and described.

DESCRIPTION

FIG. 1 is a perspective view of a light emitting diode showing my new design according to a first embodiment; FIG. 2 is a front view thereof; FIG. 3 is a rear side view thereof; FIG. 4 is a left side view thereof; FIG. 5 is a right side view thereof; FIG. 6 is a top plan view thereof; FIG. 7 is a bottom plan view thereof; FIG. 8 is a perspective view of the light emitting diode showing my design according to a second embodiment; FIG. 9 is a front view thereof; FIG. 10 is a rear side view thereof; FIG. 11 is a left side view thereof; FIG. 12 is a right side view thereof; FIG. 13 is a top plan view thereof; and, FIG. 14 is a bottom plan view thereof.

The broken lines are used to illustrate boundaries of the article that form no part of the claimed design.

1 Claim, 8 Drawing Sheets

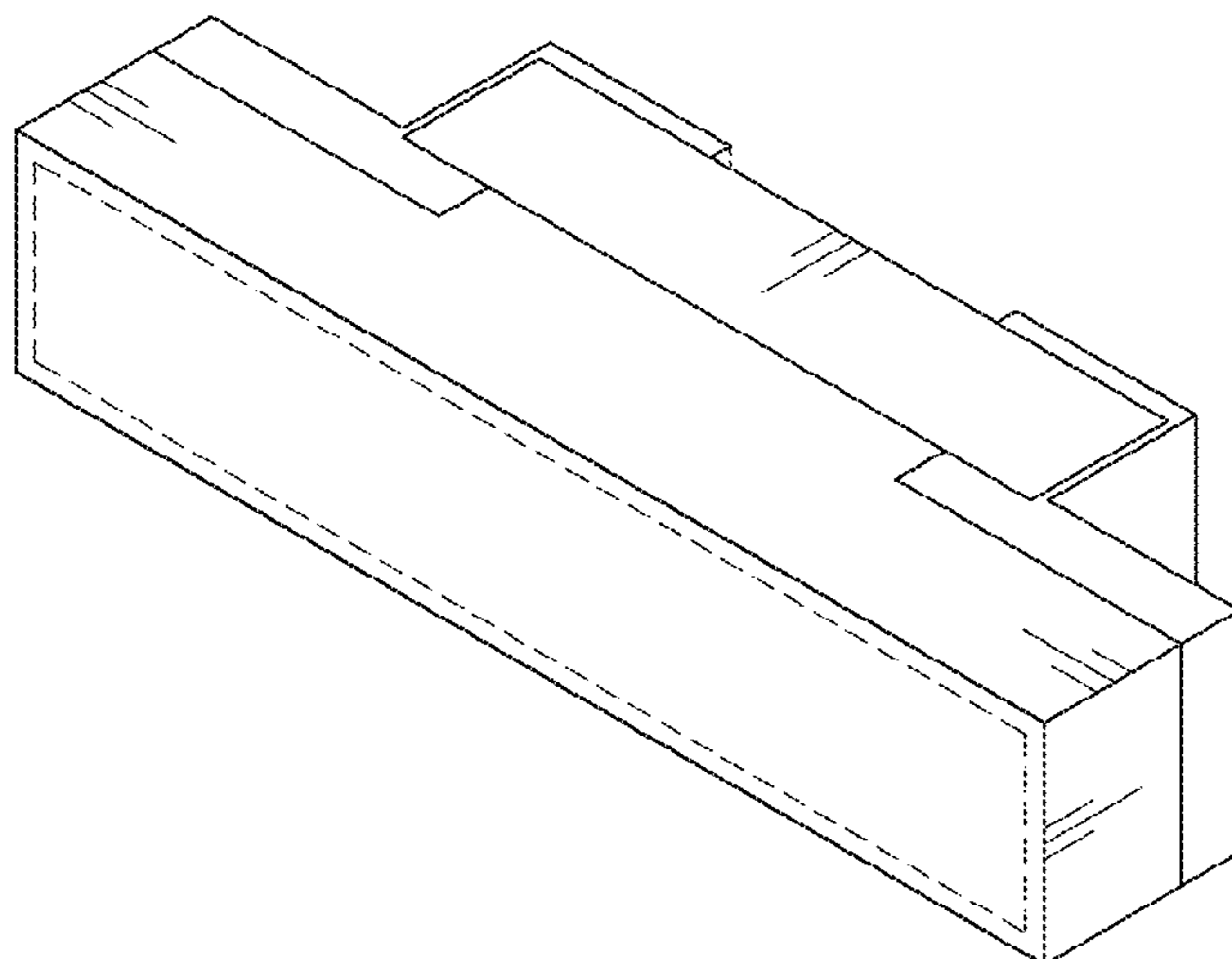


Fig. 1

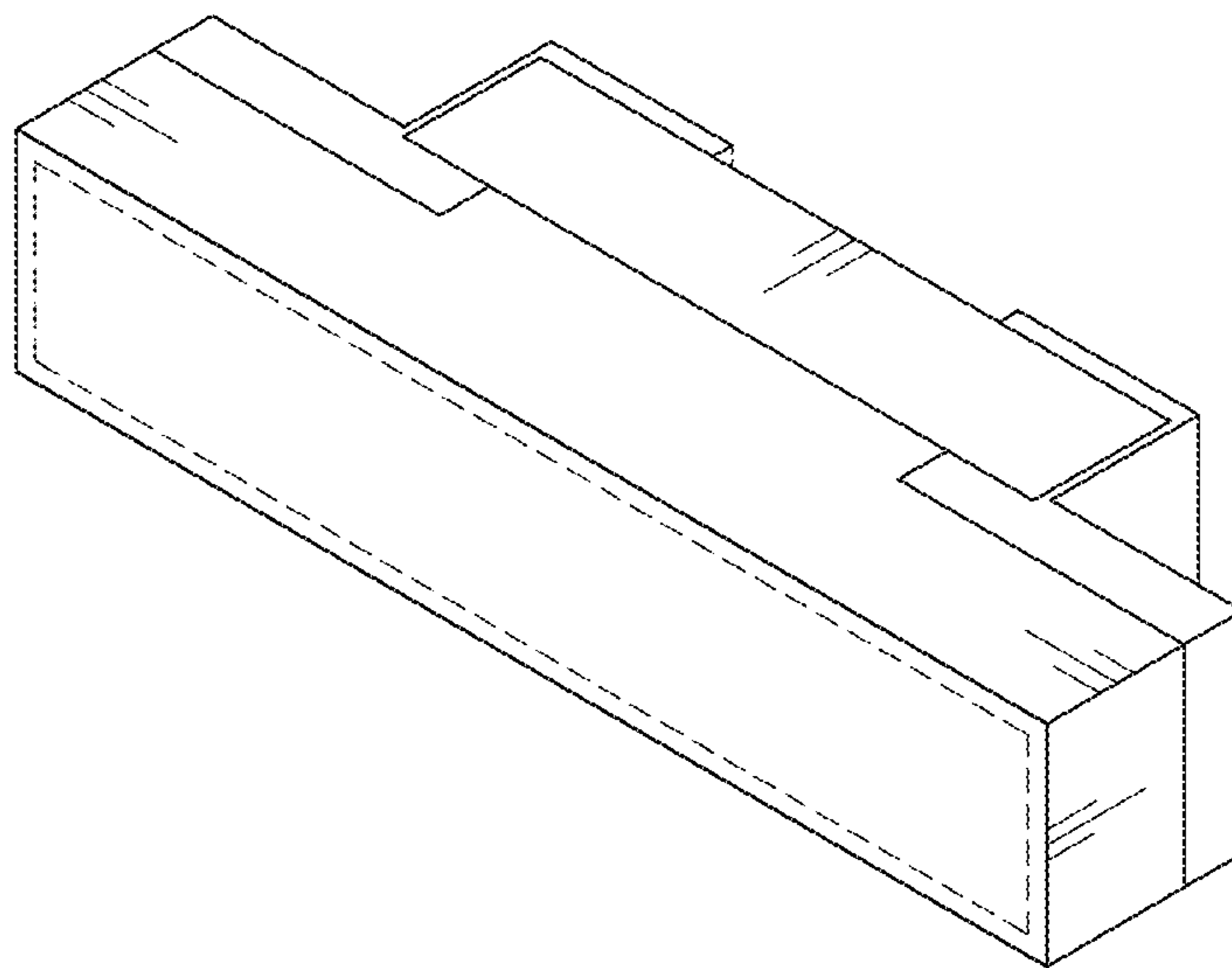


Fig. 2

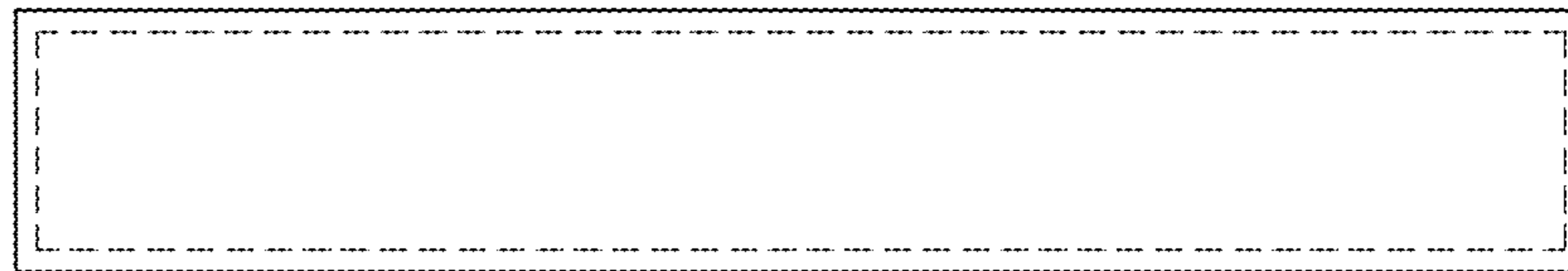


Fig. 3



Fig. 4

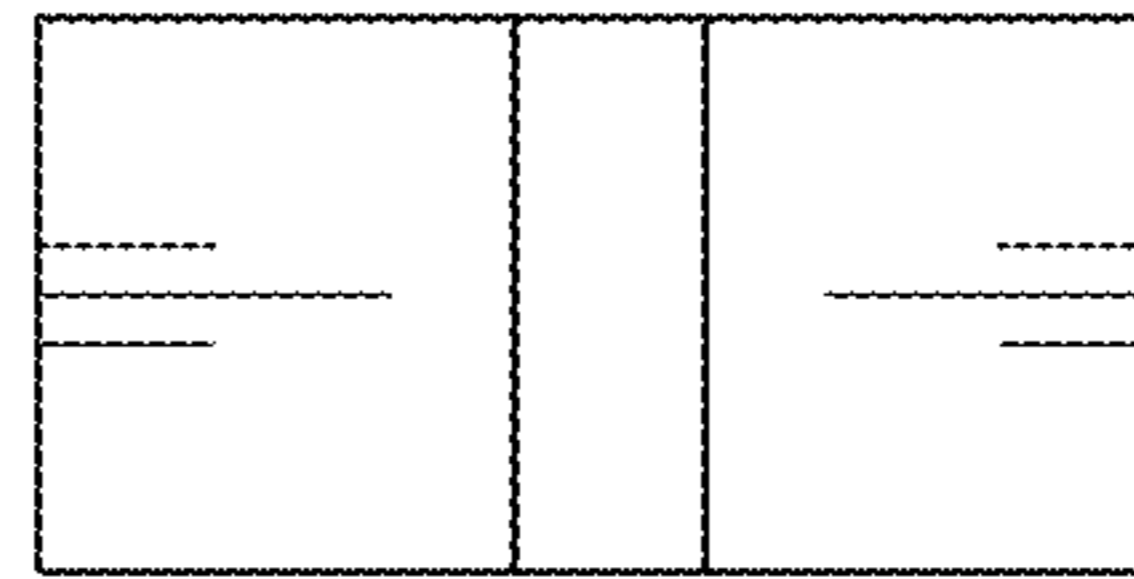


Fig. 5

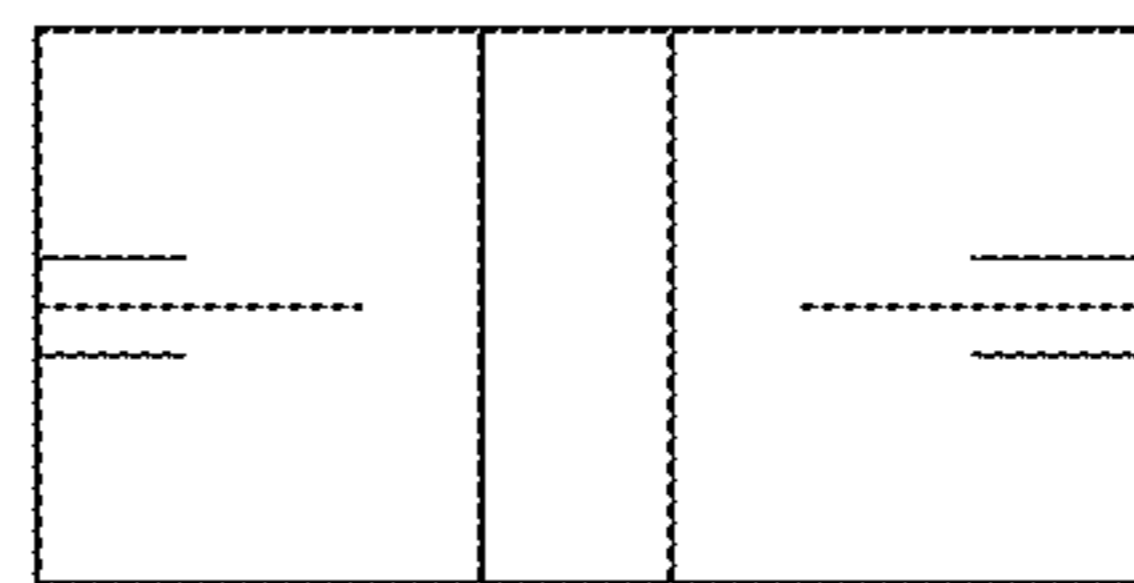


Fig. 6

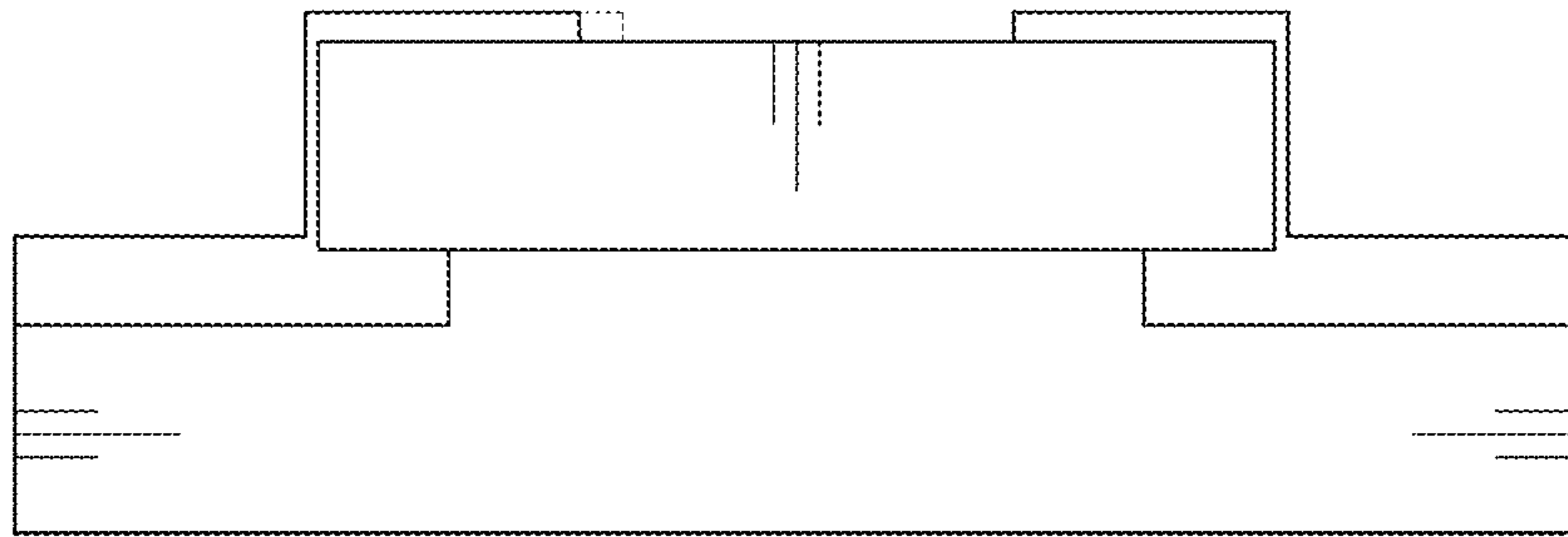


Fig. 7

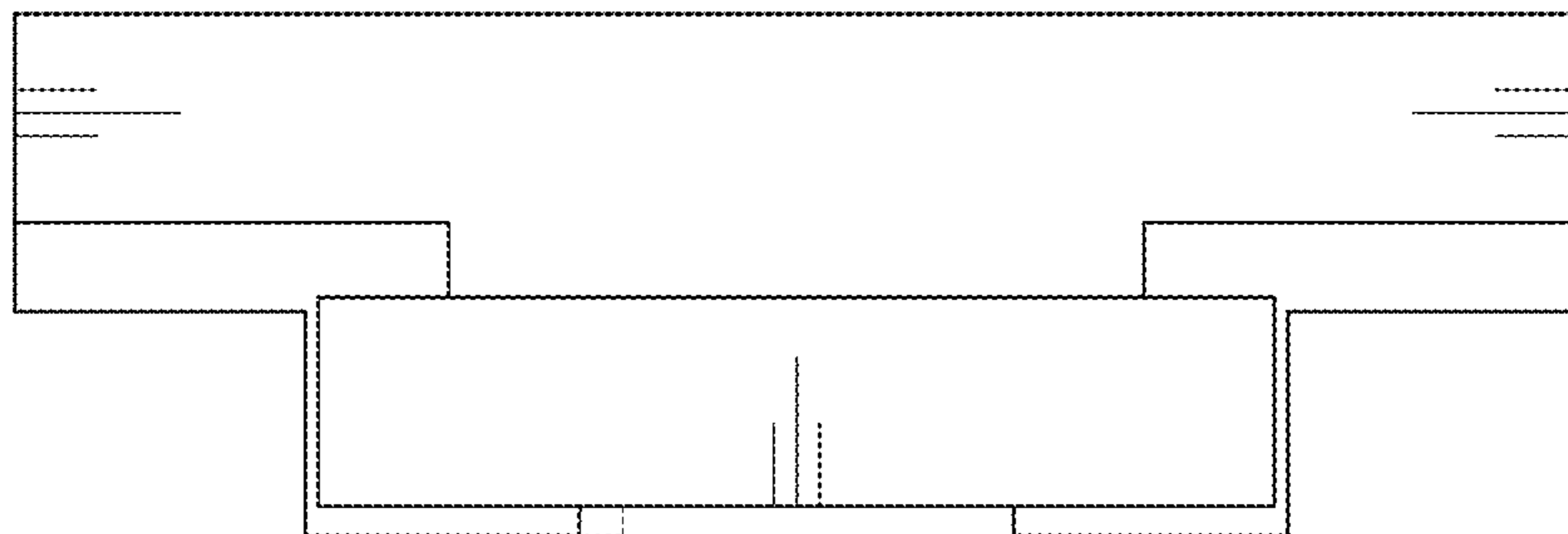


Fig. 8

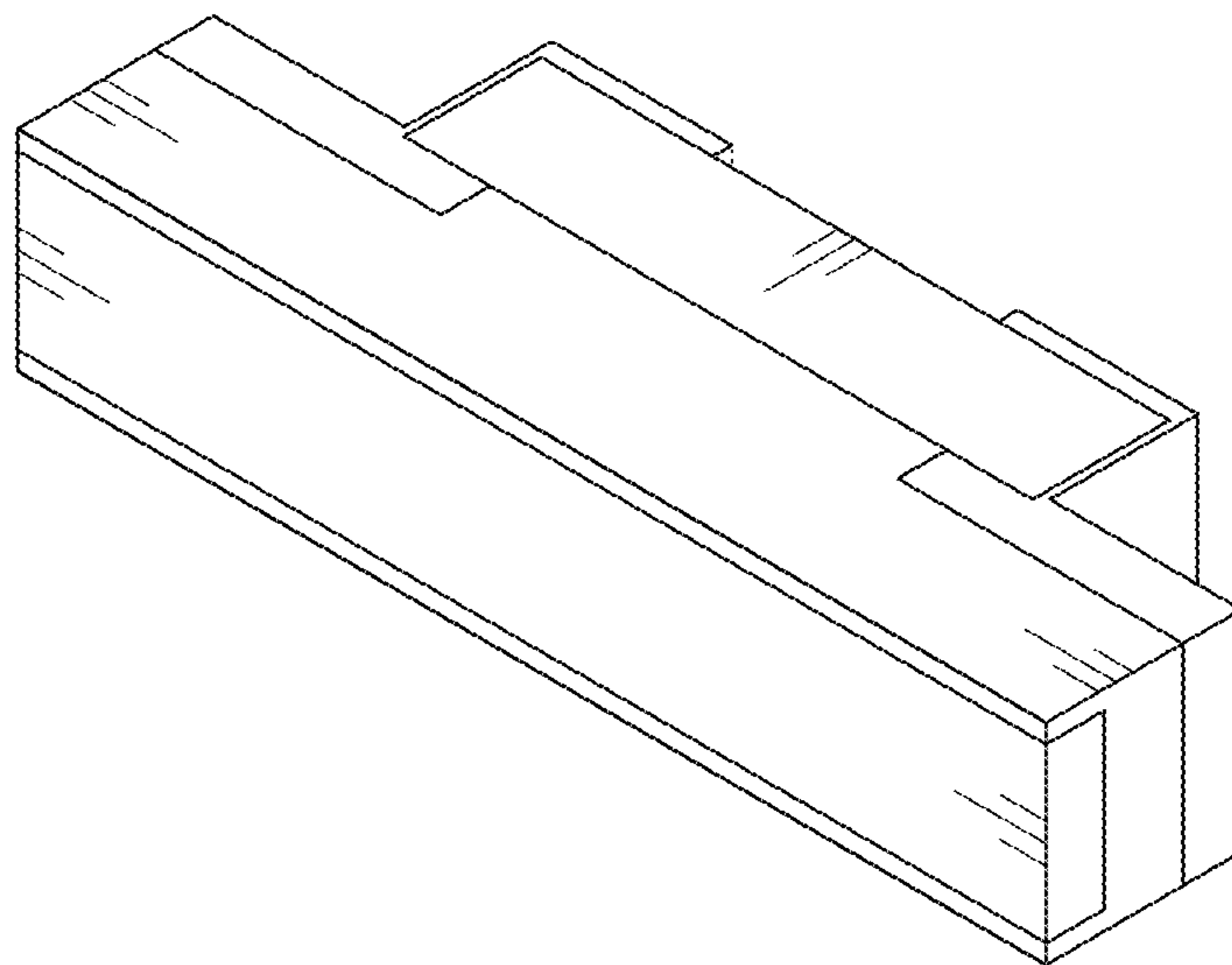


Fig. 9

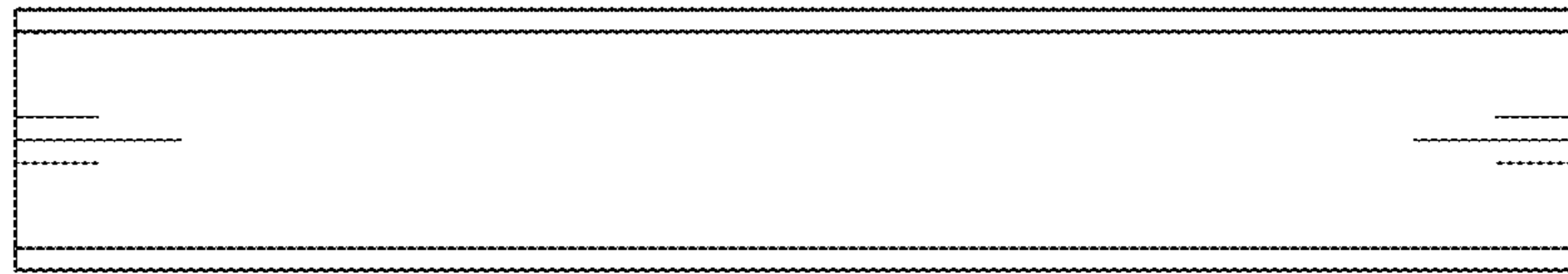


Fig. 10



Fig. 11

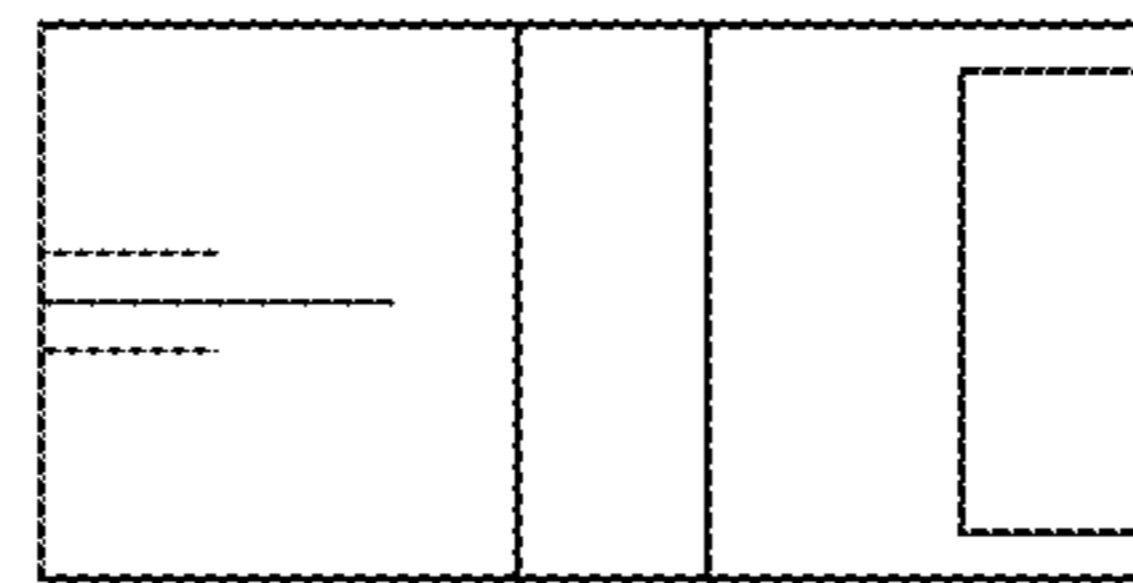


Fig. 12

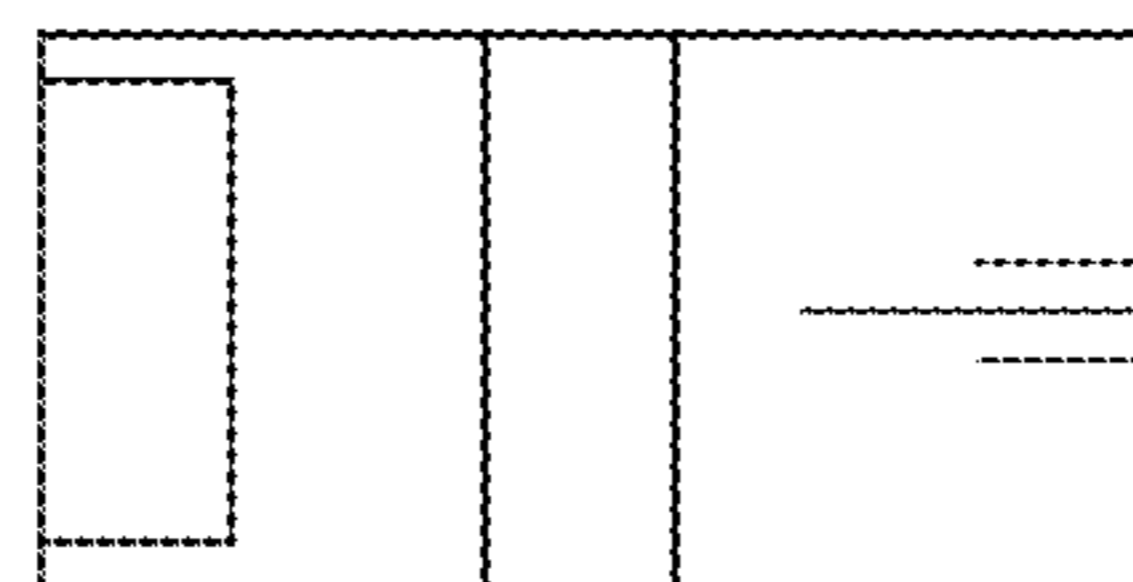


Fig. 13

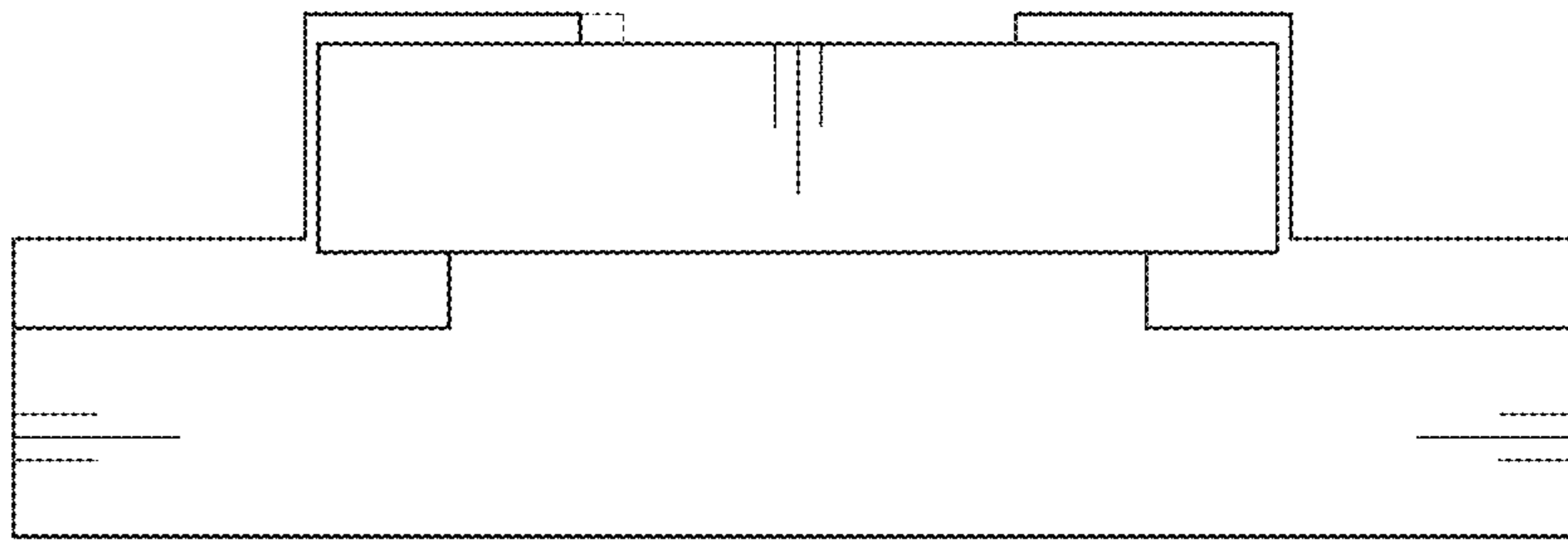


Fig. 14

