



US00D785211S

(12) **United States Design Patent**
Constantine et al.

(10) **Patent No.:** **US D785,211 S**

(45) **Date of Patent:** **** Apr. 25, 2017**

- (54) **DECORATIVE MOLDING**
- (71) Applicant: **BROWN WOOD, INC.**, Lincolnwood, IL (US)
- (72) Inventors: **Kathryn Ann Constantine**, Lincolnwood, IL (US); **Christopher Michael Tress**, Louisville, KY (US); **Doug Teeples**, Syracuse, UT (US)
- (73) Assignee: **BROWN WOOD, INC.**, Lincolnwood, IL (US)
- (**) Term: **15 Years**
- (21) Appl. No.: **29/527,402**
- (22) Filed: **May 19, 2015**
- (51) **LOC (10) Cl.** **25-01**
- (52) **U.S. Cl.**
USPC **D25/136**
- (58) **Field of Classification Search**
USPC D25/119-125, 136, 138, 164; D6/300, D6/492; D32/40
CPC E04F 19/022; E04F 19/0228; E04F 19/04; E04F 19/02; E04F 19/026; E04F 19/028; E04D 13/05; B44C 5/04
See application file for complete search history.

- D659,319 S * 5/2012 Ray D32/40
- D659,436 S * 5/2012 Smock D6/703.2
- D696,426 S * 12/2013 Krieger D25/119
- D720,474 S * 12/2014 Gori D25/119
- D720,475 S * 12/2014 Gori D25/119
- D720,867 S * 1/2015 Agyin D25/119
- D725,294 S * 3/2015 Cooke D25/119
- 2010/0263320 A1* 10/2010 Price E04F 19/02 52/716.1
- 2014/0345216 A1* 11/2014 Kartler E04F 13/0733 52/288.1

* cited by examiner

Primary Examiner — Eric Goodman

Assistant Examiner — Amy Wierenga

(74) *Attorney, Agent, or Firm* — Marshall, Gerstein & Borun LLP

(57) **CLAIM**

The ornamental design for a decorative molding, as shown and described.

DESCRIPTION

FIG. 1 is a back, left-side, and bottom view of decorative molding showing the new design.

FIG. 2 is a back elevation view of the decorative molding.

FIG. 3 is a left-side elevation view of the decorative molding.

FIG. 4 is a bottom plan view of the decorative molding.

FIG. 5 is a back, left-side, and bottom of the decorative molding, with lighting attached.

FIG. 6 is a left-side elevation view, with the lighting attached; and,

FIGS. 7-10 are left-side elevation views of other shapes of decorative molding that have a similar surface appearance and length as shown in the other views.

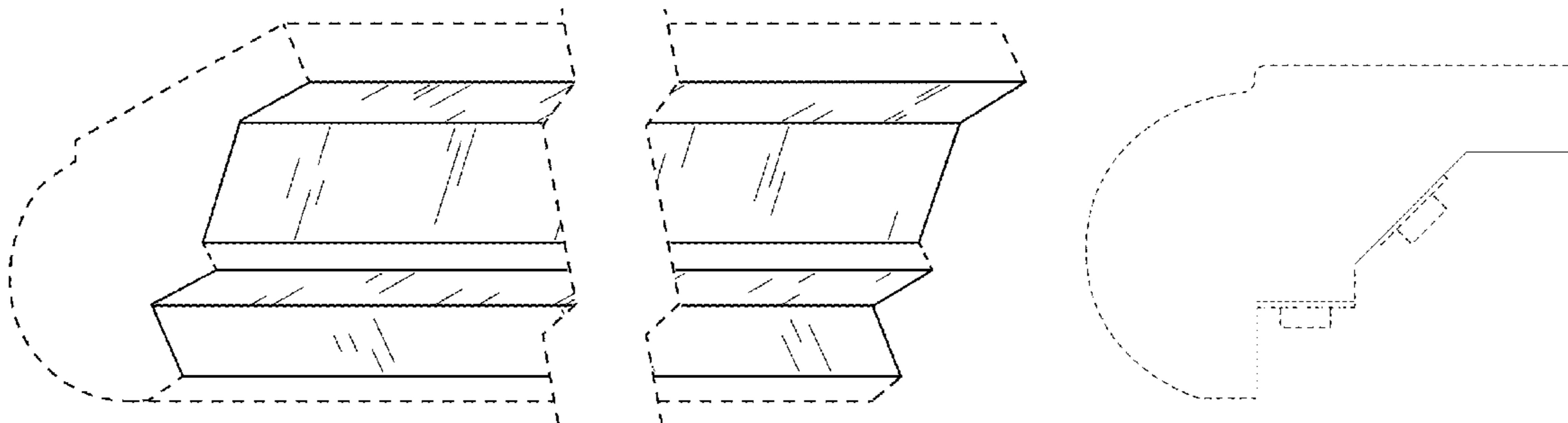
The broken lines in the drawings represent portions of the decorative molding that form no part of the claimed design.

1 Claim, 4 Drawing Sheets

(56) **References Cited**

U.S. PATENT DOCUMENTS

- D240,692 S * 7/1976 Vihma D25/119
- D300,465 S * 3/1989 Nicholas D25/119
- D320,090 S * 9/1991 Ermellini D25/136
- D345,020 S * 3/1994 Audia D25/136
- D373,431 S * 9/1996 Douglas D25/136
- D490,167 S * 5/2004 Eichner D25/119
- D658,833 S * 5/2012 Ray D32/40
- D659,316 S * 5/2012 Ray D32/40
- D659,317 S * 5/2012 Ray D32/40
- D659,318 S * 5/2012 Ray D32/40



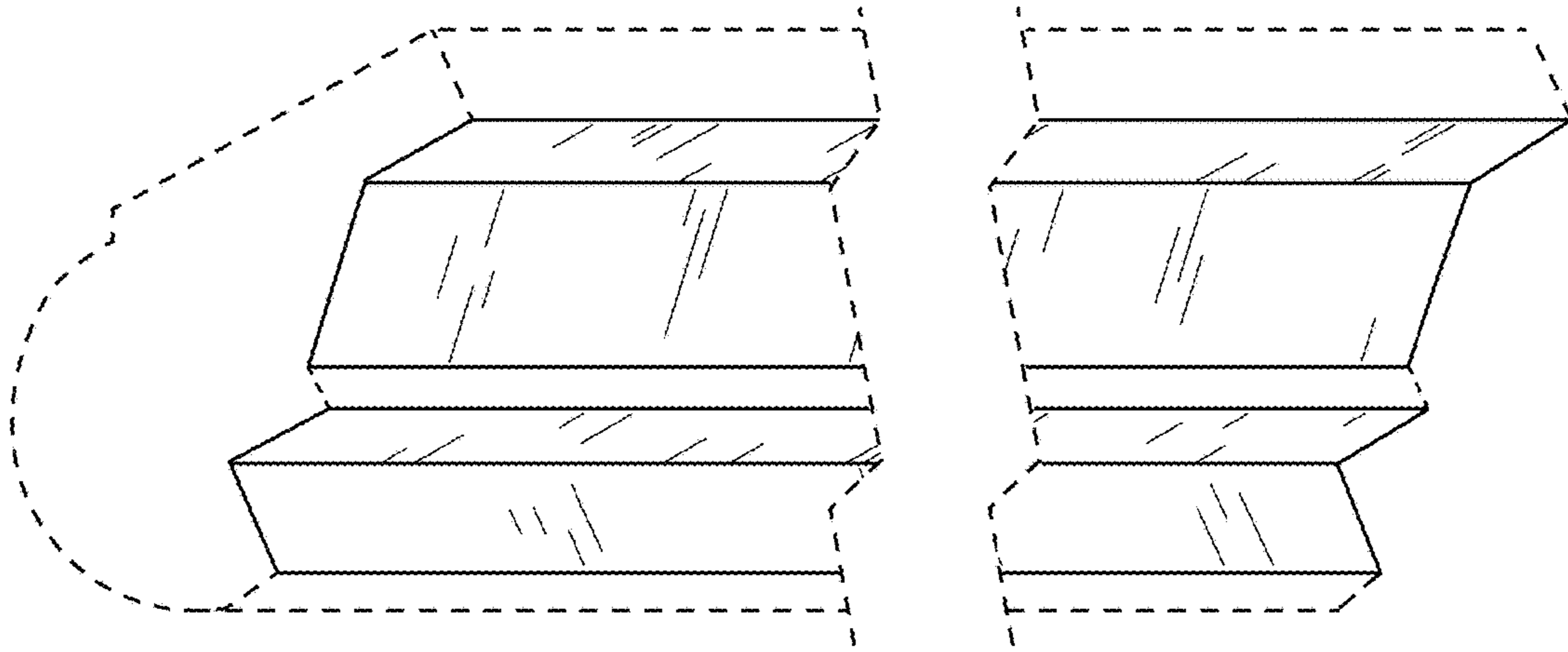


FIG. 1

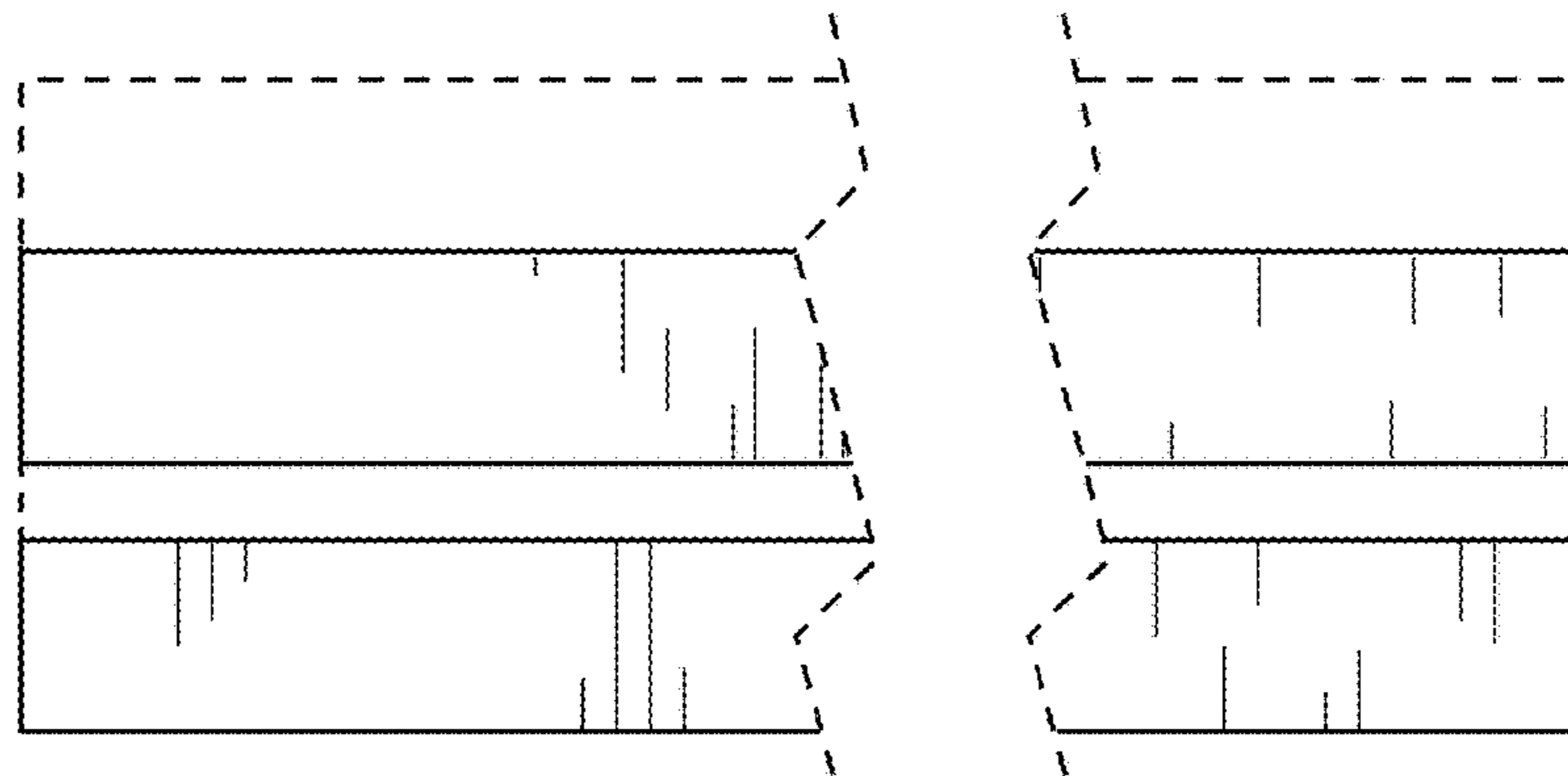


FIG. 2

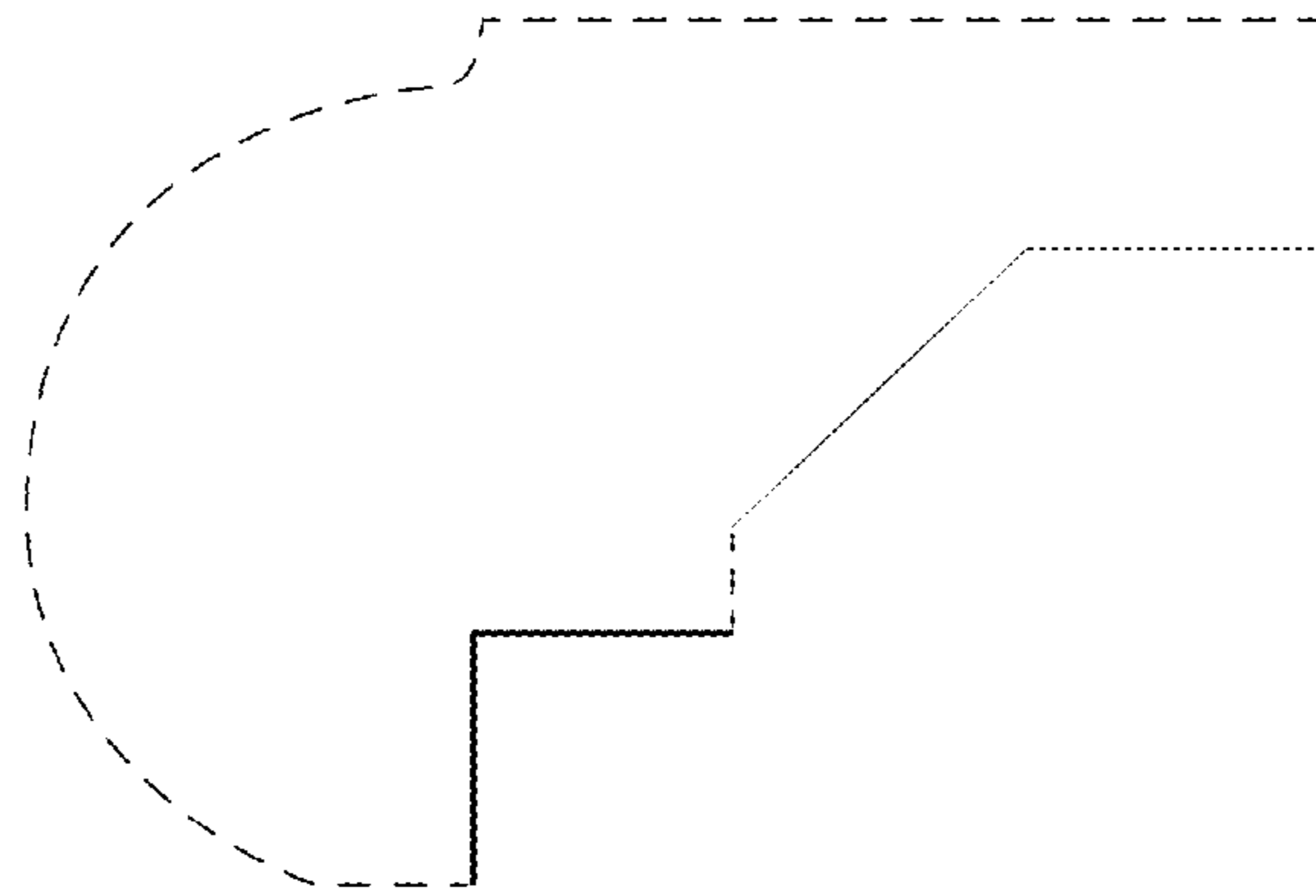


FIG. 3

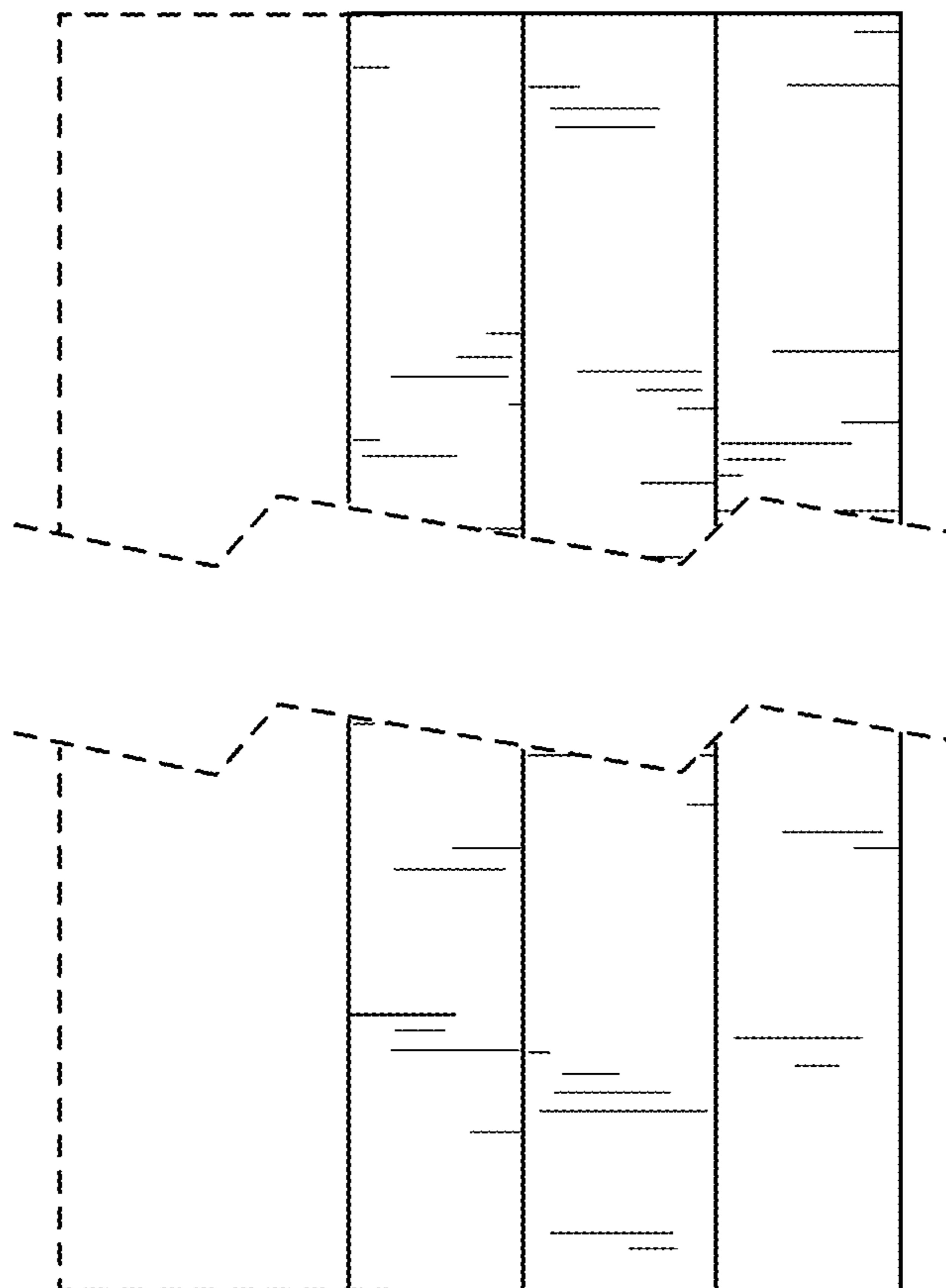


FIG. 4

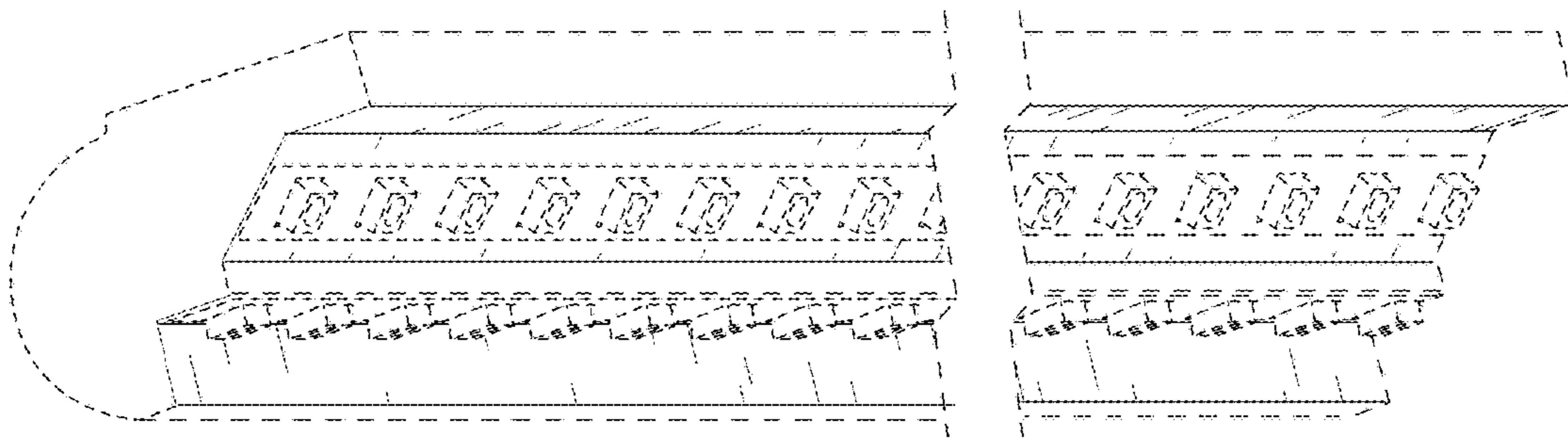


FIG. 5

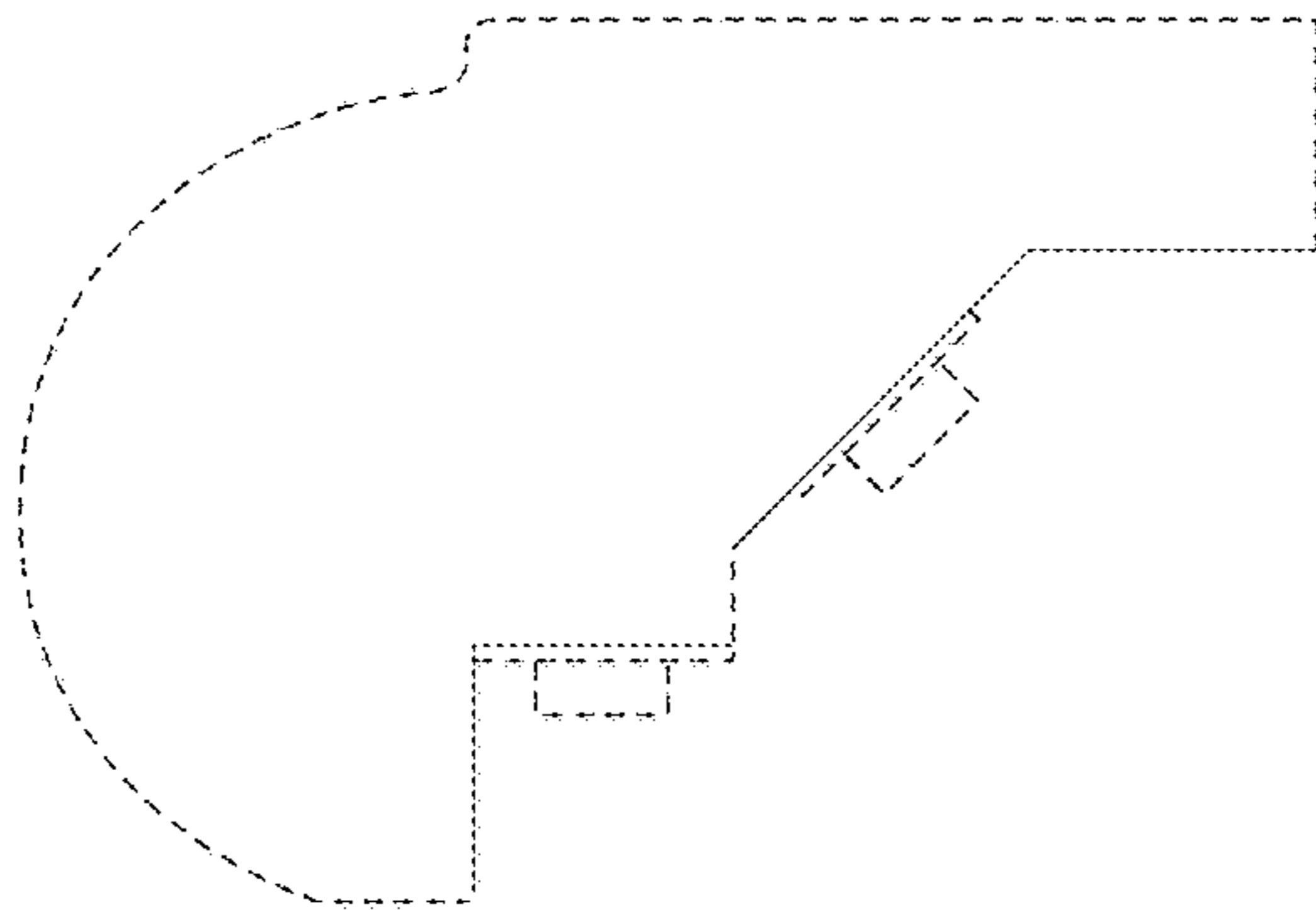


FIG. 6

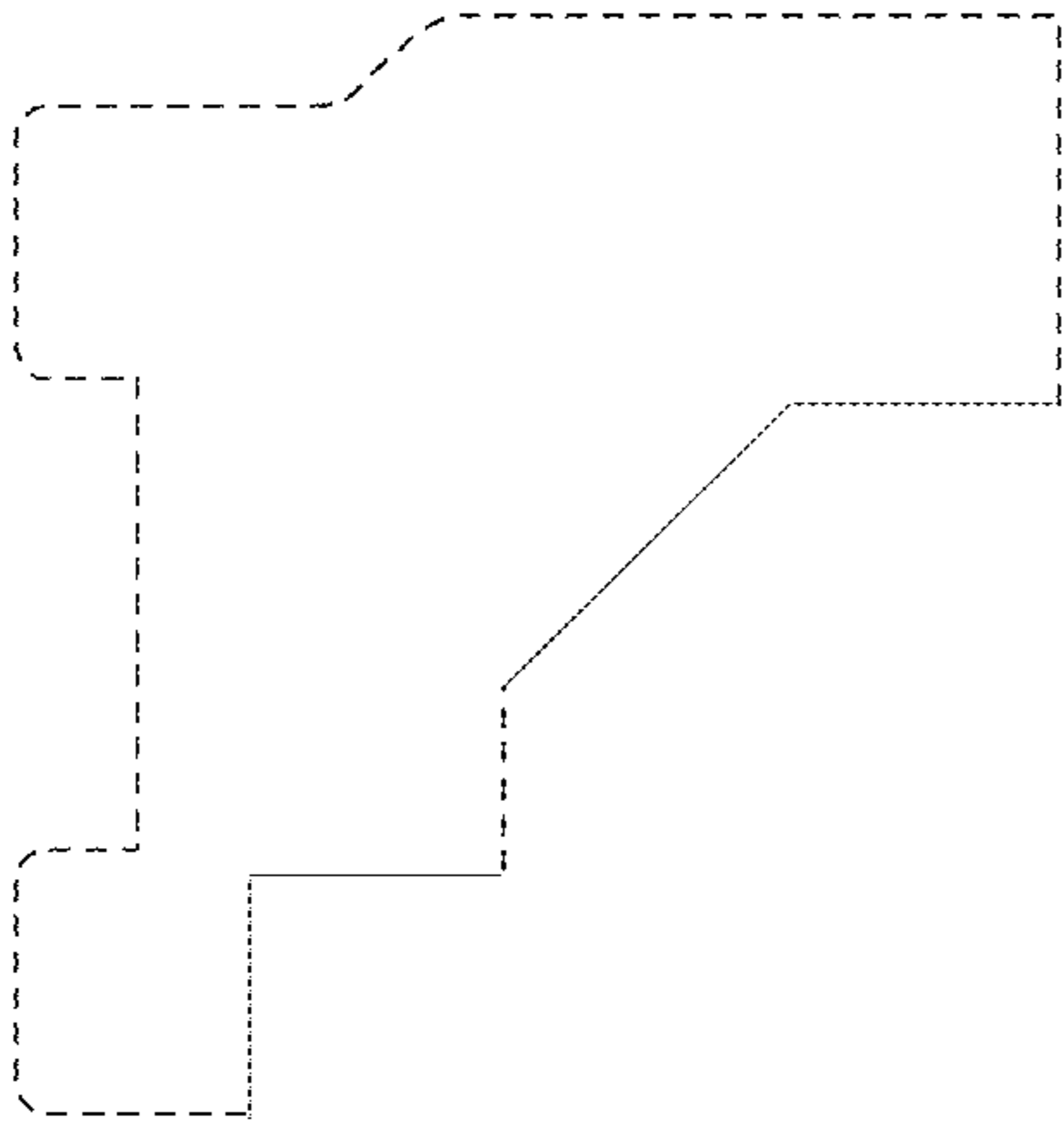


FIG. 7

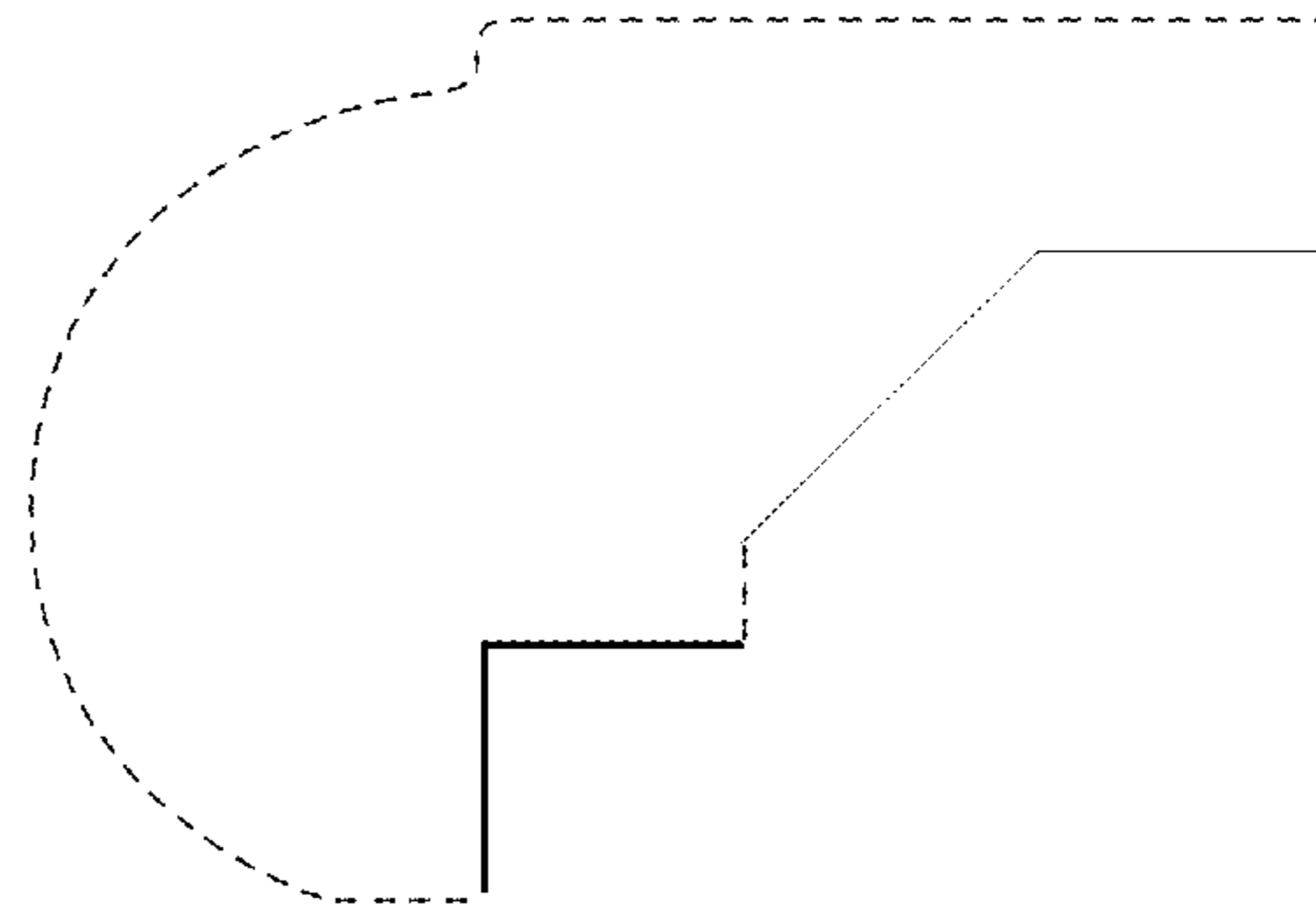


FIG. 8

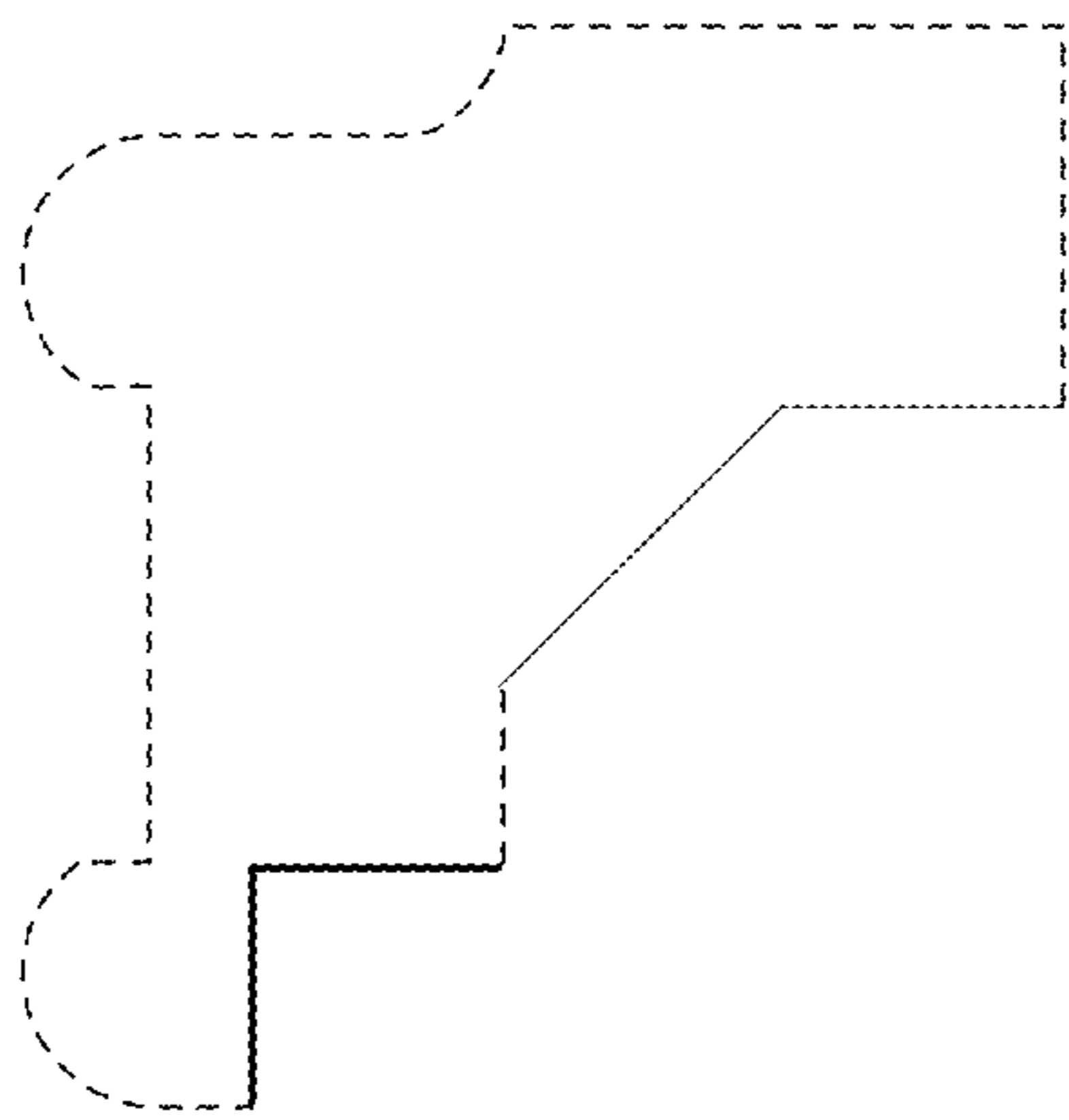


FIG. 9

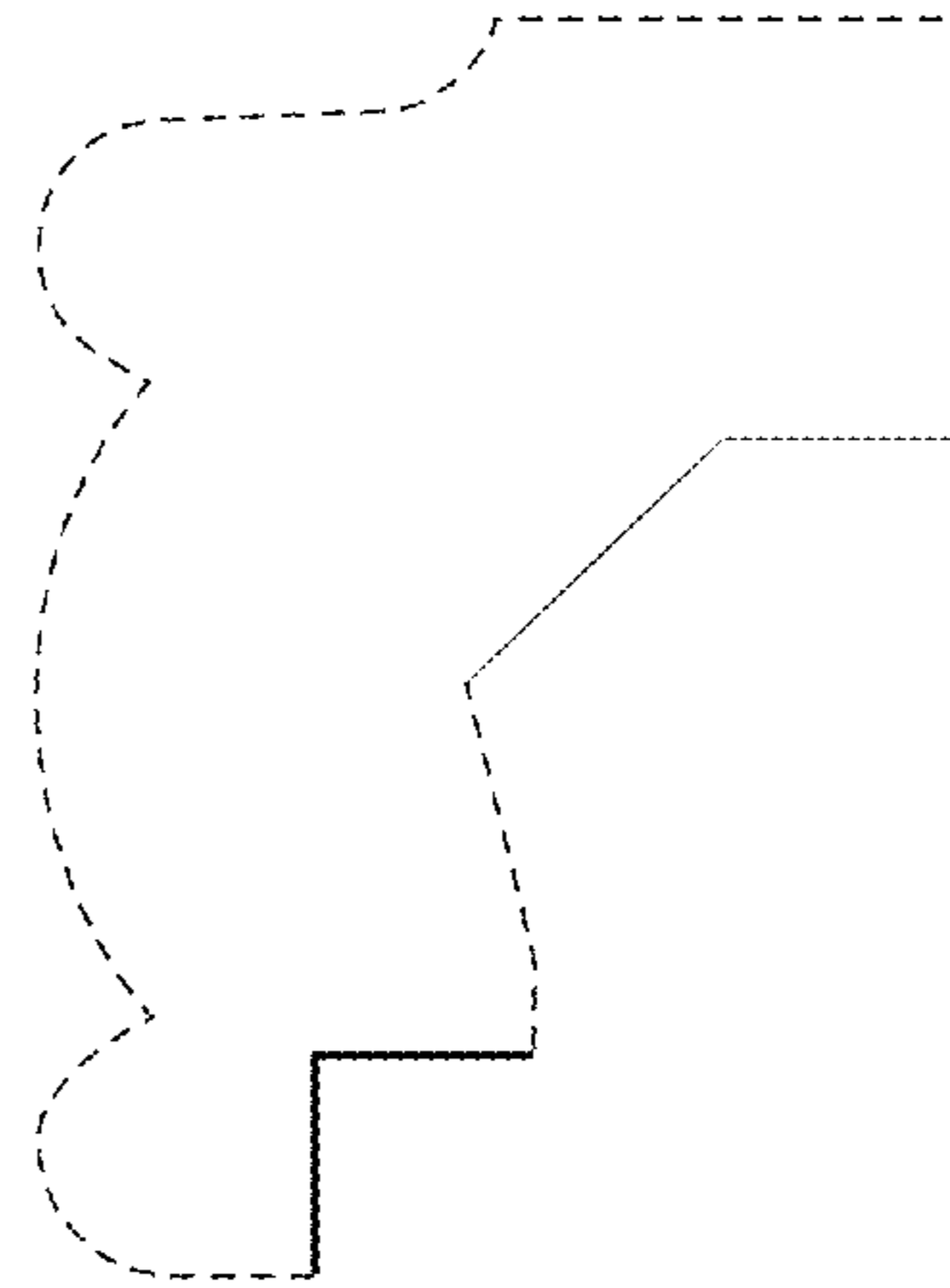


FIG. 10