



US00D785210S

(12) **United States Design Patent**
Honein

(10) **Patent No.:** **US D785,210 S**

(45) **Date of Patent:** **** Apr. 25, 2017**

(54) **PYRAMID HANDRAIL SUPPORT**

(71) Applicant: **Jad Honein**, Seattle, WA (US)

(72) Inventor: **Jad Honein**, Seattle, WA (US)

(**) Term: **15 Years**

(21) Appl. No.: **29/546,322**

(22) Filed: **Nov. 20, 2015**

(51) **LOC (10) Cl.** **25-01**

(52) **U.S. Cl.**
USPC **D25/133**

(58) **Field of Classification Search**
USPC D25/125, 126, 127, 132, 133, 134;
256/63, 64, 65.01, 65.03, 65.05, 65.06;
D21/501-505

See application file for complete search history.

(56) **References Cited**

U.S. PATENT DOCUMENTS

3,472,489	A	*	10/1969	Baylin	E04F 11/1842	256/22
D272,473	S	*	1/1984	Larsson	D25/133	
D316,430	S	*	4/1991	Andersen	D21/505	
D359,997	S	*	7/1995	Knudsen	D21/505	
D475,145	S	*	5/2003	Melvin	D25/126	
D552,264	S	*	10/2007	Collins, IV	D25/133	
D582,572	S	*	12/2008	Hill, III	D25/133	

D583,965	S	*	12/2008	Castellanos	D25/121
D594,993	S	*	6/2009	Becht, IV	D25/125
D754,260	S	*	4/2016	Chen	D21/484
2003/0038281	A1	*	2/2003	Roark	E04H 17/08
						256/63

* cited by examiner

Primary Examiner — Garth Rademaker

Assistant Examiner — Samantha Q Lawrence

(74) *Attorney, Agent, or Firm* — Seed IP Law Group LLP

(57) **CLAIM**

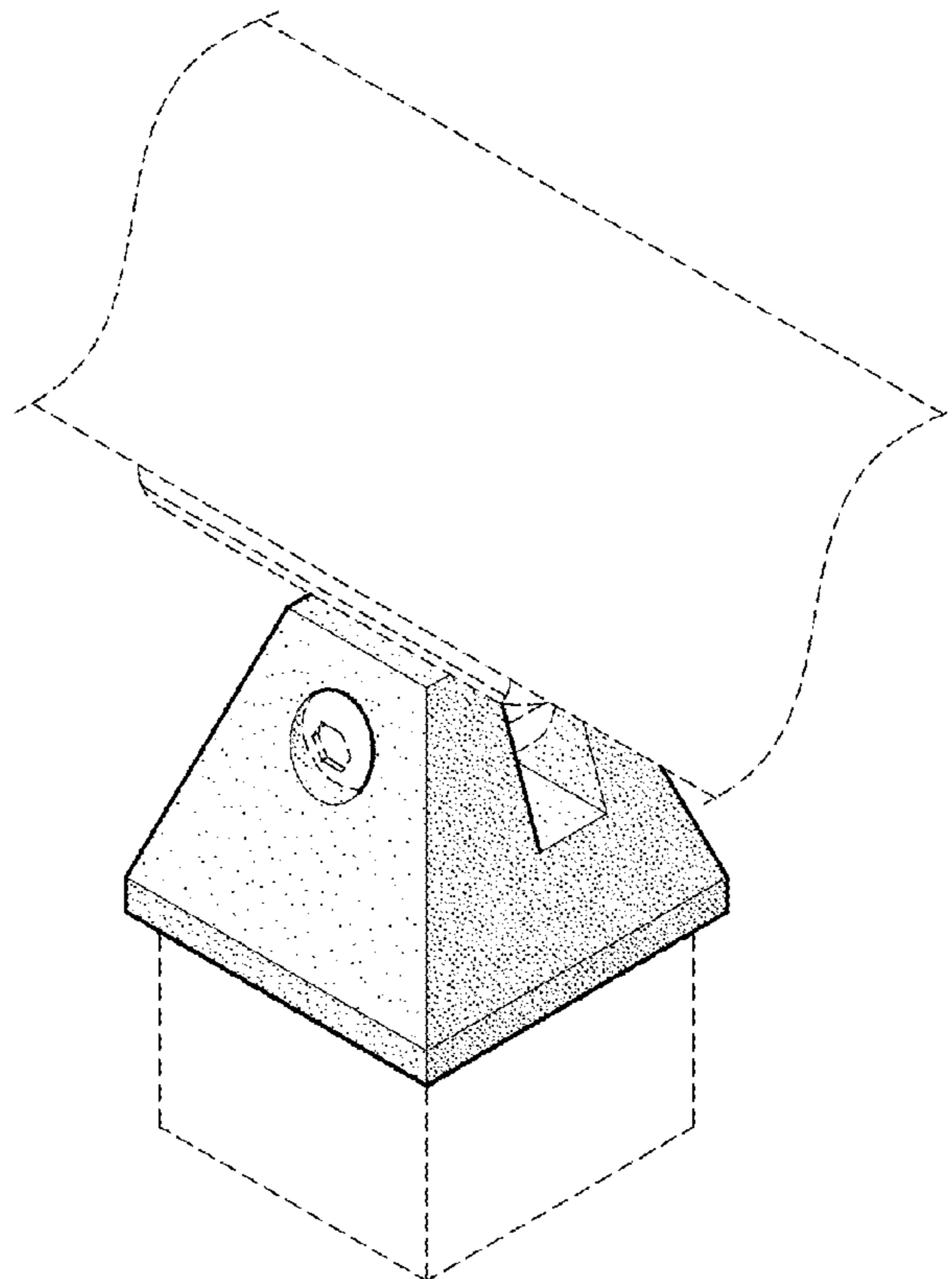
The ornamental design for a pyramid handrail support, as shown and described.

DESCRIPTION

FIG. 1 is a top isometric view of a pyramid handrail support. FIG. 2 is a bottom isometric view thereof. FIG. 3 is a front elevational view thereof. FIG. 4 is a back elevational view thereof. FIG. 5 is a left elevational view thereof. FIG. 6 is a right elevational view thereof. FIG. 7 is a top plan view thereof. FIG. 8 is a bottom plan view thereof; and, FIG. 9 is a top isometric view thereof, shown in an alternate environment.

The broken lines shown in the figures illustrate environment and form no part of the claimed design.

1 Claim, 3 Drawing Sheets



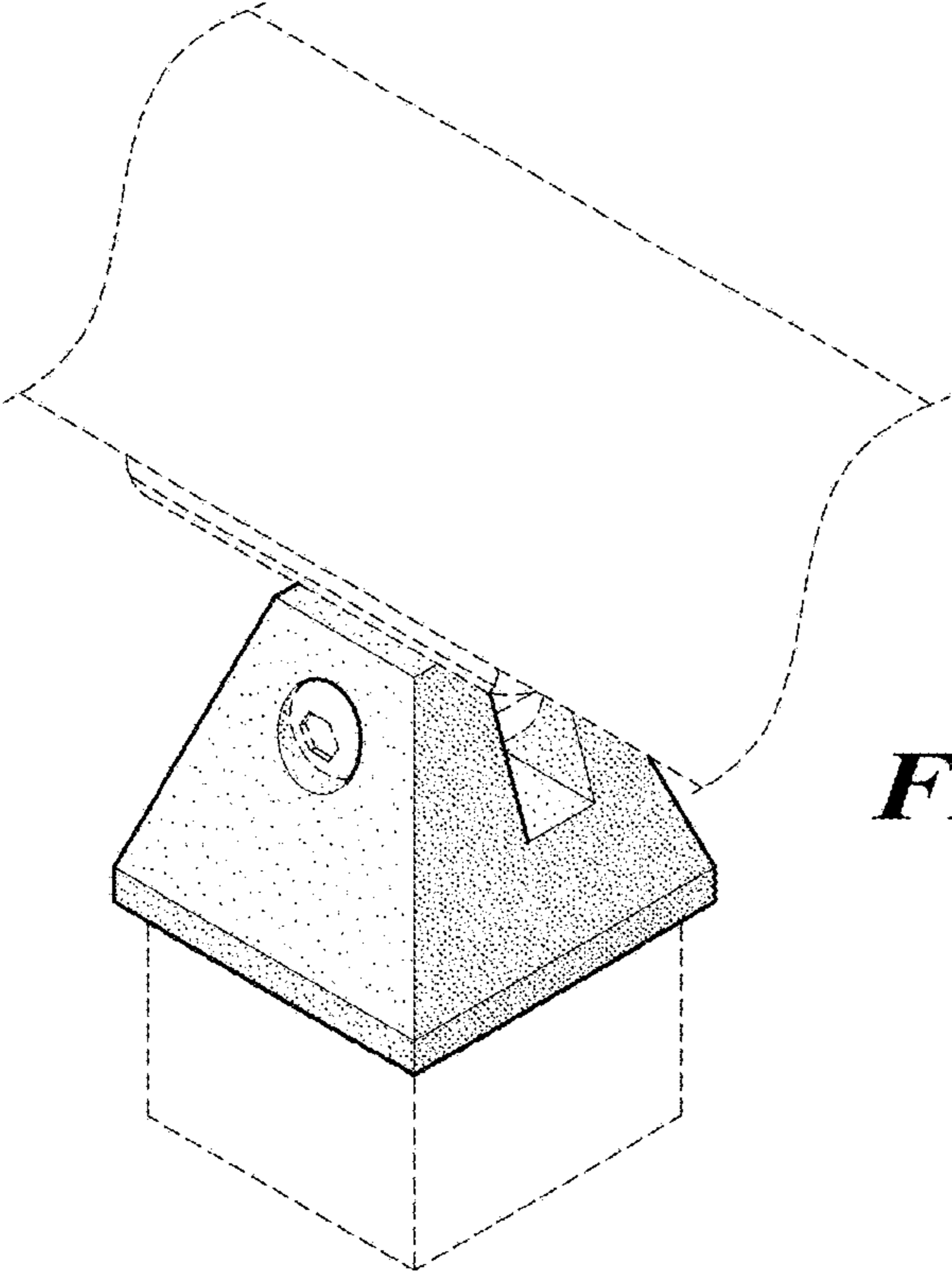


FIG. 1

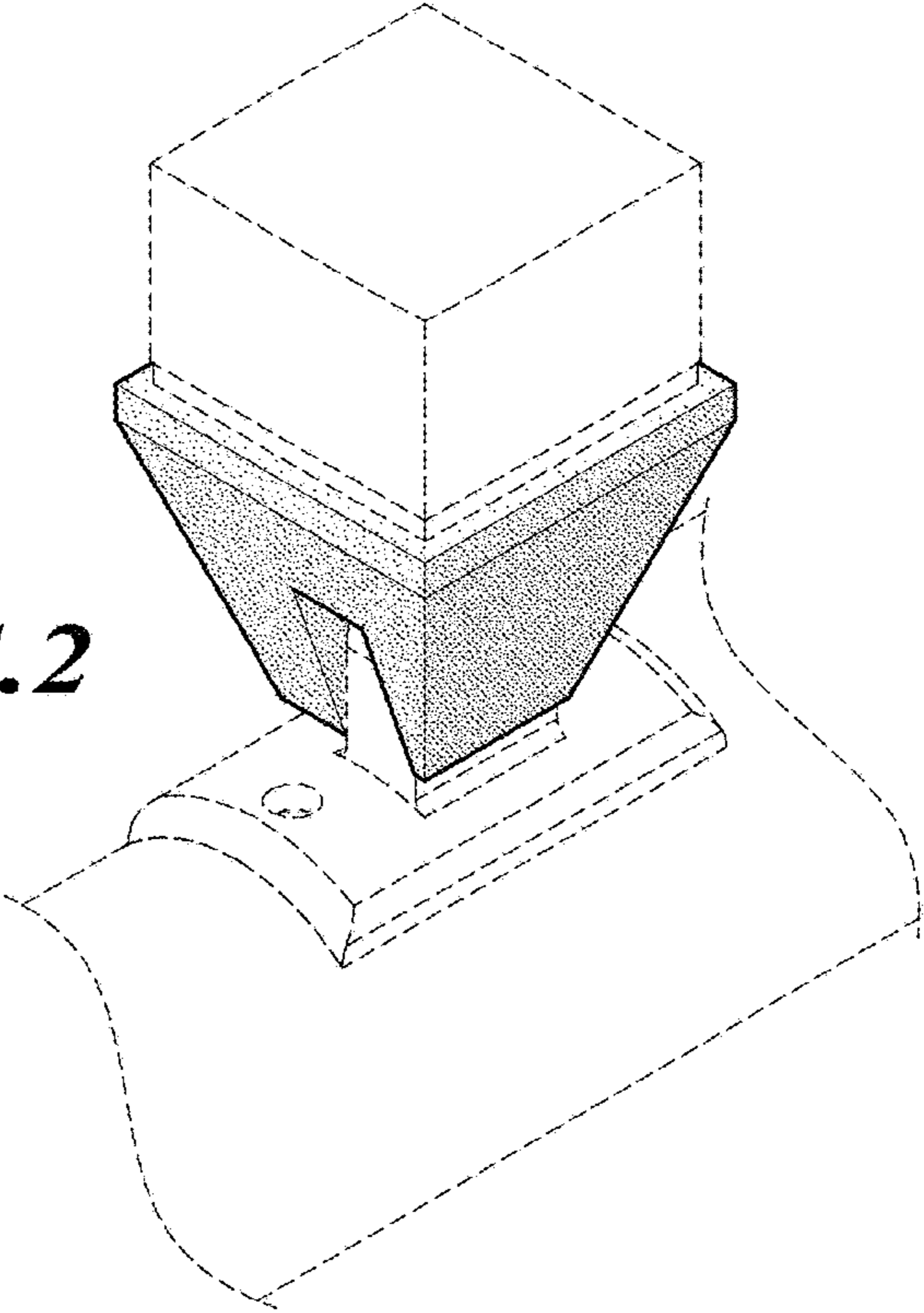


FIG. 2

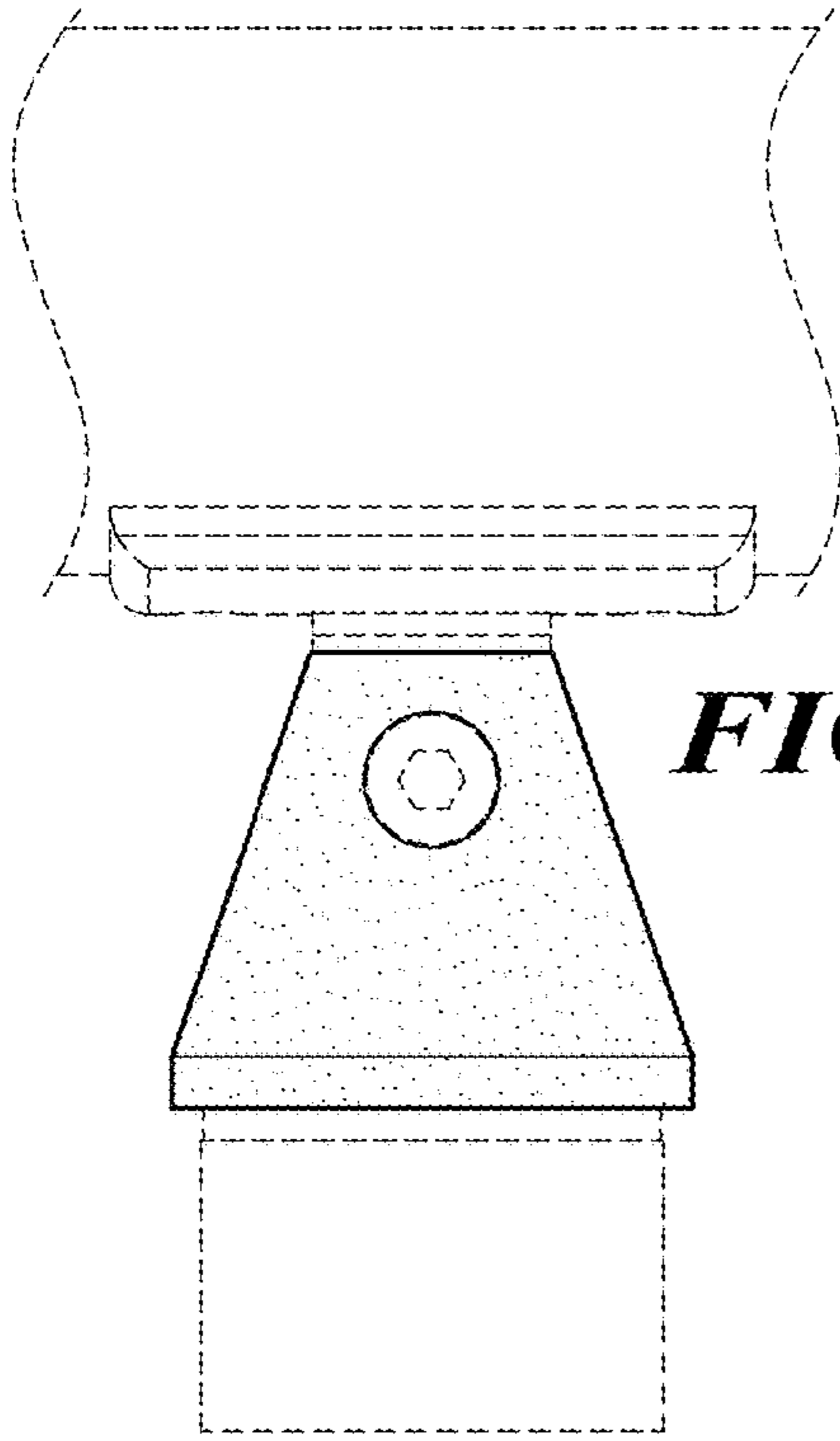


FIG. 3

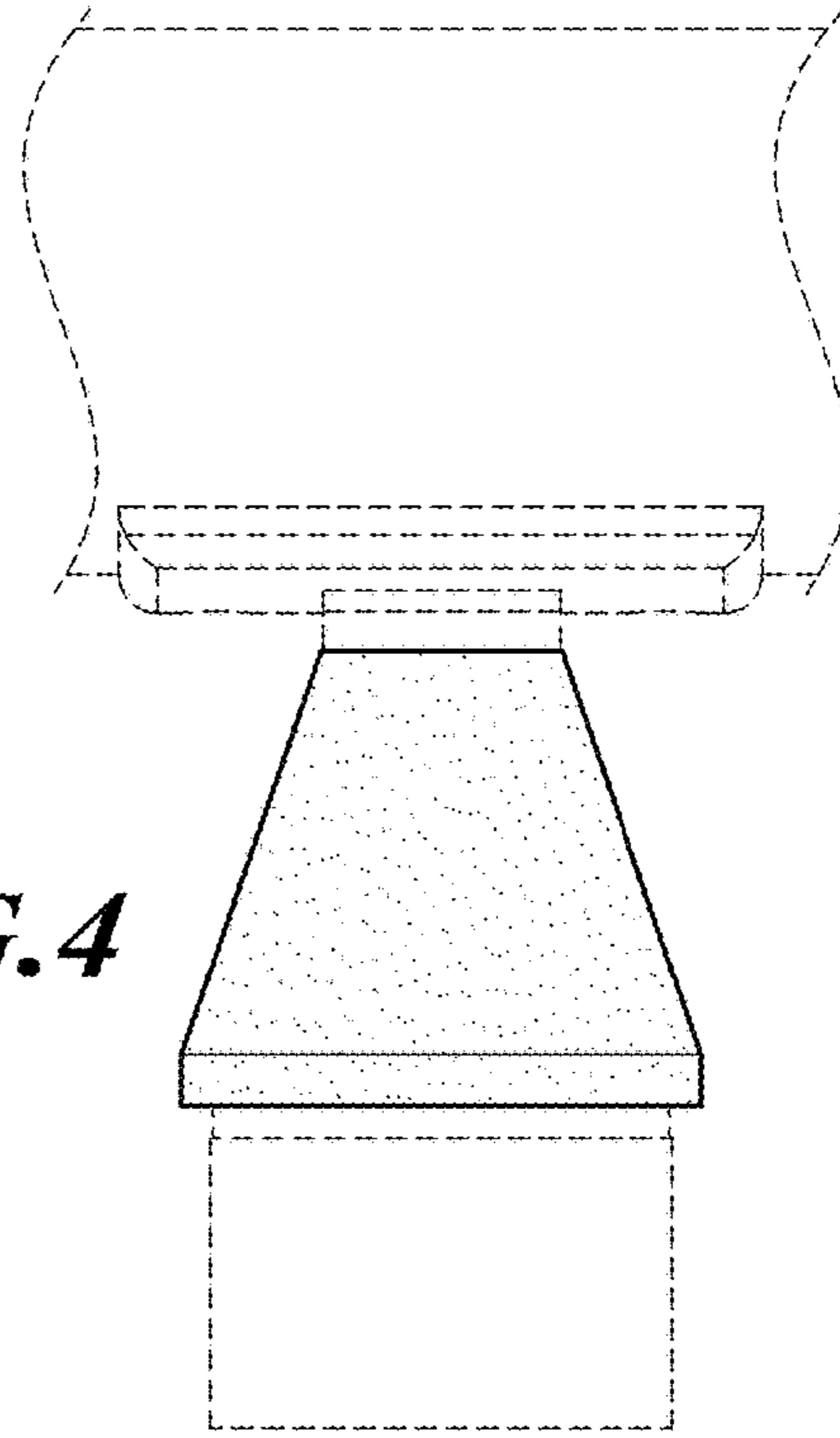


FIG. 4

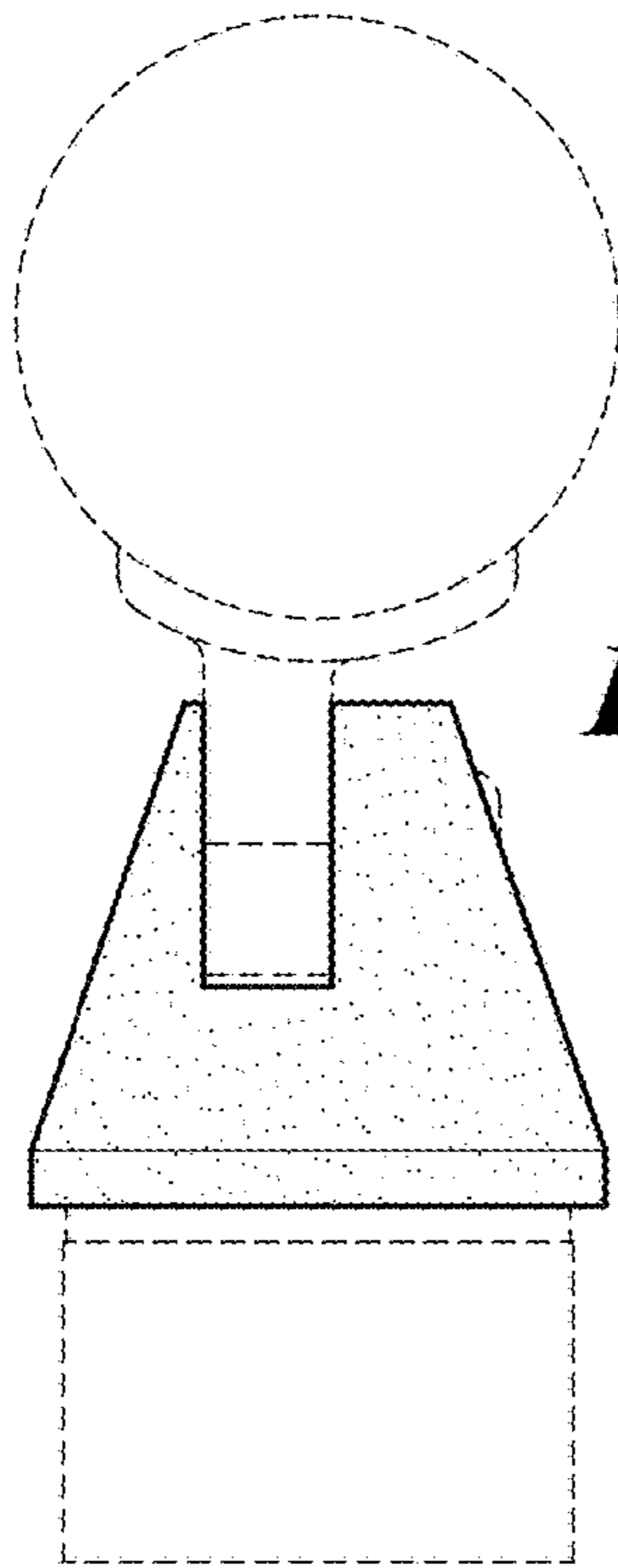


FIG. 5

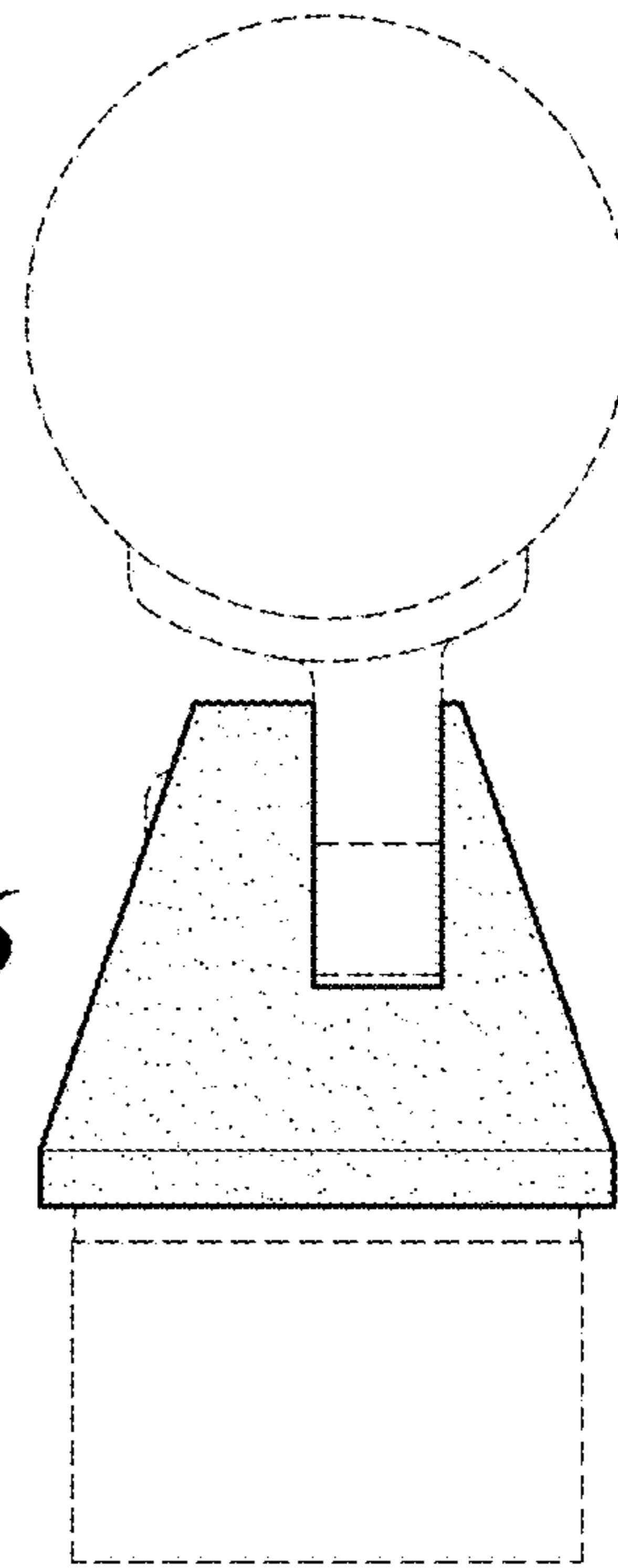


FIG. 6

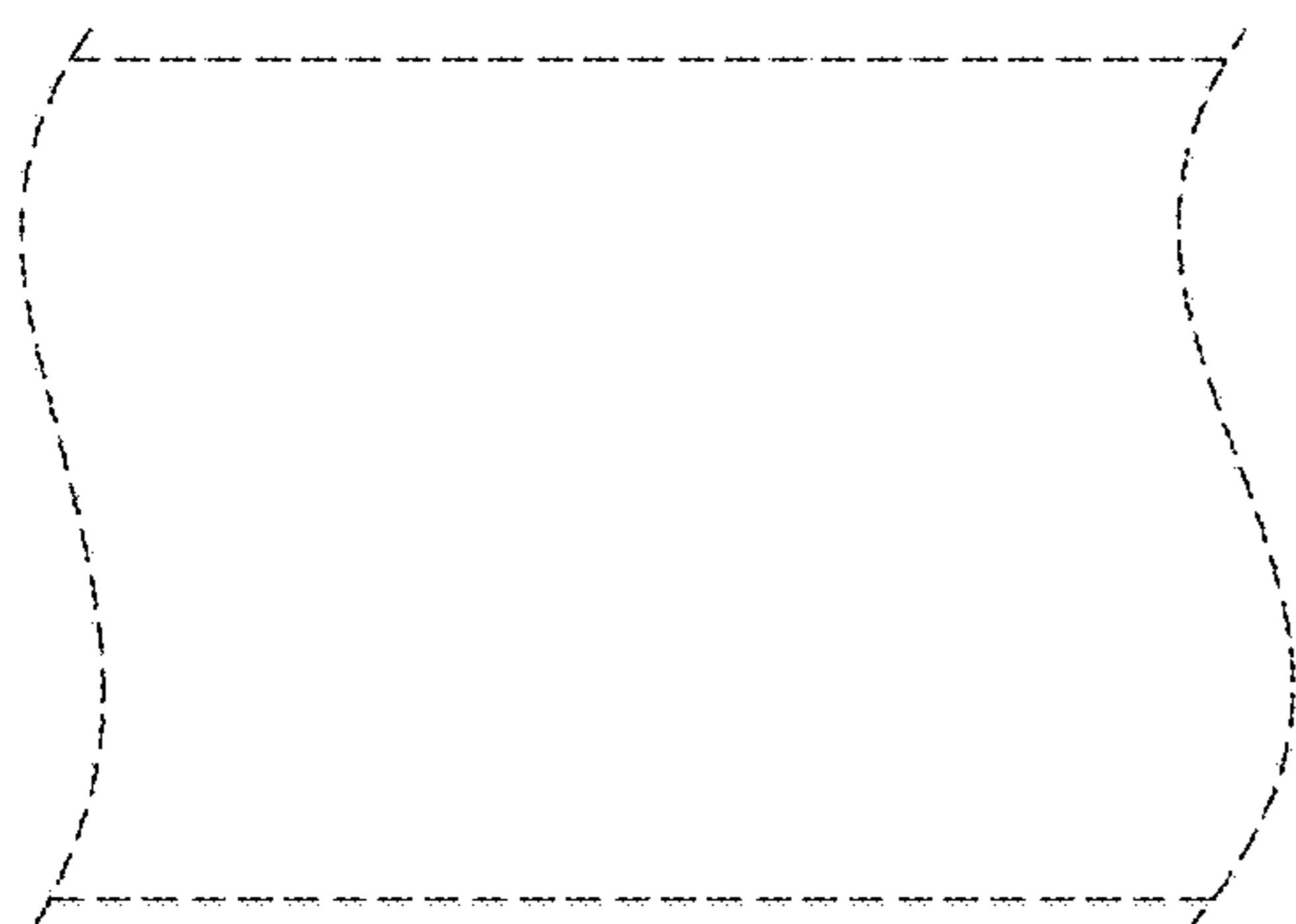


FIG. 7

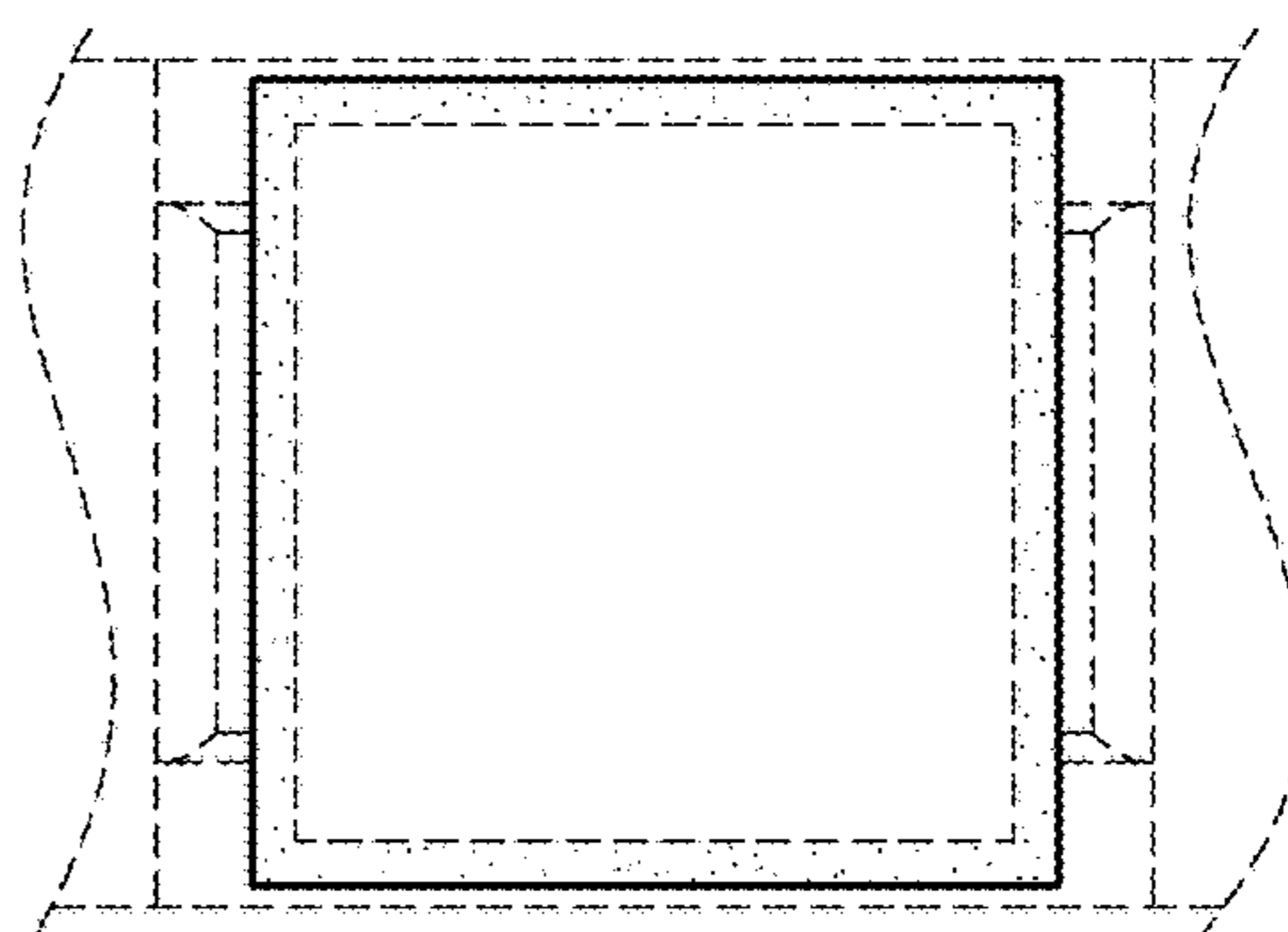


FIG. 8

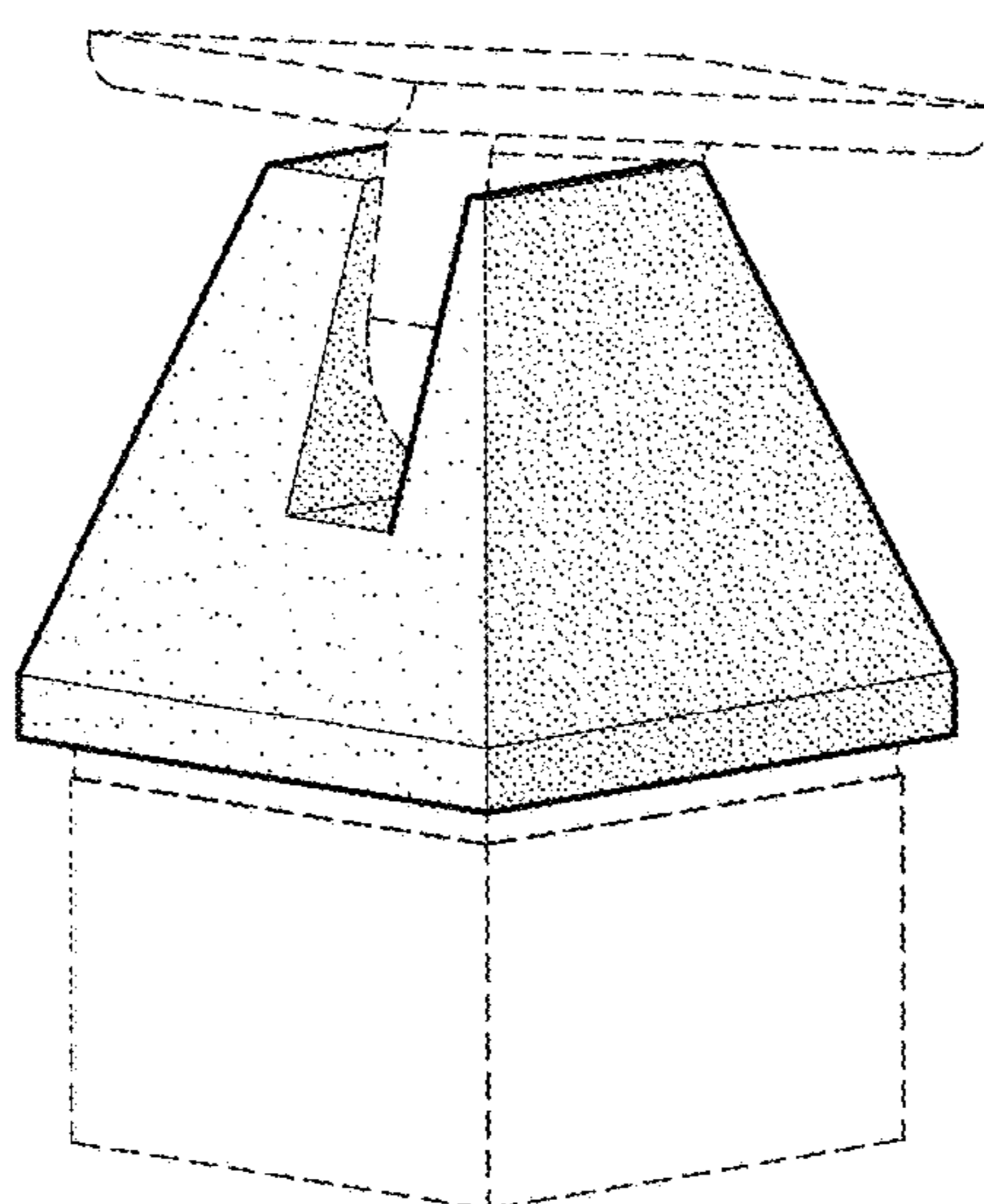


FIG. 9