



US00D785209S

(12) **United States Design Patent**
Ryan

(10) **Patent No.:** **US D785,209 S**
(45) **Date of Patent:** **** Apr. 25, 2017**

(54) **ROOFING DECK CEILING SYSTEM**

(71) Applicant: **Epic Metals Corporation**, Rankin, PA (US)

(72) Inventor: **Thomas G. Ryan**, Ligonier, PA (US)

(73) Assignee: **EPIC METALS CORPORATION**, Rankin, PA (US)

(**) Term: **15 Years**

(21) Appl. No.: **29/539,872**

(22) Filed: **Sep. 18, 2015**

Related U.S. Application Data

(62) Division of application No. 29/476,495, filed on Dec. 13, 2013, now Pat. No. Des. 742,541.

(51) **LOC (10) Cl.** **25-01**

(52) **U.S. Cl.**
USPC **D25/119**

(58) **Field of Classification Search**
USPC D25/119, 121, 56, 48.8, 120, 122;
52/507, 581, 579, 650.3, 656.8, 673, 674,
52/578, 87; 135/117.906
CPC E04B 1/00; E04B 1/32; E04B 2/00; E04B
7/00; E04B 9/00

See application file for complete search history.

(56) **References Cited**

U.S. PATENT DOCUMENTS

1,984,134 A 12/1934 Himmel et al.
2,123,366 A 7/1938 Kehr et al.
2,130,115 A 9/1938 Biddle
D178,659 S * 9/1956 Hield D25/121

(Continued)

Primary Examiner — Prabhakar Deshmukh

(74) *Attorney, Agent, or Firm* — The Webb Law Firm

(57) **CLAIM**

The ornamental design for a roofing deck ceiling system, as shown and described.

DESCRIPTION

FIG. 1 is an upper right front perspective view of a roofing deck ceiling system showing my new design in accordance with a first embodiment of the present invention;

FIG. 2 is a top view thereof;

FIG. 3 is a bottom view thereof;

FIG. 4 is a left side view thereof;

FIG. 5 is a right side view thereof;

FIG. 6 is a front view thereof;

FIG. 7 is a rear view thereof;

FIG. 8 is an upper right front perspective view of a roofing deck ceiling system showing my new design in accordance with a second embodiment of the present invention;

FIG. 9 is a top view thereof;

FIG. 10 is a bottom view thereof;

FIG. 11 is a left side view thereof;

FIG. 12 is a right side view thereof;

FIG. 13 is a front view thereof;

FIG. 14 is a rear view thereof;

FIG. 15 is an upper right front perspective view of a roofing deck ceiling system showing my new design in accordance with a third embodiment of the present invention;

FIG. 16 is a top view thereof;

FIG. 17 is a bottom view thereof;

FIG. 18 is a left side view thereof;

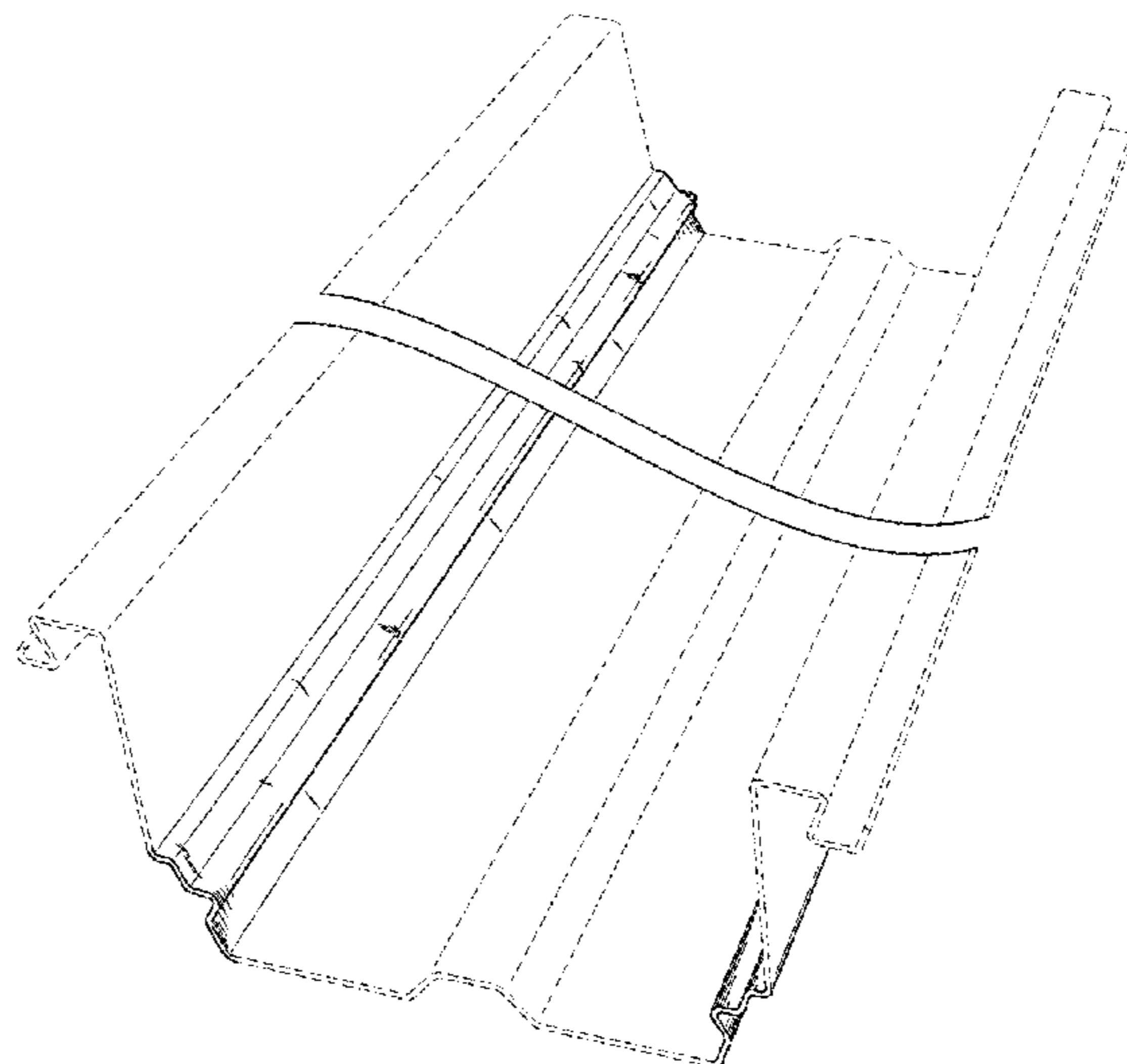
FIG. 19 is a right side view thereof;

FIG. 20 is front view thereof; and,

FIG. 21 is a rear view thereof.

The broken lines illustrate unclaimed portions and form no part of the claimed design. The broken away symbols in the drawings indicate indeterminate length and any portion of the article between the breakaway symbols form no part of the claimed design.

1 Claim, 15 Drawing Sheets



(56)

References Cited

U.S. PATENT DOCUMENTS

D206,131 S	11/1966	Ford		6,691,482 B1	2/2004	Ault
D217,247 S *	4/1970	Brown	D23/267	6,813,864 B2	11/2004	Landis
3,707,088 A	12/1972	King et al.		D507,353 S	7/2005	Rasmussen
D238,898 S	2/1976	Landis et al.		D507,665 S	7/2005	Ryan et al.
3,967,426 A	7/1976	Ault et al.		D511,580 S	11/2005	Ryan et al.
D241,104 S *	8/1976	Copeland	D25/119	7,146,920 B1	12/2006	Ryan et al.
4,085,558 A	4/1978	Albrecht		D537,961 S	3/2007	Chaput
4,454,692 A	6/1984	Ault		D552,765 S	10/2007	Ault et al.
5,172,527 A	12/1992	Ault		7,328,667 B1	2/2008	Ryan et al.
5,205,098 A	4/1993	Landis et al.		7,418,807 B1	9/2008	Ryan et al.
D337,169 S	7/1993	Schipp		7,603,814 B1	10/2009	Hartmann et al.
D340,532 S *	10/1993	Jansen	D25/119	D608,464 S	1/2010	Ryan
5,259,157 A	11/1993	Ault		D622,417 S	8/2010	Ryan
5,491,946 A	2/1996	Landis et al.		D623,773 S	9/2010	Ryan
5,740,633 A *	4/1998	Champagne	E04D 13/064 52/11	7,793,477 B1	9/2010	Potts
D441,876 S	5/2001	Eaton		D648,445 S	11/2011	Ryan
D443,368 S	6/2001	Eaton		D655,022 S	2/2012	Ryan
D454,180 S	3/2002	Wessels		D661,410 S	6/2012	Ryan
6,357,191 B1	3/2002	Ault et al.		D663,045 S	7/2012	Ryan
				D677,405 S	3/2013	Landis
				8,572,900 B1	11/2013	Potts
				D718,876 S	12/2014	Smedberg

* cited by examiner

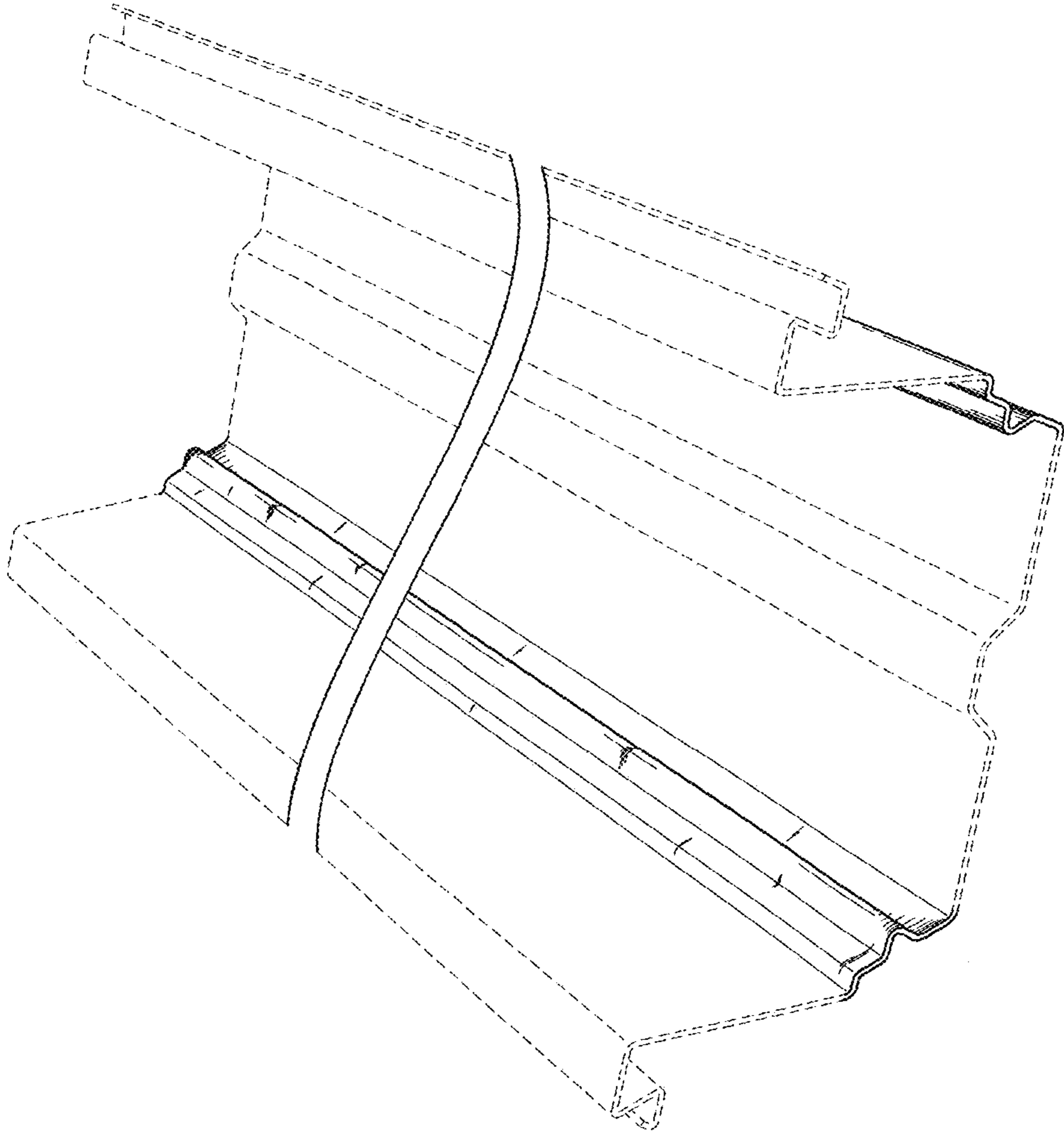


FIG. 1

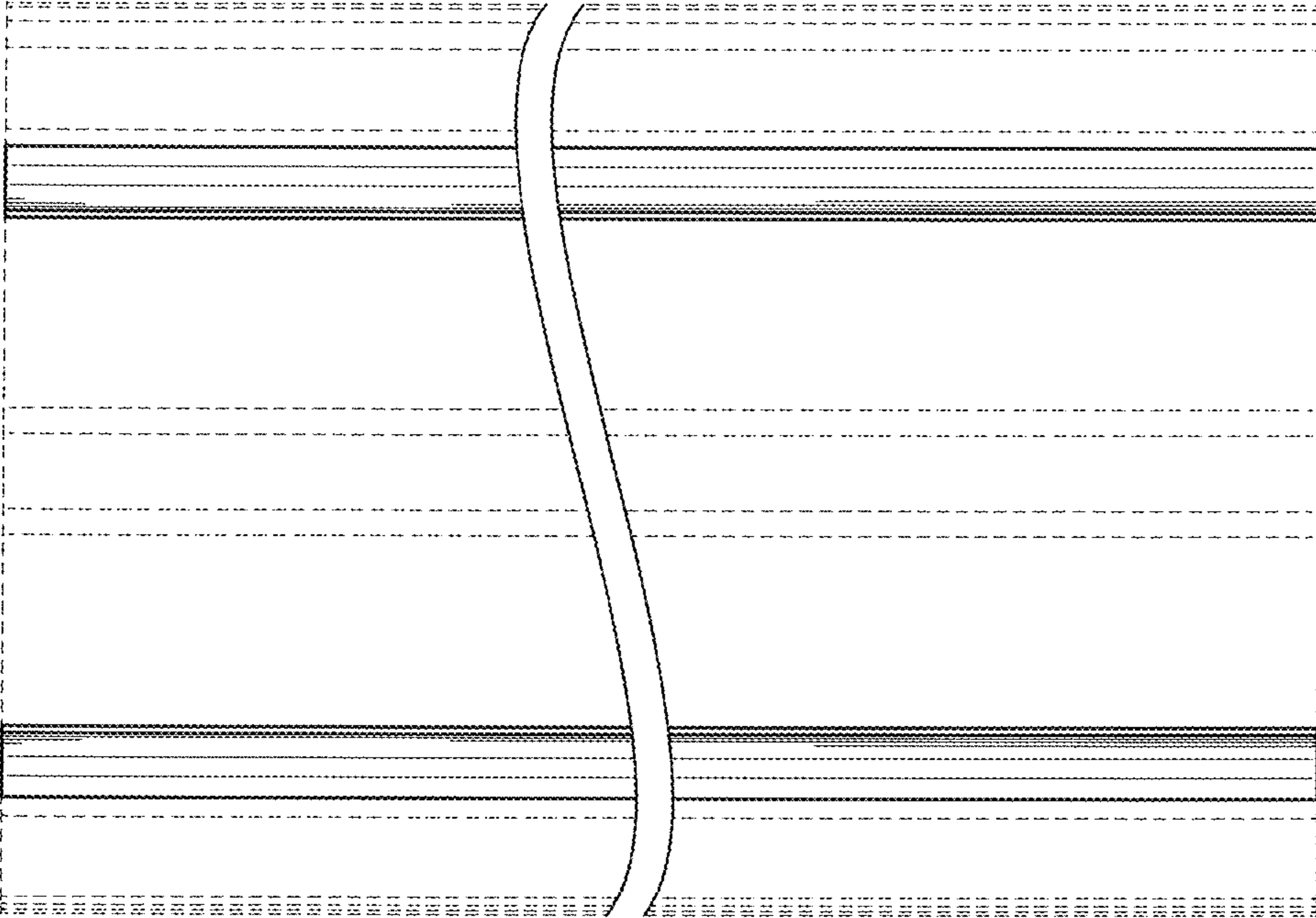


FIG. 2

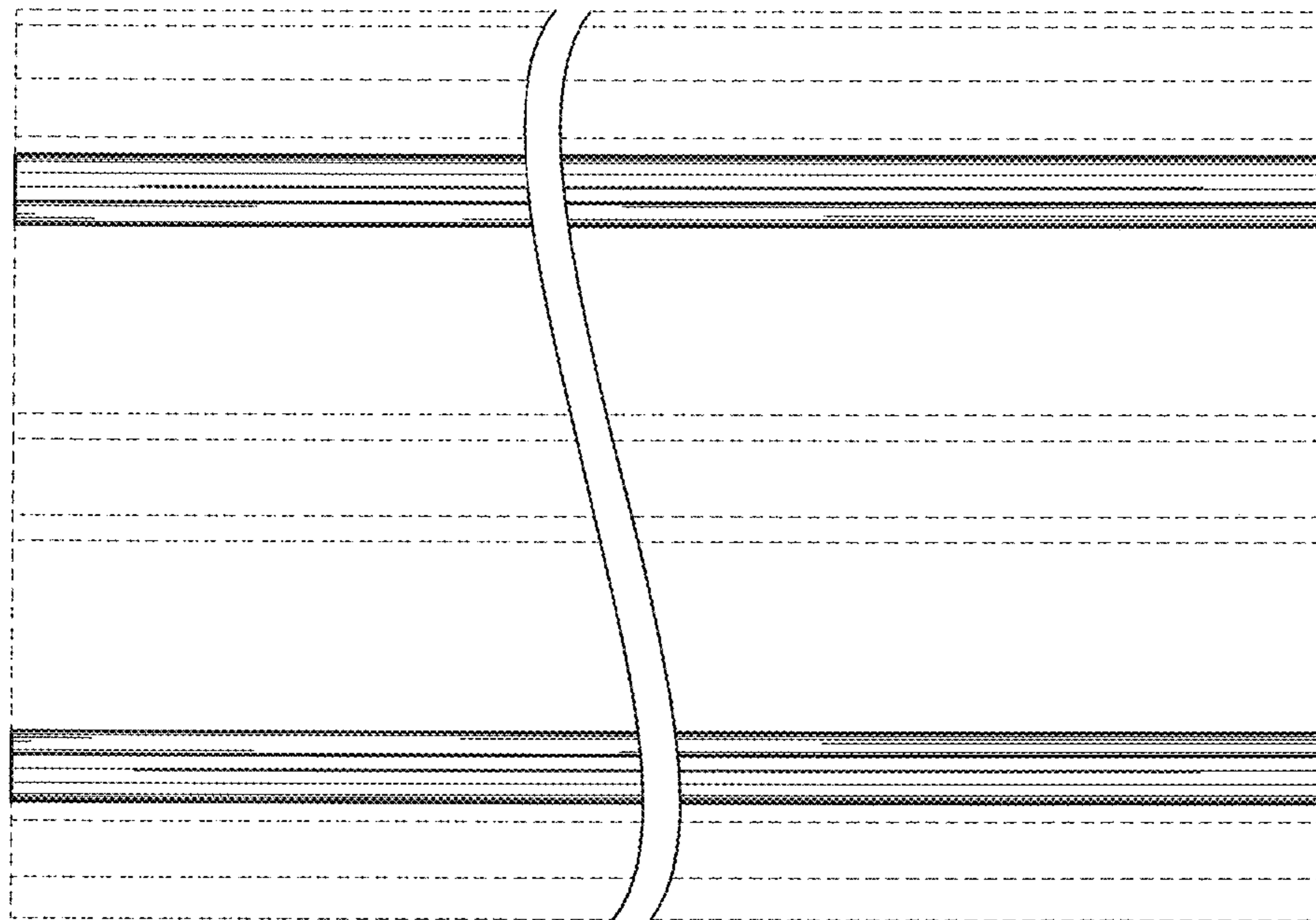


FIG. 3

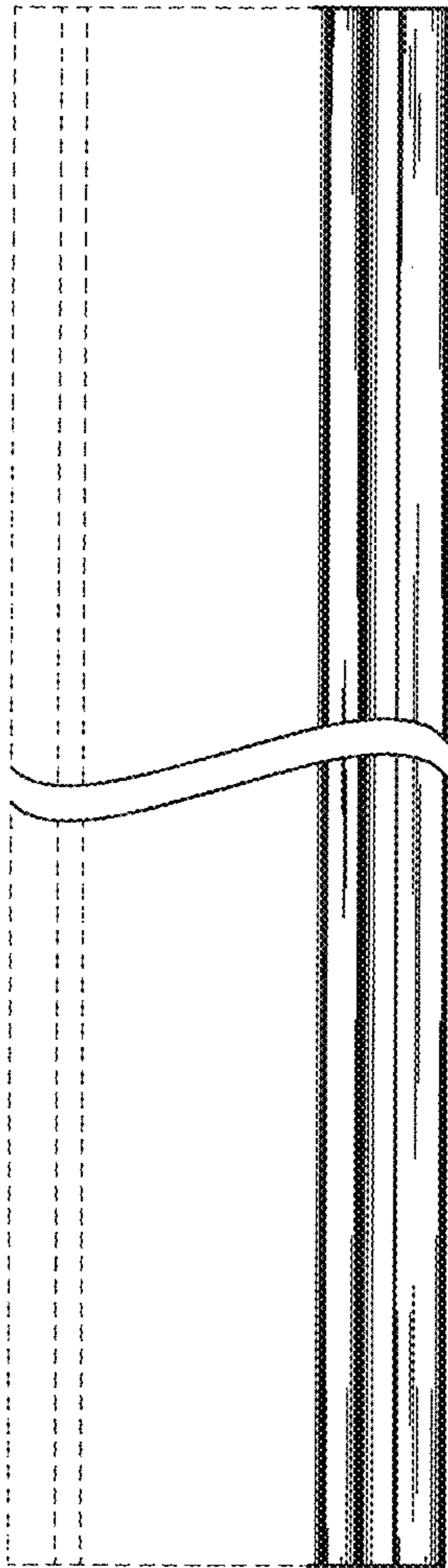


FIG. 4

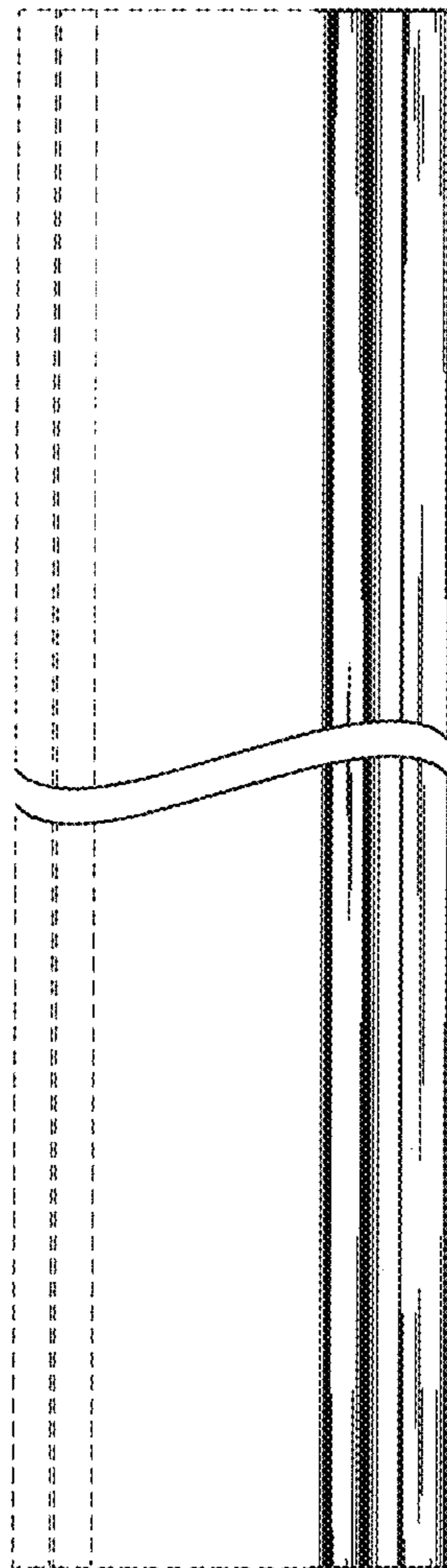


FIG. 5

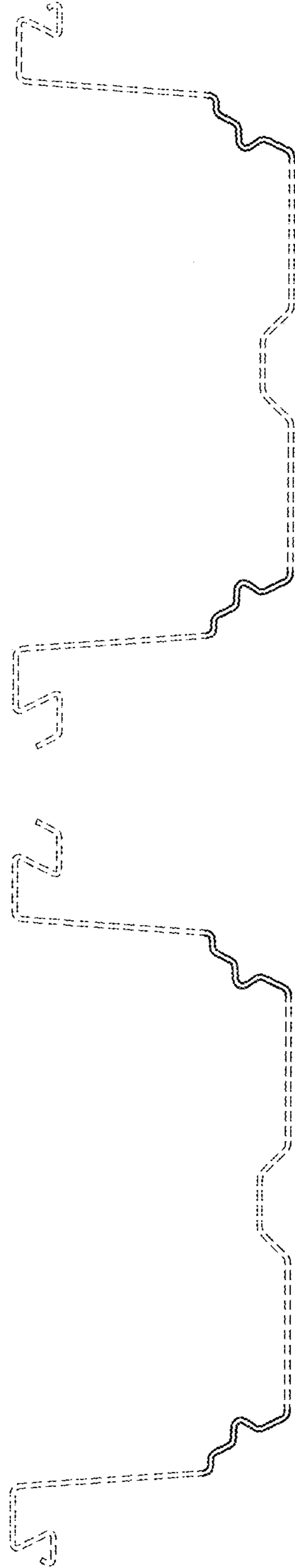


FIG. 7

FIG. 6

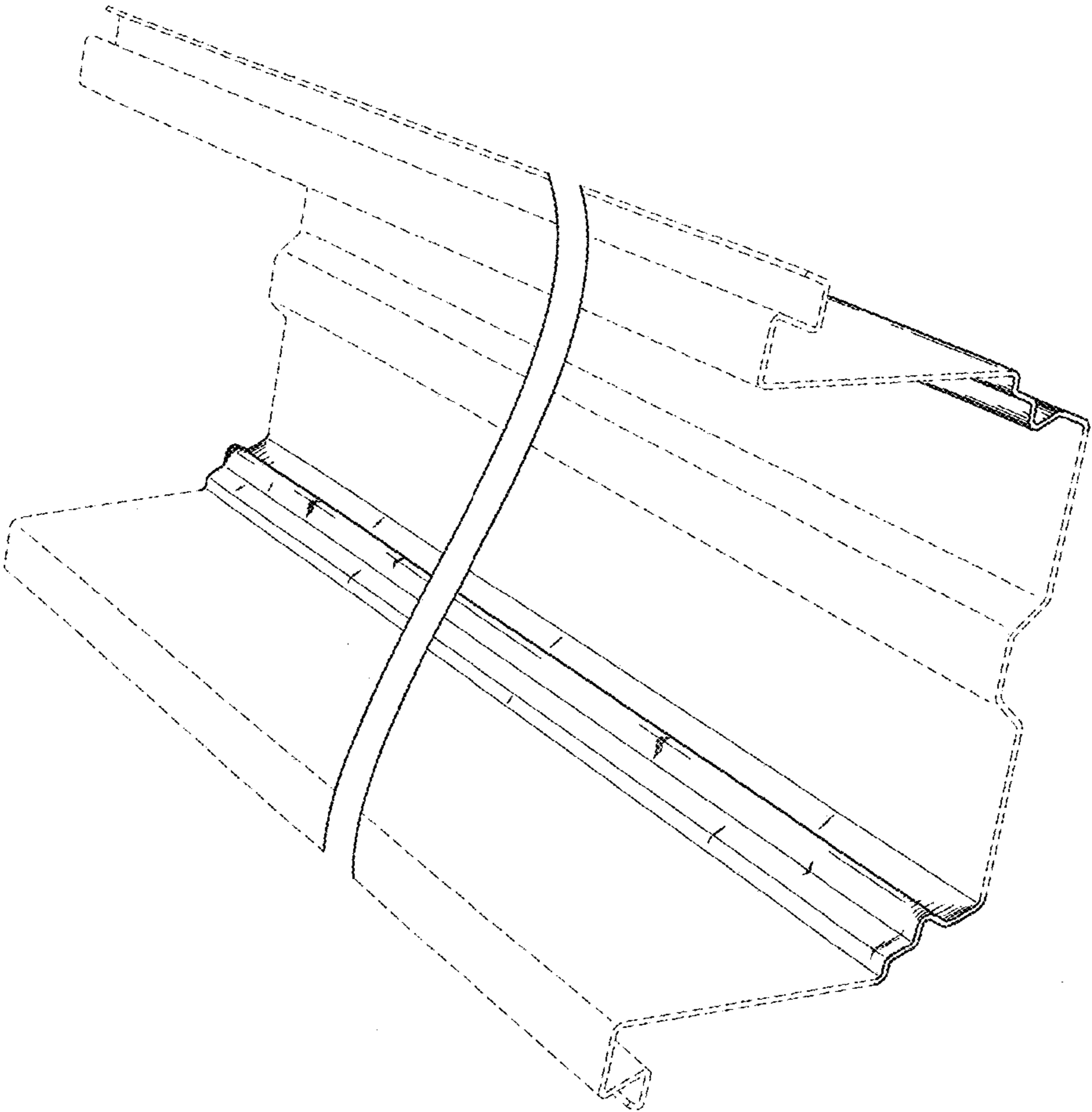


FIG. 8

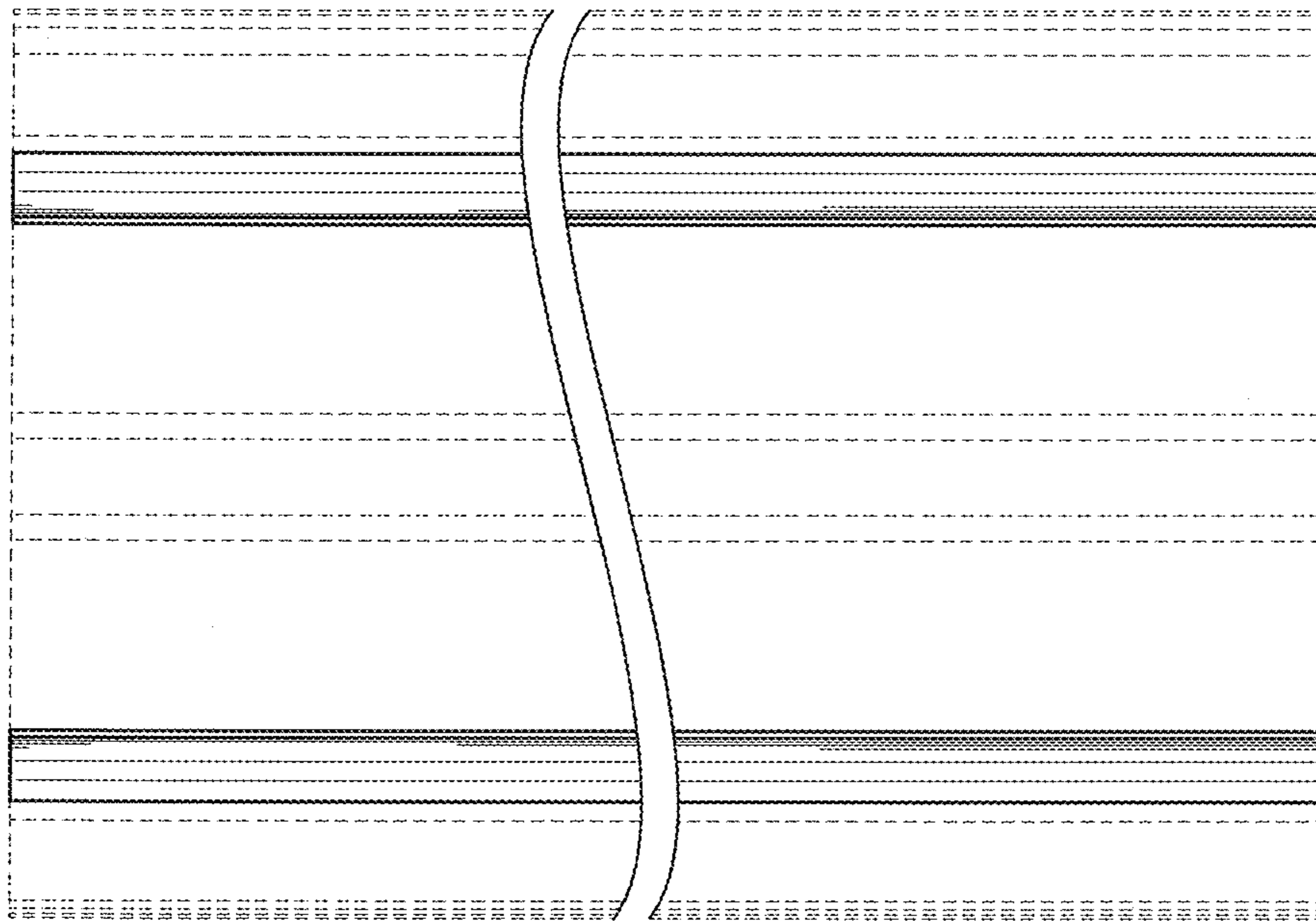


FIG. 9

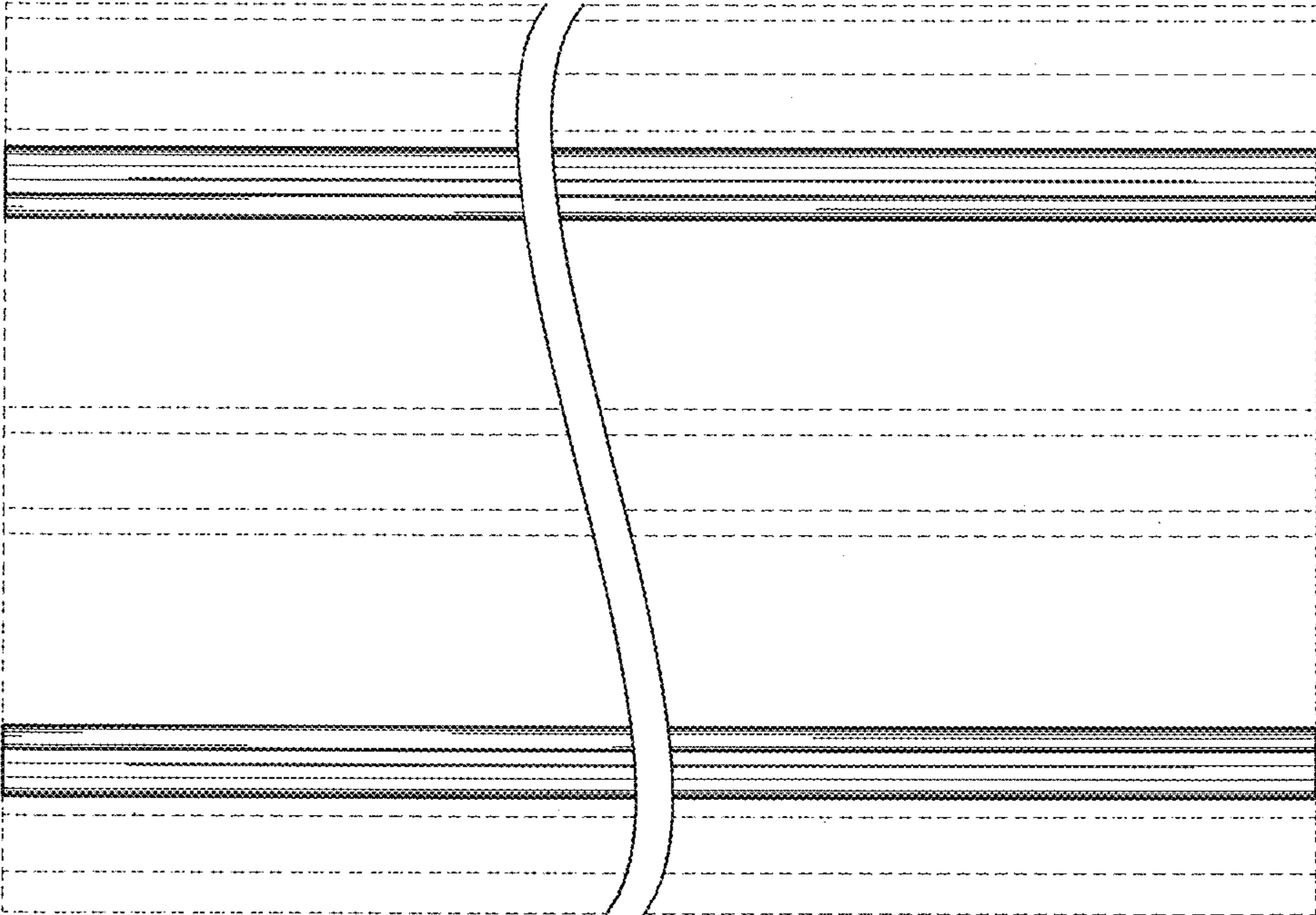


FIG. 10

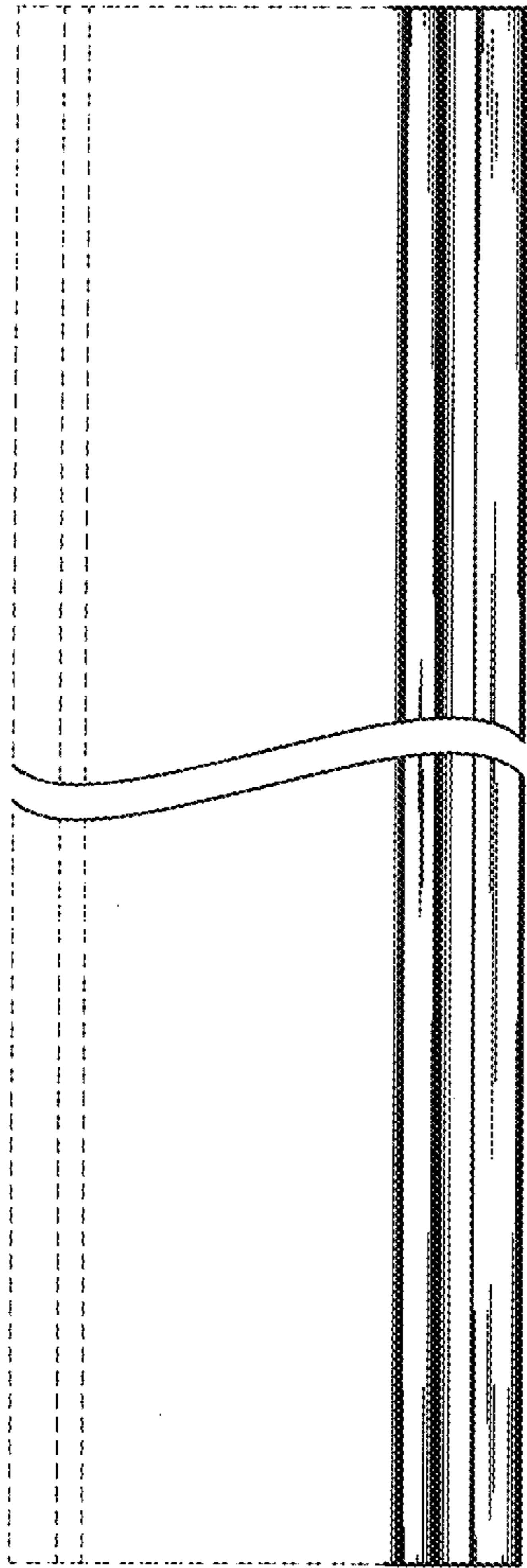


FIG. 11

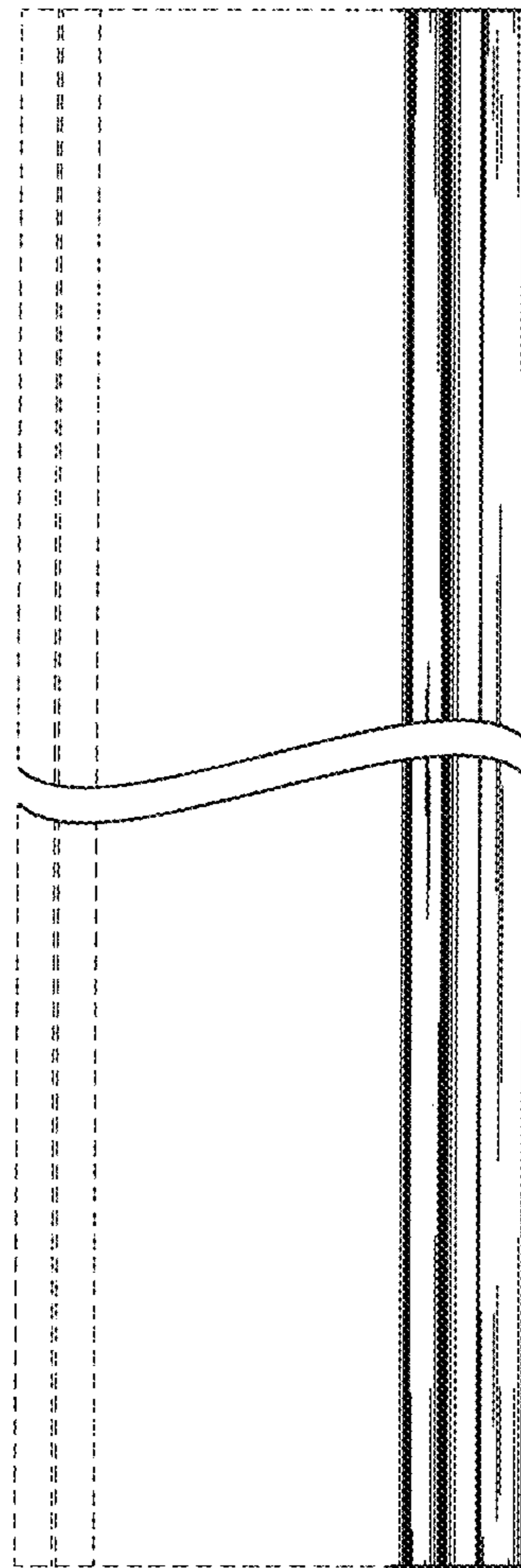


FIG. 12

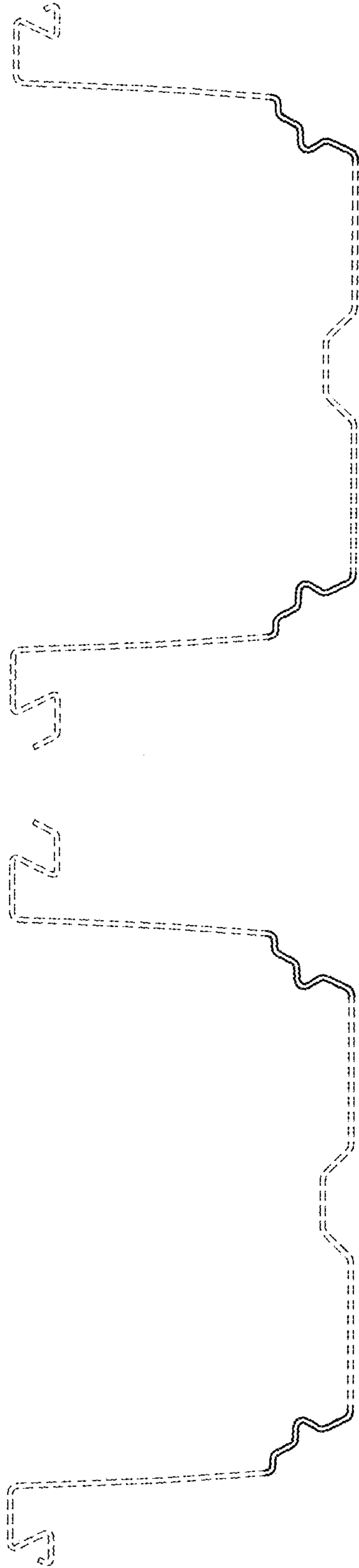


FIG. 13

FIG. 14

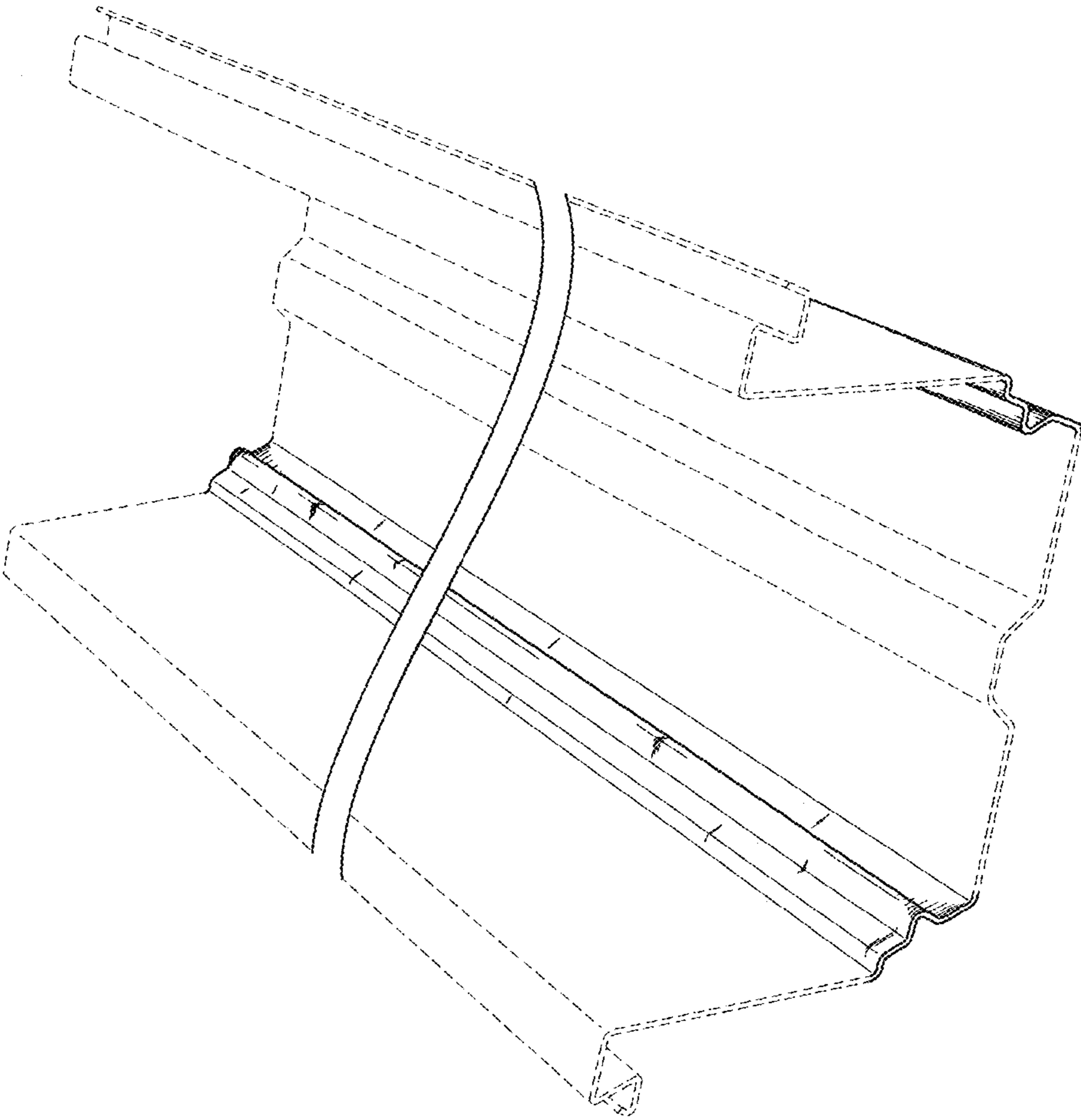


FIG. 15

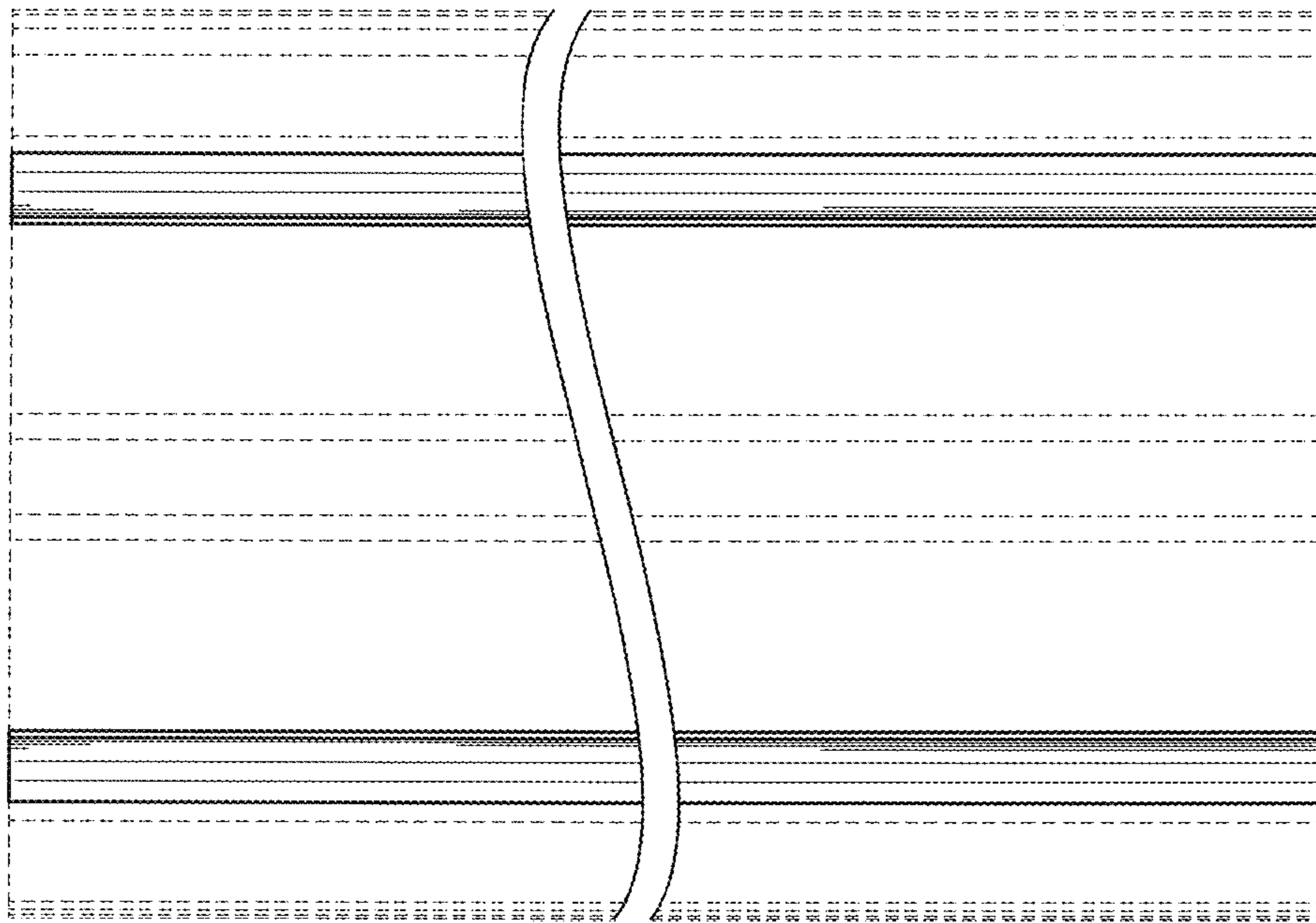


FIG. 16

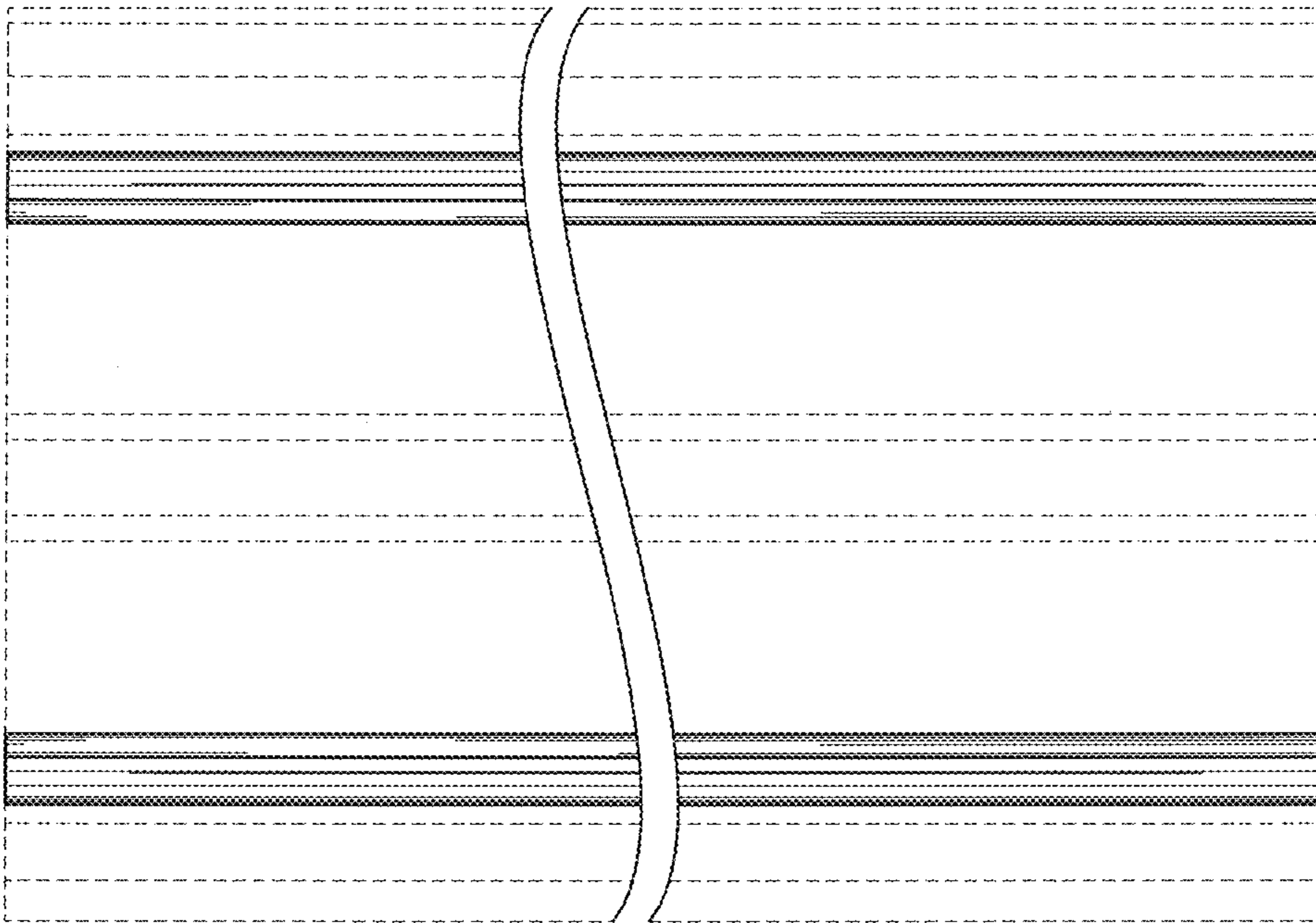


FIG. 17

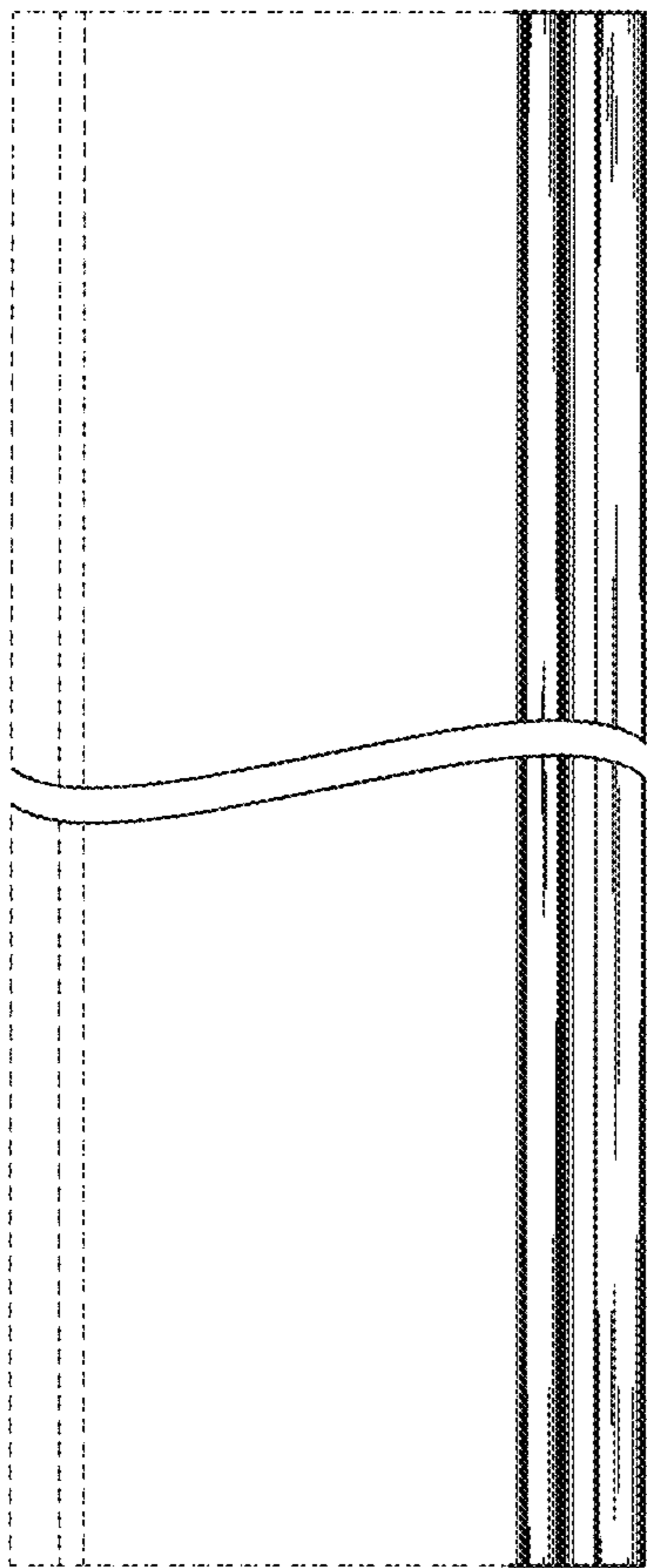


FIG. 18

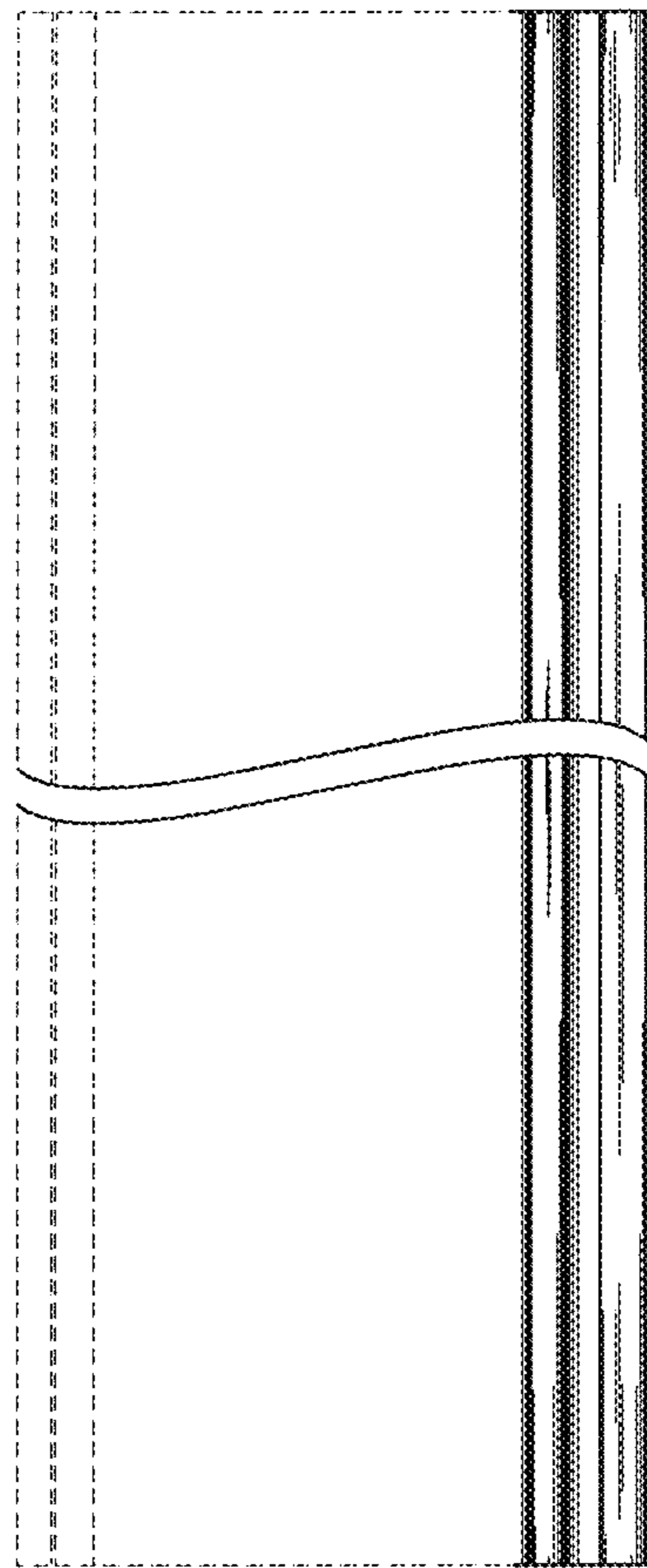


FIG. 19

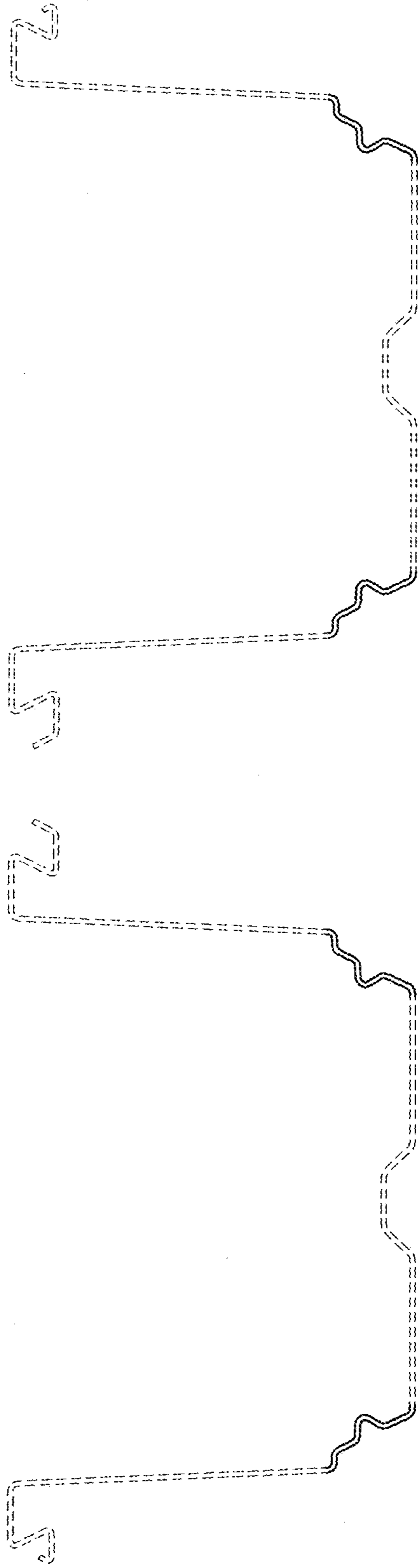


FIG. 20

FIG. 21