



US00D785208S

(12) **United States Design Patent**
McIntosh

(10) **Patent No.:** **US D785,208 S**

(45) **Date of Patent:** **** Apr. 25, 2017**

(54) **BLOCK FOR A RETAINING WALL**

4,964,761 A 10/1990 Rossi
5,468,098 A 11/1995 Babcock
5,567,089 A 10/1996 Akamine

(71) Applicant: **PACIFIC PREBENCHED LTD.**,
Aldergrove (CA)

(Continued)

(72) Inventor: **Robert Gordon McIntosh**, Abbotsford
(CA)

FOREIGN PATENT DOCUMENTS

(73) Assignee: **Pacific Prebenched Ltd.**, Aldergrove,
BC (CA)

CA 2592213 C 5/2011
CN 1605679 A 4/2005

(Continued)

(**) Term: **15 Years**

Primary Examiner — Susan Bennett Hattan

Assistant Examiner — Leanne Was-Englehart

(21) Appl. No.: **29/554,509**

(74) *Attorney, Agent, or Firm* — Knobbe Martens Olson
& Bear LLP

(22) Filed: **Feb. 11, 2016**

(57) **CLAIM**

The ornamental design for a block for a retaining wall, as
shown and described.

(51) **LOC (10) Cl.** **25-01**

(52) **U.S. Cl.**

DESCRIPTION

USPC **D25/113**

(58) **Field of Classification Search**

USPC D21/484–491, 499–504; D25/102–118,
D25/136, 138, 140, 151–153, 156–162,
D25/164; 52/503–505, 574, 575,
52/596–612; 404/27–42; 405/16, 284,
405/286

CPC E02D 29/0241; E02D 29/025; E02D
29/0225; E04B 2002/0223; E04C 1/395;
E04C 2/38; E04F 13/007; E04F 13/0894;
E04F 13/09; E04F 13/14; E04F 13/144

See application file for complete search history.

FIG. 1 is a front perspective view of a block for a retaining
wall.

FIG. 2 is a front elevational view of the block for a retaining
wall of FIG. 1.

FIG. 3 is a rear elevational view of the block for a retaining
wall of FIG. 1.

FIG. 4 is a right side elevational view of the block for a
retaining wall of FIG. 1.

FIG. 5 is a left side elevational view of the block for a
retaining wall of FIG. 1.

FIG. 6 is a top plan view of the block for a retaining wall of
FIG. 1.

FIG. 7 is a bottom plan view of the block for a retaining wall
of FIG. 1; and,

FIG. 8 is a front perspective view of a retaining wall, shown
in broken lines, including the block for a retaining wall of
FIG. 1. The broken lines depict environment that forms no
part of the claimed design.

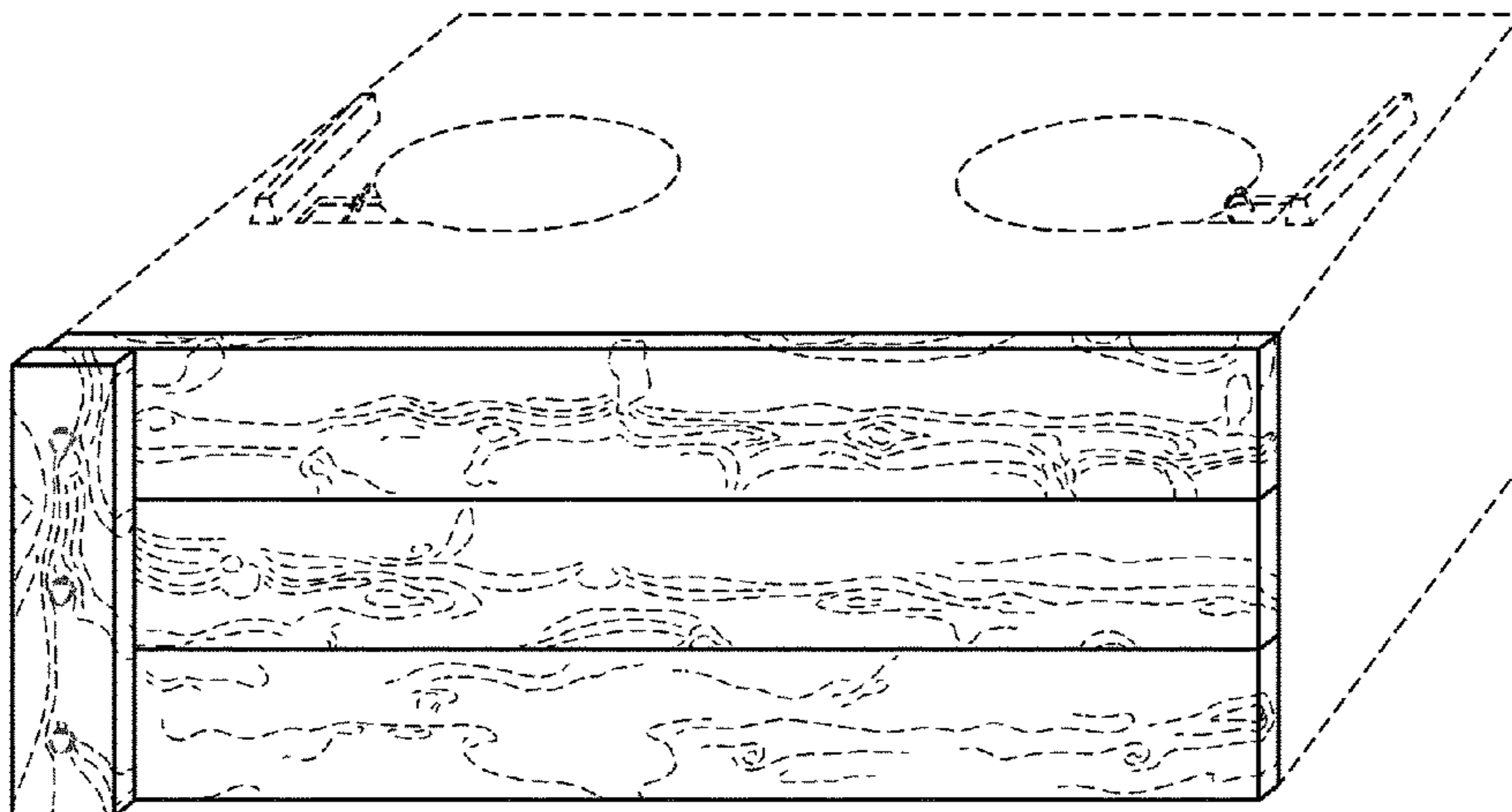
The broken lines in the drawings depict portions of the block
for a retaining wall that form no part of the claimed design.

(56) **References Cited**

U.S. PATENT DOCUMENTS

705,732 A 7/1902 Bone
2,684,589 A 7/1954 Perretton
3,195,312 A 7/1965 Rumsey, Jr.
3,430,397 A 3/1969 Ellis
3,951,384 A 4/1976 Hildreth, Jr.
3,953,979 A 5/1976 Kurose
4,916,874 A 4/1990 McCoy et al.

1 Claim, 5 Drawing Sheets



(56)

References Cited

U.S. PATENT DOCUMENTS

5,697,736	A	12/1997	Veazey et al.	
5,795,106	A	8/1998	Herd	
6,213,689	B1	4/2001	Hirai	
D555,810	S *	11/2007	Strand	D25/118
D600,359	S *	9/2009	King	D25/113
8,938,836	B2	1/2015	Chandra et al.	
2006/0188344	A1	8/2006	Boys	
2008/0095585	A1	4/2008	La	
2009/0094917	A1*	4/2009	McIntosh	E02D 29/0241 52/311.1
2014/0083033	A1*	3/2014	McIntosh	E04F 13/0846 52/302.1

FOREIGN PATENT DOCUMENTS

CN	101381994	A	3/2009
CN	102926400	A	2/2013
EP	2549022	A1	1/2013
GB	1477221		6/1977
JP	S58-120924	A	7/1983
JP	S60-43531	A	3/1985
JP	H7-145625	A	6/1995
JP	H9-158223	A	6/1997
JP	H9-170240	A	6/1997
JP	H10-152848		6/1998
JP	H10-195894	A	7/1998
JP	2000-204571	A	7/2000
JP	2000-314143	A	11/2000
JP	2002-322656	A	11/2002
JP	2006-316462	A	11/2006
KR	10-2008-0077721	A	8/2008
KR	10-1006963	B1	1/2011
KR	10-2012-0030513	A	3/2012

* cited by examiner

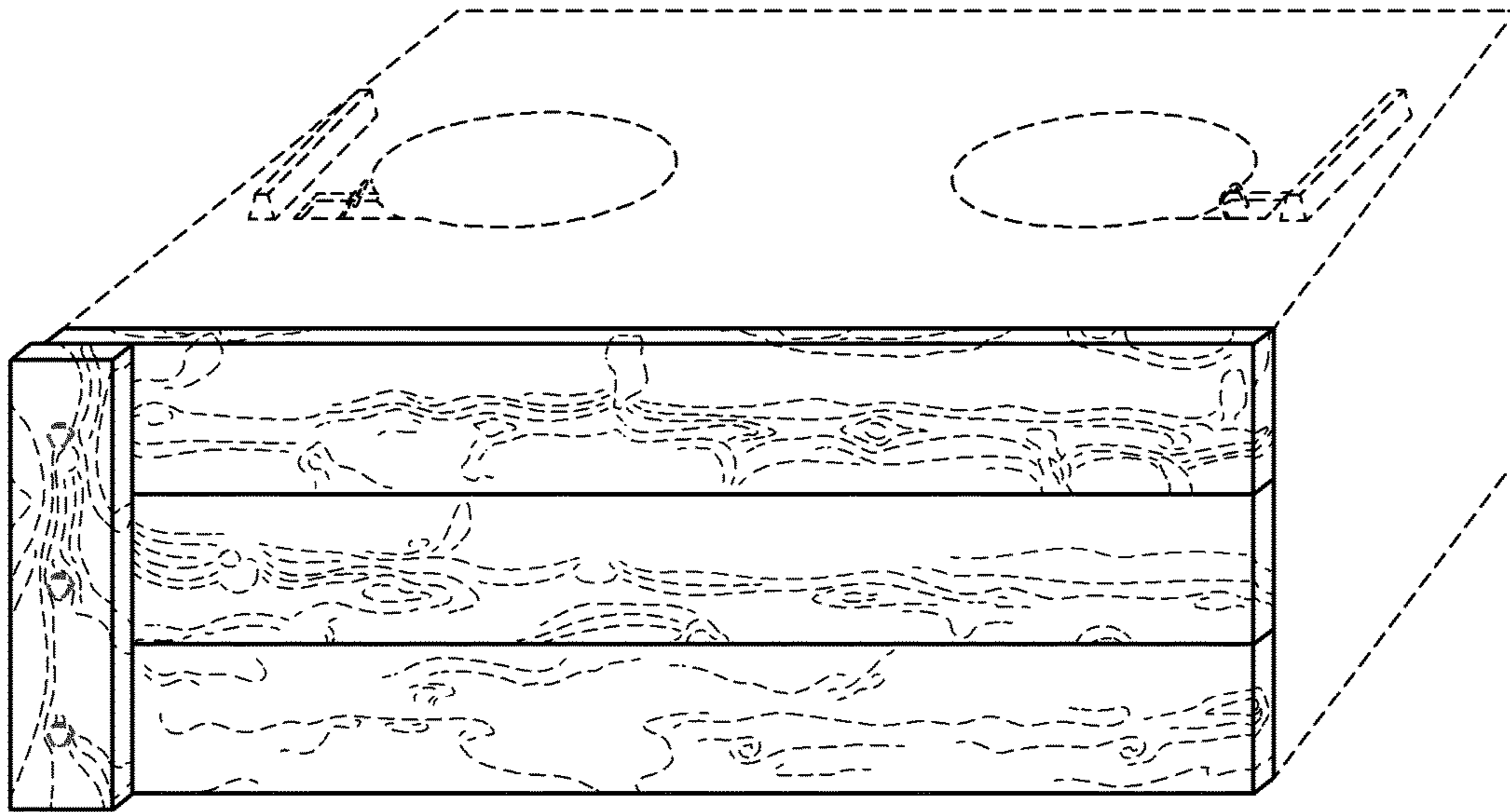


FIG. 1

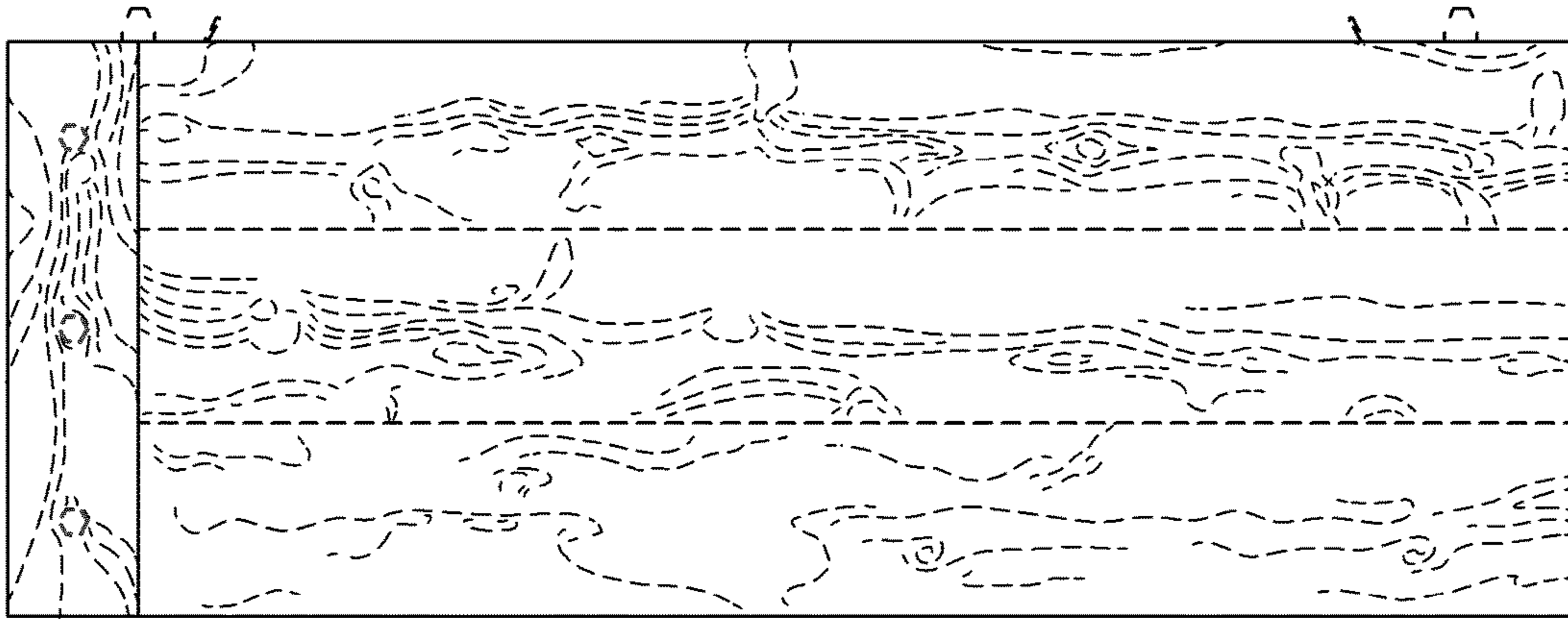


FIG. 2

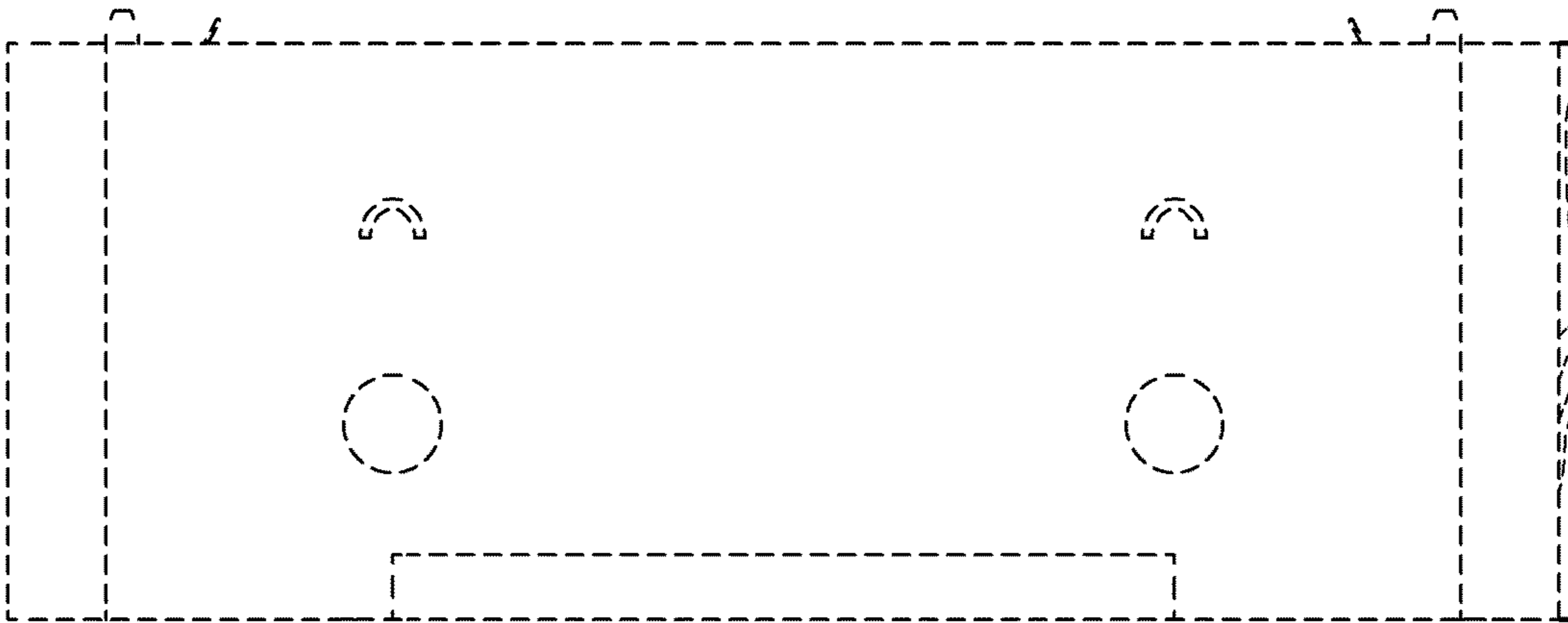


FIG. 3

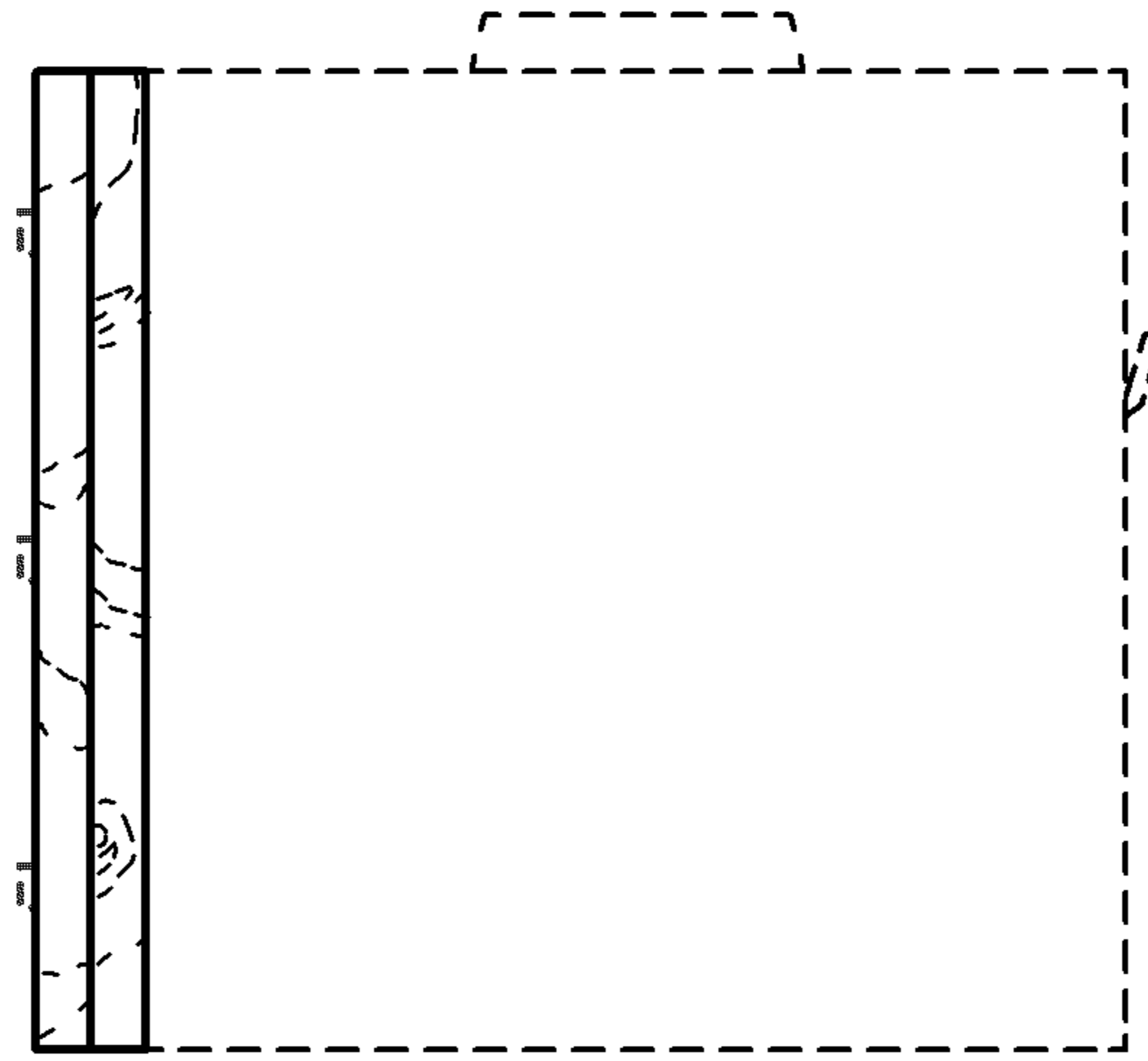


FIG. 4

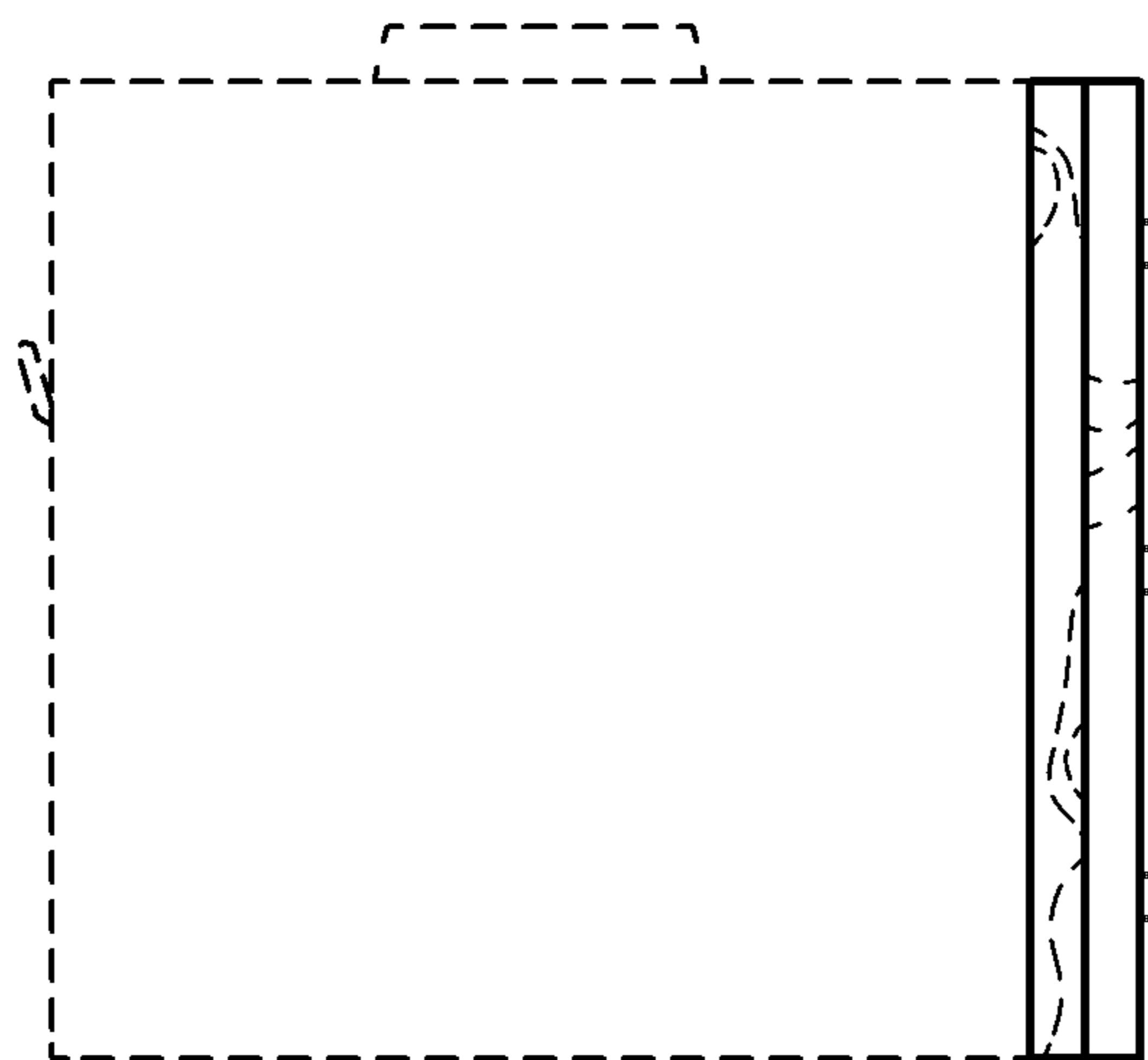


FIG. 5

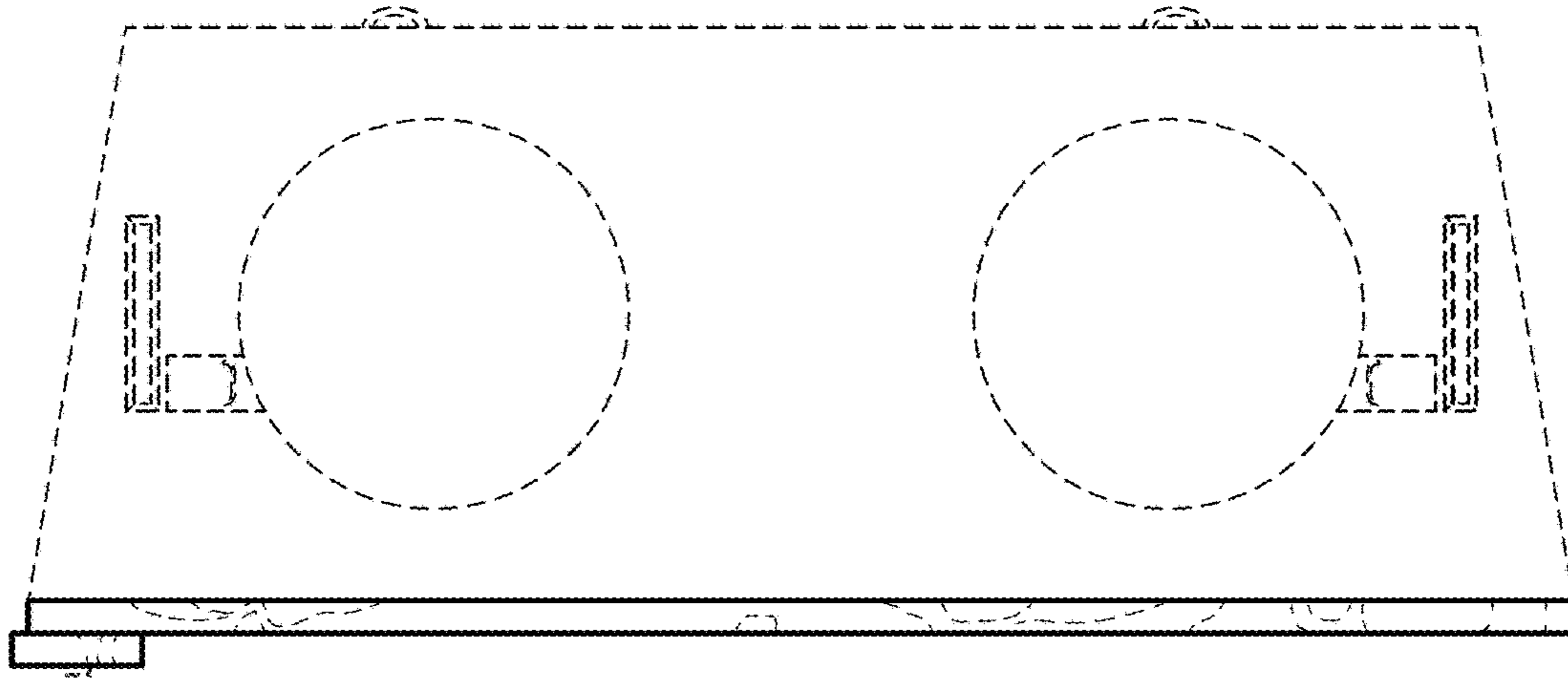


FIG. 6

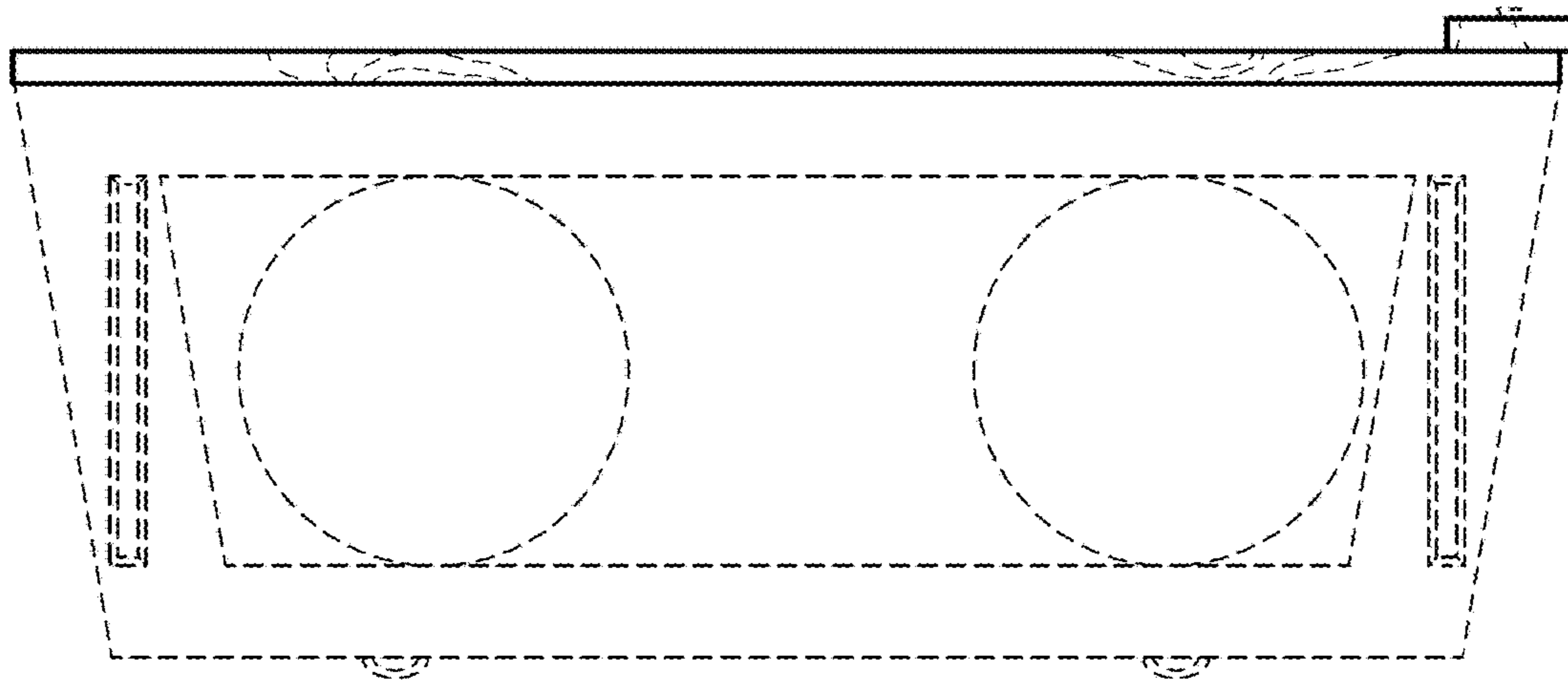


FIG. 7

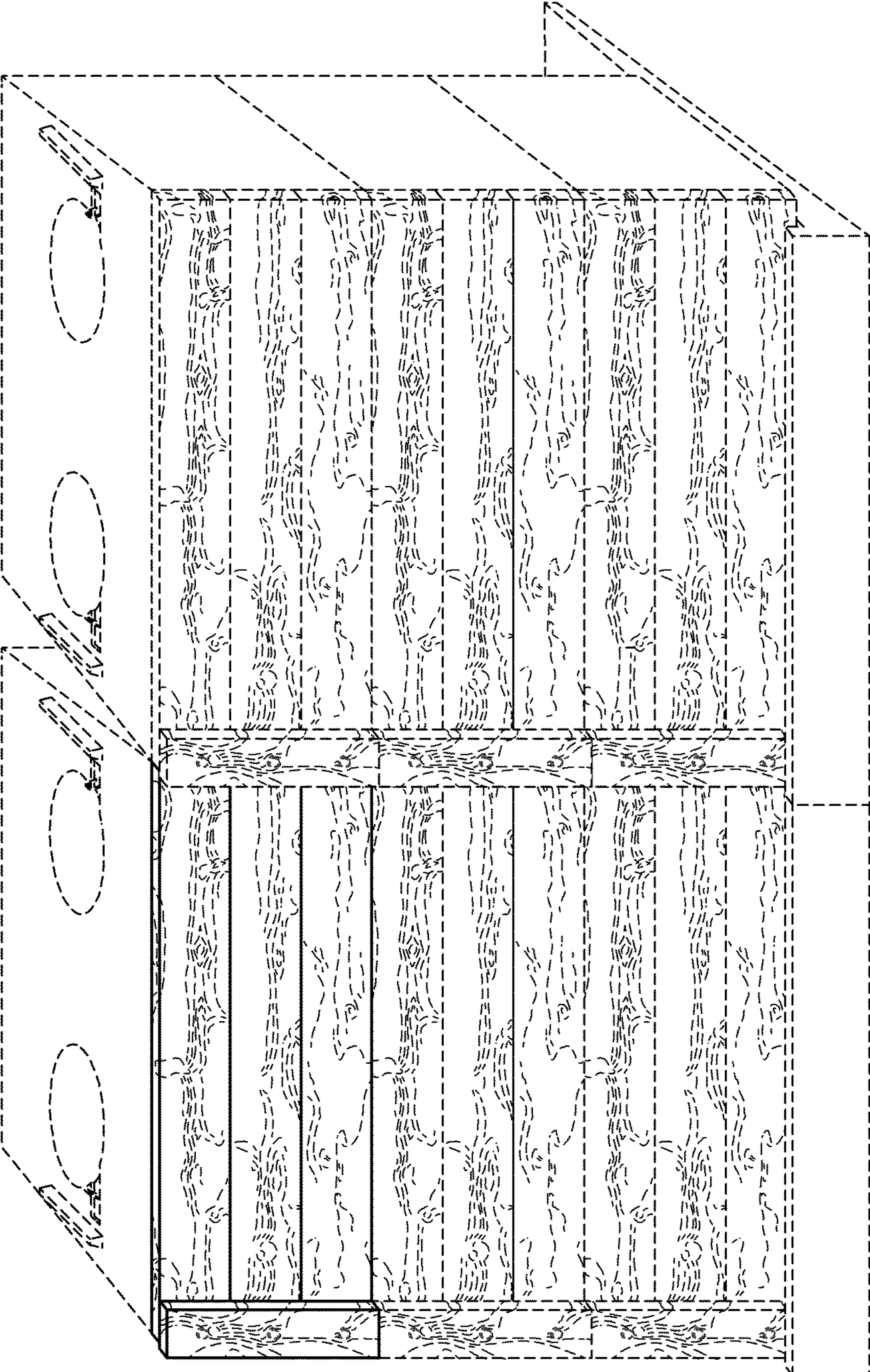


FIG. 8