



US00D785207S

(12) **United States Design Patent**  
**Gauthier et al.**

(10) **Patent No.:** **US D785,207 S**  
(45) **Date of Patent:** **\*\* Apr. 25, 2017**

(54) **BRICK STARTER**

(71) Applicant: **NOVABRIK INTERNATIONAL INC.**, Montreal, Quebec (CA)

(72) Inventors: **Simon Gauthier**, Rosemere (CA);  
**Gonzalo Endara**, Montreal (CA)

(73) Assignee: **NOVABRIK INTERNATIONAL INC.**, Montreal (CA)

(\*\*) Term: **14 Years**

(21) Appl. No.: **29/526,687**

(22) Filed: **May 12, 2015**

(30) **Foreign Application Priority Data**

Nov. 13, 2014 (CA) ..... 159444

(51) **LOC (10) Cl.** ..... **25-01**

(52) **U.S. Cl.**  
USPC ..... **D25/113**

(58) **Field of Classification Search**  
USPC ..... D8/349, 353, 354, 364, 376, 377, 382,  
D8/383; D25/55, 58-61, 102, 113, 119,  
D25/120, 125, 136, 138, 139, 141, 143,  
D25/164; 52/387, 393, 394, 396.04,  
52/396.08, 396.1; 404/7, 8, 33  
CPC ... E04F 21/18; A47C 9/00; A47C 7/66; A47C  
21/022

See application file for complete search history.

(56) **References Cited**

U.S. PATENT DOCUMENTS

D179,205 S *	11/1956	Levie .....	D11/1
5,390,456 A *	2/1995	Platt .....	B44F 7/00
			52/311.2
D400,985 S *	11/1998	Risi .....	D25/164
D757,531 S *	5/2016	Rusher .....	D8/394
2010/0154341 A1 *	6/2010	LaLonde .....	E04B 9/30
			52/506.07

\* cited by examiner

*Primary Examiner* — Susan Bennett Hattan

*Assistant Examiner* — Leanne Was-Englehart

(74) *Attorney, Agent, or Firm* — Brouillette Legal Inc;  
Damien Calvet

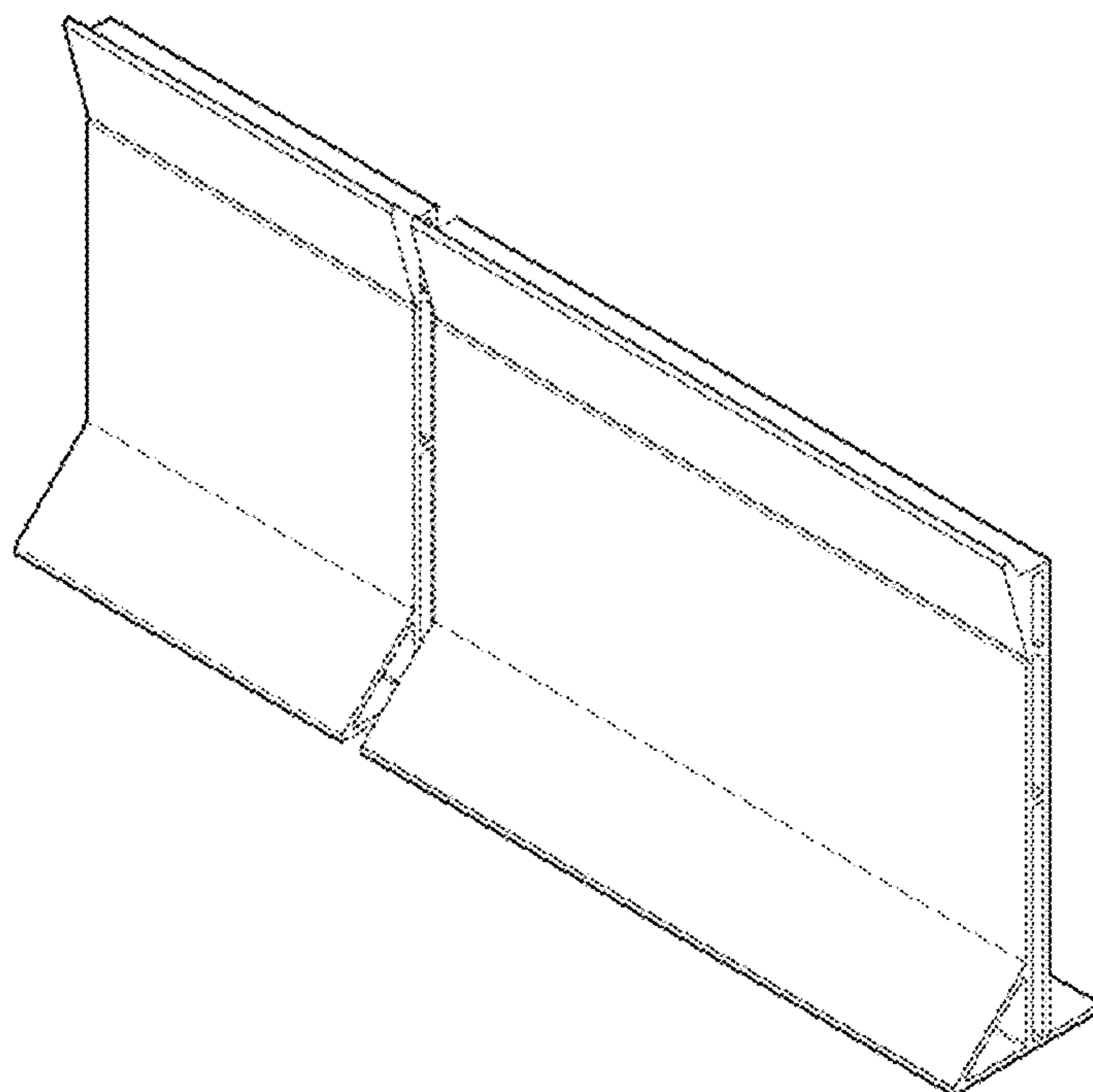
(57) **CLAIM**

The ornamental design for a brick starter, as shown and described.

**DESCRIPTION**

FIG. 1 is a perspective view of the brick starter;  
FIG. 2 is a left elevation view of the brick starter;  
FIG. 3 is a right elevation view of the brick starter;  
FIG. 4 is a top plan view of the brick starter;  
FIG. 5 is a bottom plan view of the brick starter;  
FIG. 6 is a front elevation view of the brick starter; and,  
FIG. 7 is a rear elevation view of the brick starter.  
The break lines depict the boundaries of the claim. The area between the break lines forms no part of the claimed design.

**1 Claim, 5 Drawing Sheets**



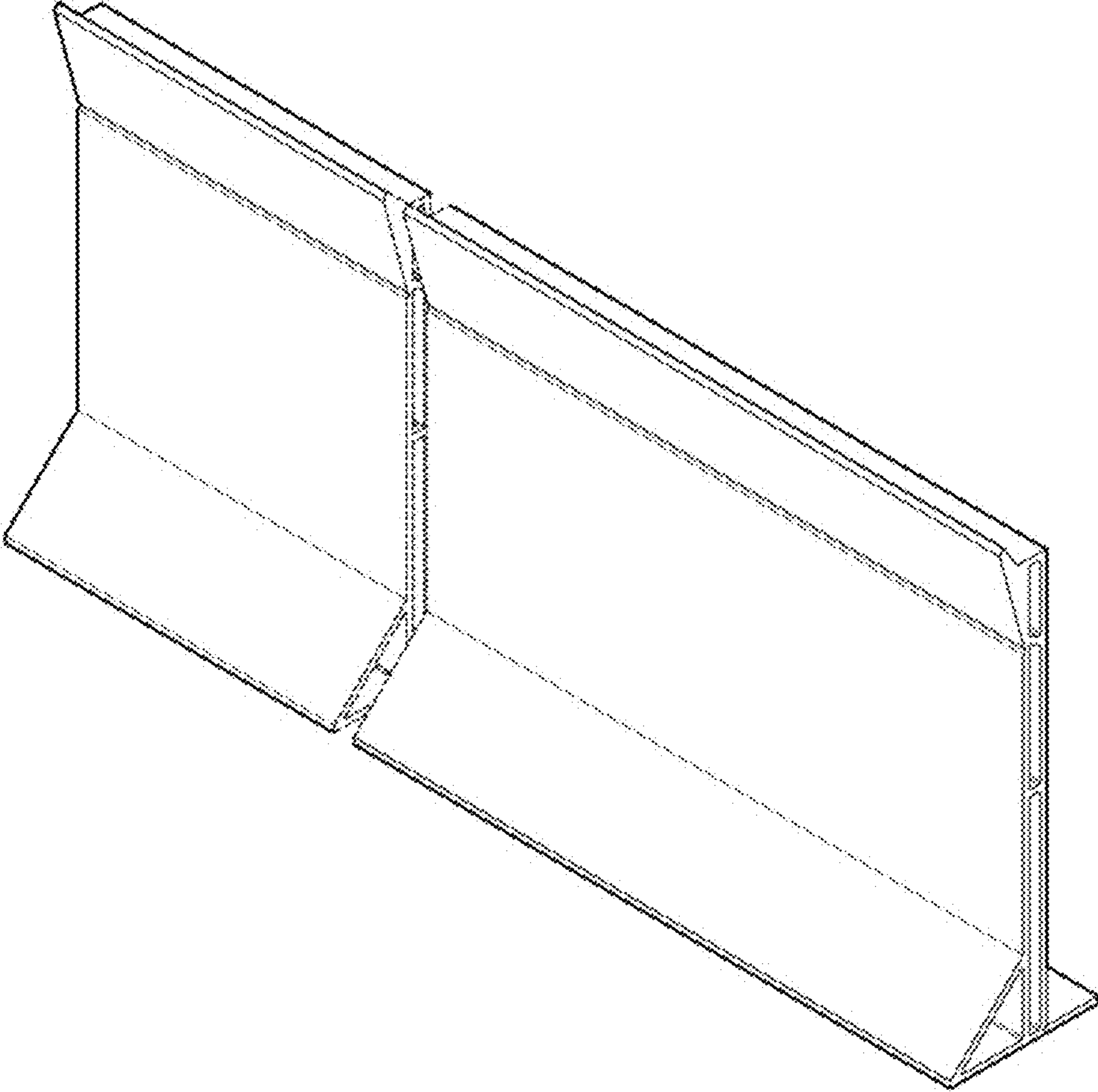


Figure 1

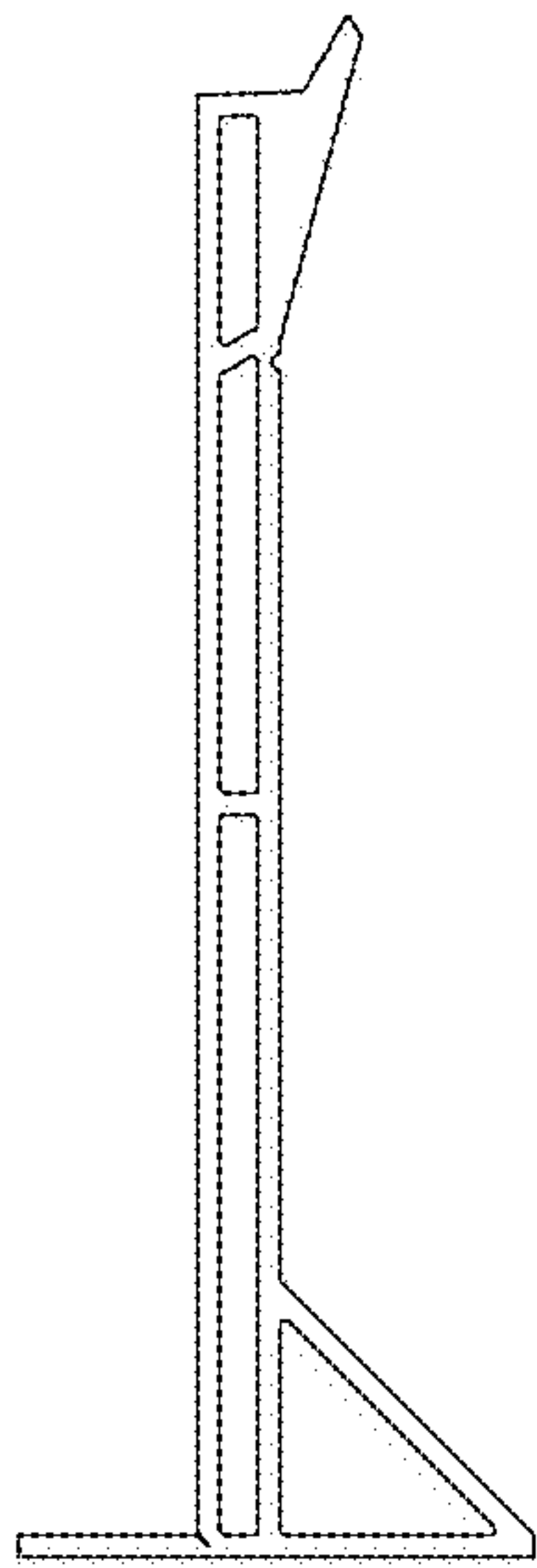


Figure 2

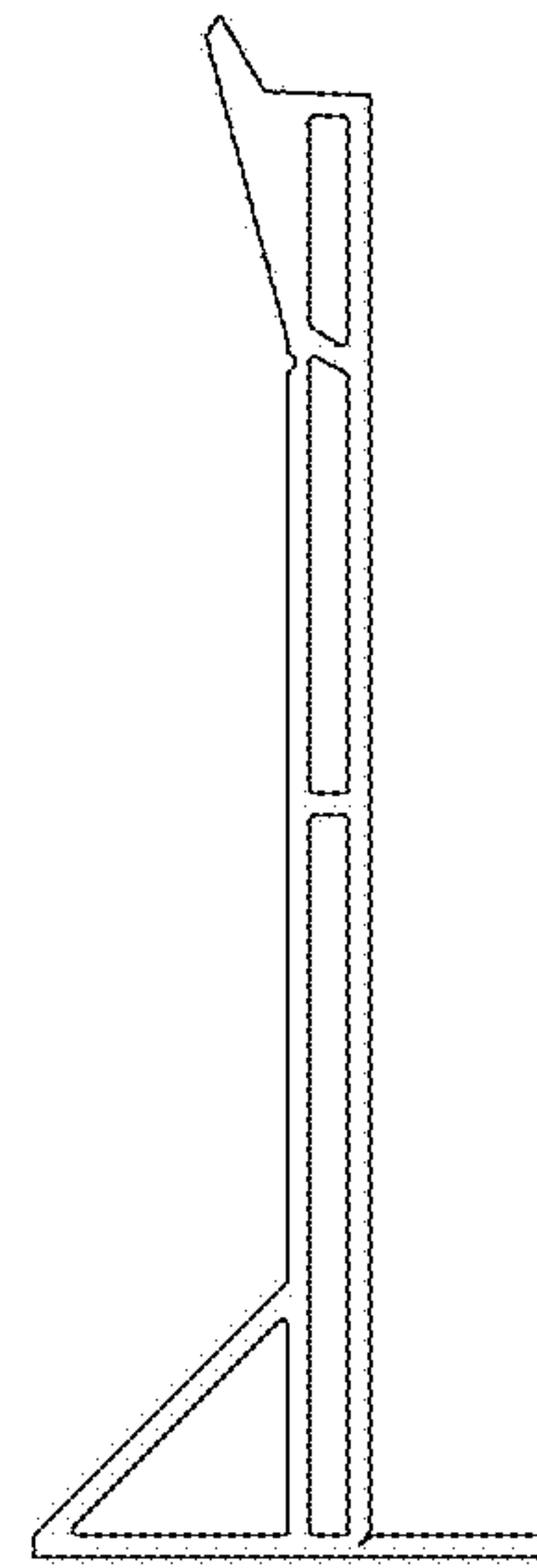


Figure 3

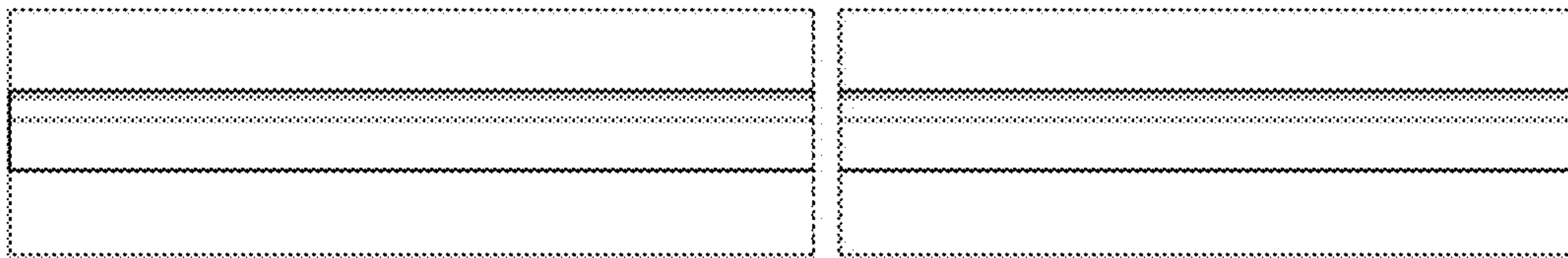


Figure 4

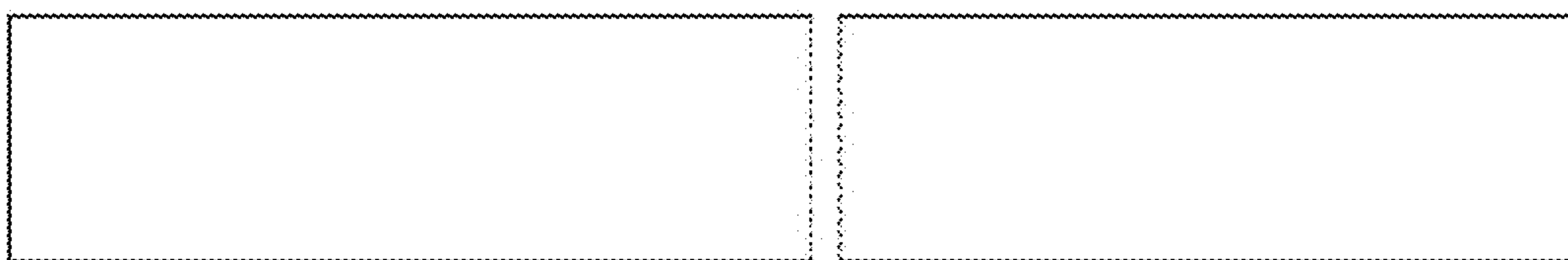


Figure 5

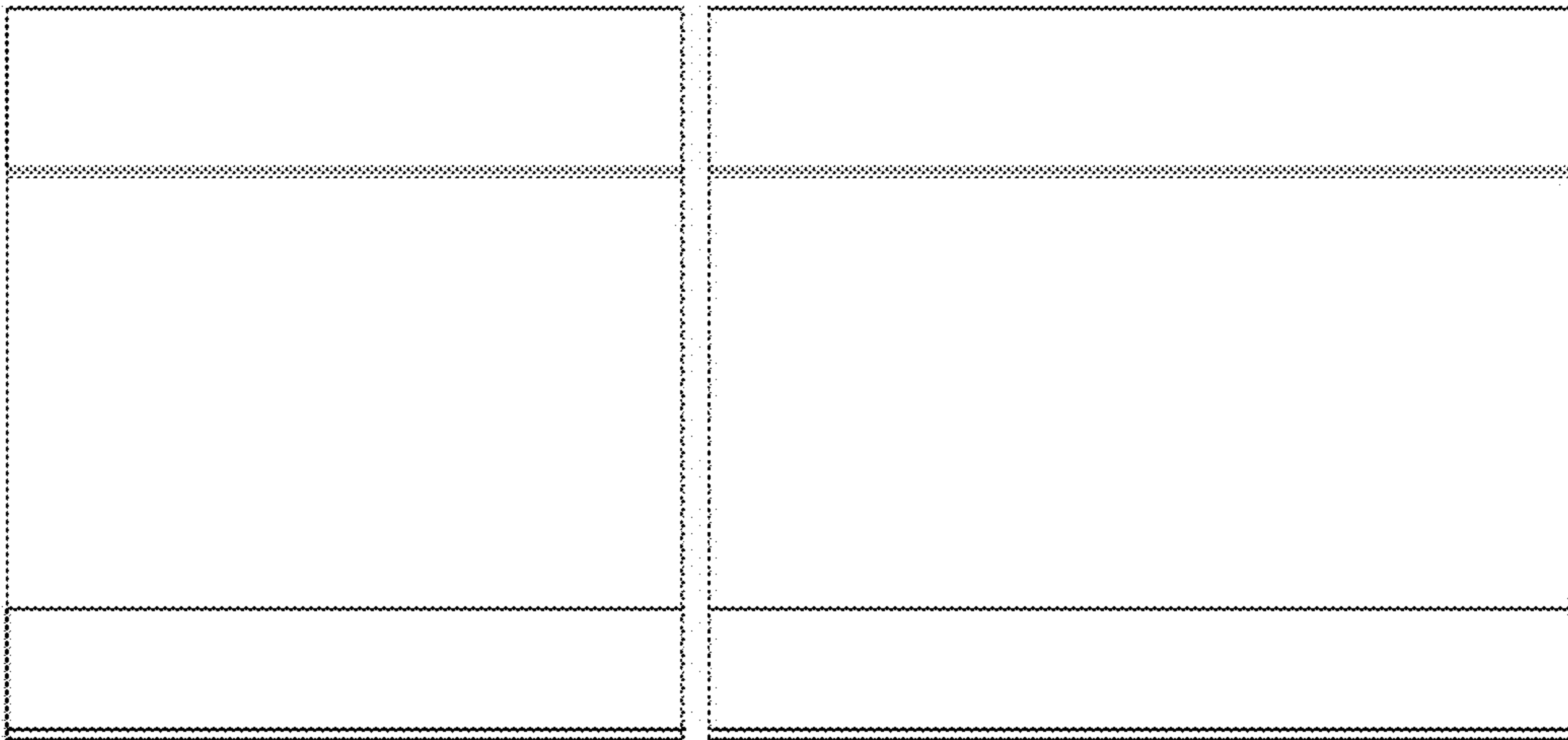


Figure 6

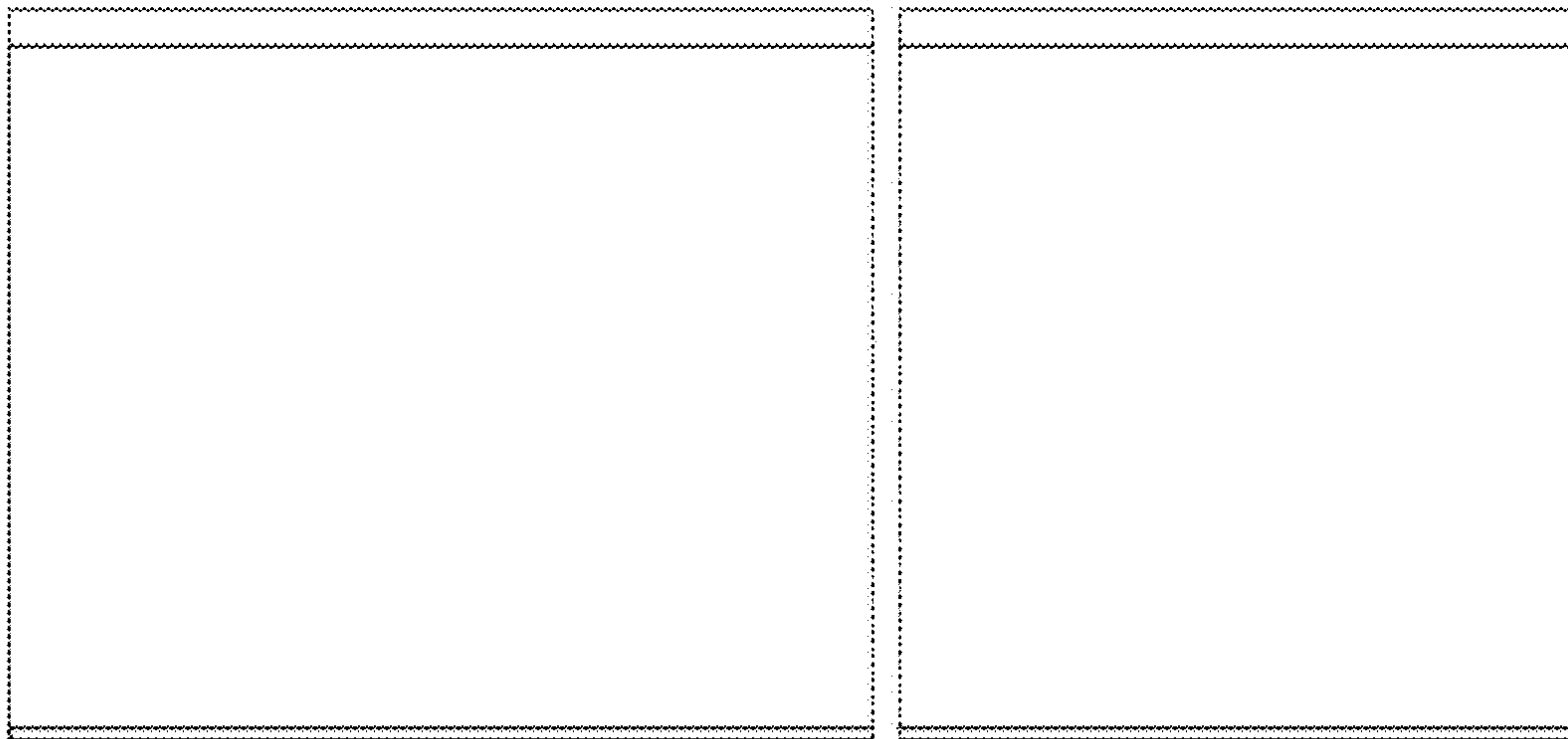


Figure 7