



US00D785198S

(12) **United States Design Patent** (10) **Patent No.:** **US D785,198 S**
Lemke et al. (45) **Date of Patent:** **** Apr. 25, 2017**

- (54) **CHROMATOGRAPH**
- (71) Applicant: **Agilent Technologies, Inc.**, Santa Clara, CA (US)
- (72) Inventors: **Gilbert Lemke**, Los Gatos, CA (US); **Thomas E. Price**, St. Georges, DE (US); **Jonathan Michael Frentzel**, Wilmington, DE (US); **Rafael Mulero**, Wilmington, DE (US)
- (73) Assignee: **Agilent Technologies, Inc.**, Santa Clara, CA (US)
- (**) Term: **15 Years**
- (21) Appl. No.: **29/533,485**
- (22) Filed: **Jul. 17, 2015**
- (51) **LOC (10) Cl.** **24-01**
- (52) **U.S. Cl.**
USPC **D24/232**
- (58) **Field of Classification Search**
USPC D24/216-219, 231, 232, 233, 107, 169, D24/186; D10/81
CPC G01N 2035/00306; G01N 2035/00326; G01N 2035/00336; G01N 30/027; G01N 2030/8804; G01N 2030/8809; G01N 2030/8813; G01N 2030/8881
See application file for complete search history.

- D712,066 S * 8/2014 Noda D24/216
- D734,484 S * 7/2015 Nishikawa D24/216
- D750,989 S * 3/2016 Shimizu D24/234
- 2013/0288355 A1* 10/2013 DeWitte G01N 30/06
435/288.6
- 2015/0040648 A1* 2/2015 Matsubara B01D 15/265
73/61.56

* cited by examiner

Primary Examiner — Anhdao Doan

(57) **CLAIM**

We claim the ornamental design for a chromatograph, as shown and described.

DESCRIPTION

FIG. 1 is a front perspective view of a chromatograph according to one embodiment.
 FIG. 2 is another front perspective view of the chromatograph illustrated in FIG. 1.
 FIG. 3 is a front elevation view of the chromatograph illustrated in FIG. 1.
 FIG. 4 is a rear elevation view of the chromatograph illustrated in FIG. 1.
 FIG. 5 is a top plan view of the chromatograph illustrated in FIG. 1.
 FIG. 6 is a bottom plan view of the chromatograph illustrated in FIG. 1.
 FIG. 7 is a right side view of the chromatograph illustrated in FIG. 1; and,
 FIG. 8 is a left side view of the chromatograph illustrated in FIG. 1.

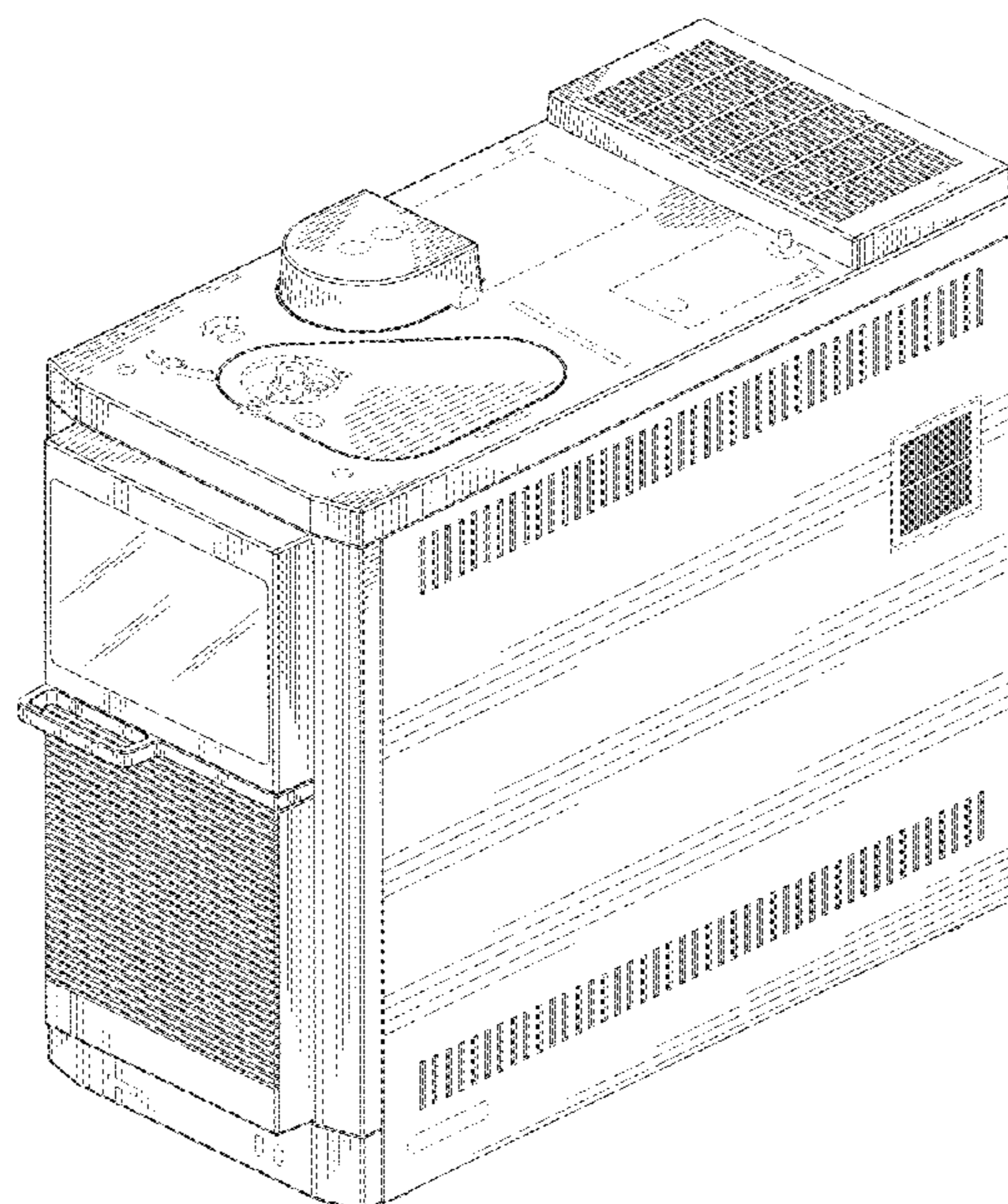
In the drawings, the broken lines illustrate portions of the chromatograph that form no part of the claimed design.

1 Claim, 8 Drawing Sheets

(56) **References Cited**

U.S. PATENT DOCUMENTS

- D364,576 S * 11/1995 Glaser D10/81
- D422,925 S 4/2000 Glaser et al.
- D637,931 S * 5/2011 Kimura D10/81
- D646,398 S * 10/2011 Oonuma D24/232



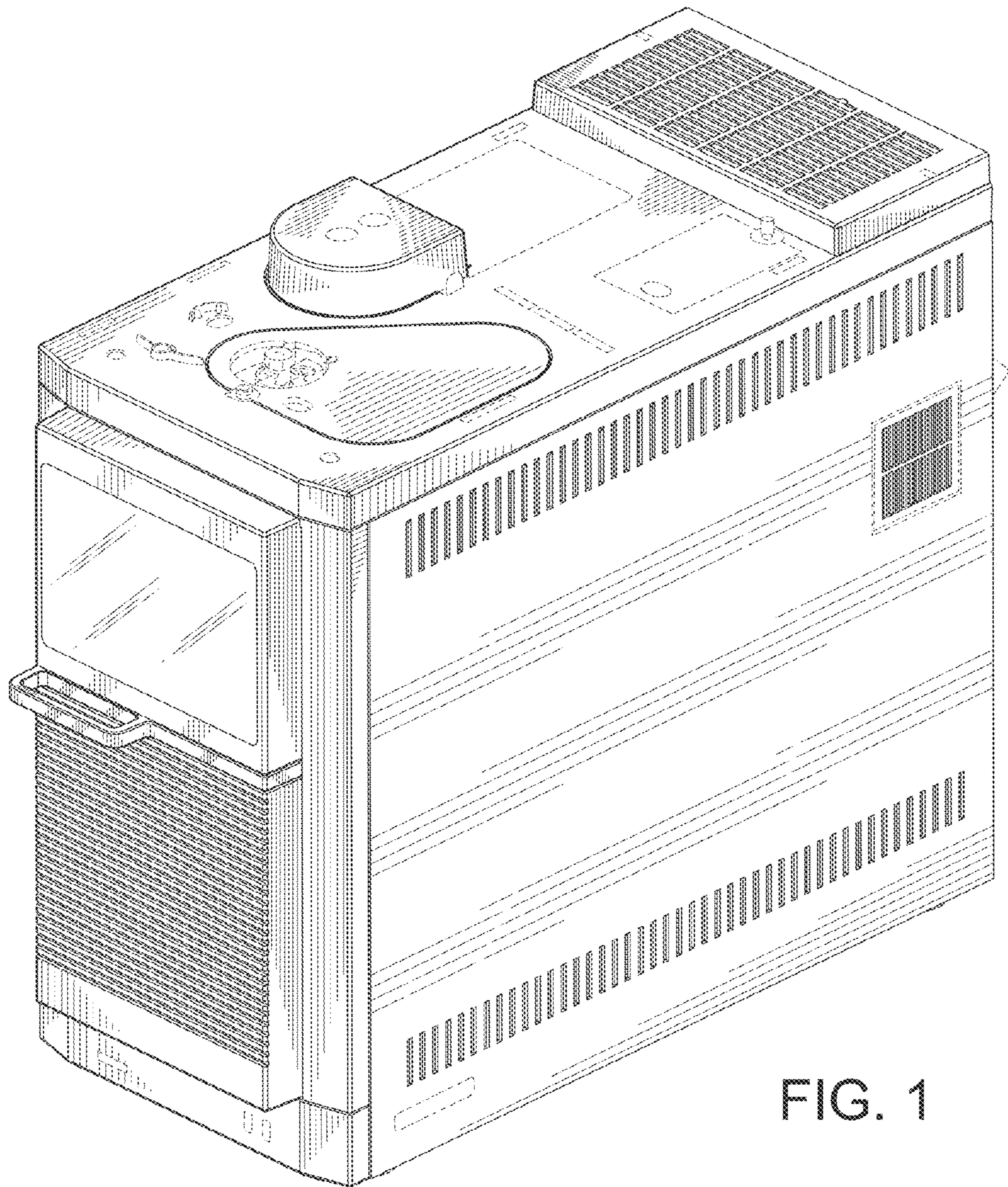


FIG. 1

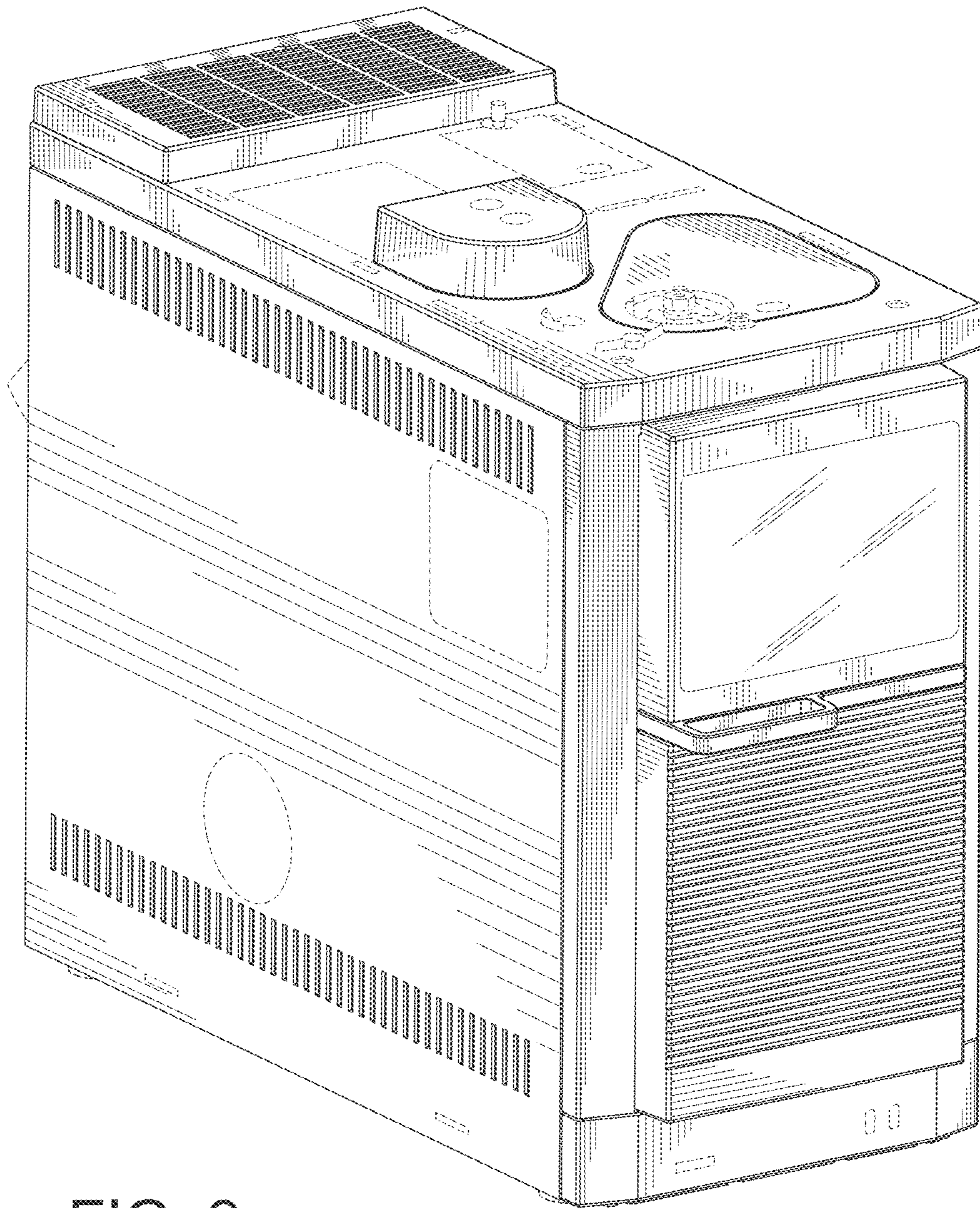


FIG. 2

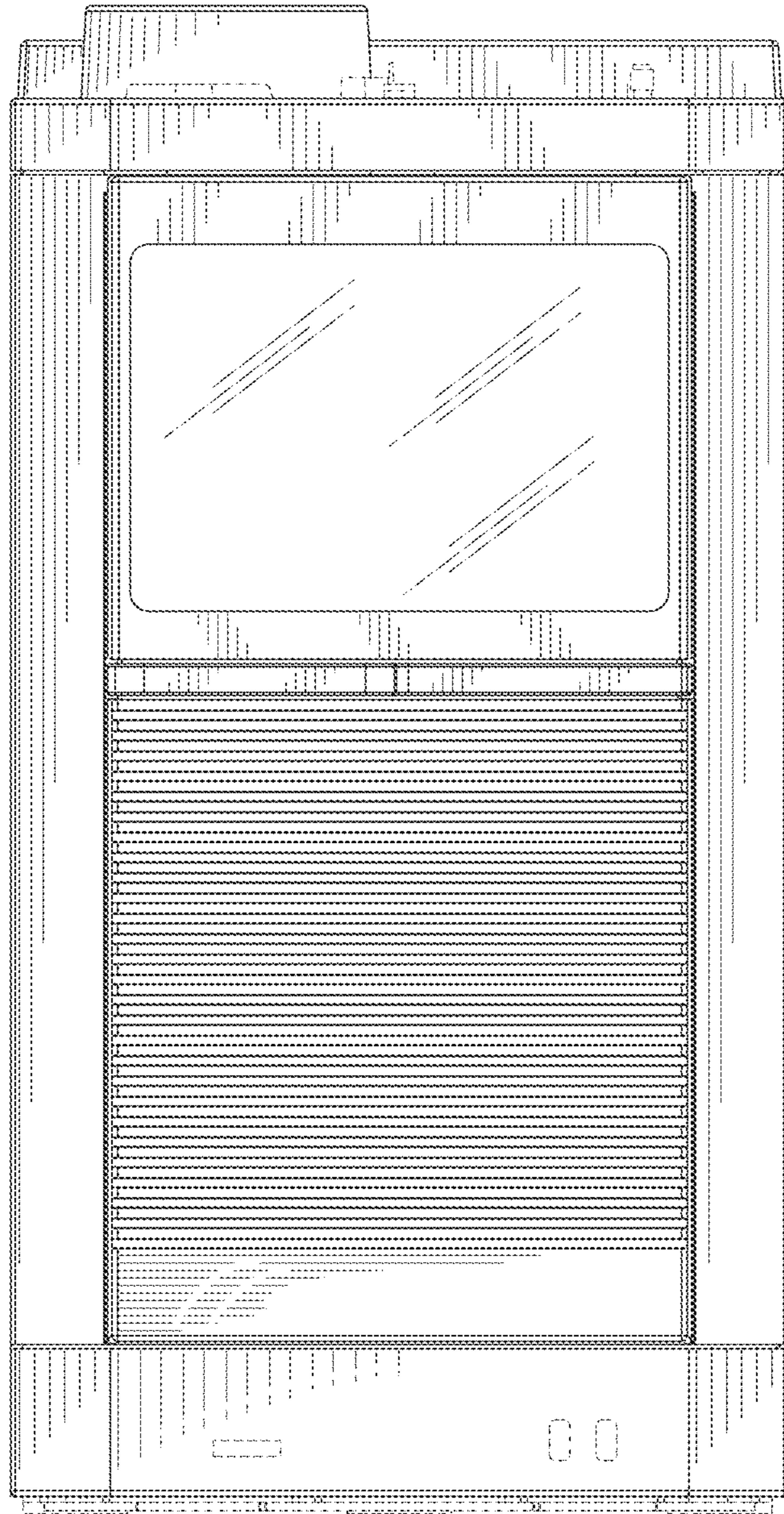


FIG. 3

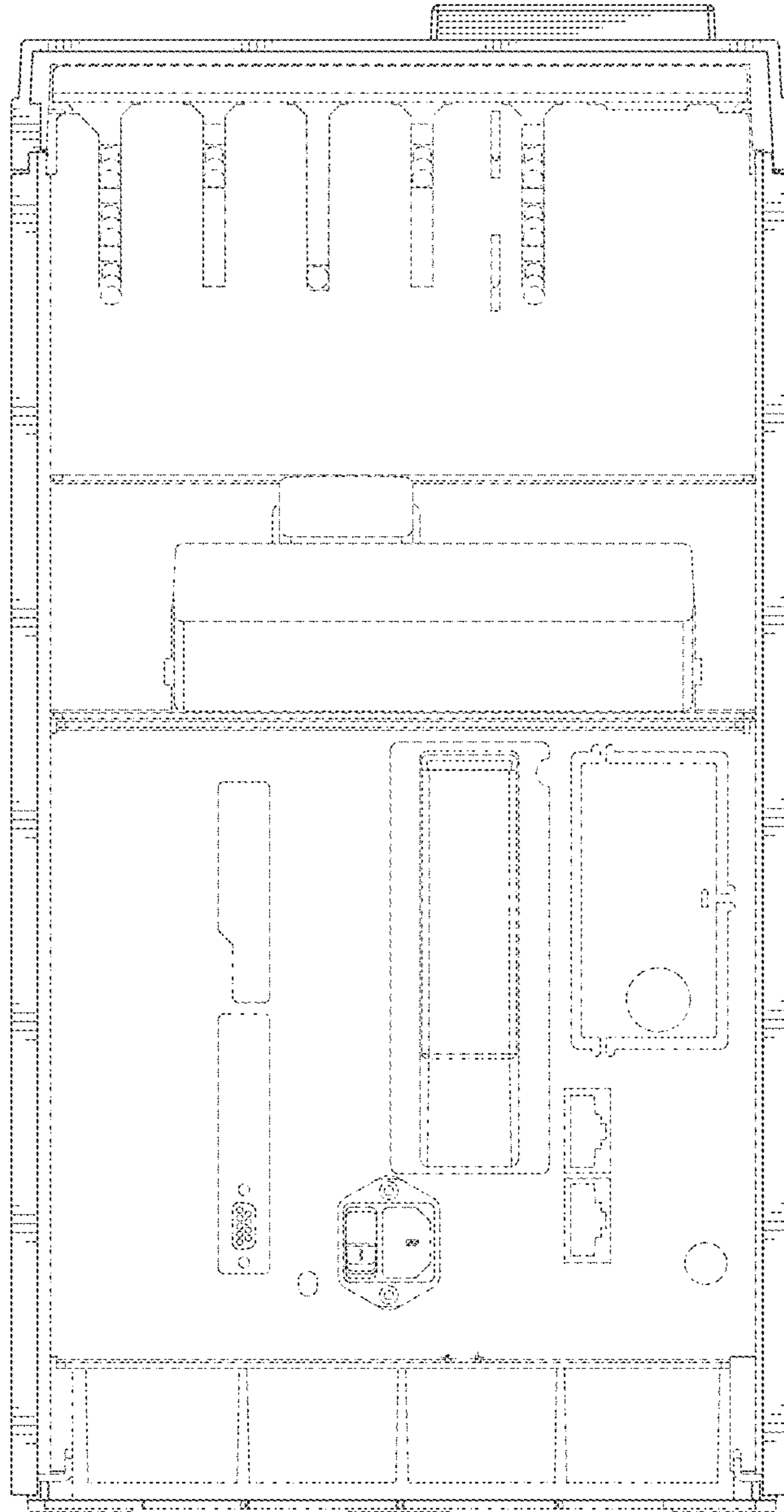


FIG. 4

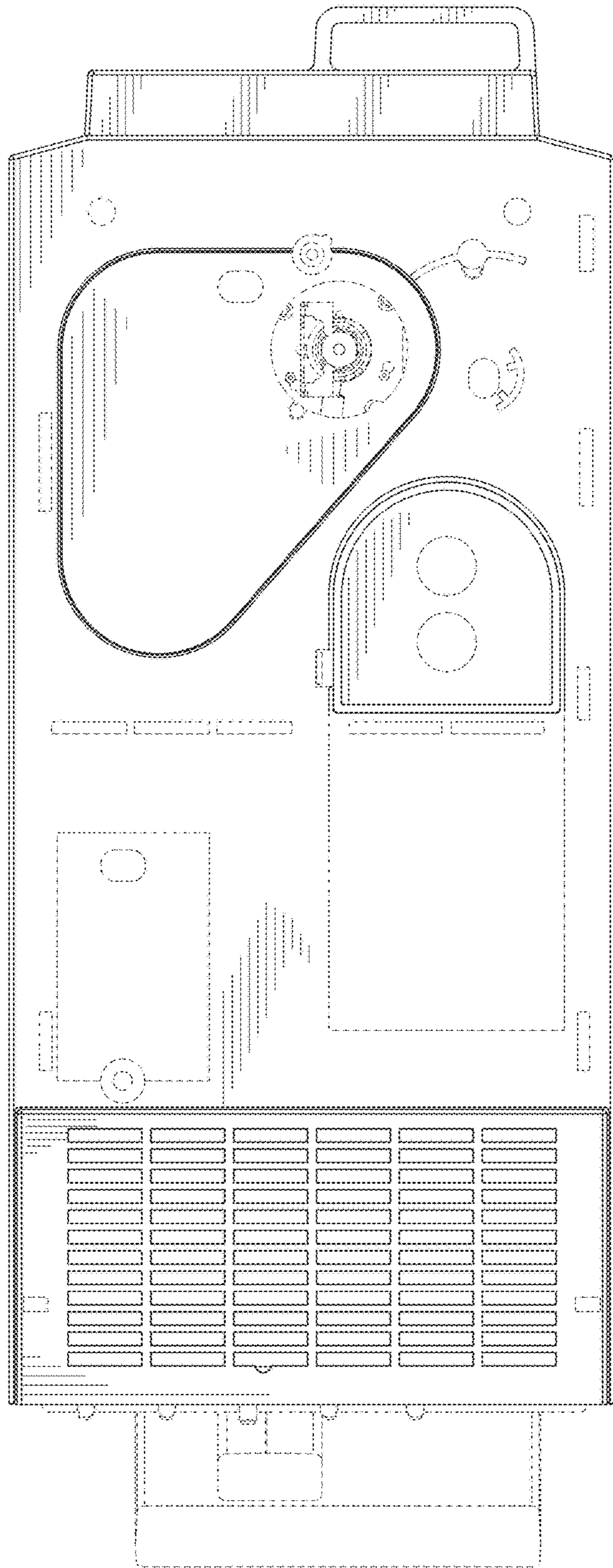


FIG. 5

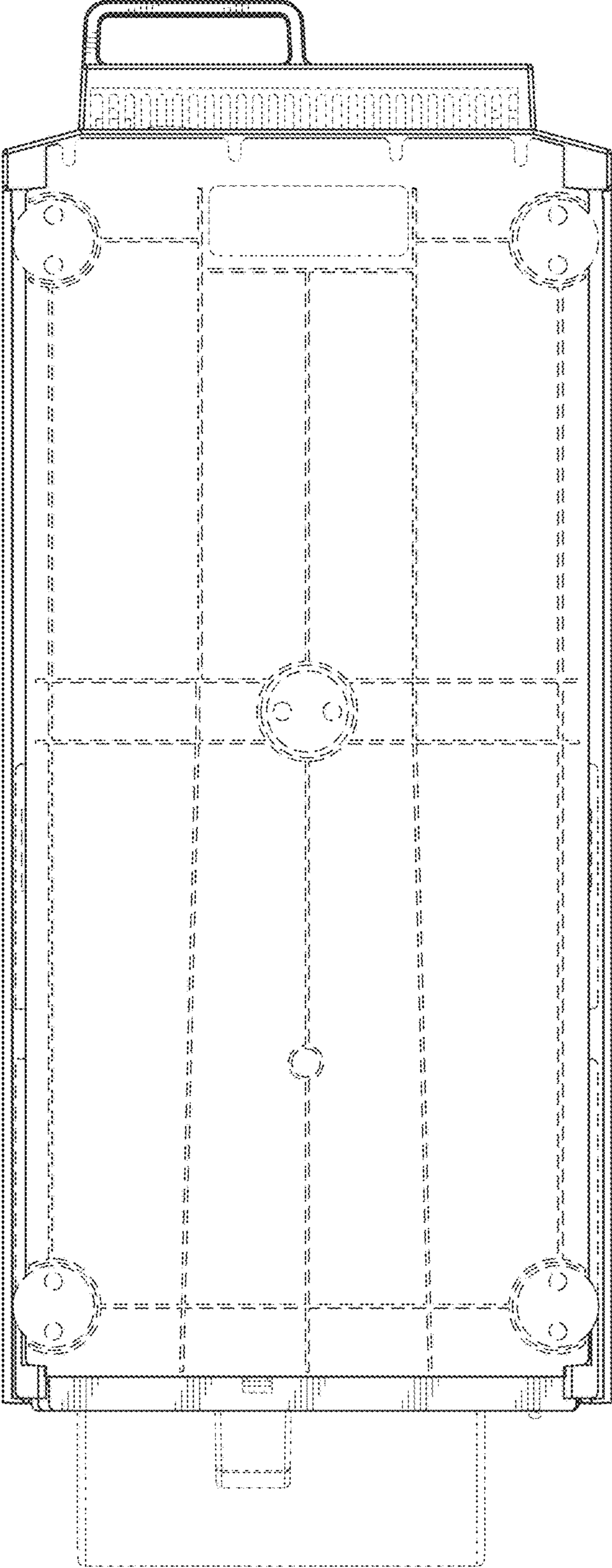


FIG. 6

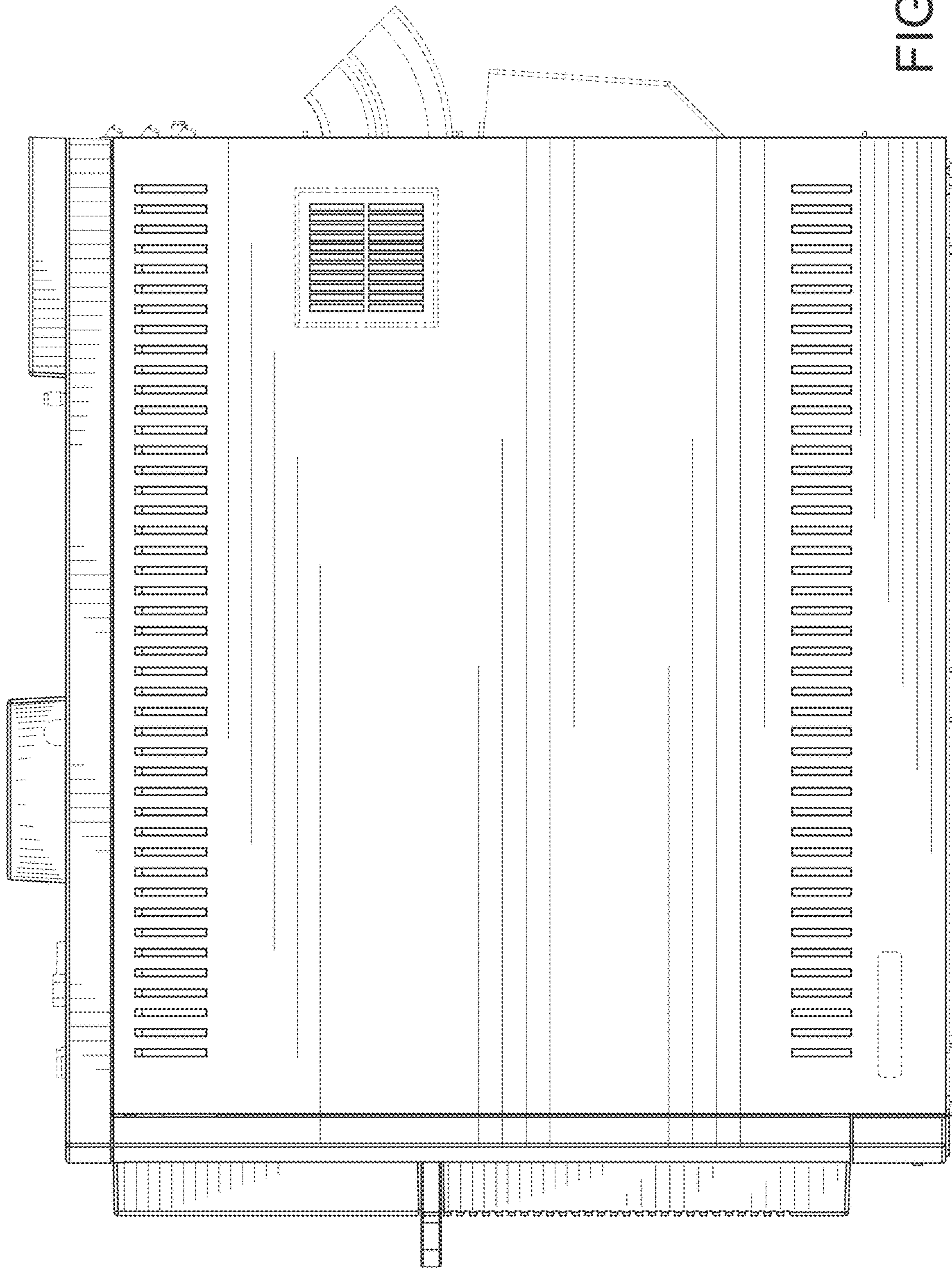


FIG. 7

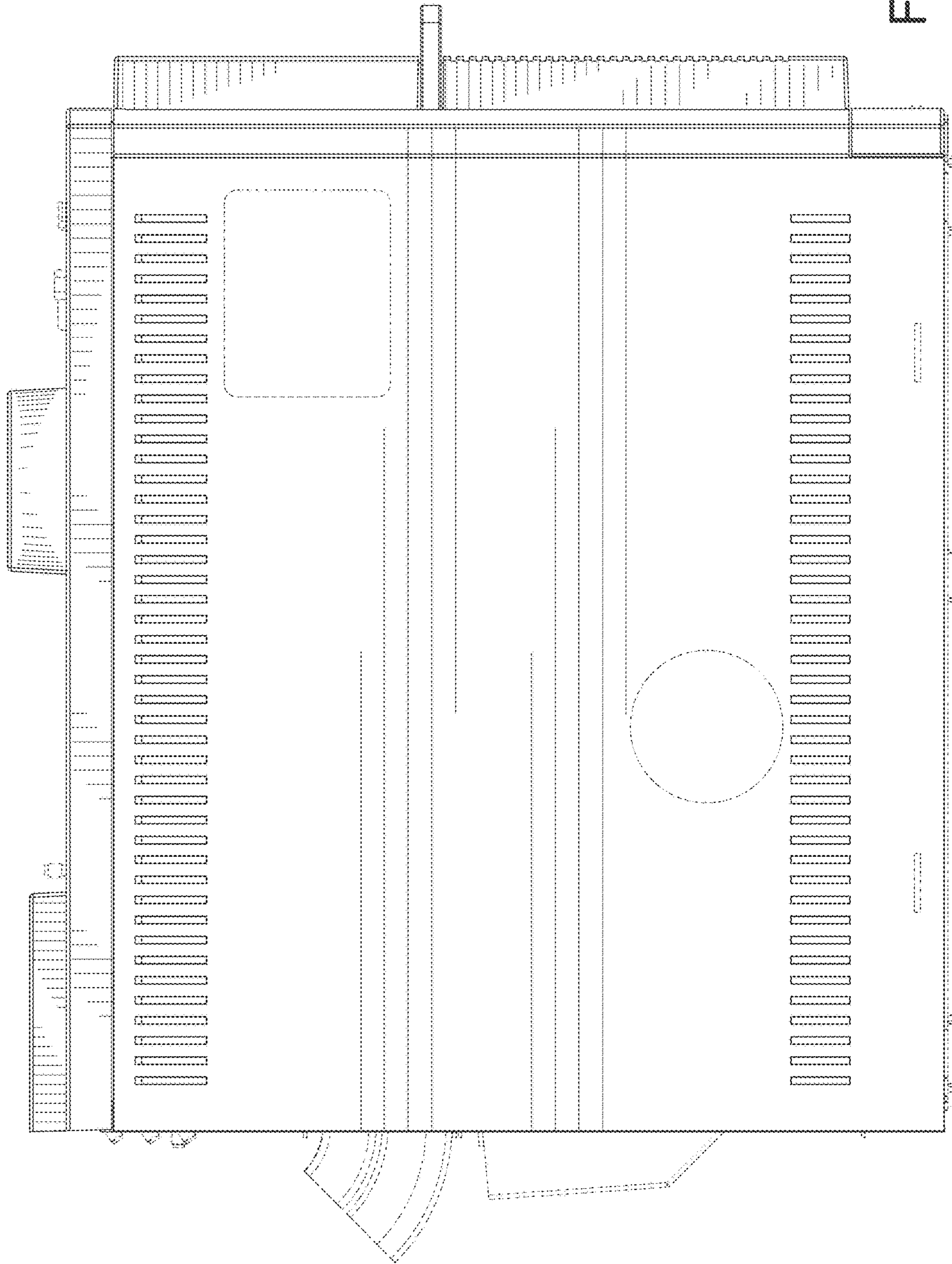


FIG. 8