



US00D785196S

(12) **United States Design Patent**
Goldberg

(10) **Patent No.:** **US D785,196 S**
(45) **Date of Patent:** **** Apr. 25, 2017**

(54) **LABORATORY GLASSWARE DRYING RACK**

(71) Applicant: **Purdue Pharma L.P.**, Cranbury, NJ
(US)

(72) Inventor: **Douglas Goldberg**, Hamilton, NJ (US)

(73) Assignee: **PURDUE PHARMA L.P.**, Stamford,
CT (US)

(**) Term: **14 Years**

(21) Appl. No.: **29/518,624**

(22) Filed: **Feb. 25, 2015**

(51) **LOC (10) Cl.** **24-02**

(52) **U.S. Cl.**
USPC **D24/230**

(58) **Field of Classification Search**
USPC D24/230, 227, 228, 229, 216;
211/71.041, 74-77, 41.3, 48, 117, 126.1;
422/530; 206/201, 563
CPC A47B 81/04; A47B 77/14
See application file for complete search history.

(56) **References Cited**

U.S. PATENT DOCUMENTS

- 843,826 A 2/1907 Kloeppinger
- 2,982,420 A * 5/1961 Wannemacher ... A47G 23/0633
211/74
- 3,258,127 A * 6/1966 Cushing A47L 15/506
211/41.8
- 3,379,315 A 4/1968 Broadwin
- 4,389,374 A * 6/1983 Sutton B04B 5/0421
206/201
- 4,573,586 A * 3/1986 Helmer B44D 3/04
206/563
- D305,836 S * 2/1990 Maia D24/230
- 5,071,002 A 12/1991 Bradley
- 6,193,892 B1 2/2001 Krueger et al.

- 6,212,793 B1 4/2001 Goad
- 6,264,895 B1 * 7/2001 Johnson B01D 3/10
34/80
- 7,066,330 B1 * 6/2006 Lashley B65D 73/0035
206/480
- 7,669,721 B2 * 3/2010 Kemper A47L 19/04
211/126.1
- 8,851,306 B2 * 10/2014 Spurr A47B 46/005
211/117

FOREIGN PATENT DOCUMENTS

CN 203018104 U 6/2013

* cited by examiner

Primary Examiner — Susan Bennett Hattan

Assistant Examiner — Rebecca Tsehaye

(74) *Attorney, Agent, or Firm* — Leason Ellis LLP

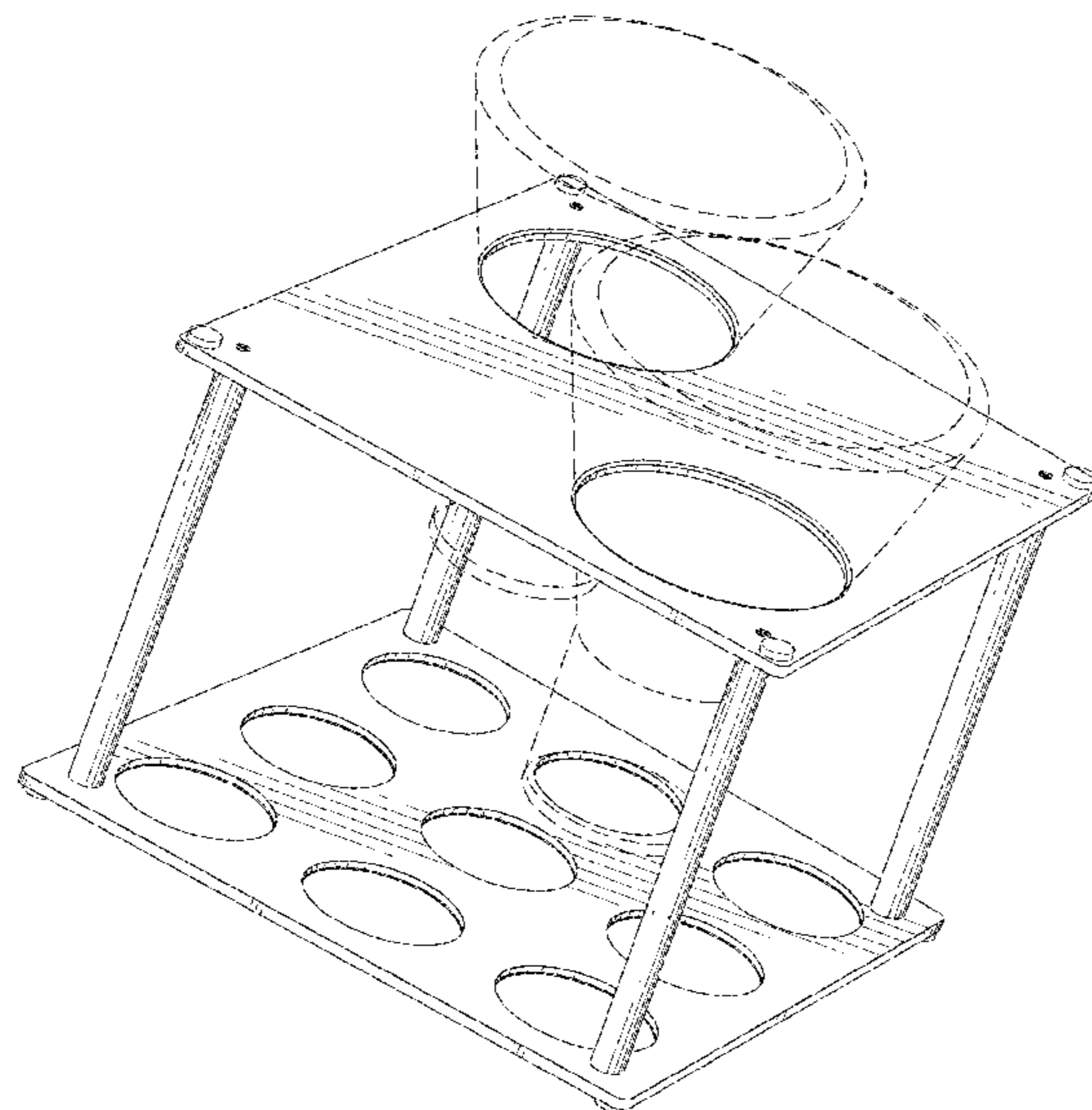
(57) **CLAIM**

The ornamental design for a laboratory glassware drying rack, as shown and described.

DESCRIPTION

FIG. 1 is a perspective view of a laboratory glassware drying rack showing my new design in a first orientation in which the feet and laboratory flasks are shown in broken lines; FIG. 2 is the perspective view of FIG. 1, now showing the laboratory glassware drying rack in a second orientation; FIG. 3 is a front plan view of FIG. 1; FIG. 4 is a side plan view of FIG. 3, rotated ninety degrees; FIG. 5 is a top plan view of FIG. 1; and, FIG. 6 is a bottom plan view of FIG. 1. The broken lines shown in the Figures of the flasks and feet, as well as their respective placement, size and configuration, illustrate the environment only and form no part of the claimed design.

1 Claim, 5 Drawing Sheets



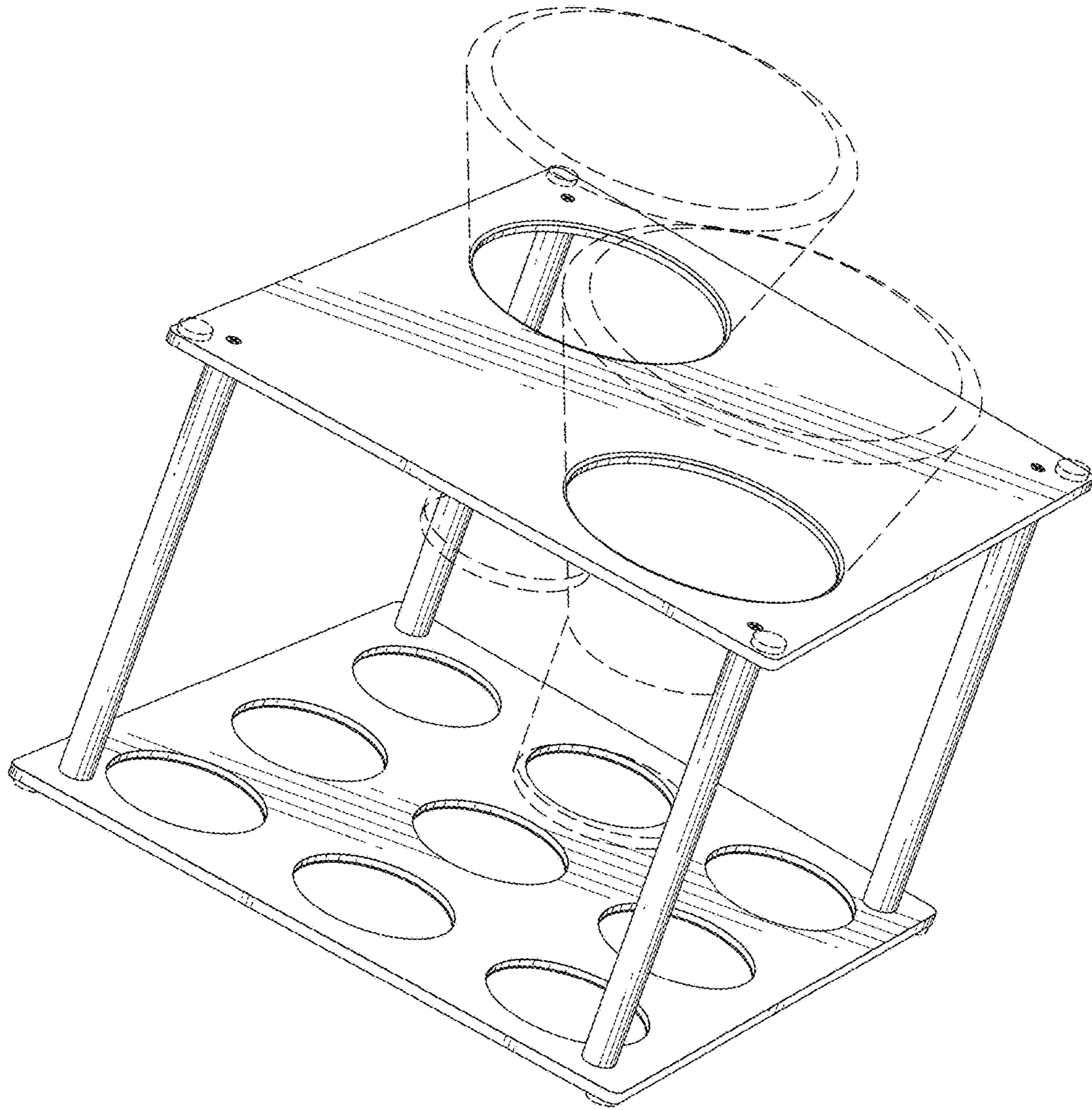


Fig. 1

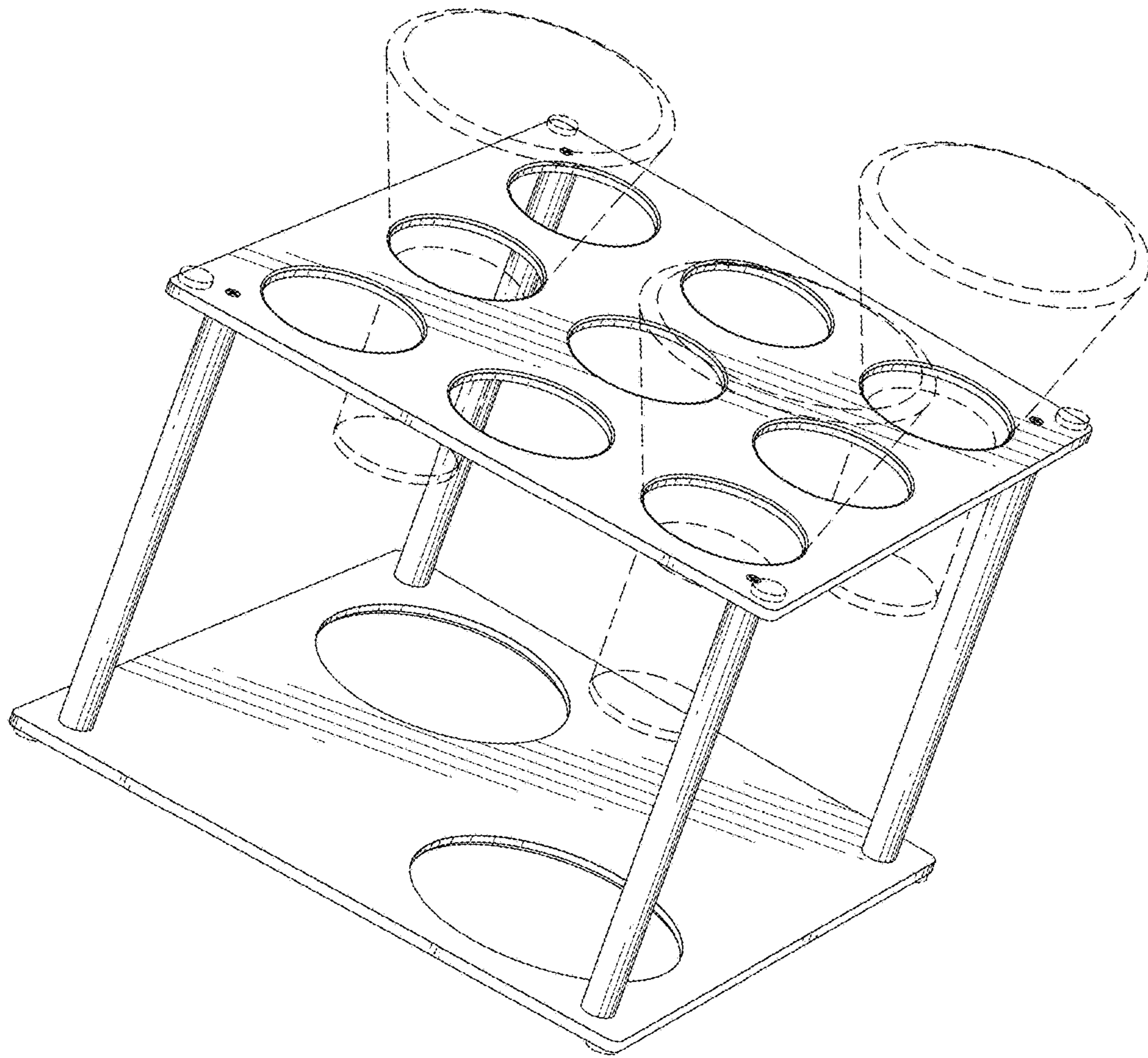


Fig. 2

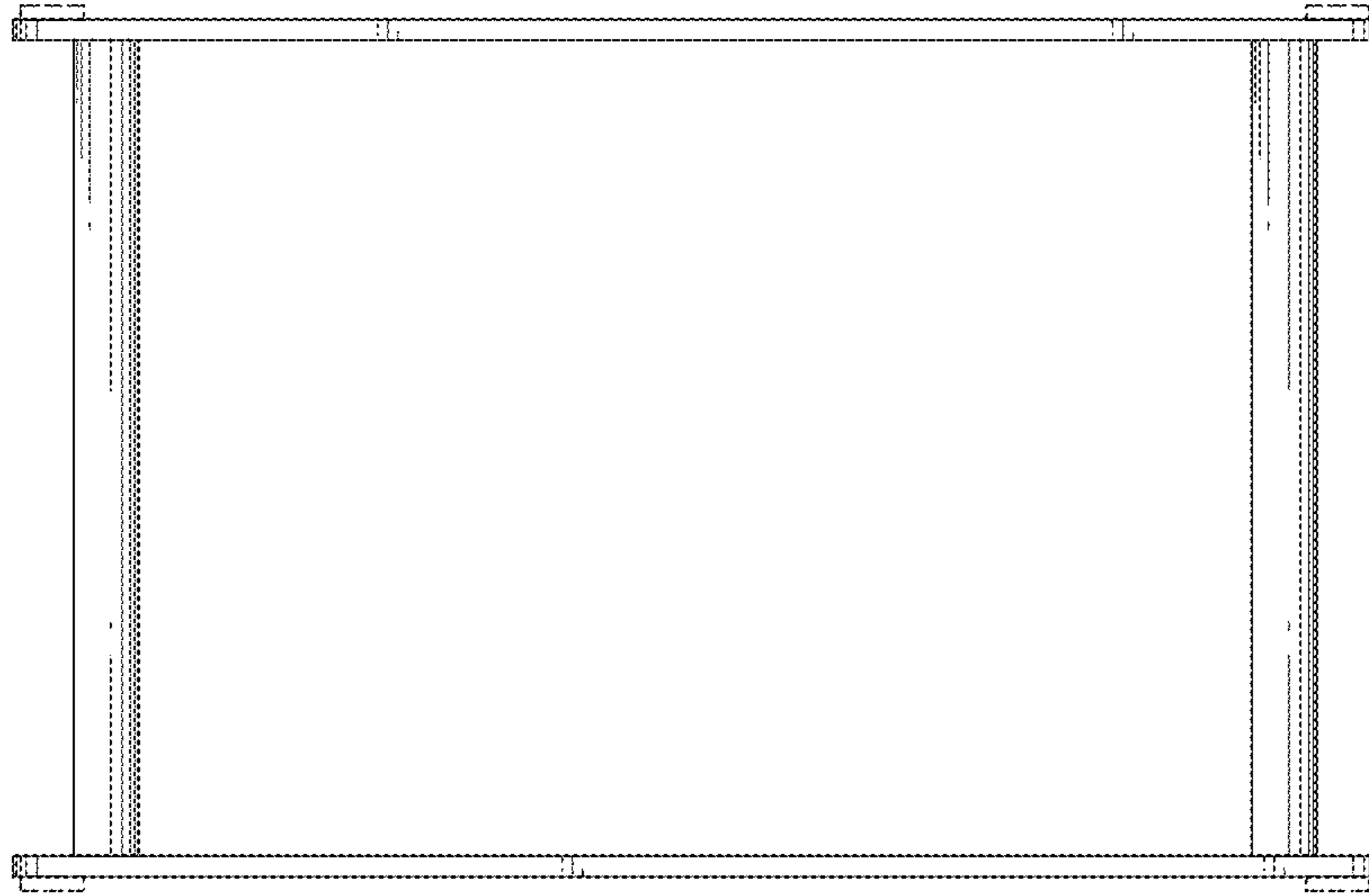


Fig. 3

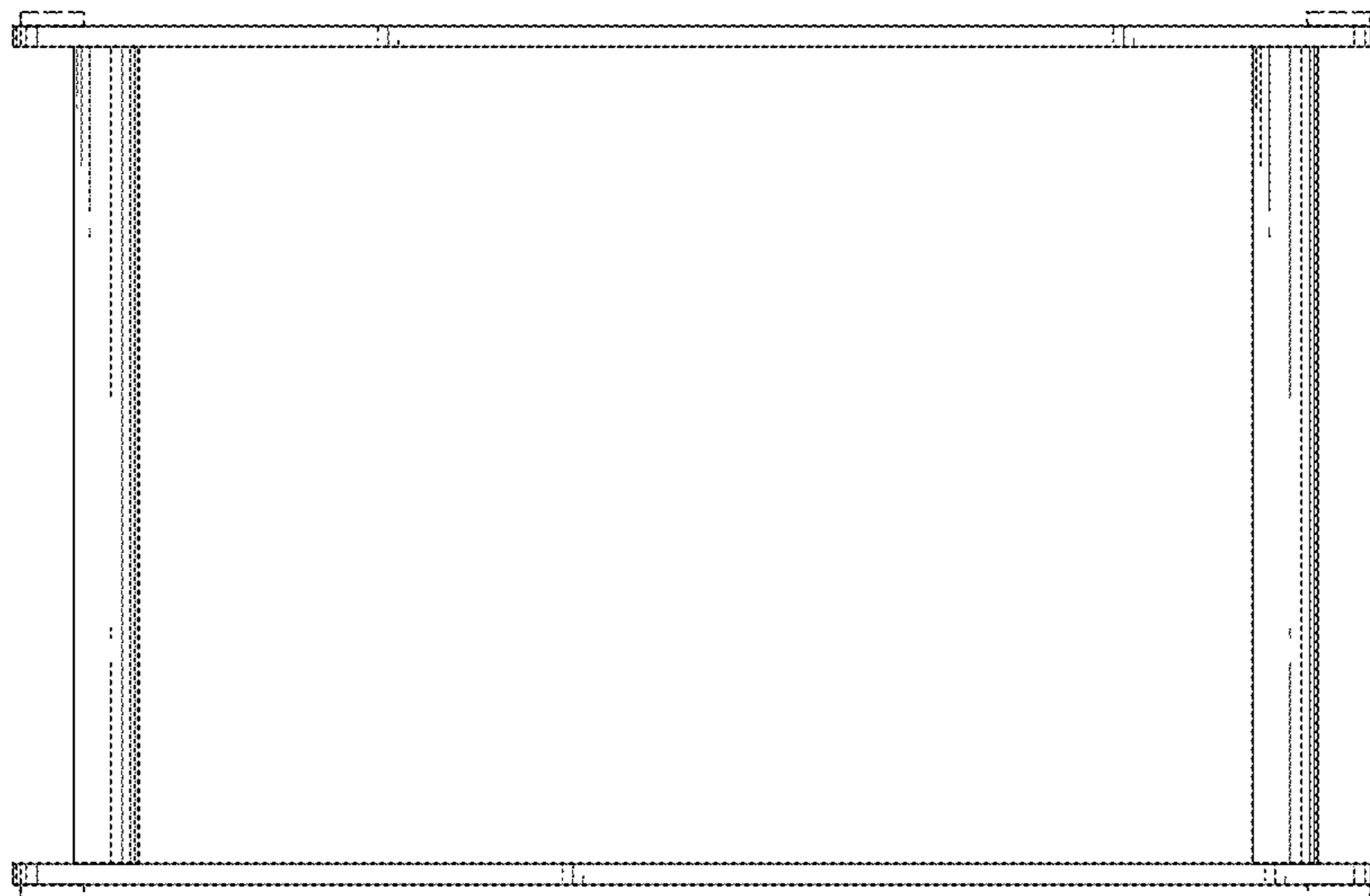


Fig. 4

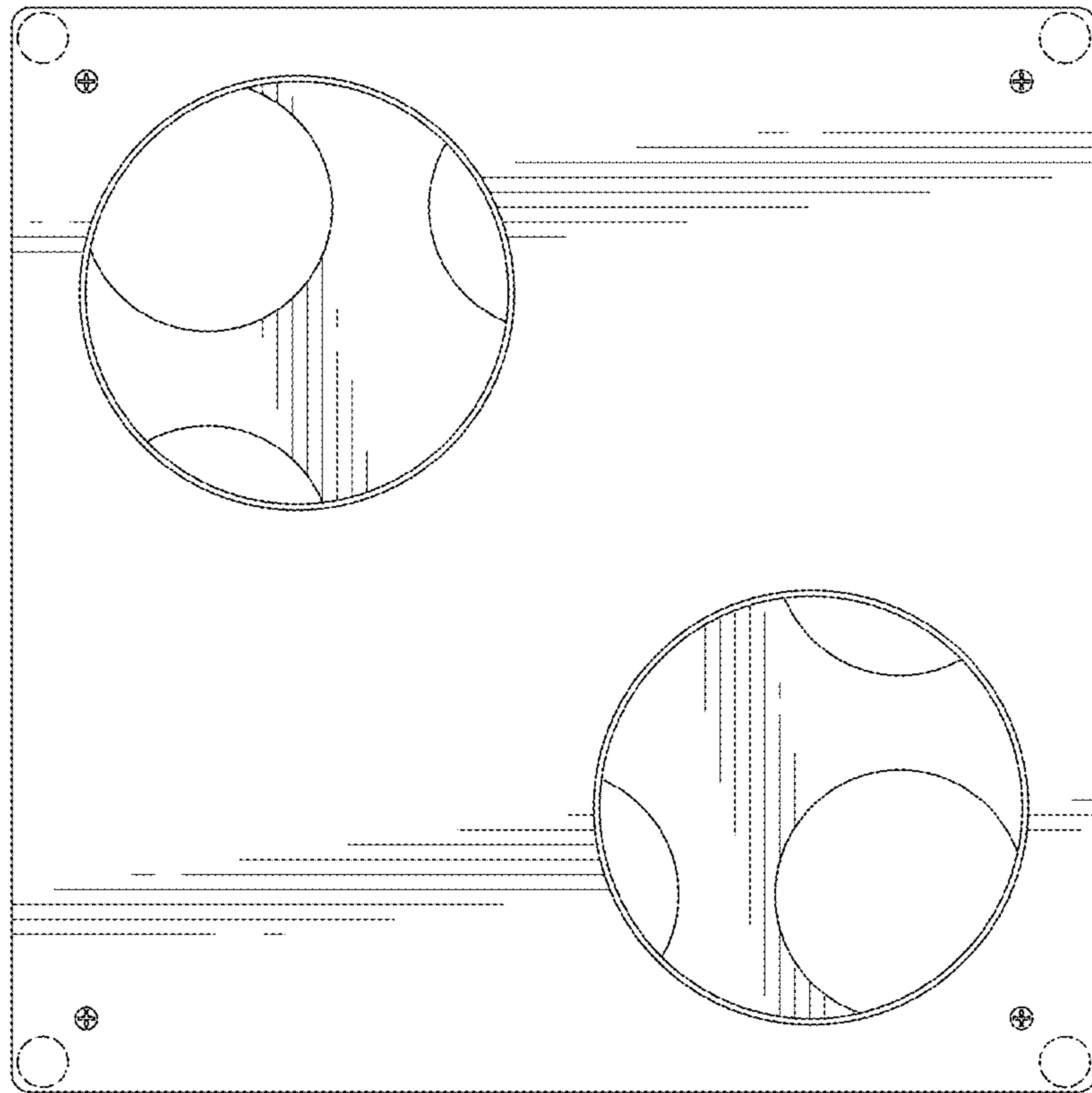


Fig. 5

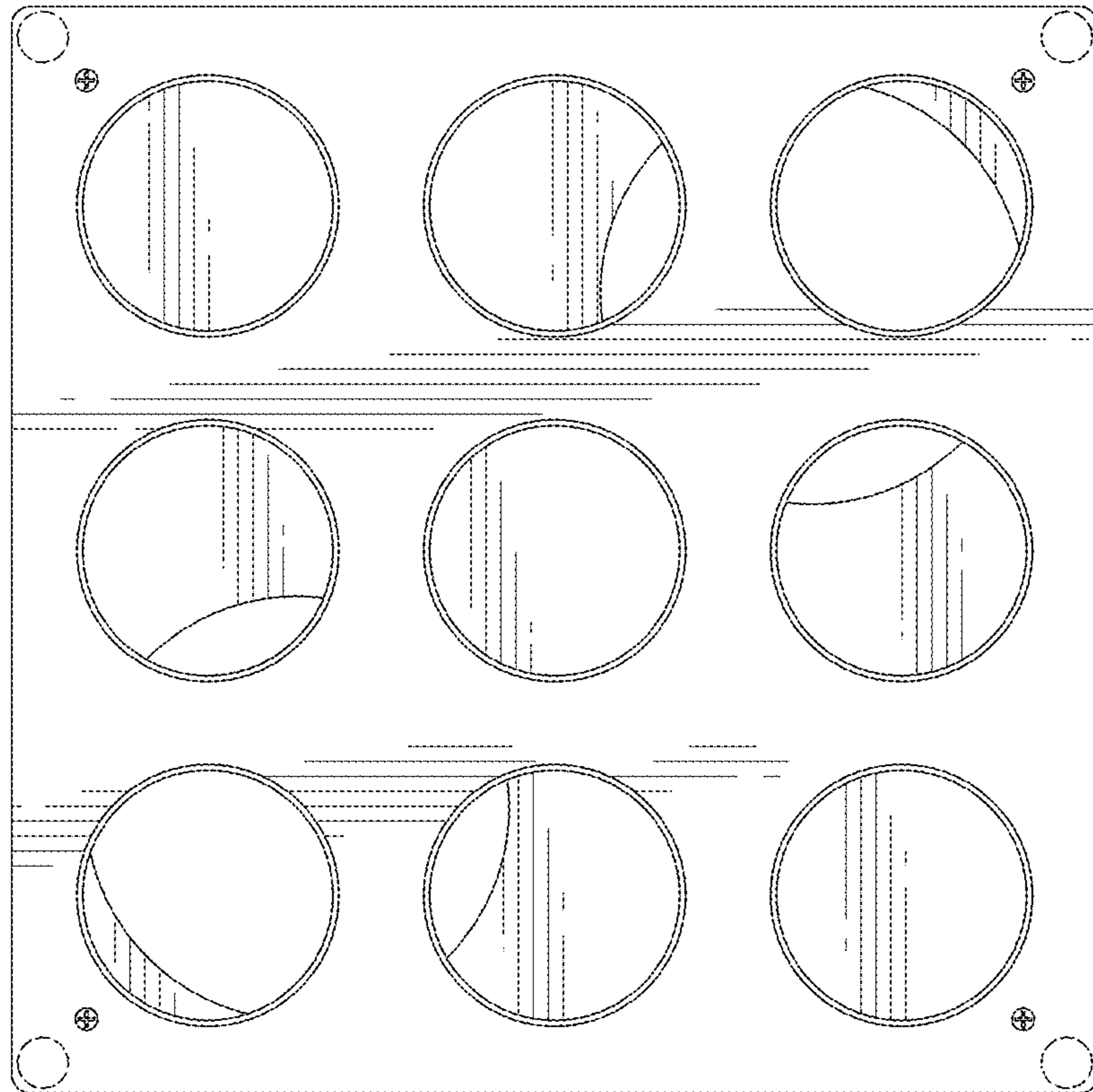


Fig. 6