



US00D785195S

(12) **United States Design Patent**
Owen et al.

(10) **Patent No.: US D785,195 S**
(45) **Date of Patent: ** Apr. 25, 2017**

(54) **BIOREACTOR VESSEL**

C12M 29/00; B01J 19/0093; A45D
40/221

(71) Applicant: **TAP Biosystems (PHC) Limited,**
Royston, Hertfordshire (GB)

See application file for complete search history.

(72) Inventors: **Stephen Owen,** Bourn (GB); **Daren**
Stephen Huttleston, Royston (GB)

(56) **References Cited**

(73) Assignee: **TAP Biosystems (PHC) Limited,**
Royston, Hertfordshire (GB)

U.S. PATENT DOCUMENTS

(**) Term: **14 Years**

4,634,675	A *	1/1987	Freedman	B01F 13/0827
					435/295.1
4,727,040	A *	2/1988	Freedman	C12M 29/00
					435/295.3
D370,263	S *	5/1996	Falkenberg	D24/224
D502,268	S *	2/2005	Sakai	D24/223
D522,145	S *	5/2006	Best	D10/81
D569,008	S *	5/2008	Lundqvist	D24/232
D604,165	S *	11/2009	Gilbert	D9/443

(21) Appl. No.: **29/488,551**

(Continued)

(22) Filed: **Apr. 21, 2014**

Primary Examiner — Ian Simmons

Assistant Examiner — Mark Cavanna

(30) **Foreign Application Priority Data**

(74) *Attorney, Agent, or Firm* — Dickinson Wright PLLC

Oct. 22, 2013 (EM) 001388110-0001

(51) **LOC (10) Cl.** **24-02**

(57) **CLAIM**

(52) **U.S. Cl.**

The ornamental design for a bioreactor vessel, as shown and described.

USPC **D24/224**

(58) **Field of Classification Search**

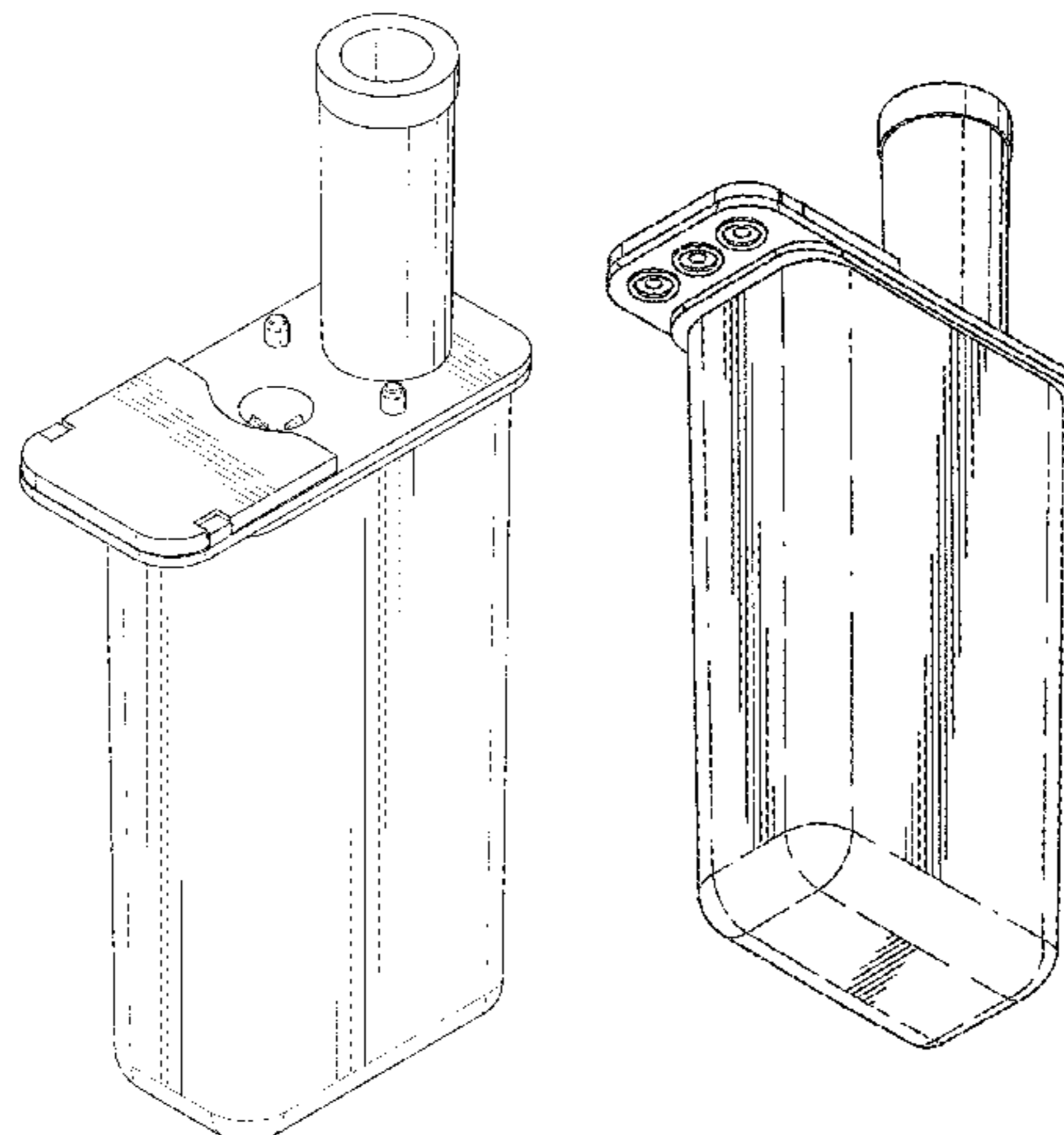
DESCRIPTION

USPC D24/216–232, 121; D3/203.1, 203.2;
D10/81, 78; 229/4.5; D9/429, 504, 516,
D9/529, 520–521, 446, 539, 443.523;
422/500, 547, 554, 556, 528, 501, 1, 400;
206/365; 215/224, 305, 306, 365, 230,
215/204; 435/288.1, 288.2, 304.1, 304.2,
435/295.1, 295.3, 302.1; 220/259.2,
220/560.04; 250/506.1; D7/608, 300.1,
D7/511

CPC A61M 5/1785; A61M 5/002; B65B 31/00;
B01L 3/50825; B01L 3/0275; B01L 3/08;
B01L 3/502738; B01L 3/502; B01F
13/0827; B01F 11/0082; B65D 3/22;
B65D 50/061; B65D 51/243; A61L 2/04;

FIG. 1 is a top perspective view of the bioreactor vessel of the invention;
FIG. 2 is a bottom perspective view of the bioreactor vessel of FIG. 1;
FIG. 3 is a right side view of the bioreactor vessel of FIG. 1;
FIG. 4 is a left side view of the bioreactor vessel of FIG. 1;
FIG. 5 is a front view of the bioreactor vessel of FIG. 1;
FIG. 6 is a rear view of the bioreactor vessel of FIG. 1;
FIG. 7 is a top view of the bioreactor vessel of FIG. 1; and,
FIG. 8 is a bottom view of the bioreactor vessel of FIG. 1.
The broken lines located within the circle located on the top of the bioreactor vessel and seen in FIGS. 1 and 7 are

(Continued)



included for the purpose of illustrating unclaimed portions of the bioreactor vessel and form no part of the claimed design.

1 Claim, 8 Drawing Sheets

(56) **References Cited**

U.S. PATENT DOCUMENTS

D641,866	S	*	7/2011	Burgess	D24/121
D642,282	S	*	7/2011	Bargh	D24/224
D658,307	S	*	4/2012	Recchi	D24/216
D665,283	S	*	8/2012	Nishimoto	D10/81
D678,544	S	*	3/2013	Mueller	D24/216
D690,826	S	*	10/2013	Kuroda	D24/224
D723,373	S	*	3/2015	Wahl	D9/523
D731,672	S	*	6/2015	Kuroda	D24/224
D735,880	S	*	8/2015	Bargh	D24/224
D748,813	S	*	2/2016	Ishiguro	D24/224
2003/0008389	A1	*	1/2003	Carll	B01F 11/0082
						435/302.1
2012/0058553	A1	*	3/2012	Haywood	B01L 3/502
						422/547

* cited by examiner

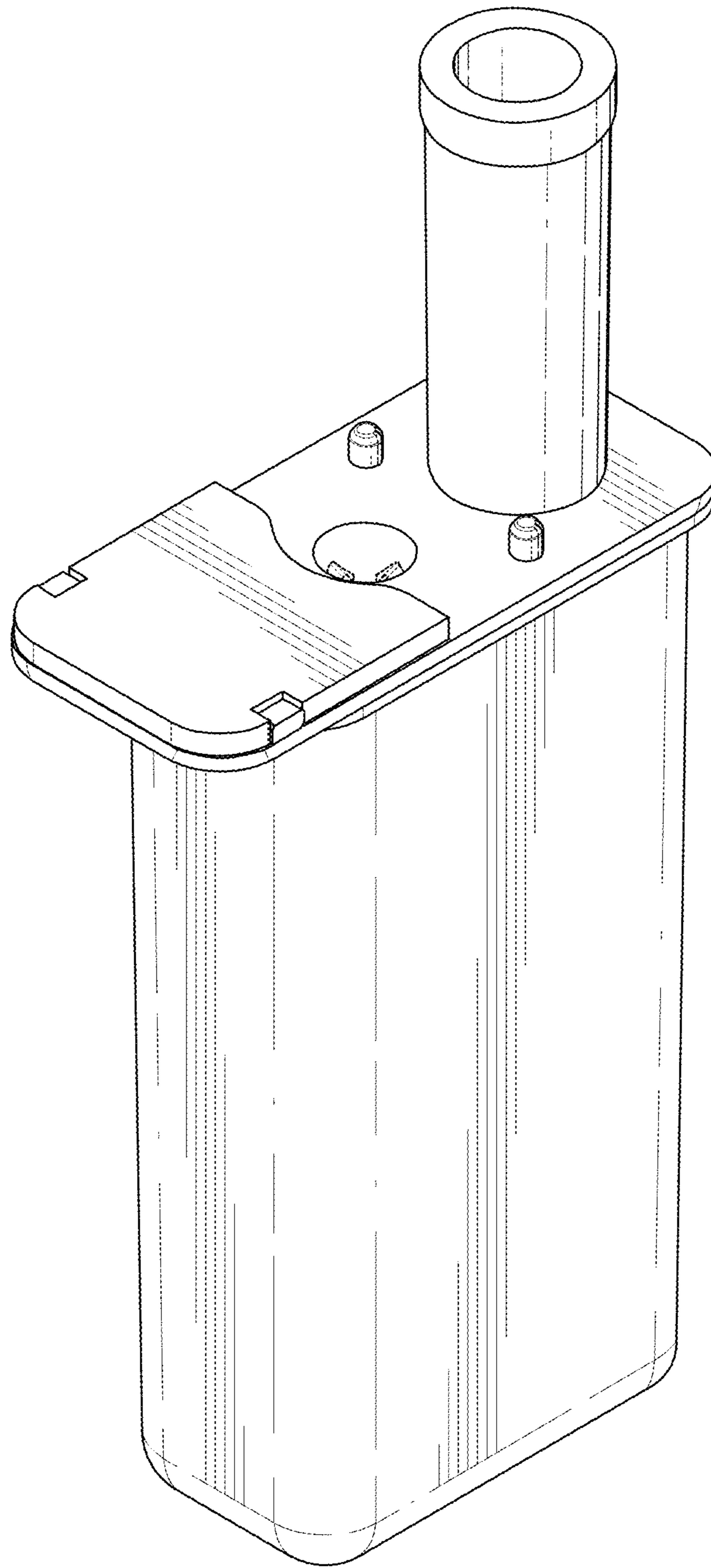


FIG. 1

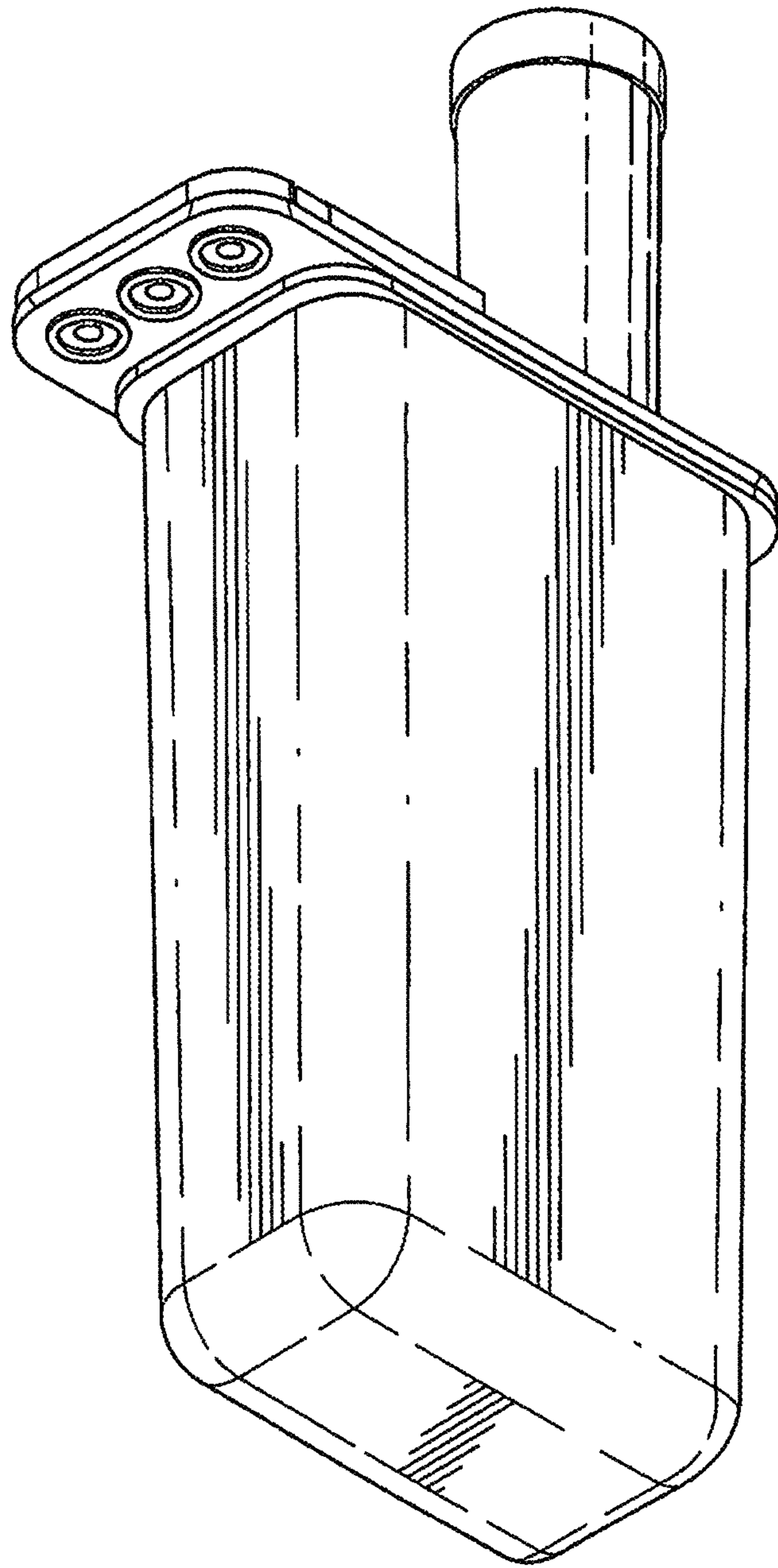


FIG. 2

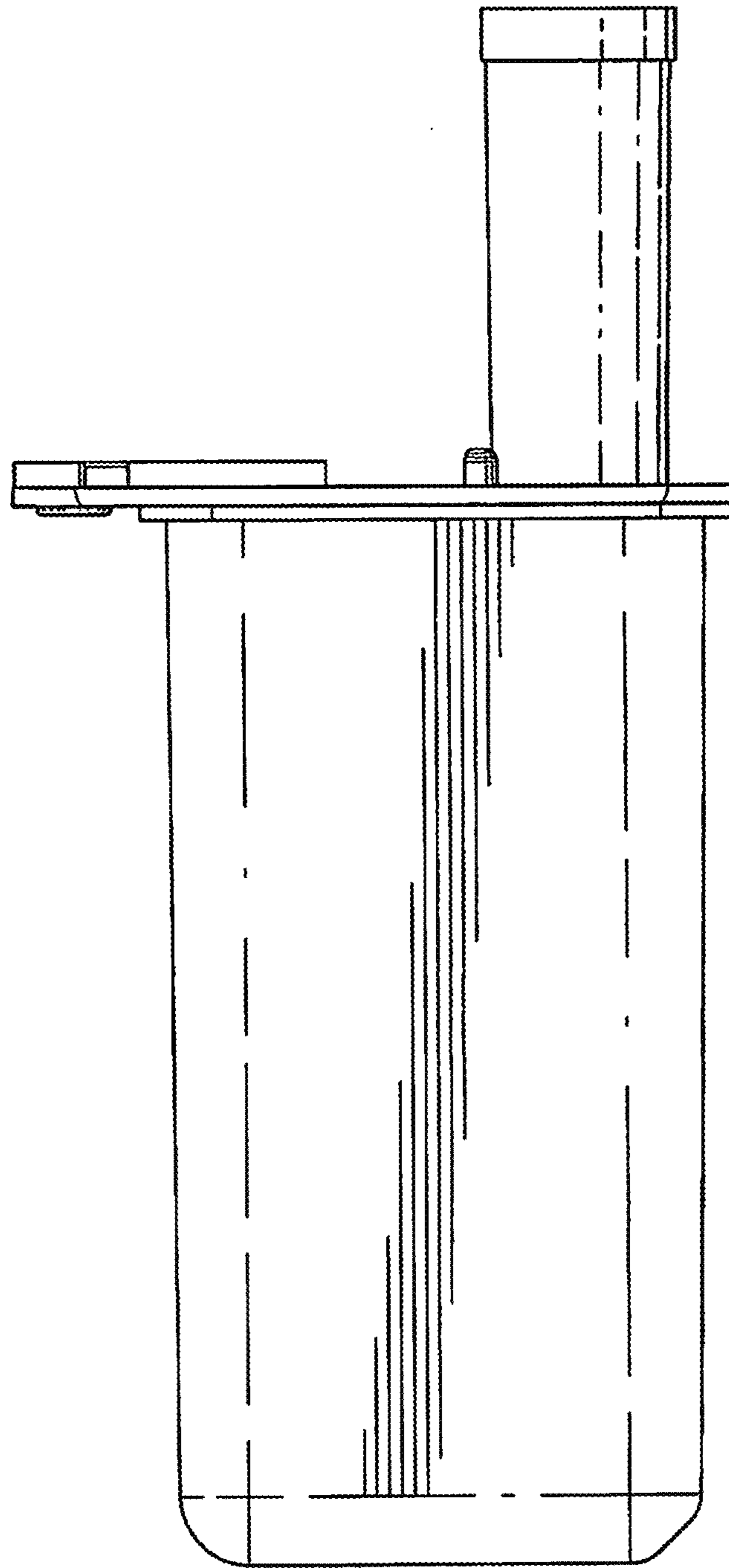


FIG. 3

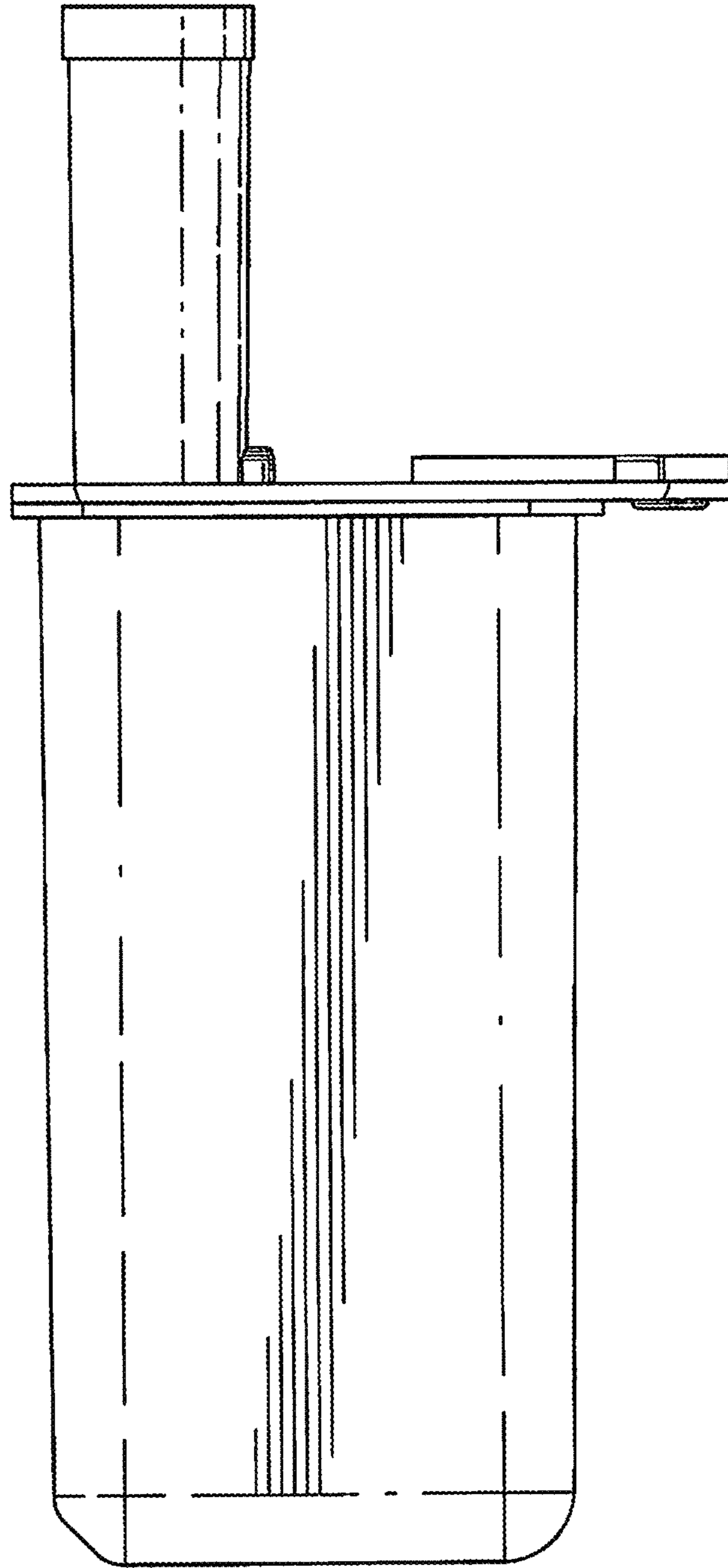


FIG. 4

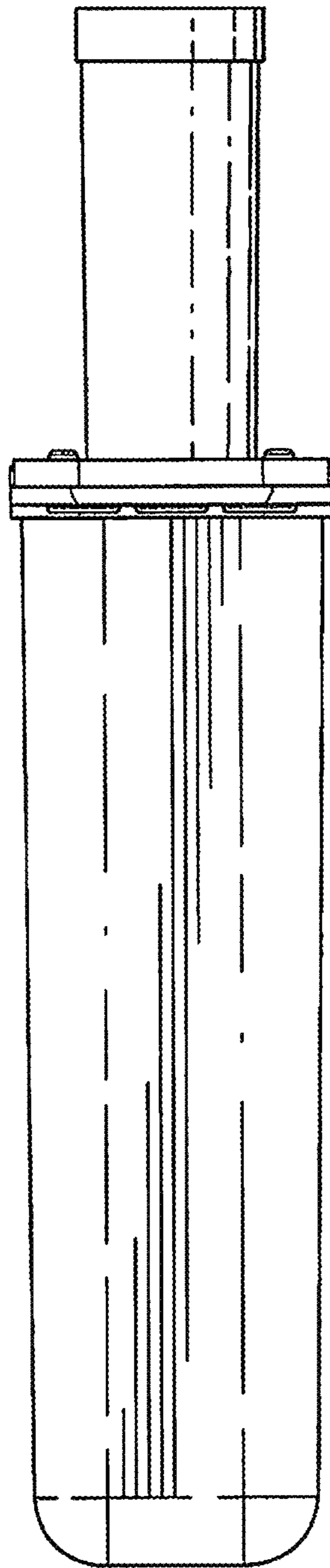


FIG. 5

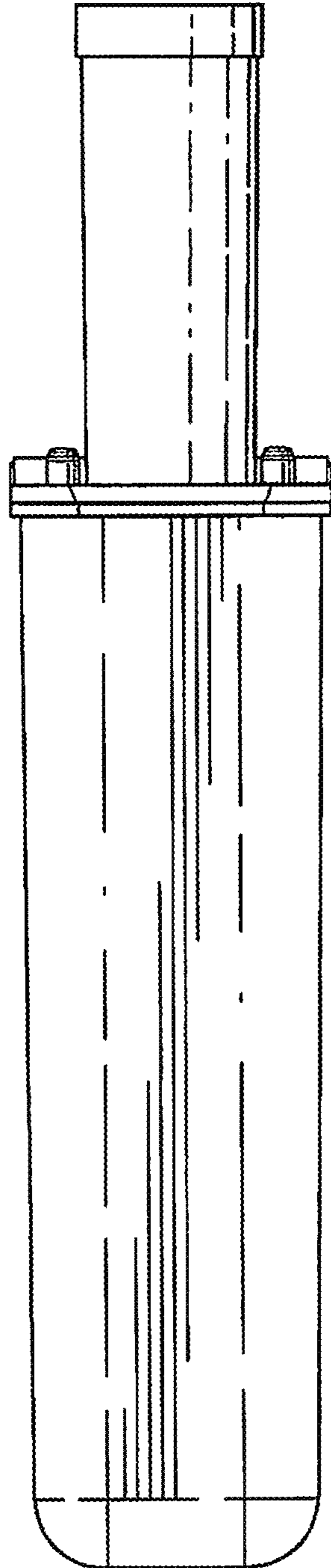


FIG. 6

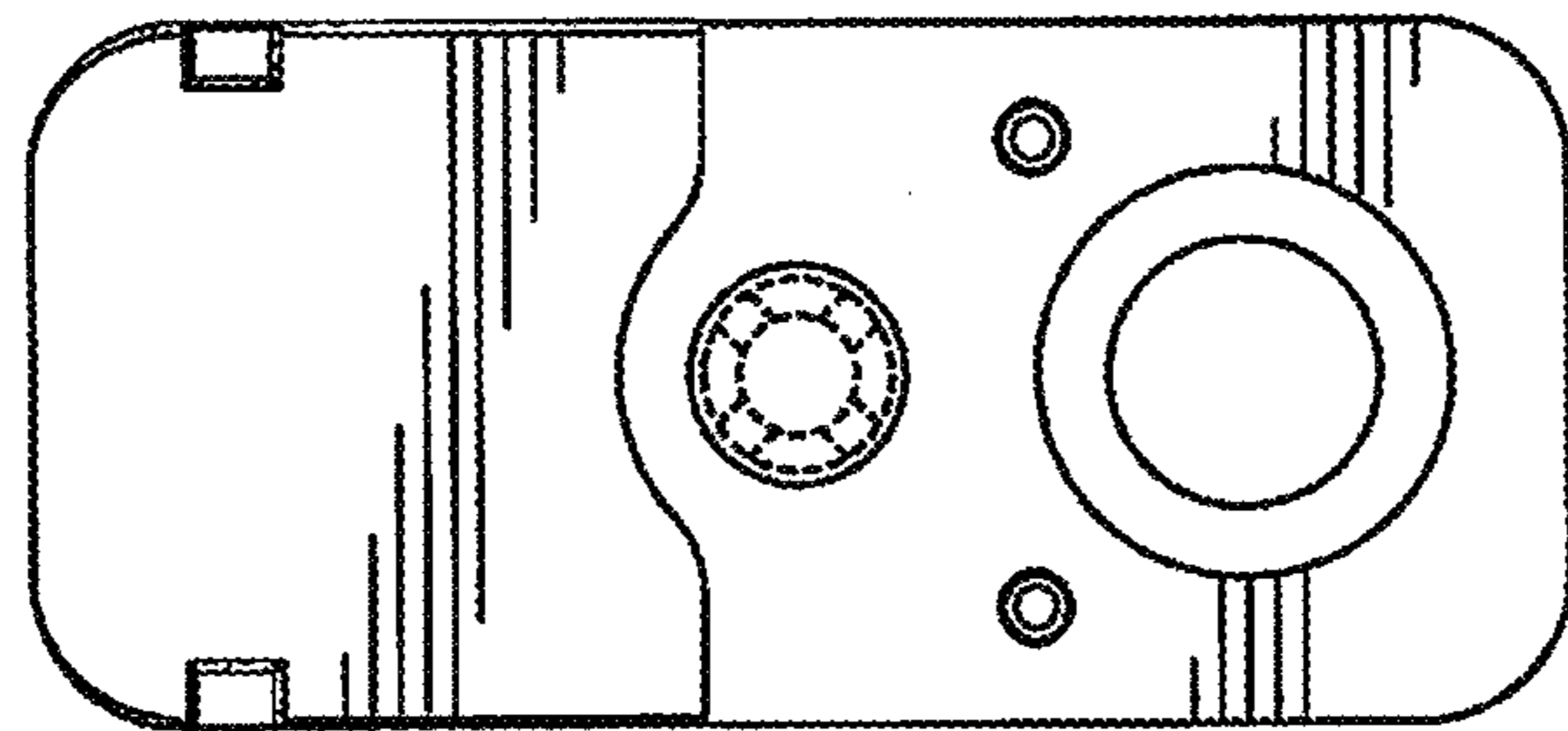


FIG. 7

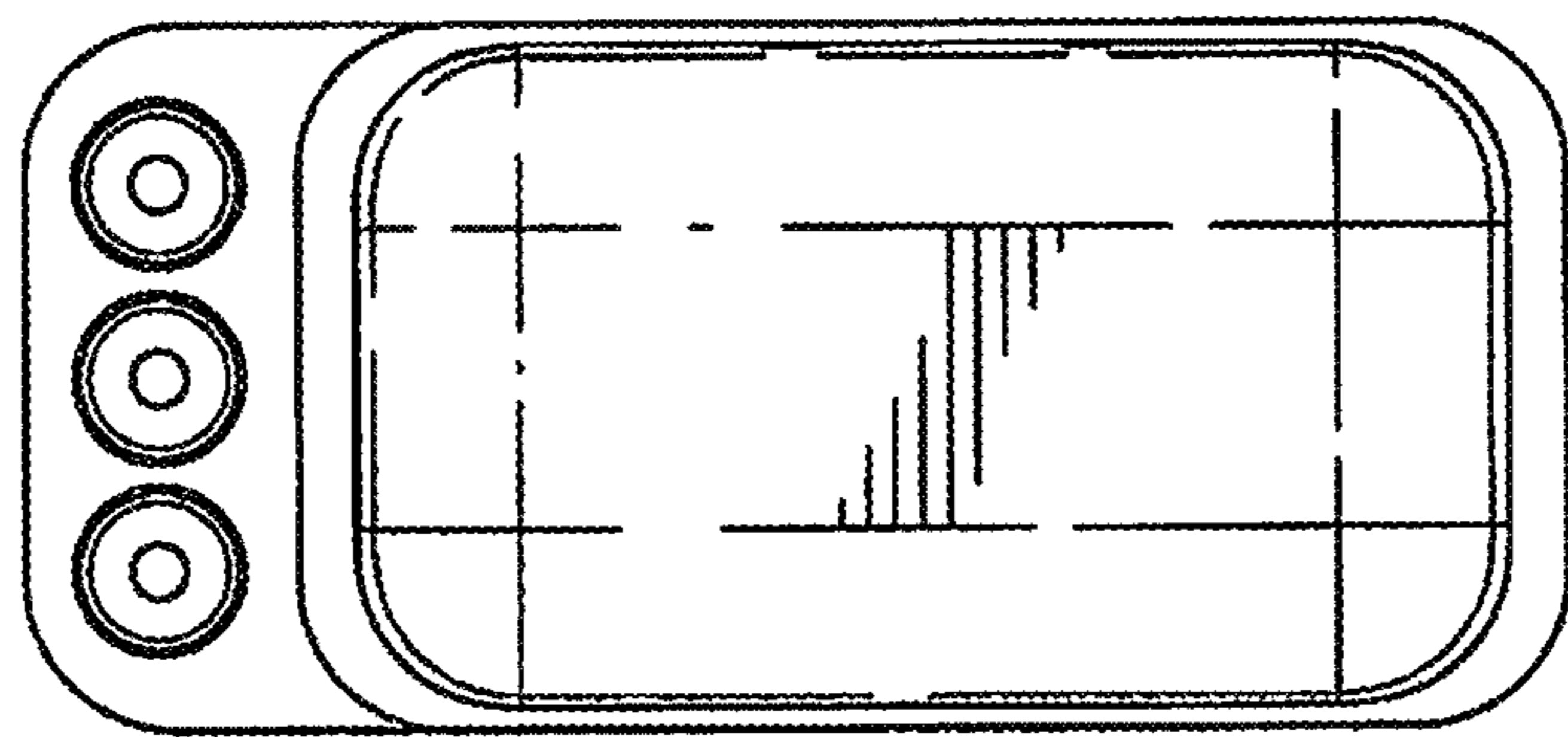


FIG. 8