



US00D785194S

(12) **United States Design Patent**  
**Larsen et al.**

(10) **Patent No.:** **US D785,194 S**  
(45) **Date of Patent:** **\*\* Apr. 25, 2017**

(54) **SPA SHELL**  
(71) Applicant: **WATKINS MANUFACTURING CORPORATION**, Vista, CA (US)  
(72) Inventors: **Christopher Carl Larsen**, Vista, CA (US); **Sage Nathan Baker**, Cardiff, CA (US)

6,324,707 B1 \* 12/2001 Larsen ..... A61H 33/0087  
4/513  
D513,802 S \* 1/2006 Loyd ..... D24/201  
D522,660 S \* 6/2006 Loyd ..... D24/204  
D543,282 S \* 5/2007 Larsen ..... D24/204  
D547,876 S \* 7/2007 Walker ..... D24/204  
D644,335 S \* 8/2011 Larsen ..... D24/204

\* cited by examiner

(73) Assignee: **Watkins Manufacturing Corporation**, Vista, CA (US)

*Primary Examiner* — Anhdao Doan  
(74) *Attorney, Agent, or Firm* — Kirk W. Rudolph

(\*\*) Term: **15 Years**

(57) **CLAIM**

(21) Appl. No.: **29/548,089**

The ornamental design for a spa shell, as shown and described.

(22) Filed: **Dec. 10, 2015**

**DESCRIPTION**

(51) **LOC (10) Cl.** ..... **23-02**

(52) **U.S. Cl.**  
USPC ..... **D24/204**

(58) **Field of Classification Search**  
USPC ..... D24/201–205, 213; D23/276–278, D23/280.1–280.3; D25/2  
CPC ..... A61H 33/6005; A61H 33/6021; A61H 33/6089; A61H 33/6094; A61H 2035/004; A61H 35/006; A47K 3/022; A47K 3/062  
See application file for complete search history.

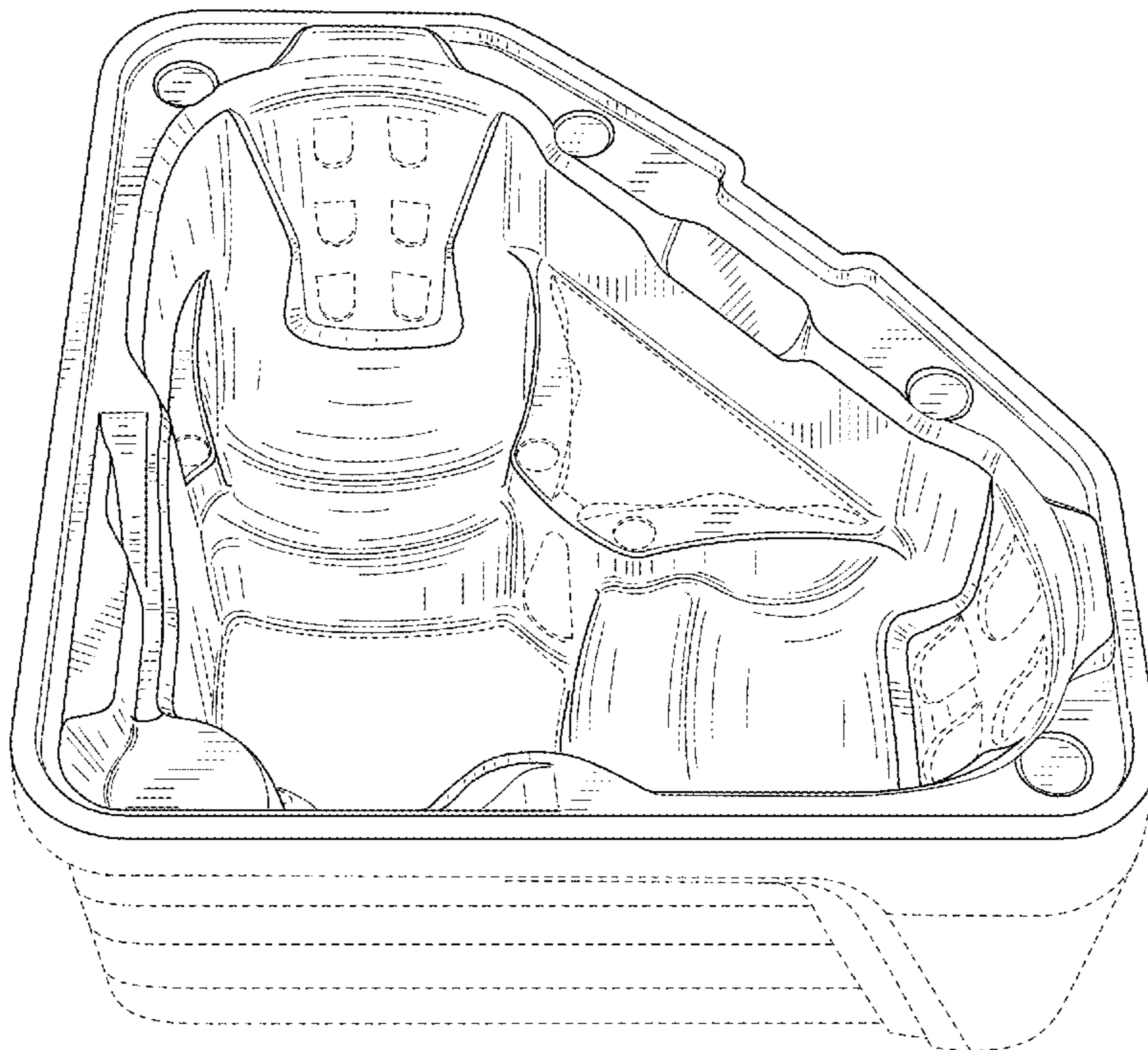
FIG. 1 is a perspective view of a spa shell showing our new design;  
FIG. 2 is another perspective view thereof;  
FIG. 3 is a top plan view thereof;  
FIG. 4 is a cross-sectional view thereof;  
FIG. 5 is a cross-sectional view thereof;  
FIG. 6 is a cross-sectional view thereof; and,  
FIG. 7 is a cross-sectional view thereof.  
The broken lines immediately adjacent the shaded areas represent the bounds of the claim, while all other broken lines are directed to environment and are for illustrative purposes only; the broken lines form no part of the claimed design.

(56) **References Cited**

U.S. PATENT DOCUMENTS

D431,297 S \* 9/2000 Larsen ..... D24/204  
D438,627 S \* 3/2001 Jacuzzi ..... D24/204

**1 Claim, 5 Drawing Sheets**



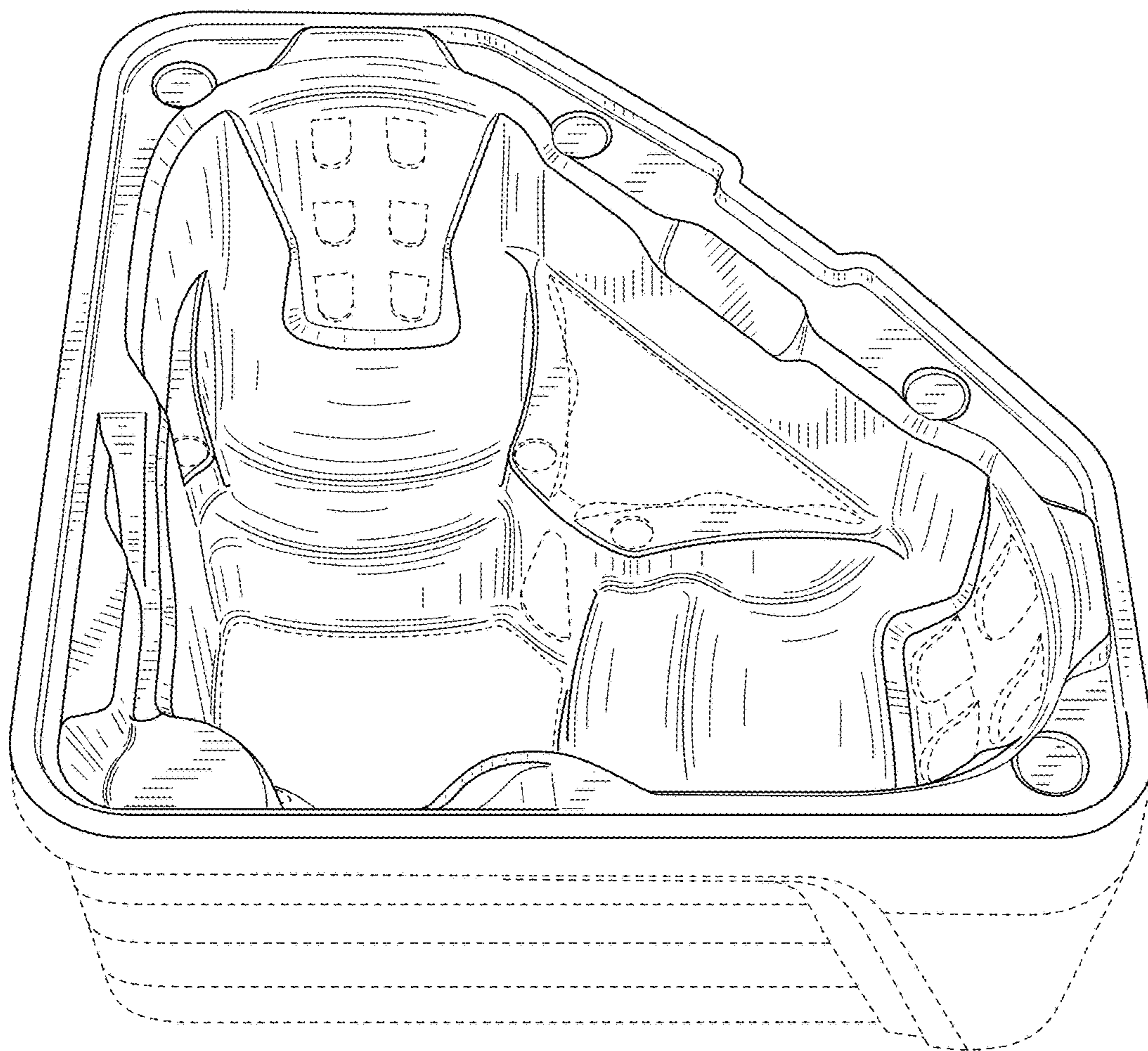


FIG. 1

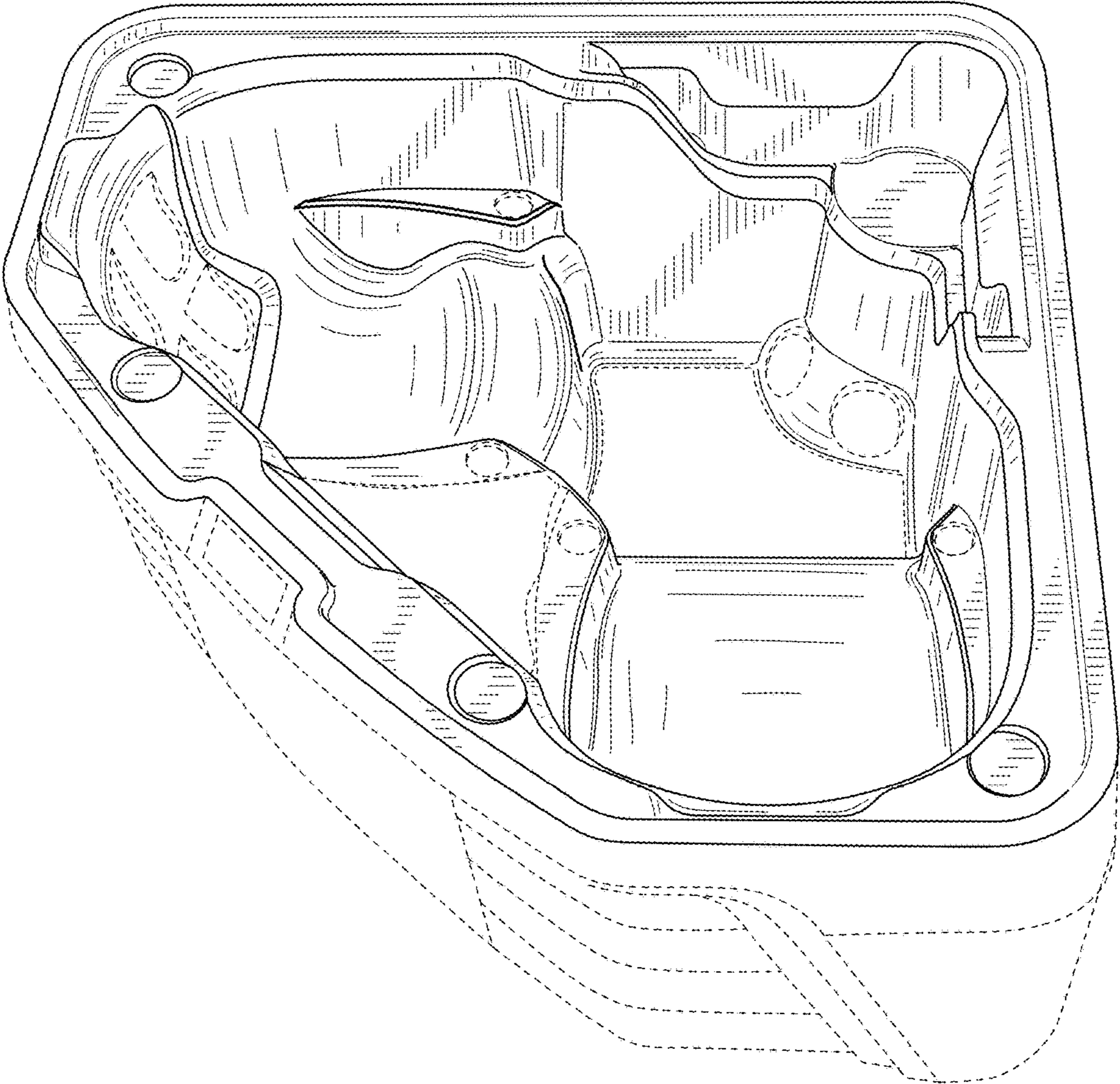


FIG. 2

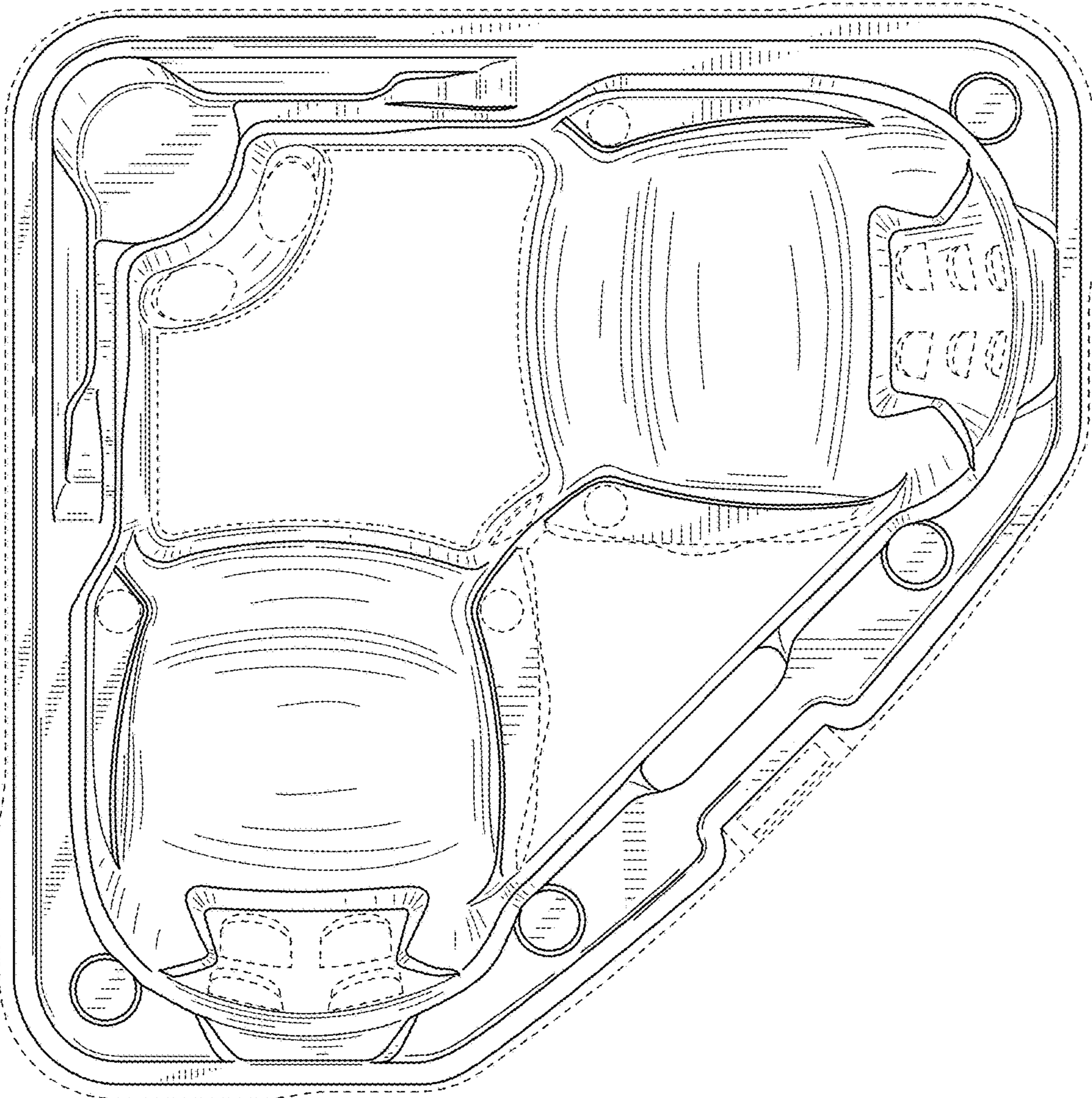


FIG. 3

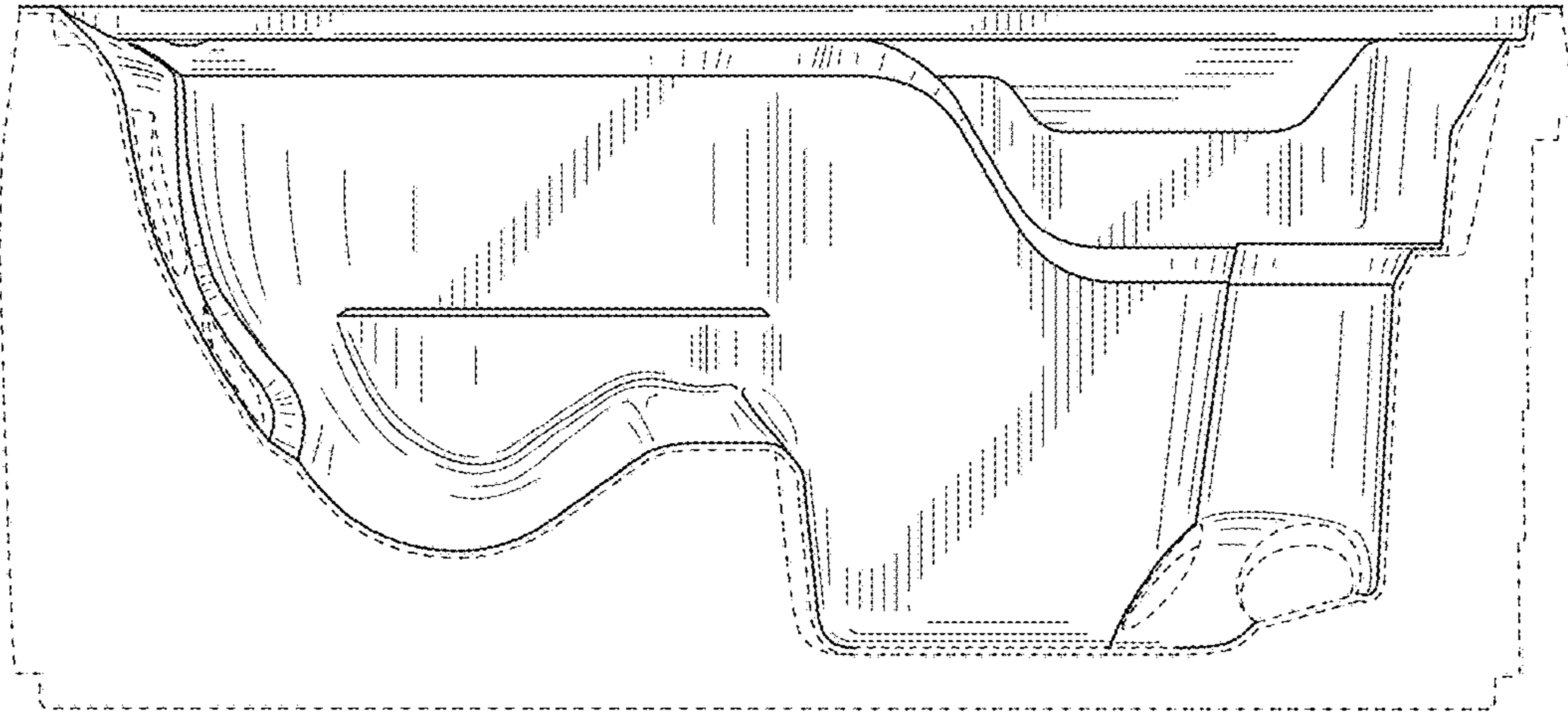


FIG. 4

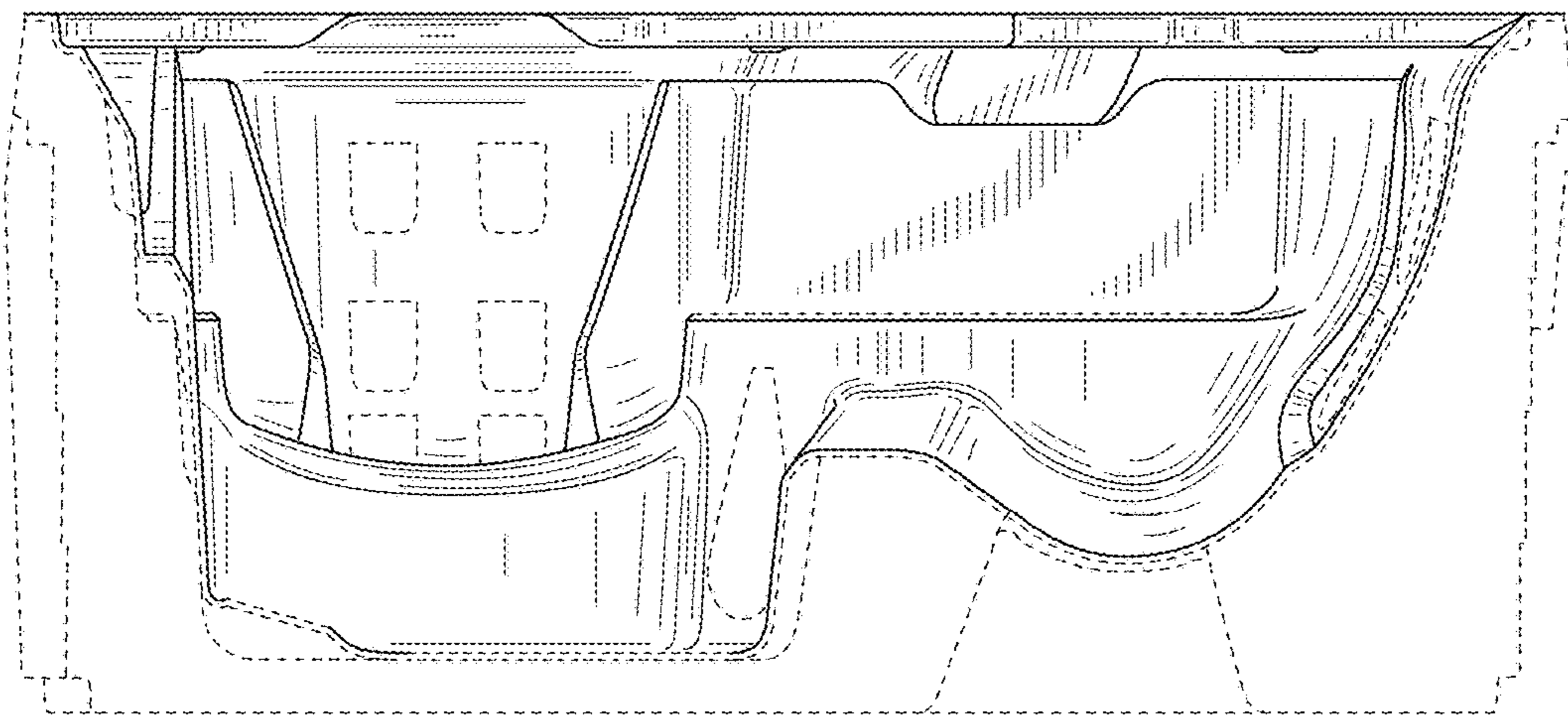


FIG. 5

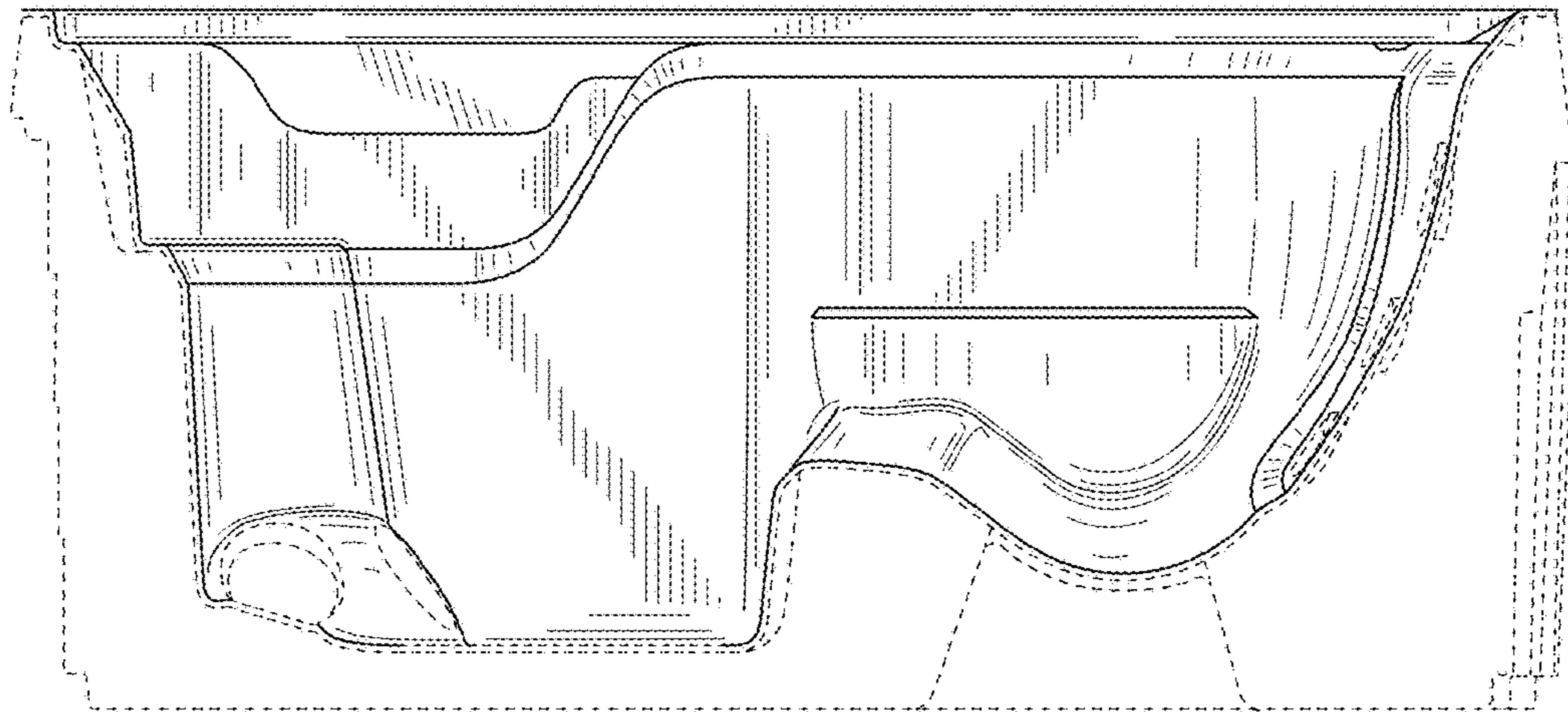


FIG. 6

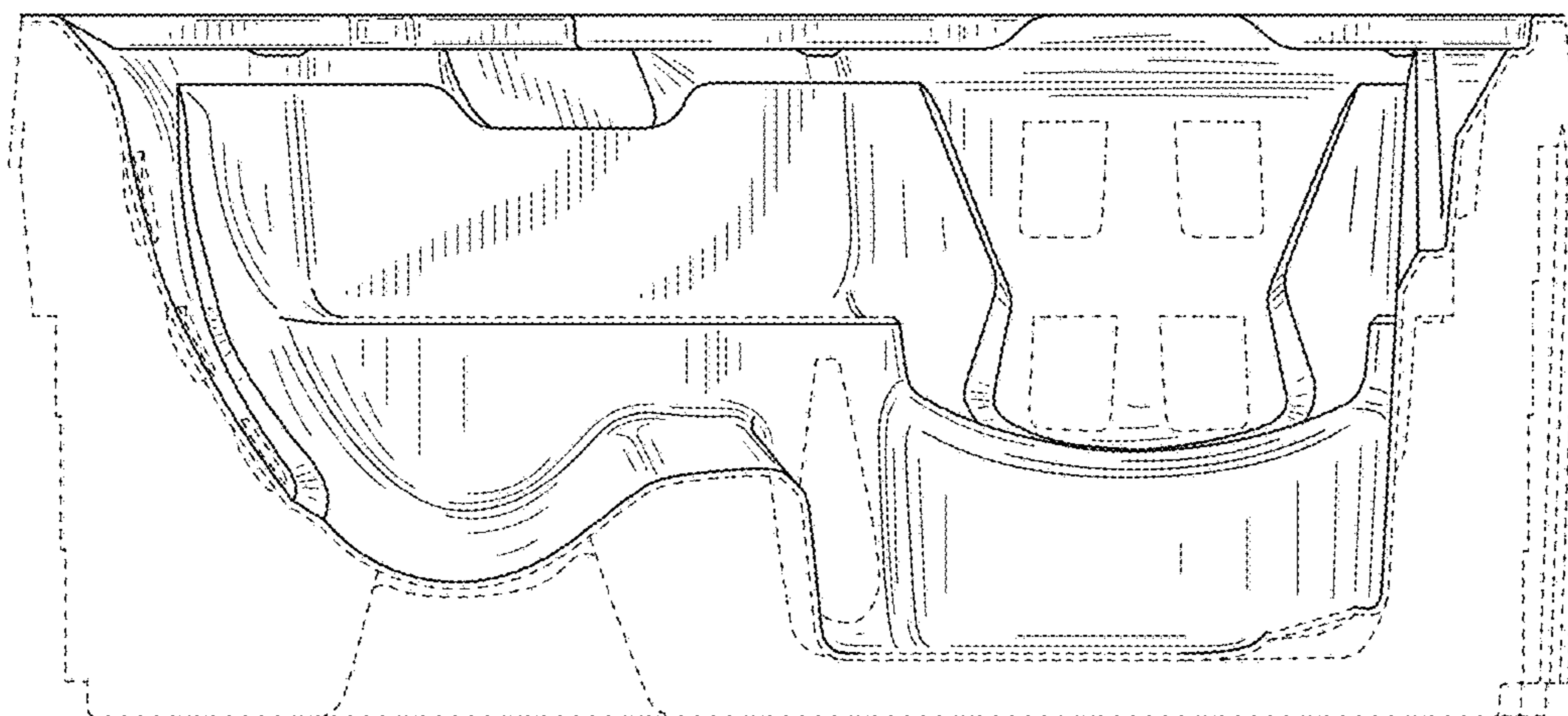


FIG. 7