



US00D785190S

(12) **United States Design Patent**  
**Bell**

(10) **Patent No.:** **US D785,190 S**

(45) **Date of Patent:** **\*\* Apr. 25, 2017**

- (54) **KNEE SLEEVE**
- (71) Applicant: **Super Training Products LLC**, Davis, CA (US)
- (72) Inventor: **Mark A Bell**, Davis, CA (US)
- (73) Assignee: **Super Training Products LLC**, Davis, CA (US)
- (\*\*) Term: **15 Years**
- (21) Appl. No.: **29/540,164**
- (22) Filed: **Sep. 21, 2015**
- (51) **LOC (10) Cl.** ..... **24-04**
- (52) **U.S. Cl.**  
USPC ..... **D24/190; D29/120.1**
- (58) **Field of Classification Search**  
USPC ..... D24/188-192; D2/610; D29/120.1, D29/121.1, 121.2  
CPC .... A61F 15/004; A61F 13/041; A61F 15/008; A61F 13/10; A61F 13/043; A61F 13/06; A61F 2013/00093; A61F 2013/00165; A61F 2013/00182; A41D 13/08; A61B 46/27  
See application file for complete search history.

- 5,512,039 A \* 4/1996 White ..... A61F 5/0106 602/26
- D389,582 S \* 1/1998 Bodenschatz ..... D24/190
- D405,558 S \* 2/1999 Campisi ..... D29/121.1
- 5,891,079 A 4/1999 Barnes
- D416,651 S \* 11/1999 Lanoue ..... D29/120.1
- 6,063,048 A 5/2000 Bodenschatz et al.
- D444,563 S \* 7/2001 Rodgers ..... D24/190
- D448,084 S \* 9/2001 Hopwood ..... D24/190
- 6,592,539 B1 \* 7/2003 Einarsson ..... A61F 5/0109 602/26
- 6,726,641 B2 \* 4/2004 Chiang ..... A61F 5/0104 602/5
- D545,442 S 6/2007 Weeks
- D551,351 S 9/2007 Silva

(Continued)

*Primary Examiner* — George D Kirschbaum  
*Assistant Examiner* — Jennifer Watkins  
(74) *Attorney, Agent, or Firm* — Edward B. Weller

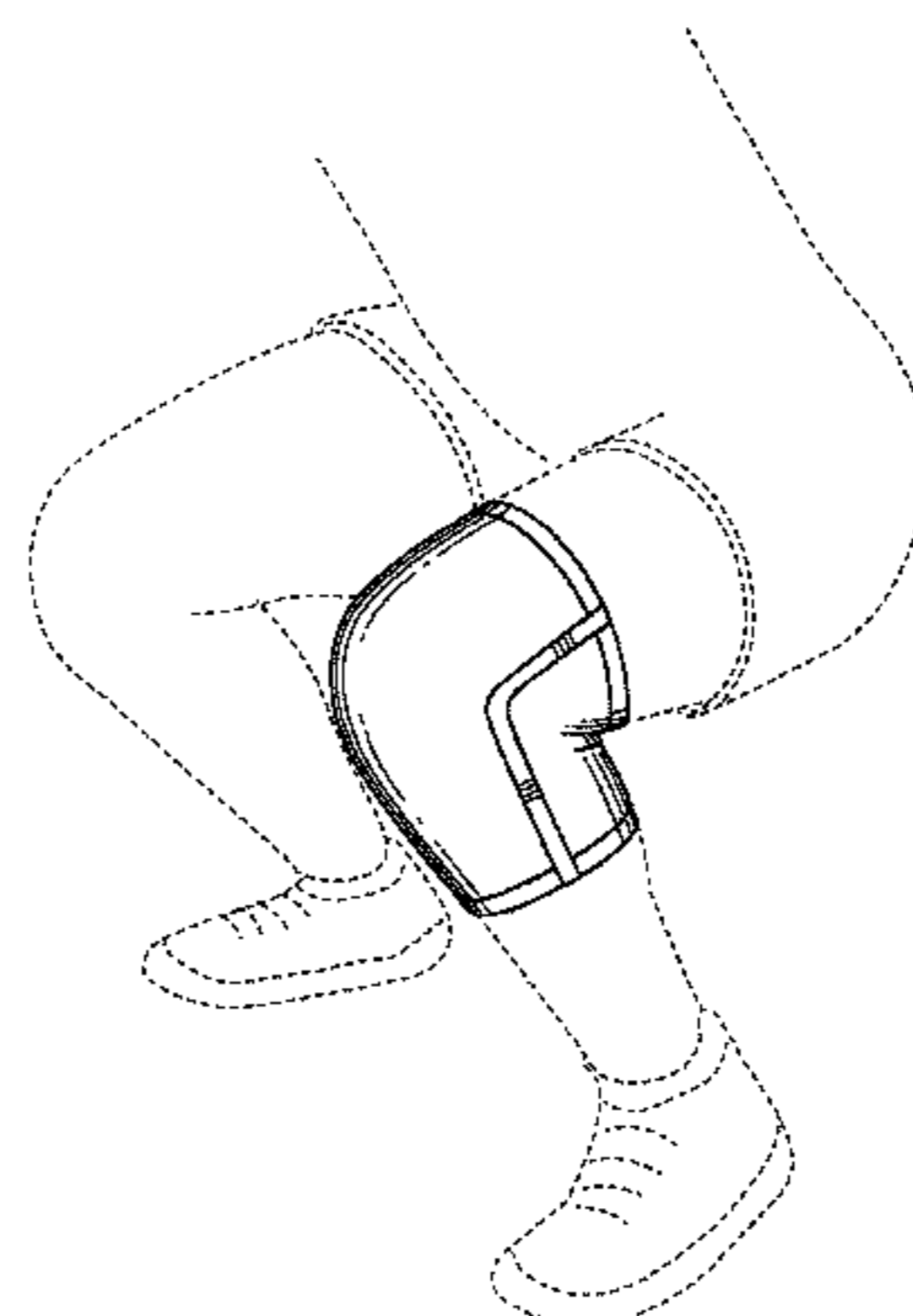
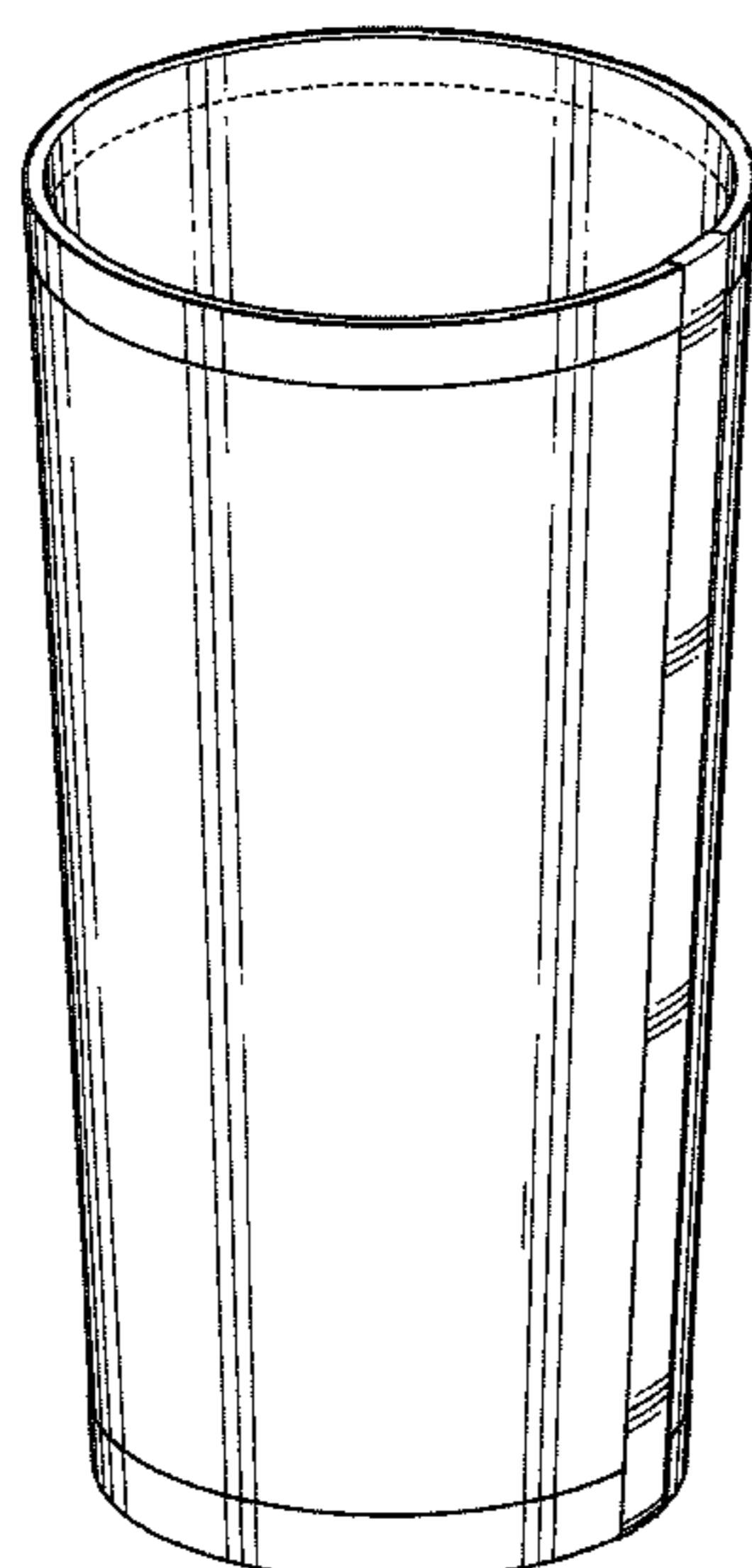
(57) **CLAIM**

I claim the ornamental design for a knee sleeve, as shown and described.

**DESCRIPTION**

FIG. 1 is a perspective view of a knee sleeve showing my new design;  
FIG. 2 is a front elevational view thereof, the opposite back side being a mirror image of this view;  
FIG. 3 is a right elevational view thereof;  
FIG. 4 is a left side elevational view thereof;  
FIG. 5 is a top view thereof;  
FIG. 6 is a bottom view thereof; and,  
FIG. 7 is a front perspective view of the knee sleeve, in a position of use.  
The broken lines on the inside of the knee sleeve are for the purpose of illustrating portions of a knee sleeve and form no part of the claim. The broken lines in FIG. 7 showing knees and legs are for the purpose of illustrating environment and form no part of the claim.

**1 Claim, 7 Drawing Sheets**



(56)

**References Cited**

U.S. PATENT DOCUMENTS

D654,182 S \* 2/2012 Chiang ..... D24/190  
8,118,765 B2 \* 2/2012 Magnusson ..... A61F 5/0109  
602/26  
D660,438 S 5/2012 Kennedy et al.  
D660,520 S 5/2012 Glenn  
D662,214 S 6/2012 Quisenberry  
D668,396 S 10/2012 Shamis et al.  
D707,361 S 6/2014 Banks  
D746,997 S \* 1/2016 Higgins ..... D24/190  
D767,773 S \* 9/2016 Jiminez ..... D24/190  
2004/0260224 A1 \* 12/2004 Binder ..... A61D 9/00  
602/41  
2005/0038367 A1 \* 2/2005 McCormick ..... A61F 5/0106  
602/26  
2005/0165463 A9 7/2005 Belzidsky  
2005/0197609 A1 9/2005 Mills  
2007/0142764 A1 6/2007 Belzidsky  
2012/0096616 A1 4/2012 Fisher et al.  
2012/0215146 A1 8/2012 Dao  
2012/0310129 A1 12/2012 Johnson

\* cited by examiner

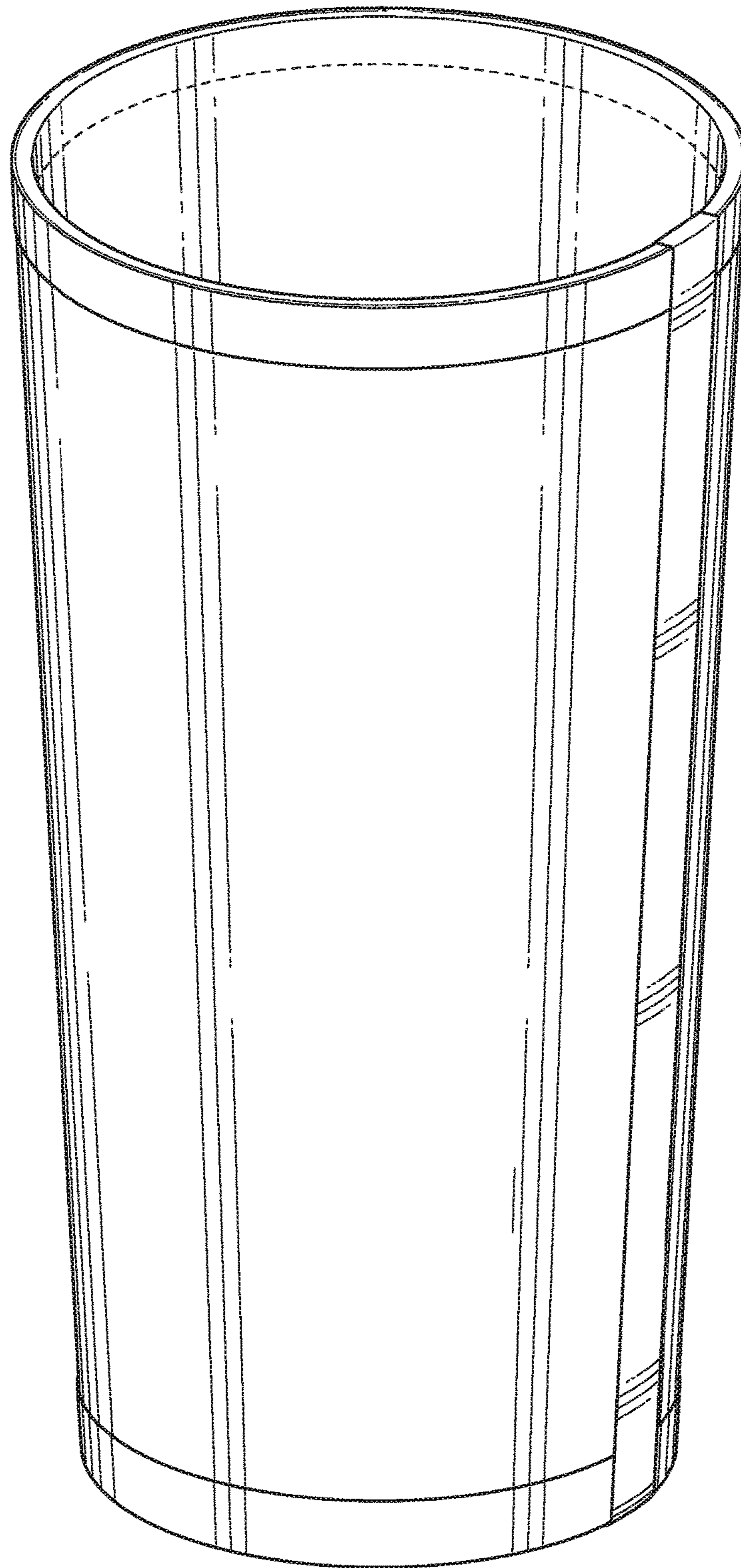


FIG. 1

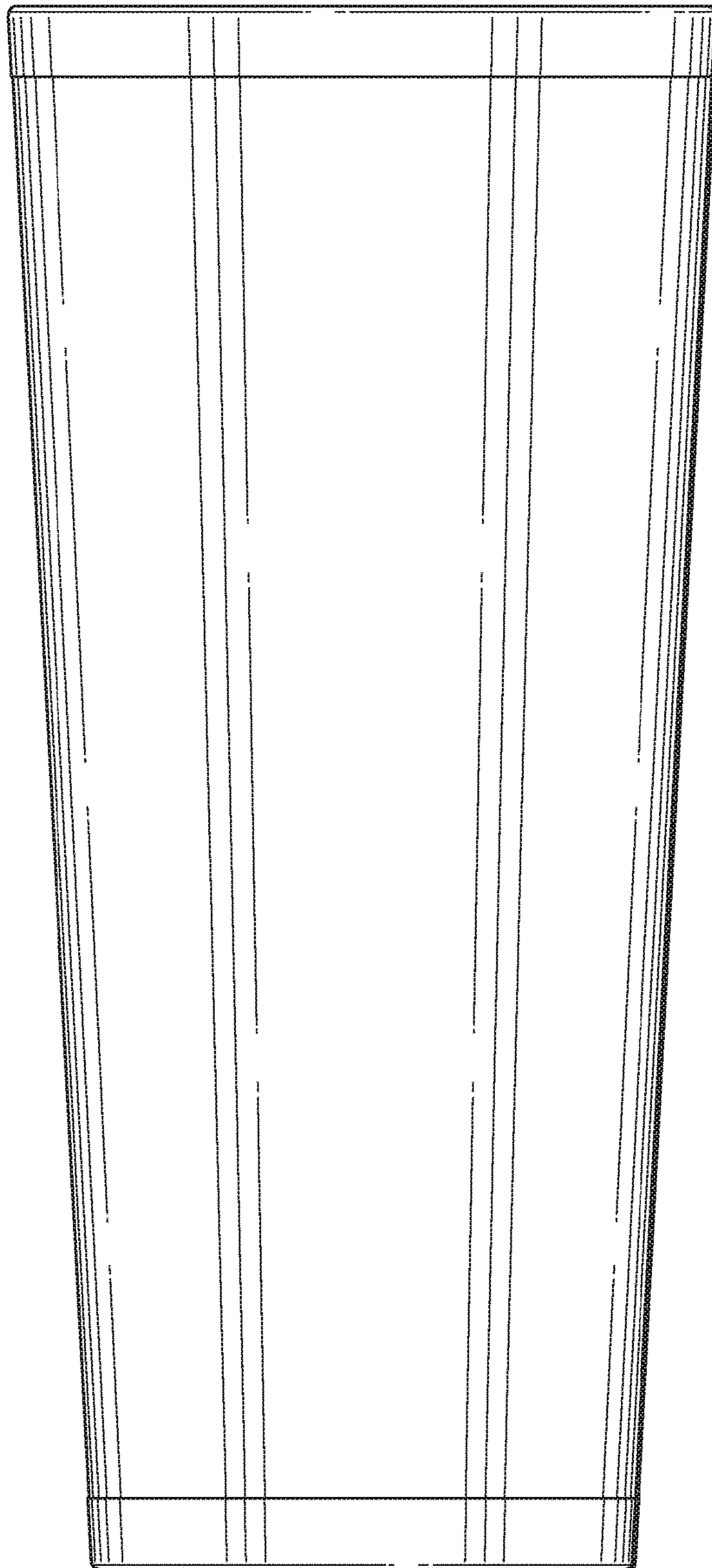


FIG. 2

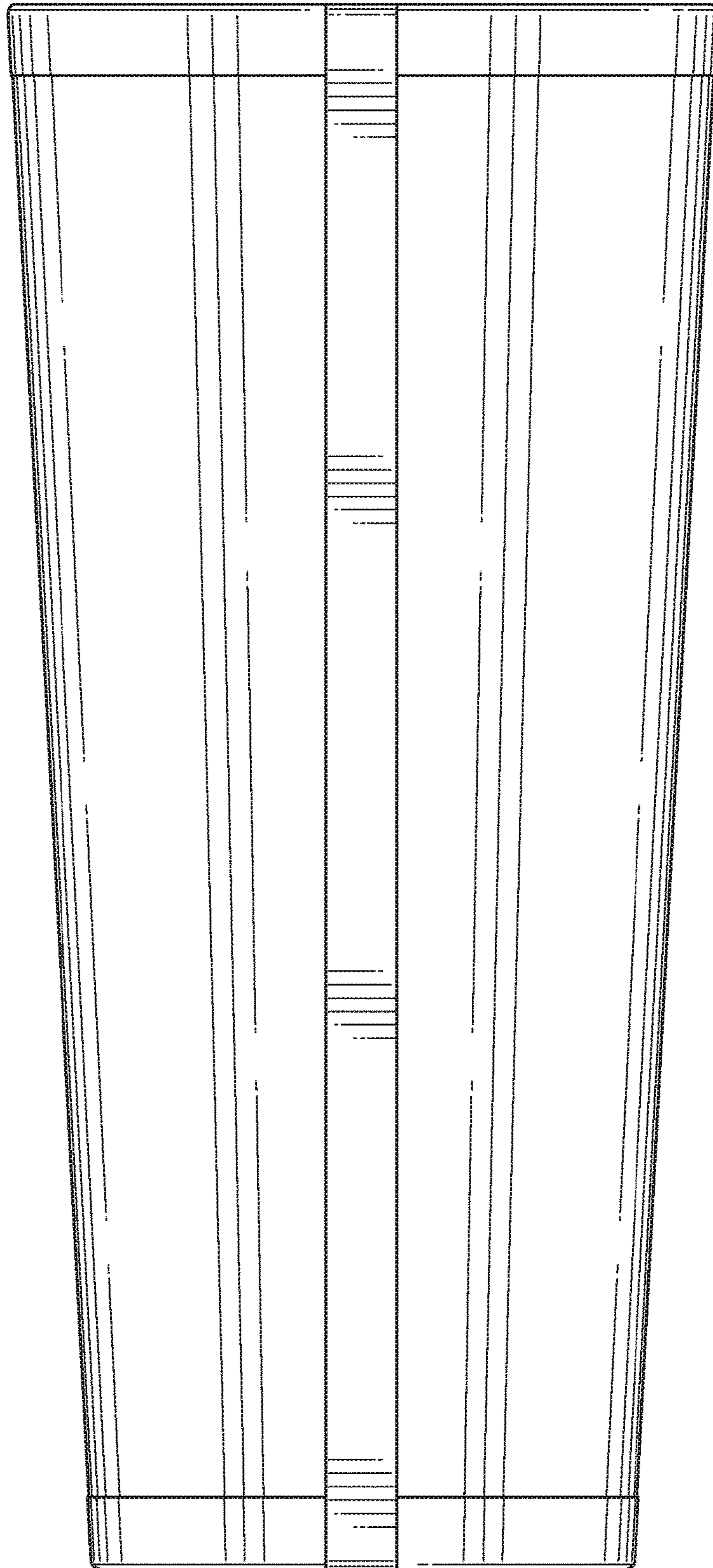


FIG. 3

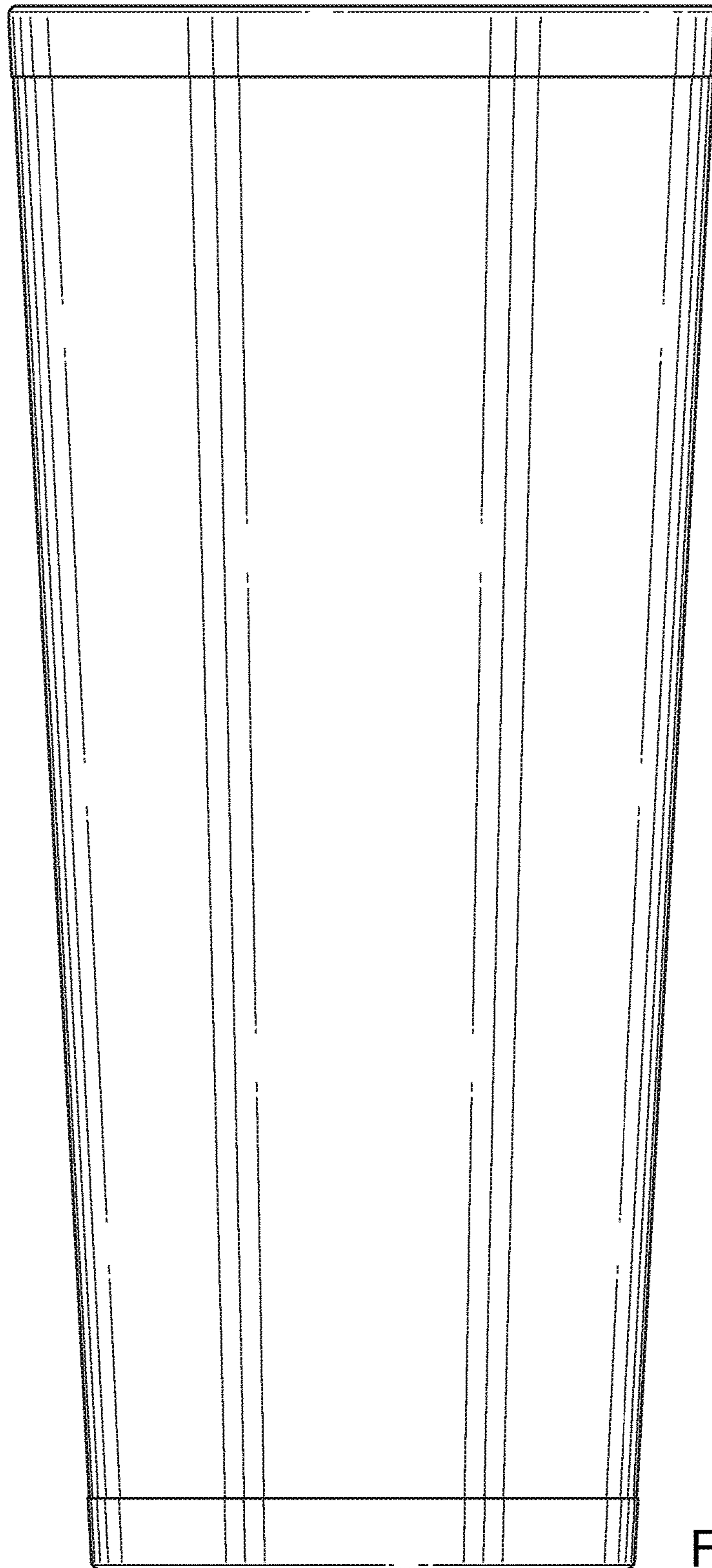


FIG. 4

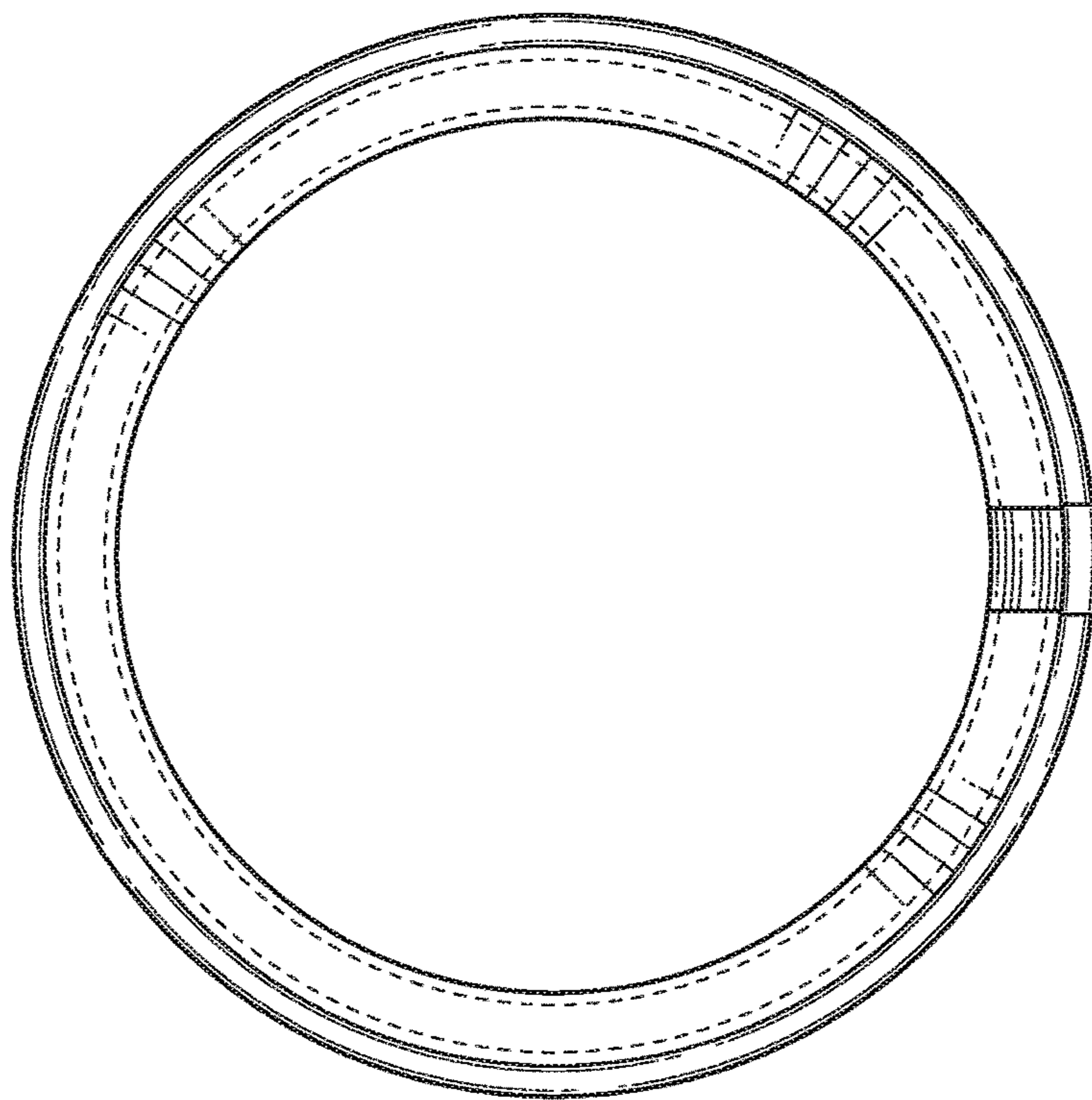


FIG. 5

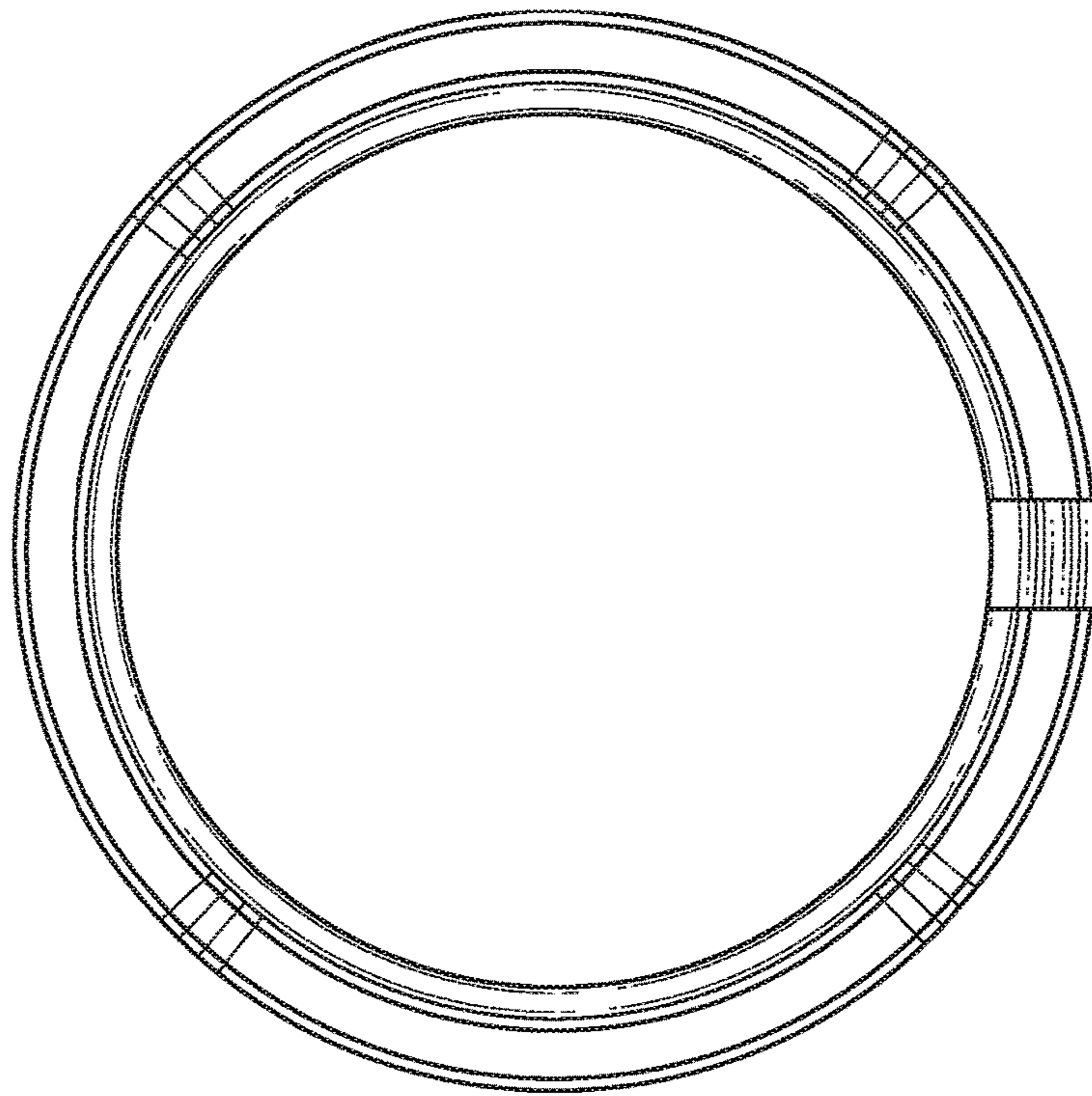


FIG. 6



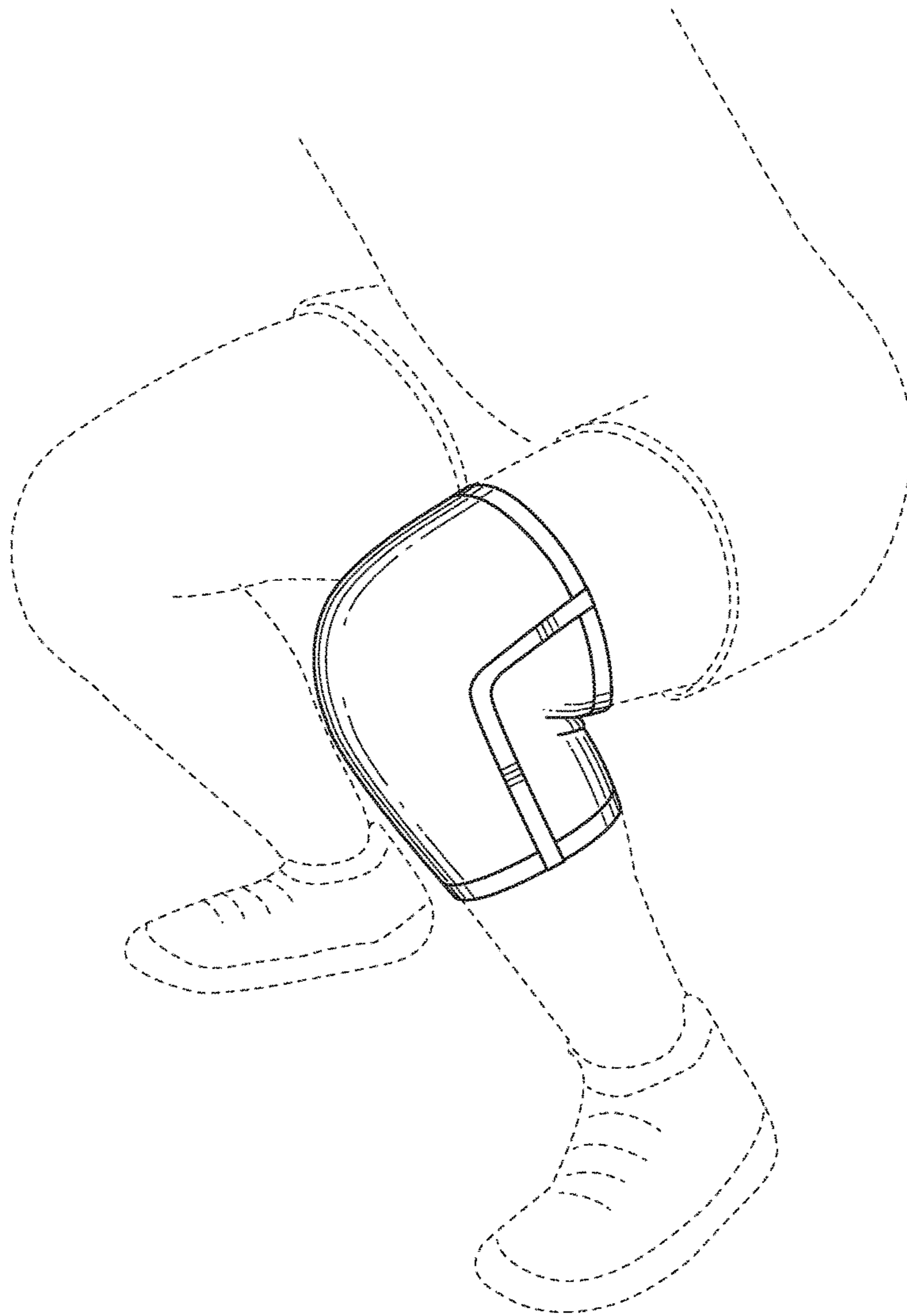


FIG. 7