



US00D785188S

(12) **United States Design Patent** (10) **Patent No.:** **US D785,188 S**
Cilone (45) **Date of Patent:** **** Apr. 25, 2017**

(54) **BANDAGE**
(71) Applicant: **Marie Cilone**, Staten Island, NY (US)
(72) Inventor: **Marie Cilone**, Staten Island, NY (US)
(**) Term: **14 Years**
(21) Appl. No.: **29/501,578**
(22) Filed: **Sep. 5, 2014**
(51) **LOC (10) Cl.** **24-04**
(52) **U.S. Cl.**
USPC **D24/189**
(58) **Field of Classification Search**
USPC D24/189-192
CPC A61K 9/0014; A61K 47/00; A61L 26/00;
A61F 13/0203; A61F 13/0206; A61F
13/0209; A61F 13/023; A61F 13/0233;
G09F 2003/0201; G09F 2003/0208
See application file for complete search history.

D693,010 S * 11/2013 Mosa D24/189
D695,901 S * 12/2013 Heinecke D24/189
D723,176 S * 2/2015 Igwebuike D24/189
D723,177 S * 2/2015 Igwebuike D24/189
D729,391 S * 5/2015 Igwebuike D24/189
2002/0087106 A1* 7/2002 Unger A61F 13/0203
602/48
2004/0138601 A1* 7/2004 Chalmers A61F 13/00017
602/41
2004/0241214 A1* 12/2004 Kirkwood A61F 13/0213
424/445
2005/0159694 A1* 7/2005 Berndt A61F 13/00025
602/48
2005/0159695 A1* 7/2005 Cullen A61L 15/28
602/48
2006/0003133 A1* 1/2006 Johnson A61F 13/023
428/40.1

(Continued)

Primary Examiner — Michael A. Pratt
Assistant Examiner — Michelle E Wilson
(74) *Attorney, Agent, or Firm* — Dunlap Bennett & Ludwig PLLC

(56) **References Cited**

U.S. PATENT DOCUMENTS

D408,541 S * 4/1999 Dunshee D24/189
D409,754 S * 5/1999 Dunshee D24/189
D430,674 S * 9/2000 Dunshee D24/189
D454,955 S * 3/2002 Dunshee D24/189
D458,687 S * 6/2002 Dale D24/189
D493,230 S * 7/2004 Liedtke D24/189
D572,824 S * 7/2008 Propp D24/189
D576,282 S * 9/2008 Yanaki D24/189
7,619,130 B2* 11/2009 Nielsen A61F 13/02
602/41
D620,123 S * 7/2010 Igwebuike D24/189
D679,402 S * 4/2013 Conrad-Vlasak D24/189
D679,403 S * 4/2013 Heinecke D24/189
D683,858 S * 6/2013 Smith D24/189
D687,555 S * 8/2013 Peterson D24/189
D688,377 S * 8/2013 Heinecke D24/189
D690,425 S * 9/2013 Heinecke D24/189

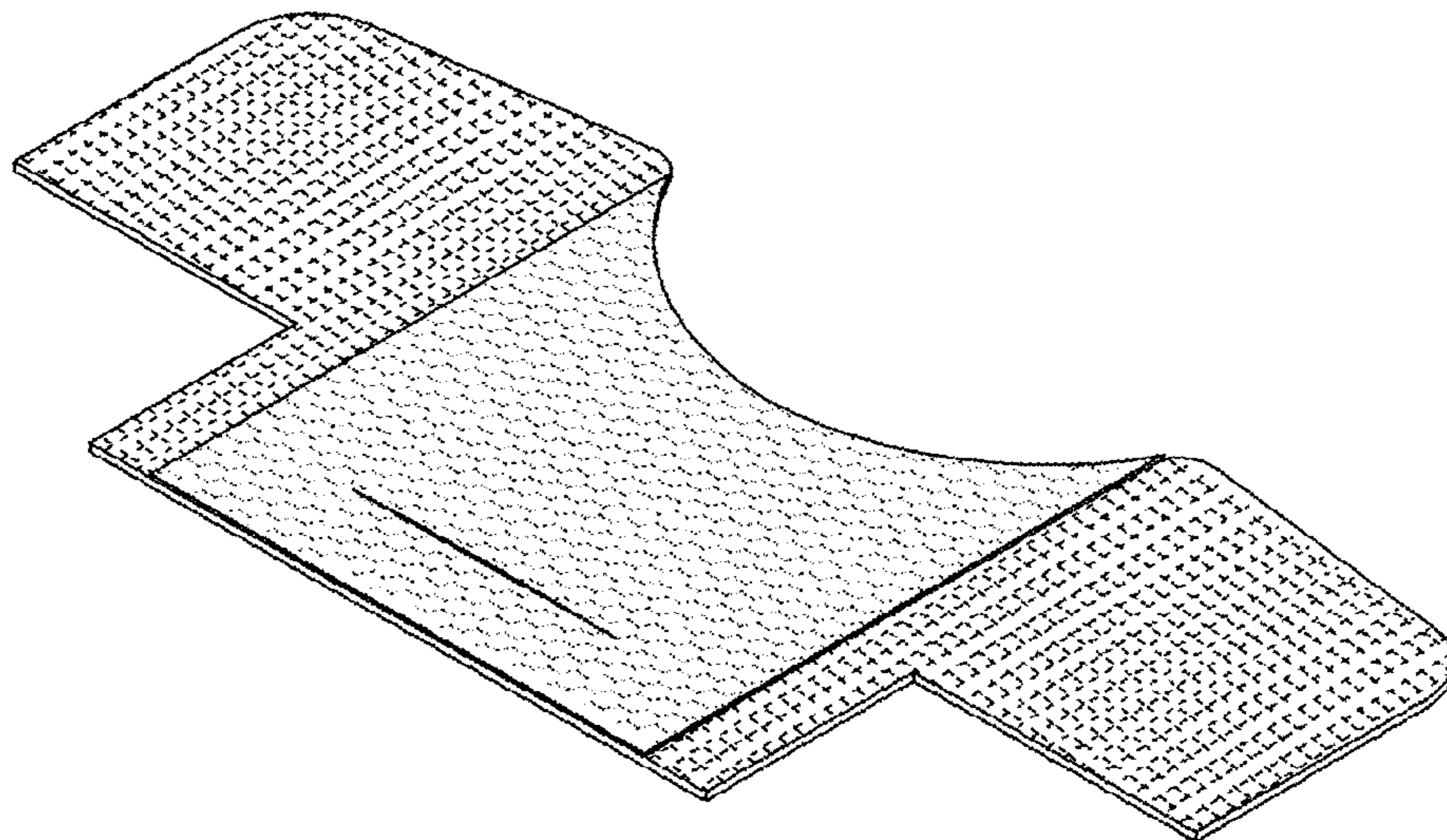
(57) **CLAIM**

The ornamental design for a bandage, as shown and described.

DESCRIPTION

FIG. 1 is a perspective front view of a bandage;
FIG. 2 is a front elevation view of the bandage;
FIG. 3 is a rear elevation view of the bandage;
FIG. 4 is a left elevation view of the bandage; the right
elevation view being a mirror image thereof;
FIG. 5 is a top elevation view of the bandage; and,
FIG. 6 is a bottom elevation view of the bandage.
The hexagonal pattern on the central portion of the bandage
and the hatching texture on the opposing outer portions of
the bandage form no part of the claimed design.

1 Claim, 2 Drawing Sheets



(56)

References Cited

U.S. PATENT DOCUMENTS

2007/0003606 A1* 1/2007 Booher A61B 5/14539
424/448
2009/0082710 A1* 3/2009 Vitaris A61F 13/023
602/52
2009/0227968 A1* 9/2009 Vess A61F 13/02
604/313
2009/0234306 A1* 9/2009 Vitaris A61F 13/00063
604/304
2009/0234309 A1* 9/2009 Vitaris A61M 1/0049
604/313
2012/0165715 A1* 6/2012 Murphy A61F 13/023
602/54
2012/0197173 A1* 8/2012 Babitz A61F 13/0008
602/54
2012/0238932 A1* 9/2012 Atteia A61F 13/02
602/52
2014/0058309 A1* 2/2014 Addison A61F 13/02
602/44
2014/0107561 A1* 4/2014 Dorian A61M 37/00
604/23
2014/0358058 A1* 12/2014 Nelson A61F 13/00063
602/48

* cited by examiner

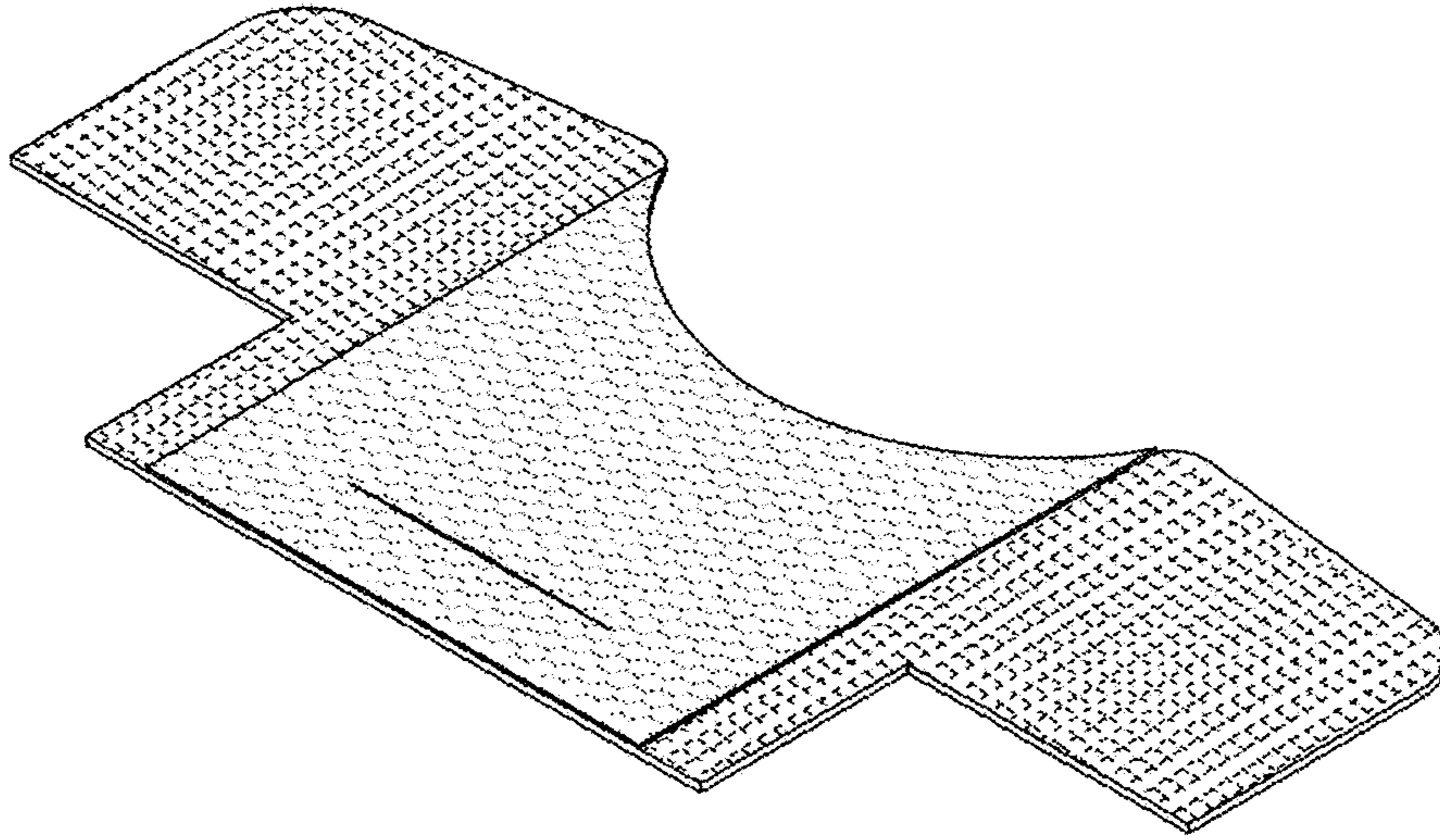


FIG. 1

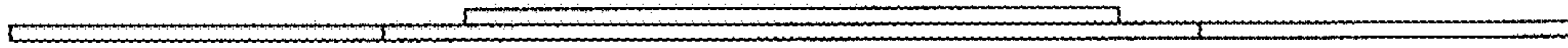


FIG. 2

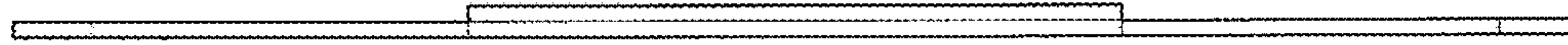


FIG. 3

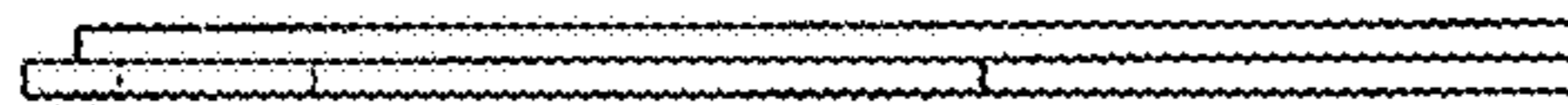


FIG. 4

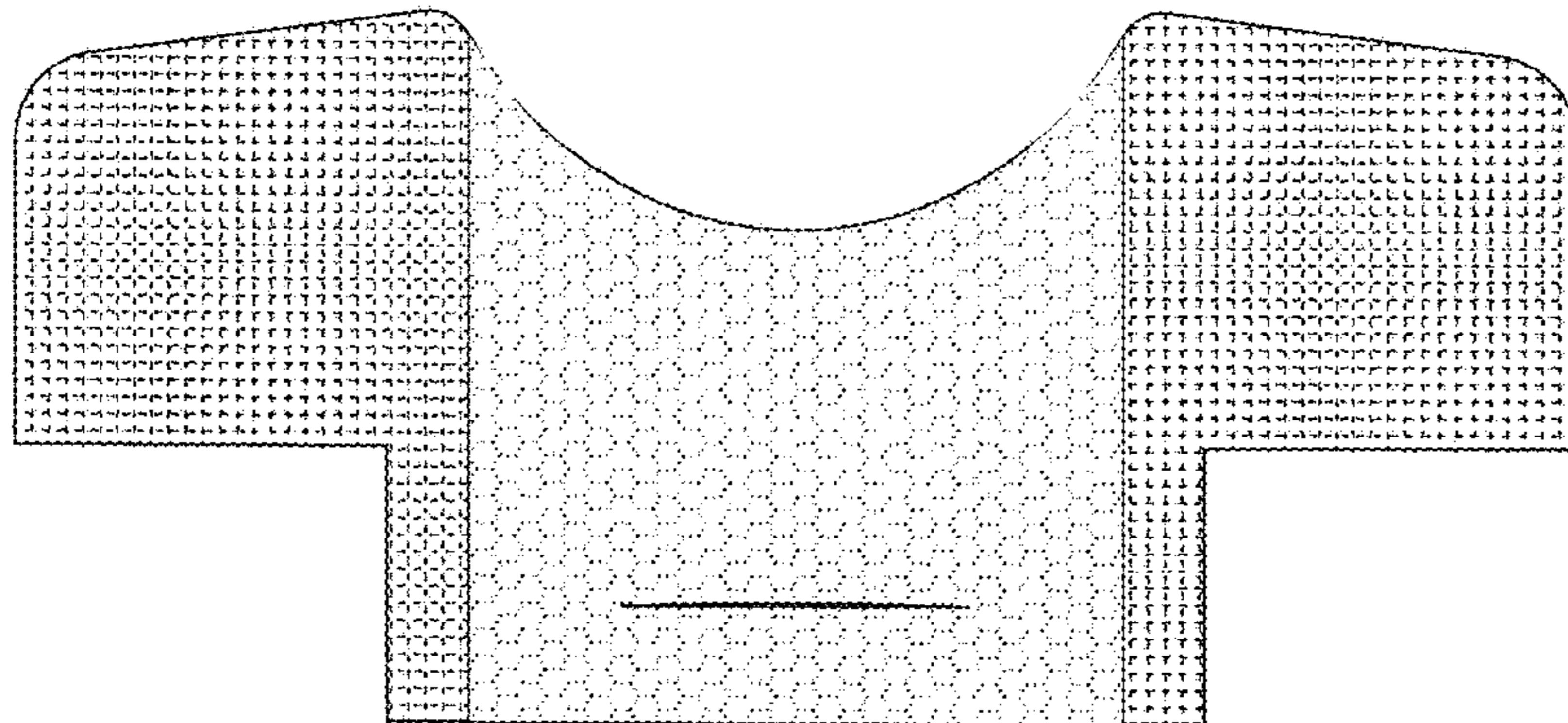


FIG. 5

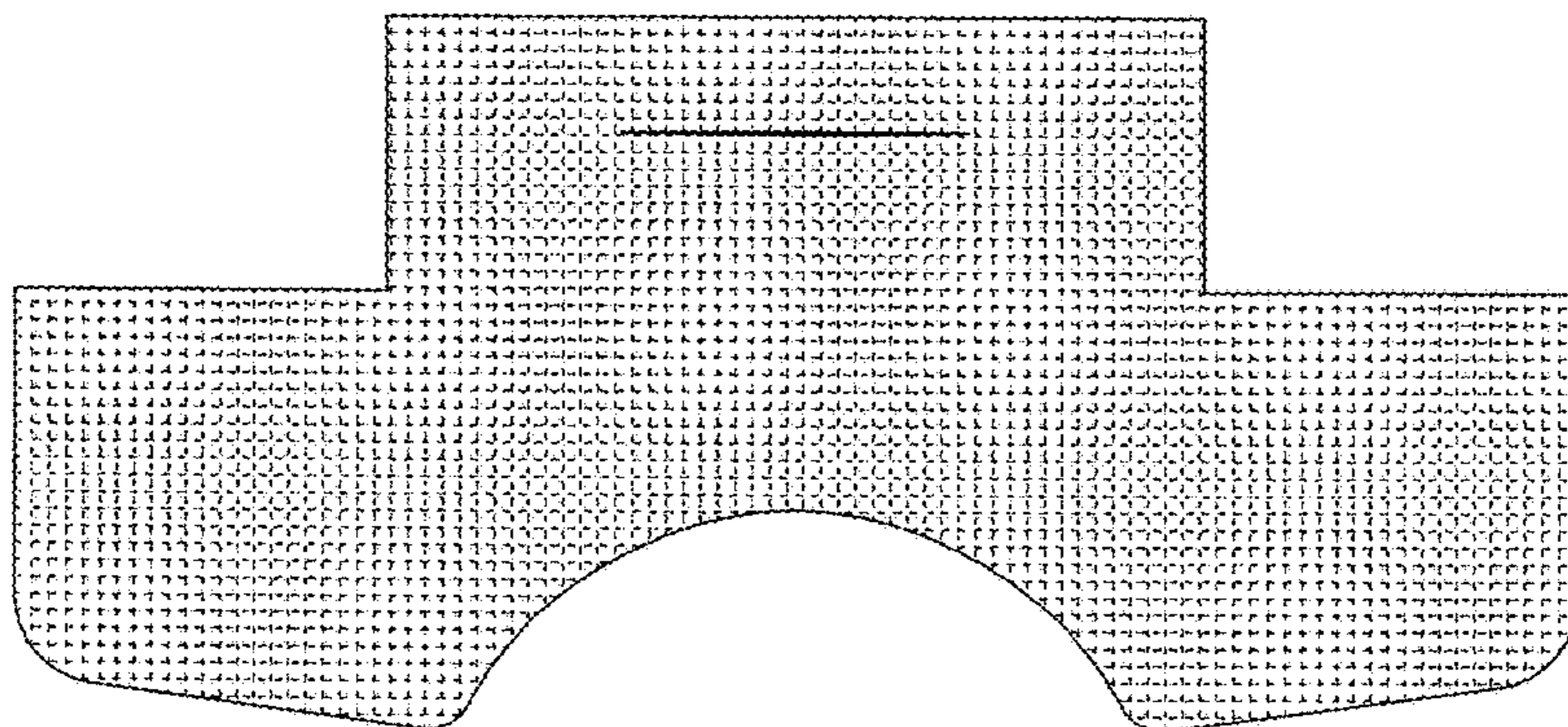


FIG. 6