



US00D785186S

(12) **United States Design Patent** (10) **Patent No.:** **US D785,186 S**
Morenstein et al. (45) **Date of Patent:** **** Apr. 25, 2017**

(54) **ELECTRODE ASSEMBLY FOR
TRANSDERMAL AND TRANSCRANIAL
STIMULATION**

Morenstein et al.; Design U.S. Appl. No. 29/508,490 entitled
“Electrode assembly for transdermal and transcranial stimulation,”
filed Nov. 6, 2014.

(Continued)

(71) Applicant: **Thync Global, Inc.**, Los Gatos, CA
(US)

Primary Examiner — Wan Laymon

(74) *Attorney, Agent, or Firm* — Shay Glenn LLP

(72) Inventors: **Joshua Morenstein**, San Francisco, CA
(US); **Matthew Malone**, San Francisco,
CA (US); **Isy Goldwasser**, Los Gatos,
CA (US); **Douglas Jeffery**, San Jose,
CA (US); **Sumon K. Pal**, Boston, MA
(US); **Jonathan Charlesworth**, Boston,
MA (US); **Florent Olivier Alexandre**,
San Francisco, CA (US); **Christopher
N. Hibmacronan**, Oakland, CA (US)

(57) **CLAIM**

The ornamental design for an electrode assembly for trans-
dermal and transcranial stimulation, substantially as shown
and described.

DESCRIPTION

(73) Assignee: **Thync Global, Inc.**, Los Gatos, CA
(US)

FIG. 1 is a front three-dimensional view of an electrode
assembly for transdermal and transcranial stimulation.

FIG. 2 is a front view thereof.

FIG. 3 is a bottom view thereof.

FIG. 4 is a top view thereof.

FIG. 5 is a back view thereof.

FIG. 6 is a right view thereof.

FIG. 7 is a left view thereof.

FIG. 8 is an alternative front view of an electrode assembly
for transdermal and transcranial stimulation shown in FIG.
9, worn on a subject’s head.

FIG. 9 is a front three-dimensional view of an electrode
assembly for transdermal and transcranial stimulation.

FIG. 10 is a front view thereof.

FIG. 11 is a bottom view thereof.

FIG. 12 is a top view thereof.

FIG. 13 is a back view thereof.

FIG. 14 is a right view thereof; and,

FIG. 15 is a left view thereof.

The broken lines showing the remainder of the electrode
assembly for transdermal and transcranial stimulation in
FIGS. 5, 8 and 13 are directed to environment. The broken
lines with the claimed design in FIGS. 5 and 13 that depict
circular, overall and square shapes are represent portions of
the electrode assembly for transdermal and transcranial
stimulation that form no part of the claimed design. None of
the broken lines form a part of the claimed design.

(**) Term: **14 Years**

(21) Appl. No.: **29/513,764**

(22) Filed: **Jan. 5, 2015**

(51) **LOC (10) Cl.** **24-01**

(52) **U.S. Cl.**
USPC **D24/187**

(58) **Field of Classification Search**
USPC D24/186–187, 168, 200

(Continued)

(56) **References Cited**

U.S. PATENT DOCUMENTS

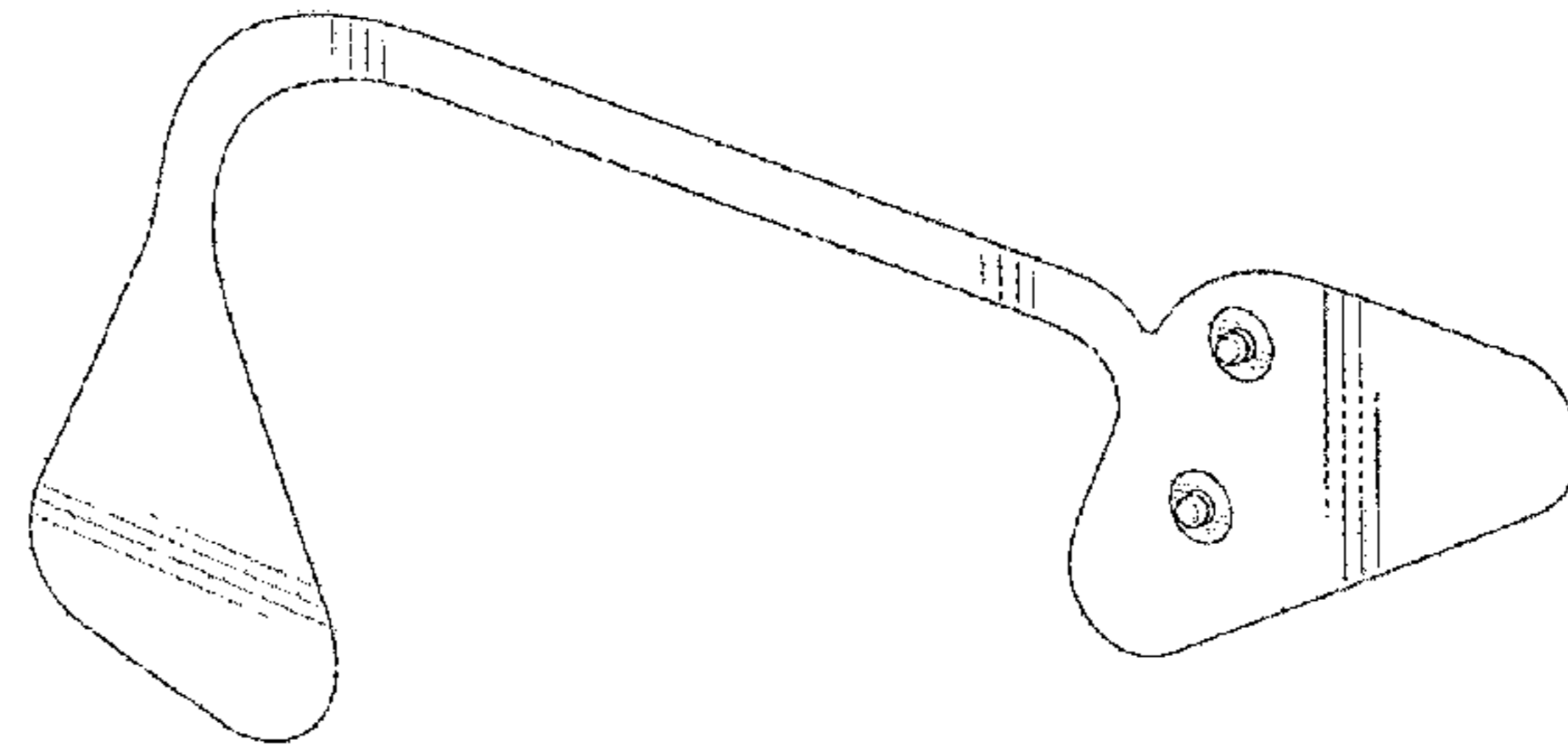
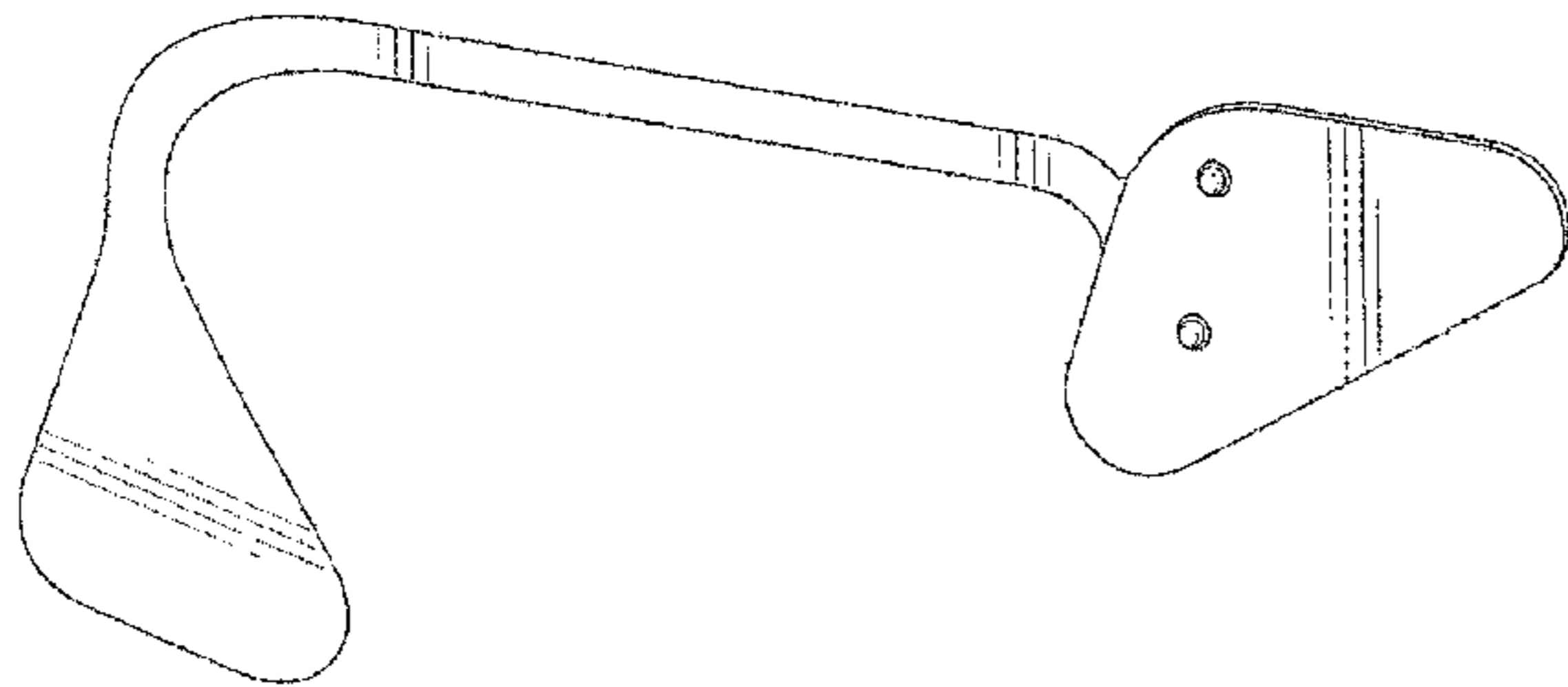
6,117,077 A 9/2000 Del Mar et al.
D587,375 S 2/2009 Mao et al.

(Continued)

OTHER PUBLICATIONS

Goldwasser et al; Design U.S. Appl. No. 29/506,687 entitled
“Wearable neurosignaler,” filed Oct. 17, 2014.

1 Claim, 5 Drawing Sheets



(58) **Field of Classification Search**

CPC ... A61B 5/0478; A61B 5/0492; A61B 5/6803;
A61B 5/6814; A61N 1/04; A61N 1/0404;
A61N 1/0424; A61N 1/0456; A61N
1/0476; A61N 1/0484; A61N 1/0492;
A61N 1/0526; A61N 1/36014; A61N
1/36017

See application file for complete search history.

(56)

References Cited

U.S. PATENT DOCUMENTS

D715,446 S 10/2014 Lee et al.
8,903,494 B2 * 12/2014 Goldwasser A61N 1/0456
607/139
D730,761 S 6/2015 Spaeth et al.
9,333,334 B2 * 5/2016 Jeffery A61N 1/0492
2008/0139953 A1 6/2008 Baker et al.

2015/0088224 A1* 3/2015 Goldwasser A61N 1/0456
607/45
2015/0238762 A1* 8/2015 Pal A61N 1/0476
607/45
2015/0335876 A1* 11/2015 Jeffery A61N 1/04
607/139

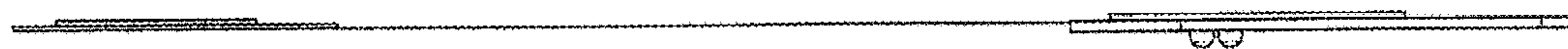
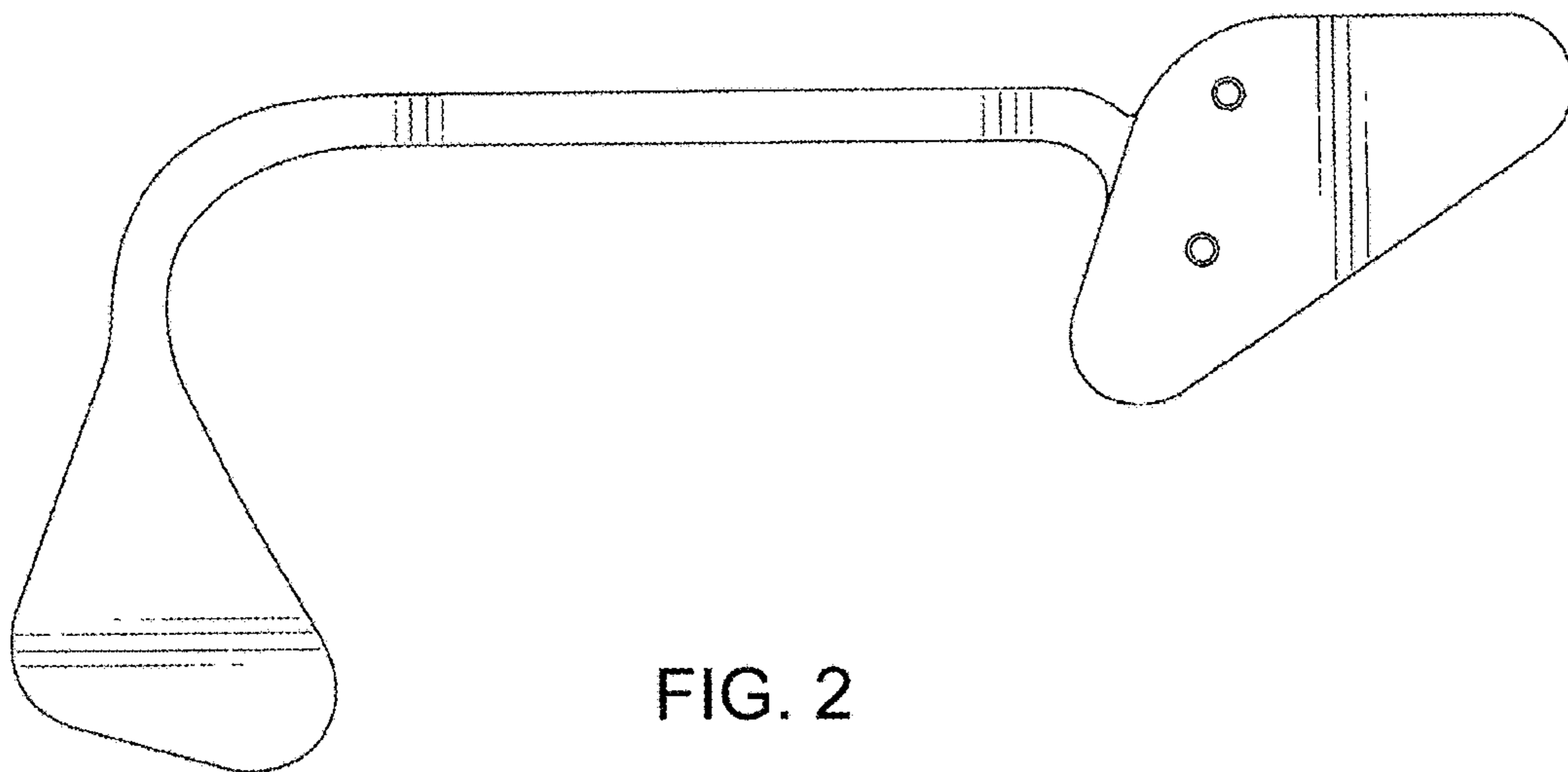
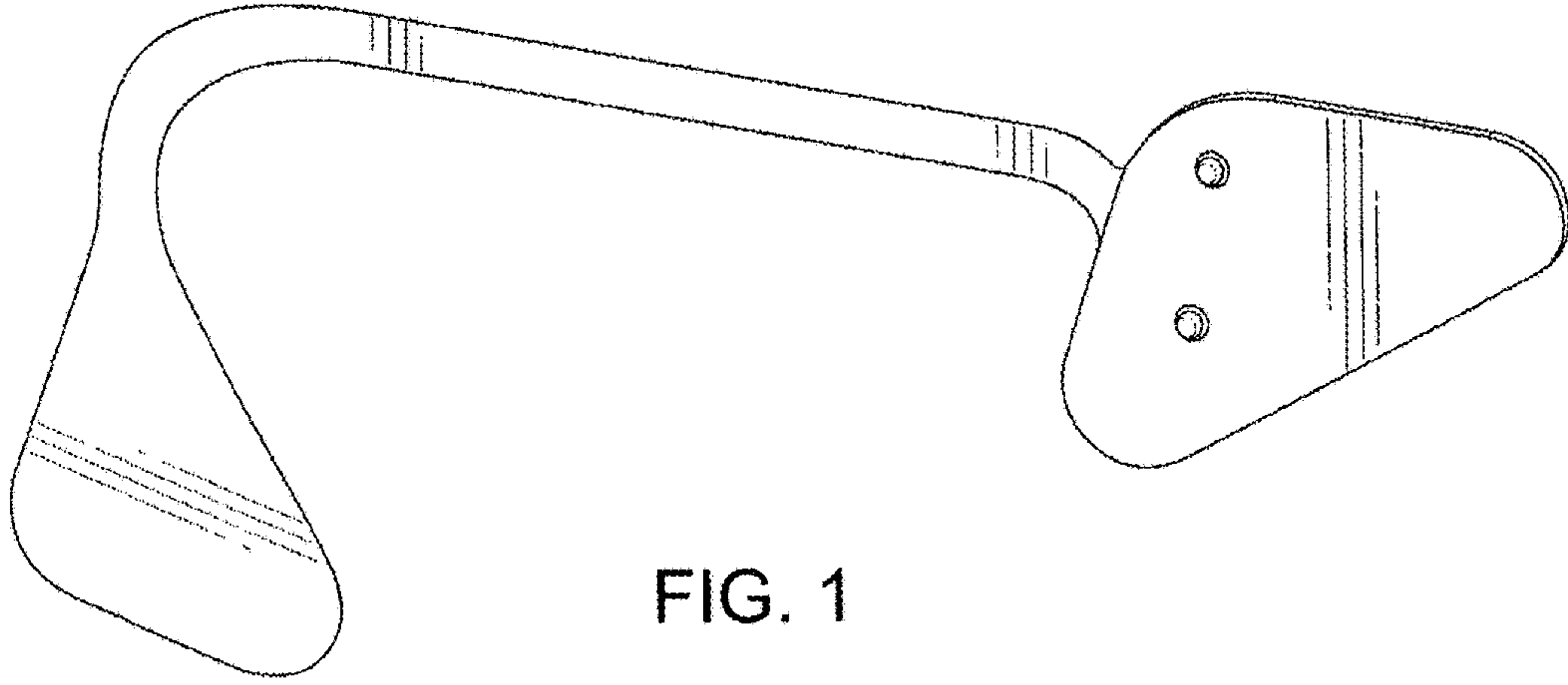
OTHER PUBLICATIONS

Goldwasser et al.; Design U.S. Appl. No. 29/513,747 entitled
“Wearable neuromodulator” filed Jan. 5, 2015.

Jeffery et al.; Design U.S. Appl. No. 29/527,368 entitled “Electrode
assembly for transdermal and transcranial stimulation,” filed May
18, 2015.

Morenstein et al.; Design U.S. Appl. No. 29/517,629 entitled
“Electrode assembly for transdermal and transcranial stimulation,”
filed Feb. 13, 2015.

* cited by examiner



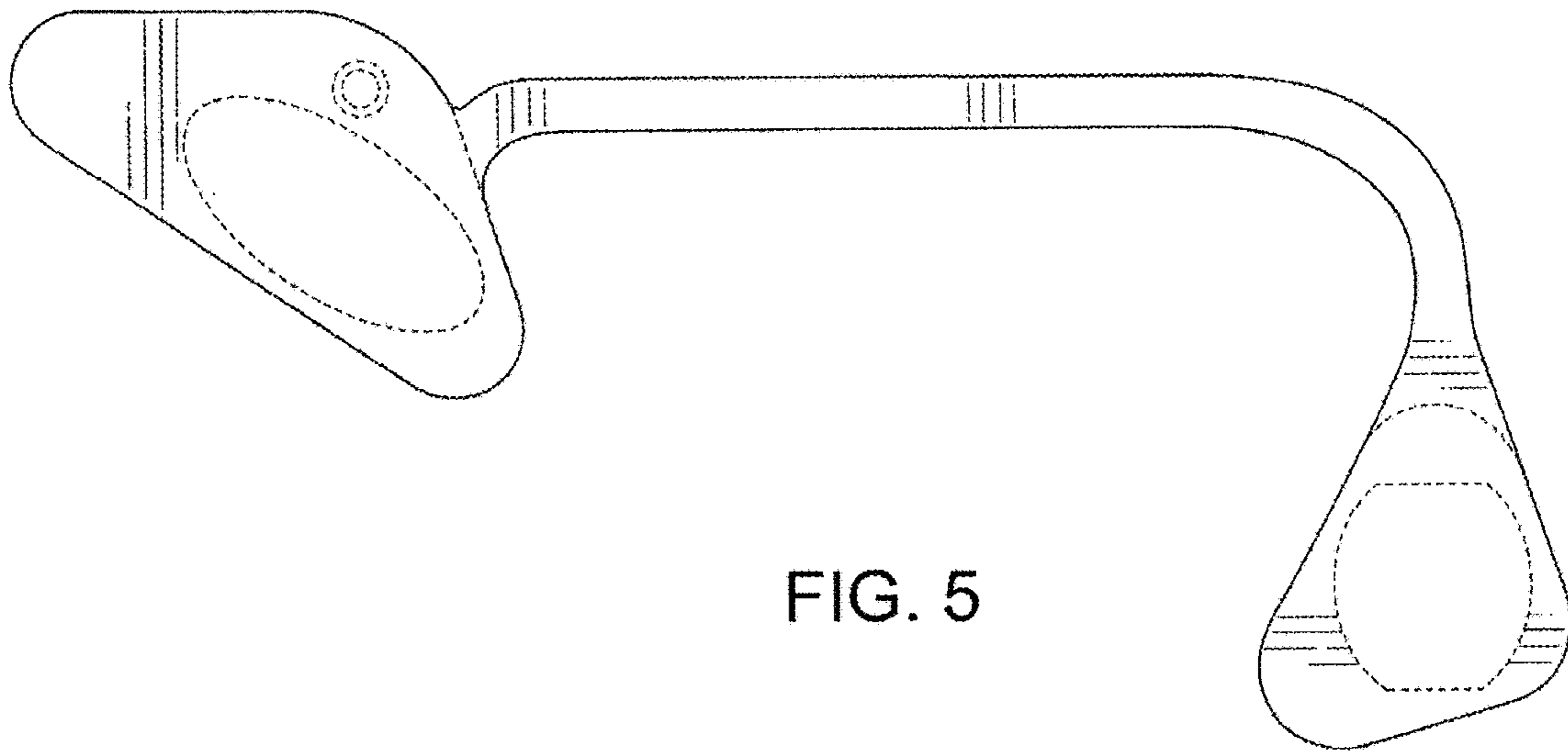


FIG. 6



FIG. 7

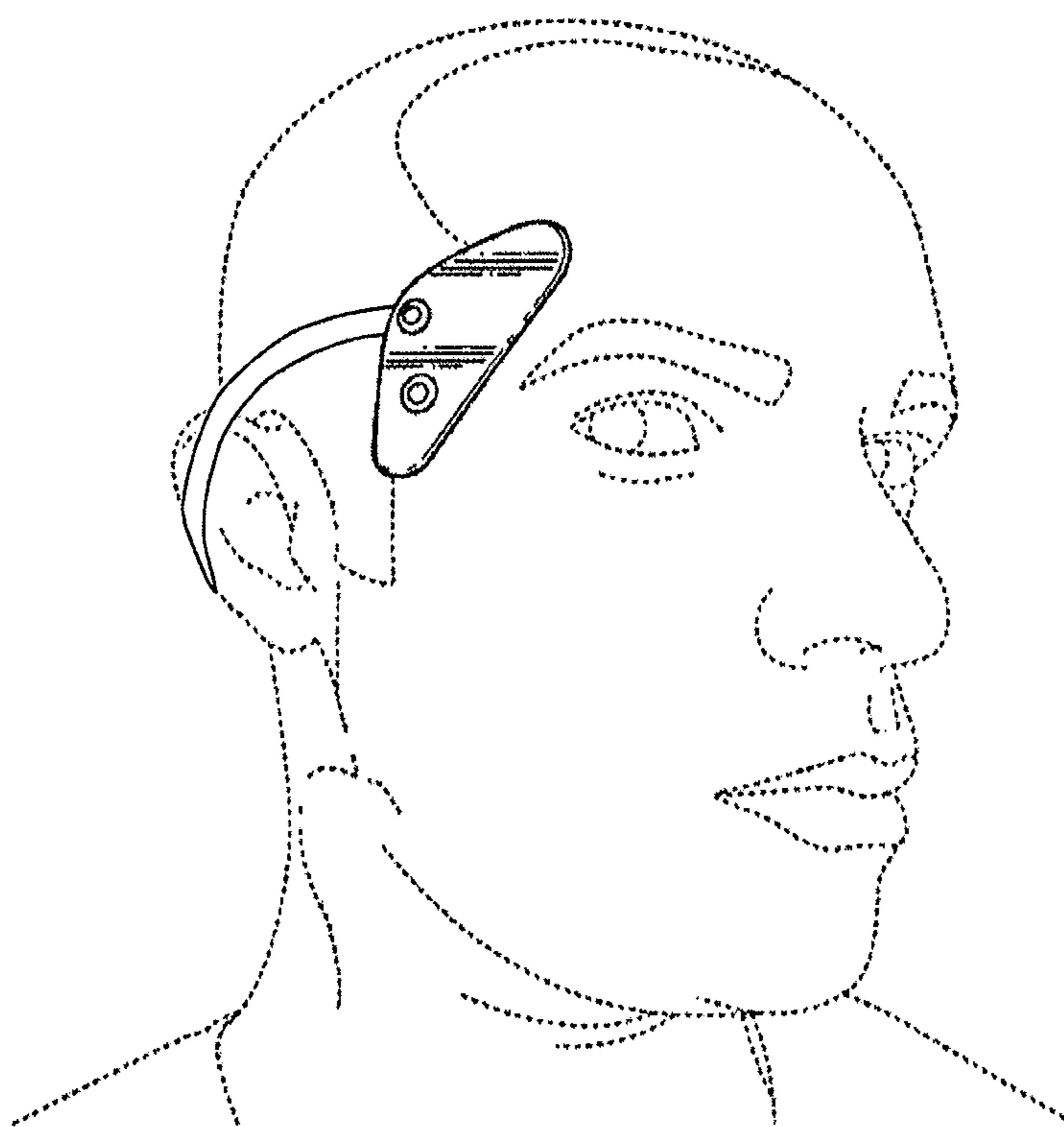


FIG. 8

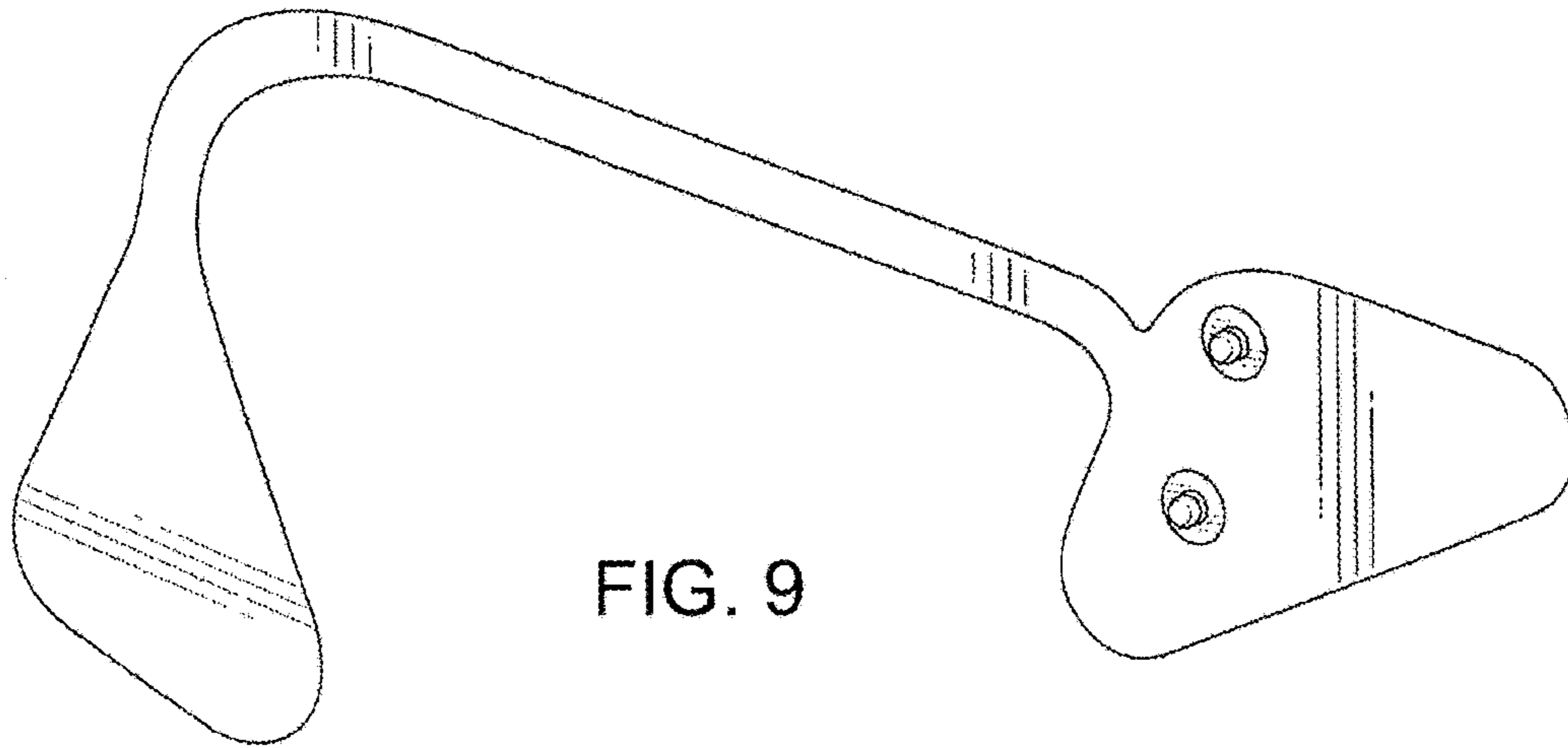


FIG. 9

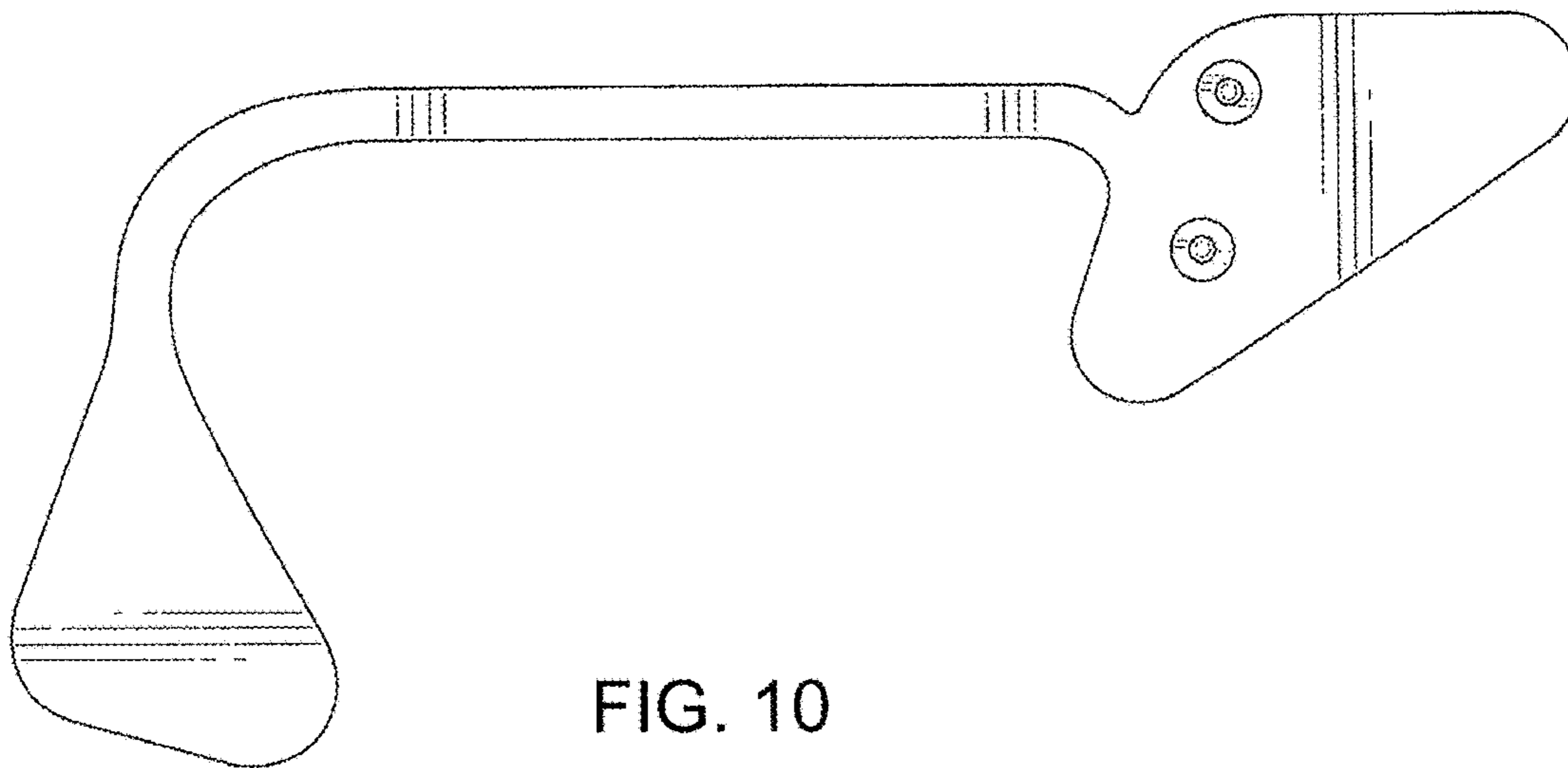


FIG. 10

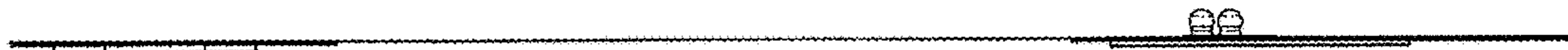


FIG. 11

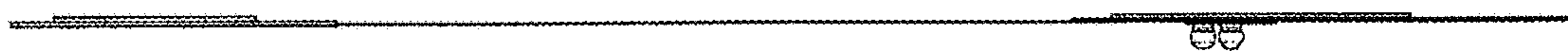


FIG. 12

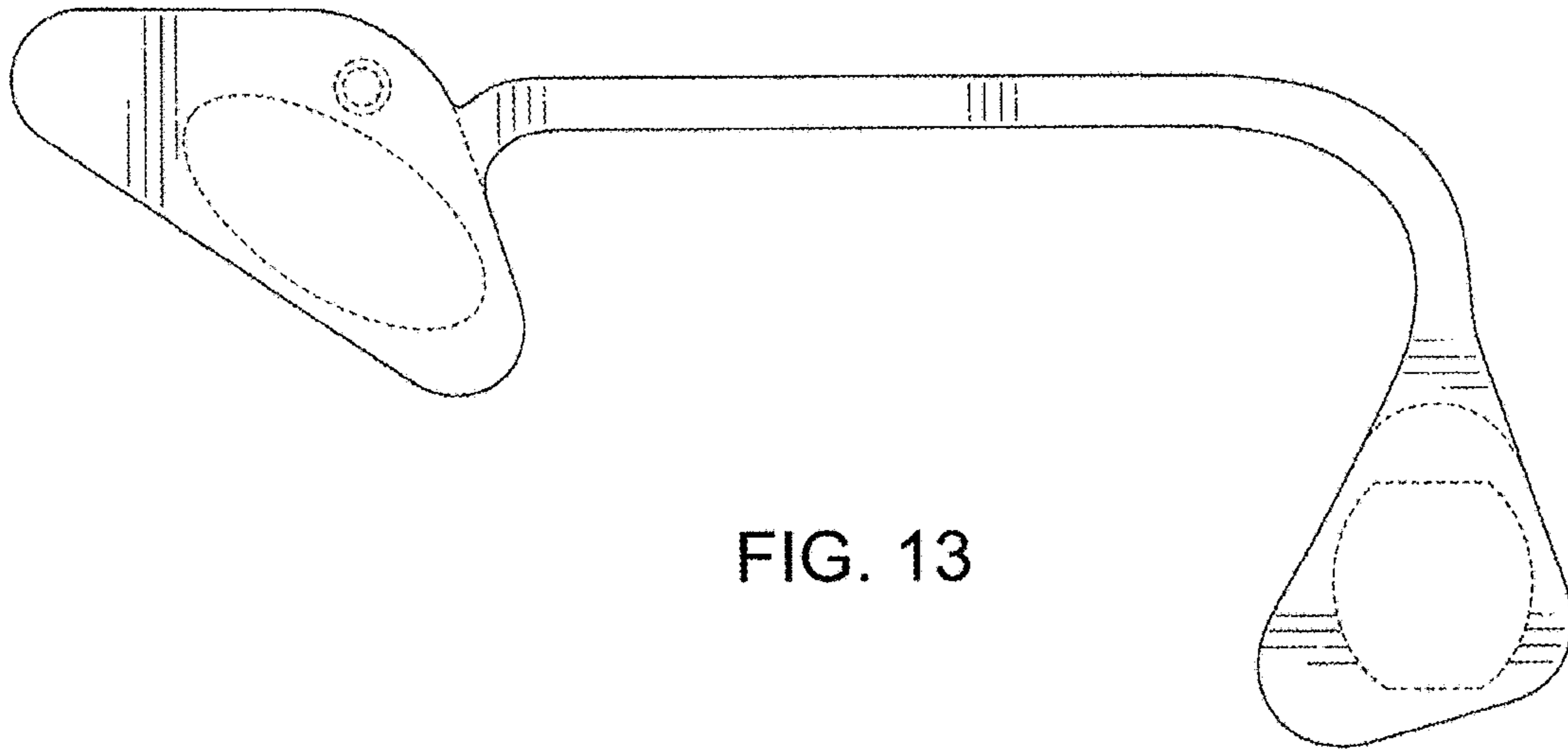


FIG. 13



FIG. 14



FIG. 15