



US00D785181S

(12) **United States Design Patent** (10) **Patent No.:** **US D785,181 S**
Grosshauser et al. (45) **Date of Patent:** **** Apr. 25, 2017**

(54) **MEDICAL APPARATUS FOR IMAGING**
(71) Applicant: **Siemens Healthcare GmbH**, Erlangen (DE)
(72) Inventors: **Carsten Grosshauser**, Erlangen (DE); **Donald Hardie**, Moehrendorf (DE); **Gerhard Helmreich**, Effeltrich (DE); **Dirk Licht**, Munich (DE); **Bernd Maciejewski**, Markt Erlbach (DE); **Markus Mottscheller**, Nuremberg (DE)
(73) Assignee: **Siemens Healthcare GmbH**, Erlangen (DE)

D703,321 S * 4/2014 Wodecki D24/158
D715,945 S * 10/2014 Zhang D24/159
D738,505 S * 9/2015 Eberler D24/158
D752,223 S * 3/2016 Park D24/158
2009/0080186 A1* 3/2009 Helmreich A61B 5/055
362/231
2012/0230465 A1* 9/2012 Matsuzawa A61B 6/035
378/13
2013/0162254 A1* 6/2013 Hierl G01R 33/28
324/319

* cited by examiner

Primary Examiner — Anhdao Doan
(74) *Attorney, Agent, or Firm* — Schiff Hardin LLP

(**) Term: **15 Years**

(21) Appl. No.: **29/549,459**

(22) Filed: **Dec. 22, 2015**

(30) **Foreign Application Priority Data**

Jun. 24, 2015 (EM) 001437040

(51) **LOC (10) Cl.** **24-01**

(52) **U.S. Cl.**
USPC **D24/158**

(58) **Field of Classification Search**
USPC D24/158–161, 185, 186, 107
CPC .. A61B 5/05; A61B 5/055; A61B 6/03; A61B 6/035
See application file for complete search history.

(56) **References Cited**

U.S. PATENT DOCUMENTS

D678,527 S * 3/2013 Boninger D24/158
D681,207 S * 4/2013 Ninomiya D24/158

(57) **CLAIM**

The ornamental design for a medical apparatus for imaging, as shown and described.

DESCRIPTION

FIG. 1 is a front elevational view of the medical apparatus for imaging of the present disclosure; FIG. 2 is a back elevational view thereof; FIG. 3 is a top plan view thereof; FIG. 4 is a bottom plan view thereof; FIG. 5 is a side elevational view of the right side thereof; FIG. 6 is a side elevational view of the left side thereof; and, FIG. 7 is a perspective view taken generally from the upper, front, right-hand side thereof. Any portions shown in broken lines are for illustrative purposes only and form no part of the claimed design.

1 Claim, 7 Drawing Sheets

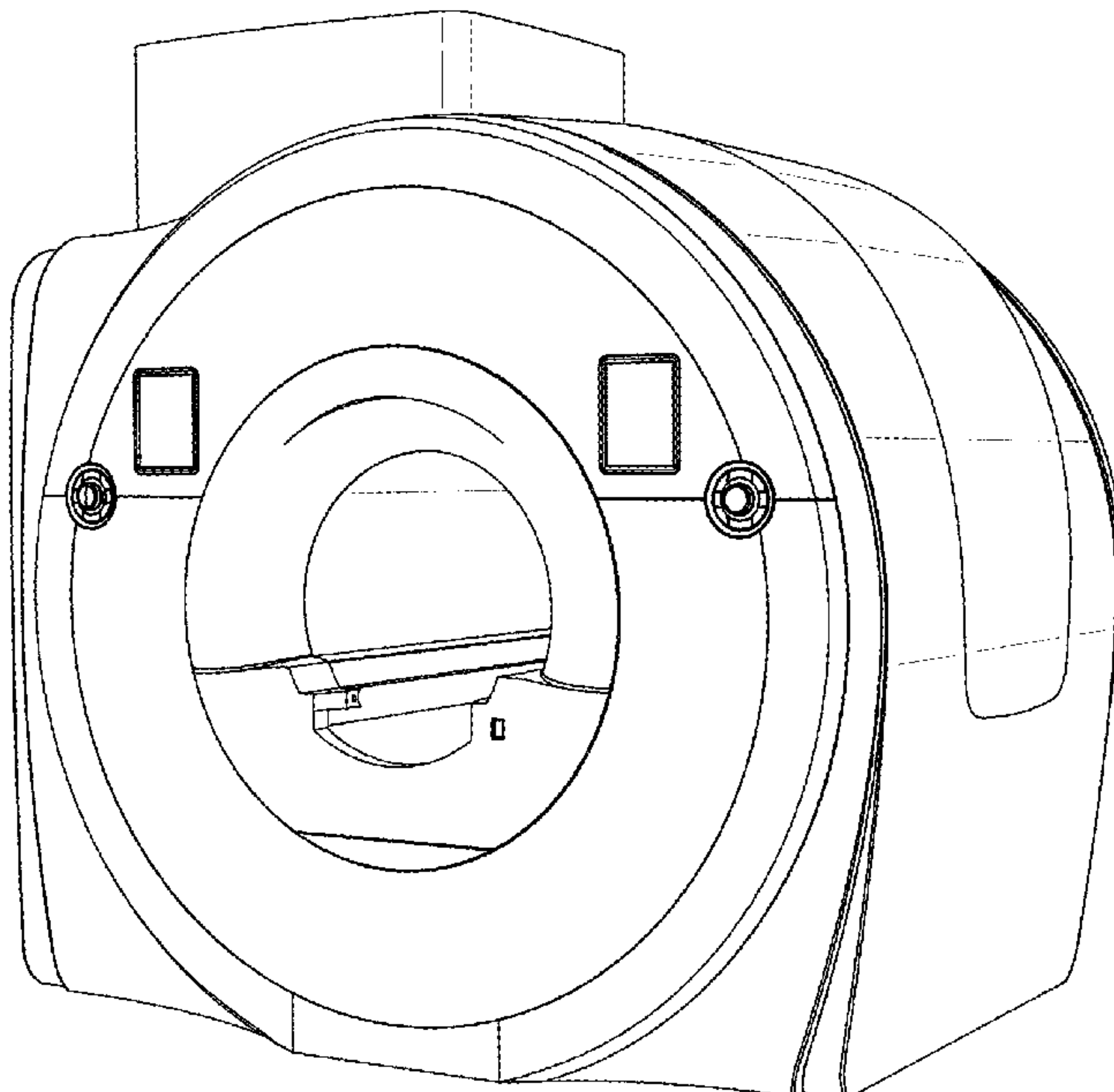


FIG 1

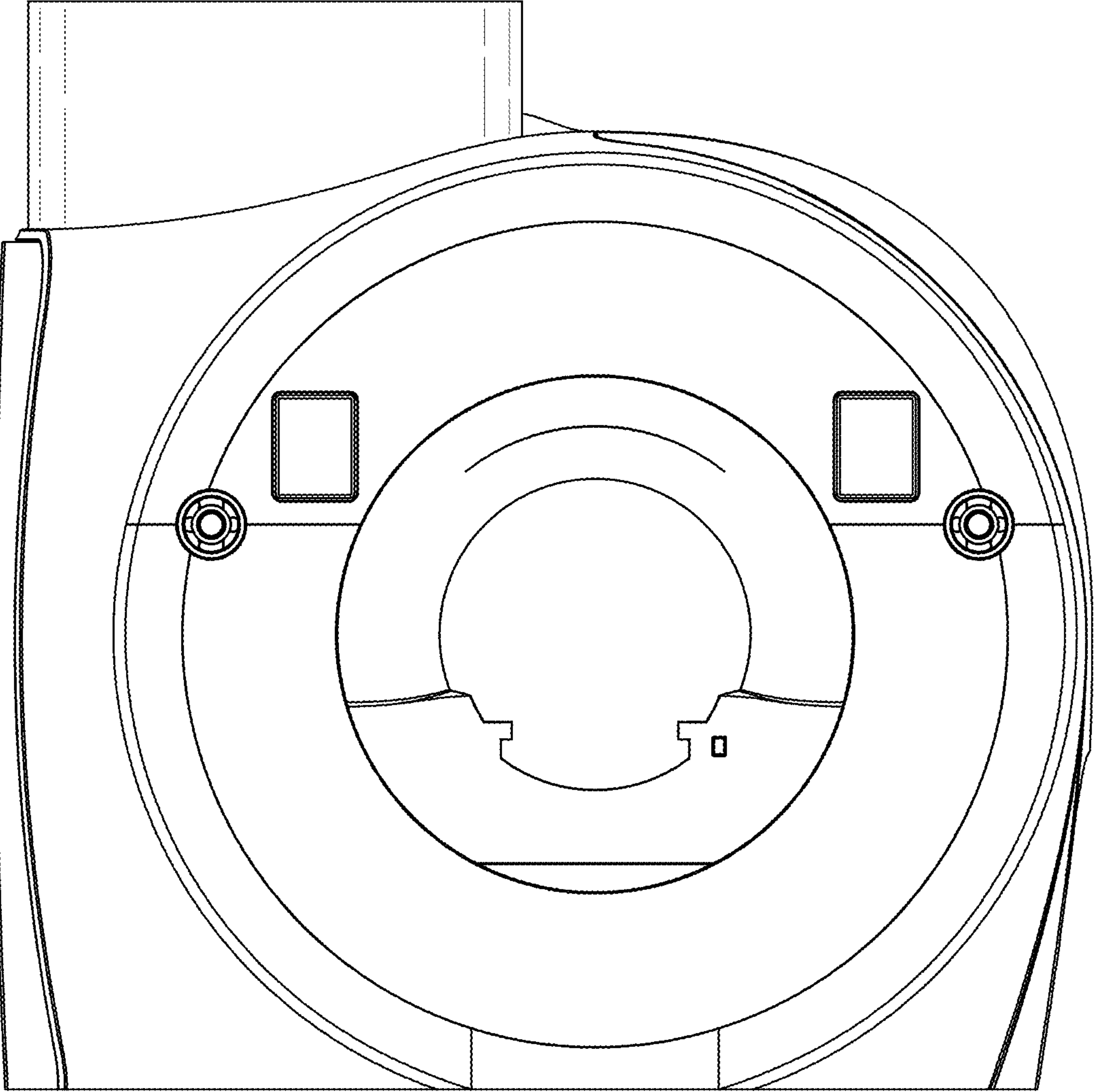


FIG 2

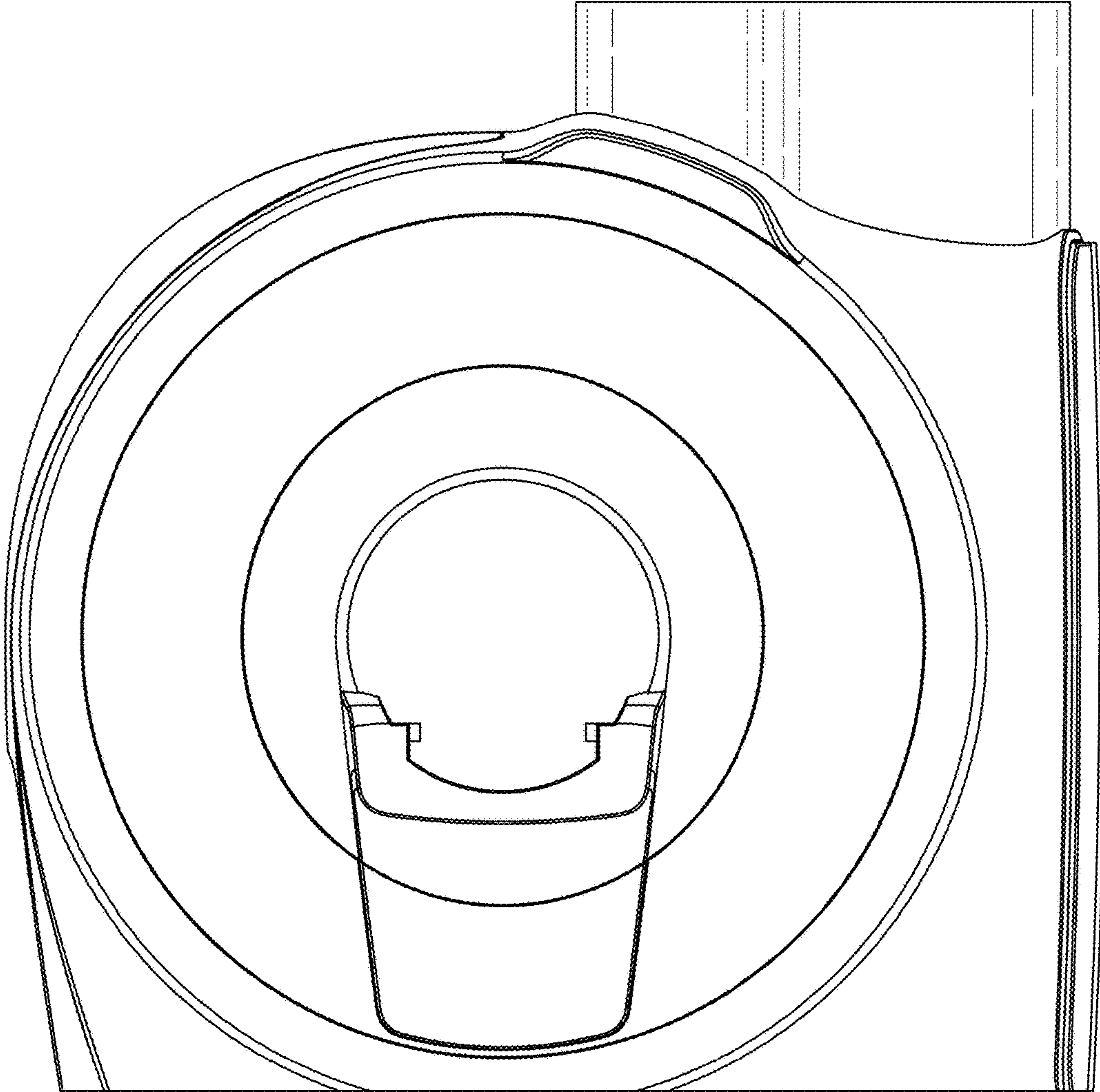


FIG 3

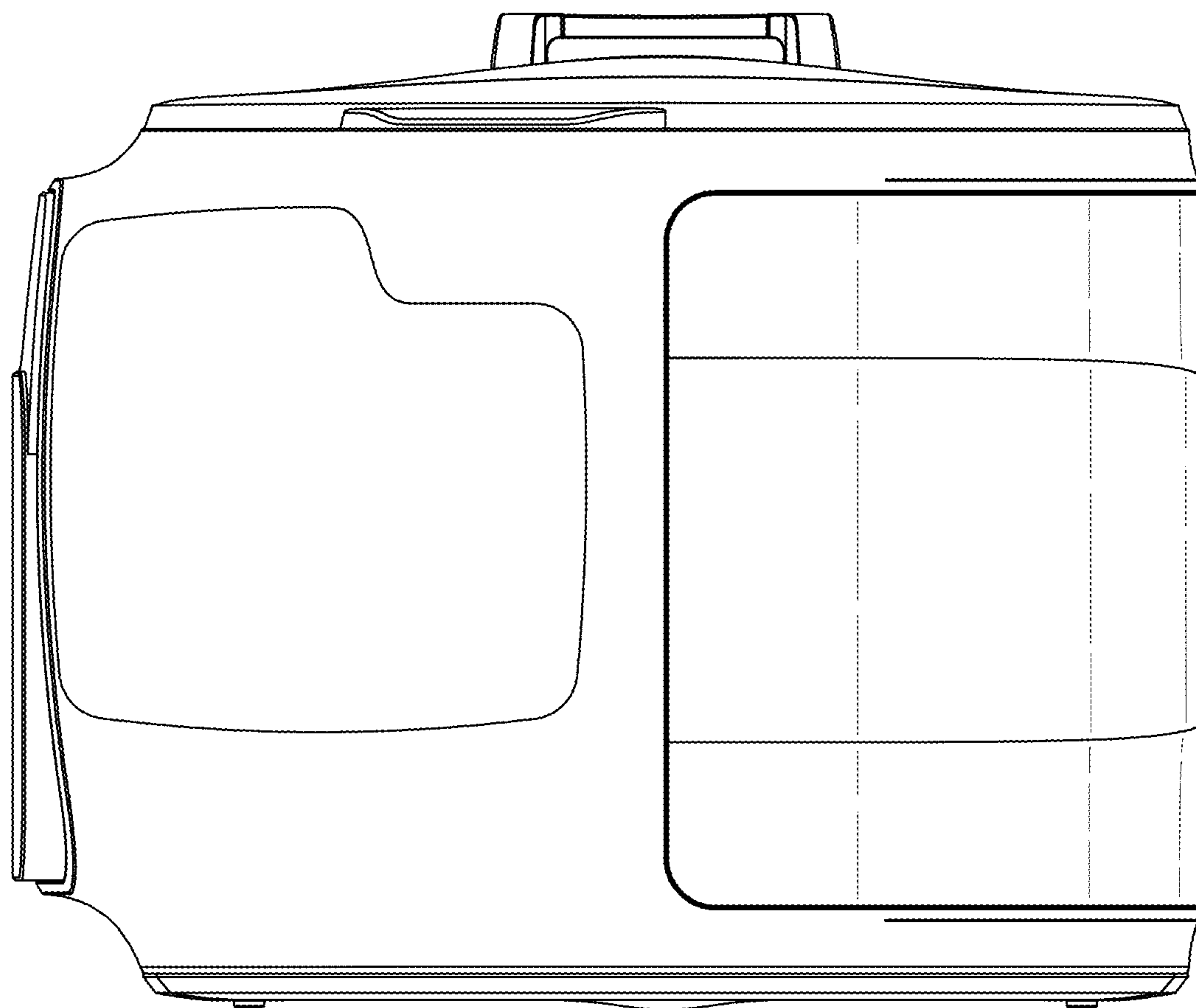


FIG 4

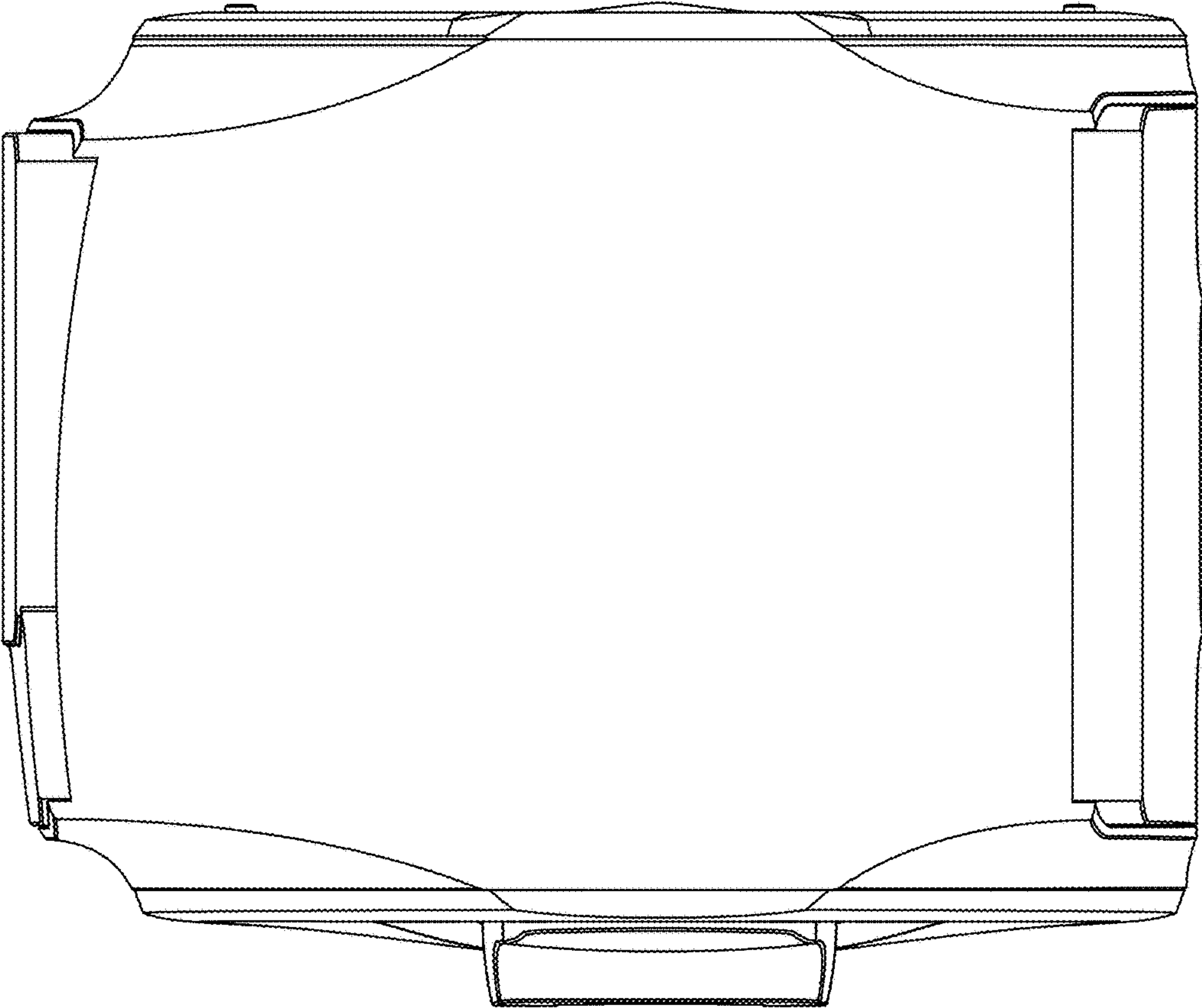


FIG 5

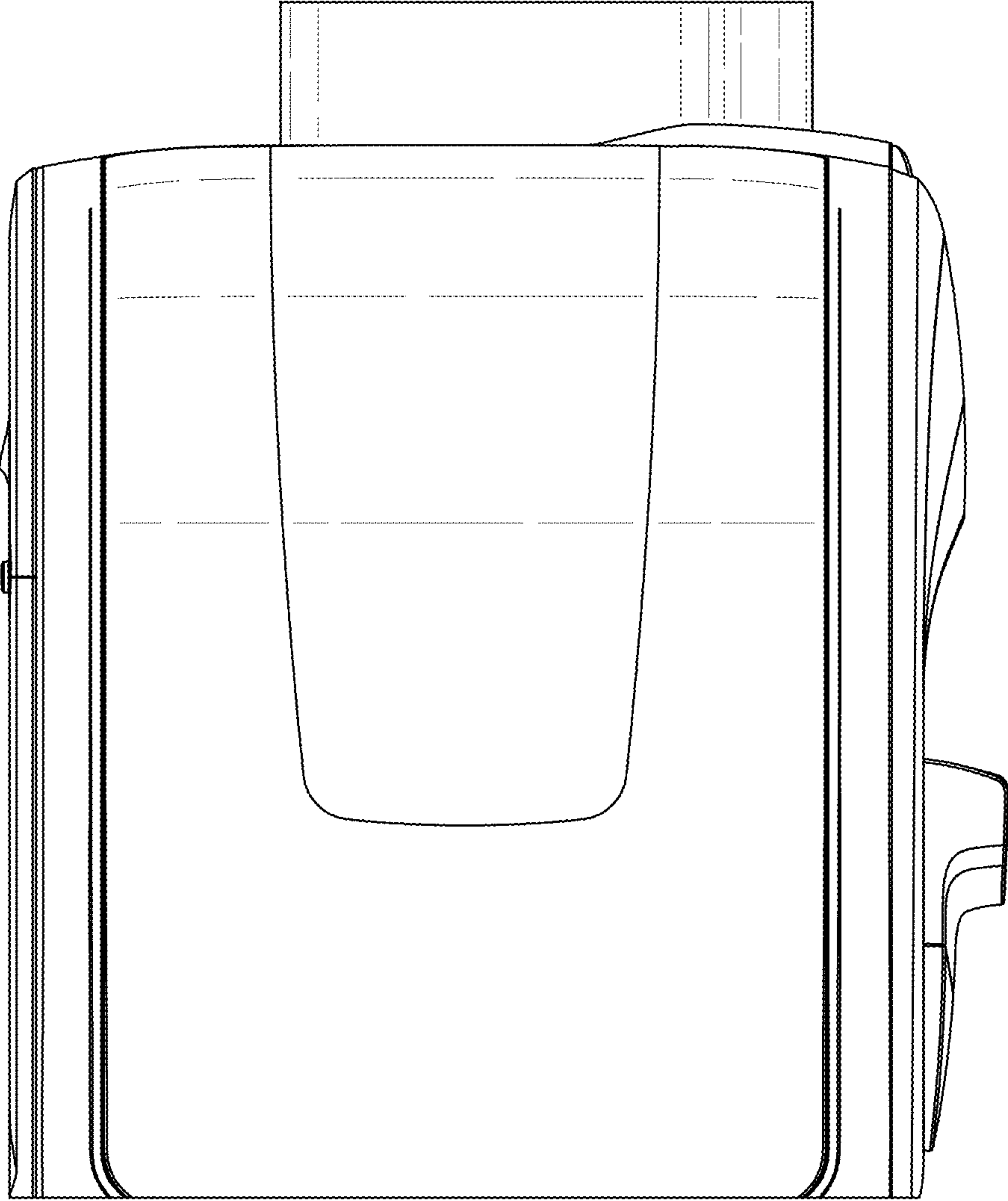


FIG 6

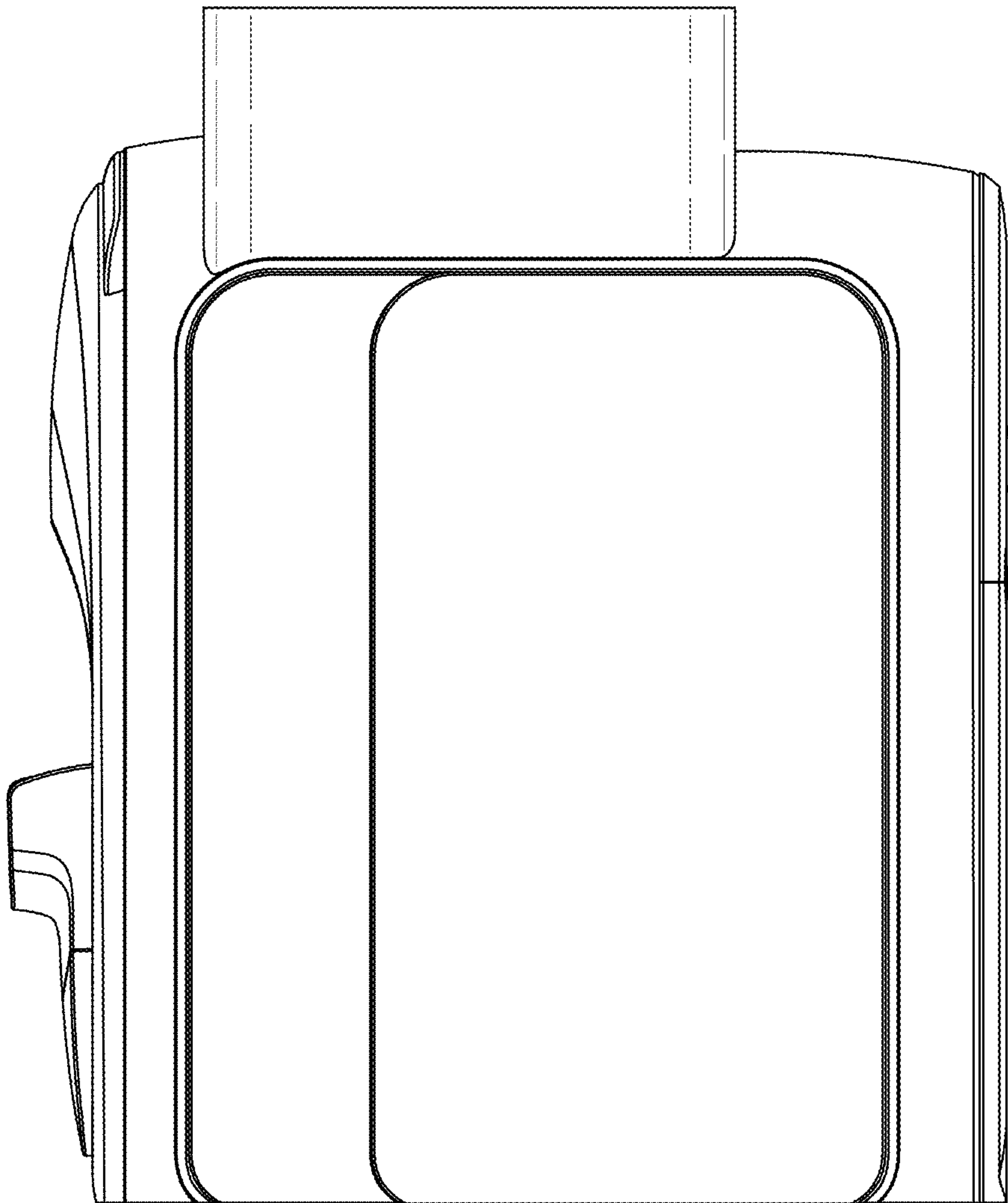


FIG 7

