



US00D785178S

(12) **United States Design Patent**  
**Kohler et al.**

(10) **Patent No.:** **US D785,178 S**  
(45) **Date of Patent:** **\*\* Apr. 25, 2017**

- (54) **ZYGOMATIC BONE IMPLANT**
- (71) Applicant: **Karl Leibinger Medizintechnik GmbH & Co. KG**, Muehlheim (DE)
- (72) Inventors: **Klaus Kohler**, Hausen (DE); **Axel Waizenegger**, Muehlheim (DE)
- (73) Assignee: **Karl Leibinger Medizintechnik GmbH & Co. KG**, Muehlheim (DE)
- (\*\*) Term: **15 Years**
- (21) Appl. No.: **29/555,003**
- (22) Filed: **Feb. 17, 2016**
- (51) **LOC (10) Cl.** ..... **24-02**
- (52) **U.S. Cl.**  
USPC ..... **D24/155**
- (58) **Field of Classification Search**  
USPC ..... D24/155-157  
CPC ..... A61B 17/8061; A61B 17/7059; A61B 17/8052; A61B 17/8605; A61B 17/8085; A61B 17/809; A61B 17/8014; A61B 17/8033; A61B 17/8004; A61B 17/888; A61B 17/842; A61B 17/8023; A61B 17/8009; A61B 17/86; A61B 17/1739; A61B 17/8066; A61B 17/1671; A61B 17/1757; A61B 17/8071; A61B 17/176; A61B 2017/1782; A61B 2017/1775  
See application file for complete search history.

- 8,257,405 B2 \* 9/2012 Haidukewych .... A61B 17/8061 606/280
- 8,398,687 B2 \* 3/2013 Vasta ..... A61B 17/8061 606/284
- D699,351 S \* 2/2014 Podgorski ..... D24/155
- 8,940,026 B2 \* 1/2015 Hilse ..... A61B 17/8014 606/282
- D740,943 S \* 10/2015 Neufeld ..... A61B 17/80 D24/155
- D745,162 S \* 12/2015 Neufeld ..... D24/155
- 9,204,912 B2 \* 12/2015 Price ..... A61B 17/1728
- 9,333,014 B2 \* 5/2016 Gonzalez-Hernandez ..... A61B 17/8061
- 9,387,020 B2 \* 7/2016 Geissler ..... A61B 17/8042
- D765,850 S \* 9/2016 Early ..... D24/155
- D765,852 S \* 9/2016 Early ..... D24/155
- D766,438 S \* 9/2016 DaCosta ..... D24/155
- D766,439 S \* 9/2016 DaCosta ..... D24/155
- D767,135 S \* 9/2016 Paik ..... D24/155
- D767,136 S \* 9/2016 Paik ..... D24/155
- 2004/0210220 A1 \* 10/2004 Tornier ..... A61B 17/8061 606/284
- 2004/0225291 A1 \* 11/2004 Schwammberger ... A61B 17/80 606/71

(Continued)

*Primary Examiner* — Charles Hanson  
(74) *Attorney, Agent, or Firm* — Banner & Witcoff, Ltd.

(57) **CLAIM**

The ornamental design for a zygomatic bone implant, as shown and described.

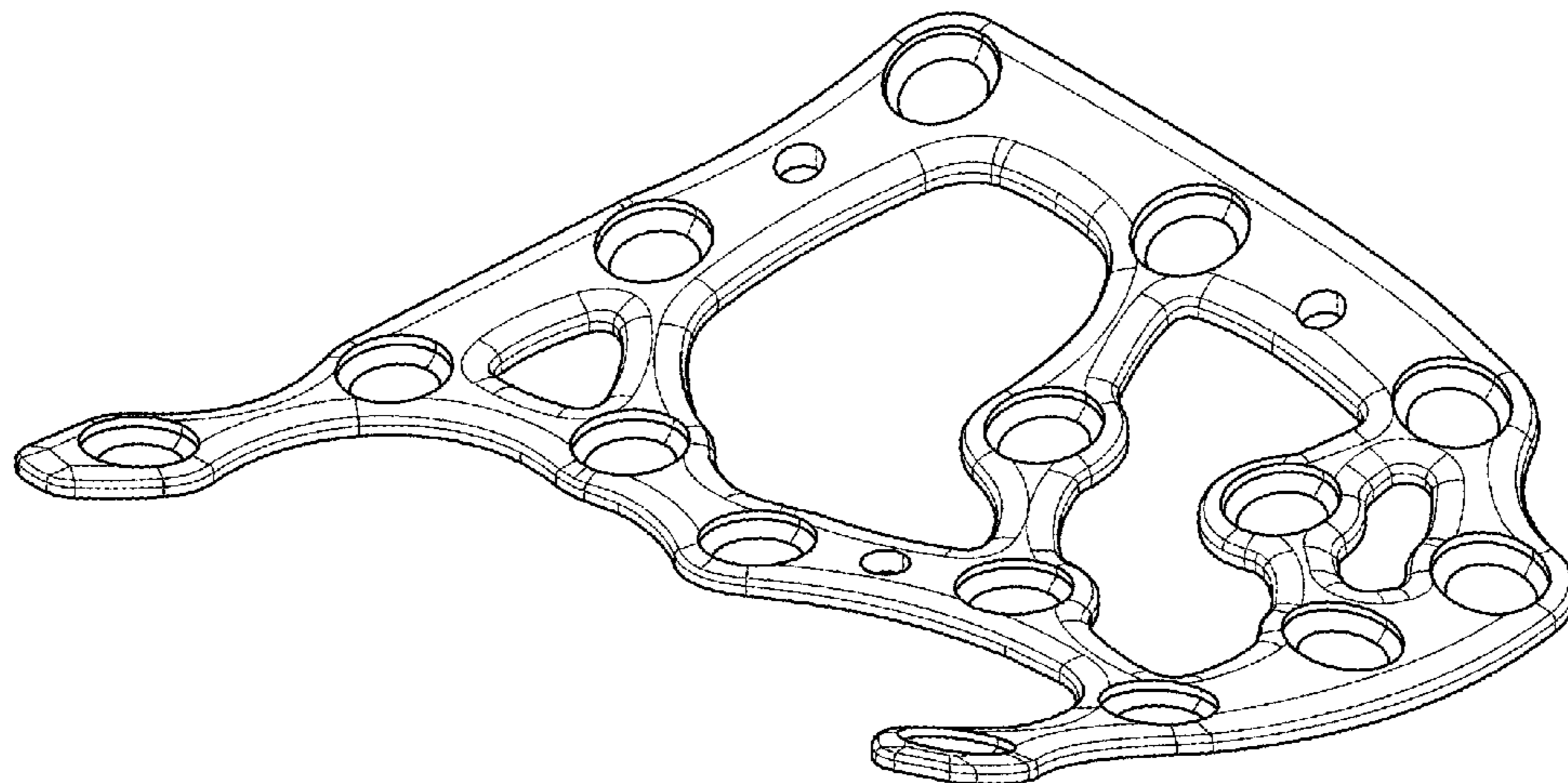
**DESCRIPTION**

FIG. 1 is a perspective view of a zygomatic bone implant showing our new design;  
FIG. 2 is a front view thereof;  
FIG. 3 is a rear view thereof;  
FIG. 4 is a right side view thereof;  
FIG. 5 is a left side view thereof;  
FIG. 6 is a top view thereof; and,  
FIG. 7 is a bottom view thereof.

**1 Claim, 7 Drawing Sheets**

(56) **References Cited**  
U.S. PATENT DOCUMENTS

- 5,938,664 A \* 8/1999 Winquist ..... A61B 17/8061 606/283
- D469,533 S \* 1/2003 Bryant ..... D24/155
- D480,141 S \* 9/2003 Benirschke ..... D24/155
- D520,637 S \* 5/2006 Kay ..... D24/155
- D580,057 S \* 11/2008 Ramadani ..... D24/155
- D648,027 S \* 11/2011 Vancelette ..... D24/155



(56)

**References Cited**

U.S. PATENT DOCUMENTS

2005/0182408 A1\* 8/2005 Pfefferle ..... A61B 17/8085  
606/282  
2008/0021452 A1\* 1/2008 Ducharme ..... A61B 17/8061  
606/60  
2013/0116734 A1\* 5/2013 Gonzalez-  
Hernandez ..... A61B 17/8061  
606/286

\* cited by examiner

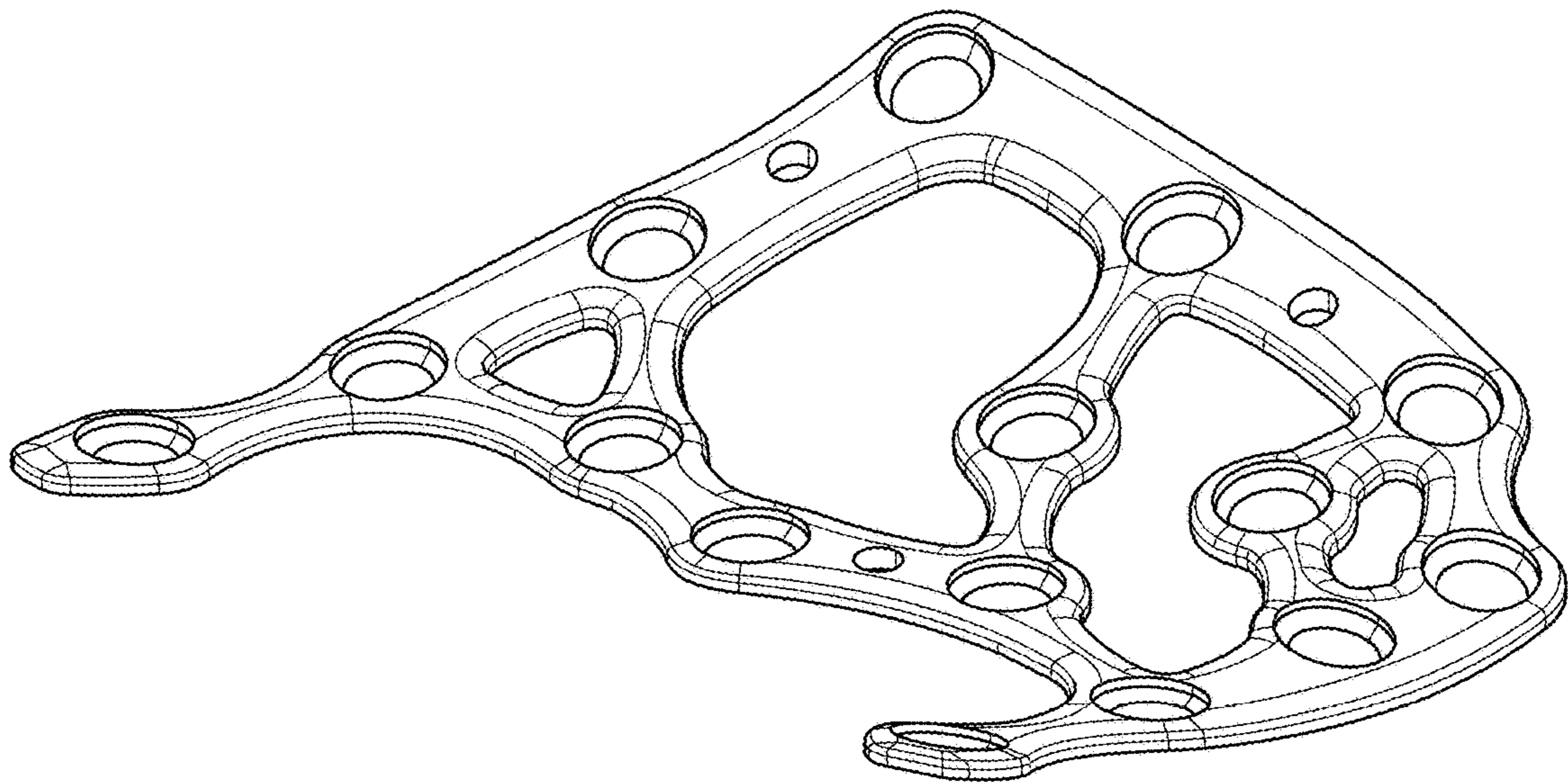


FIG. 1

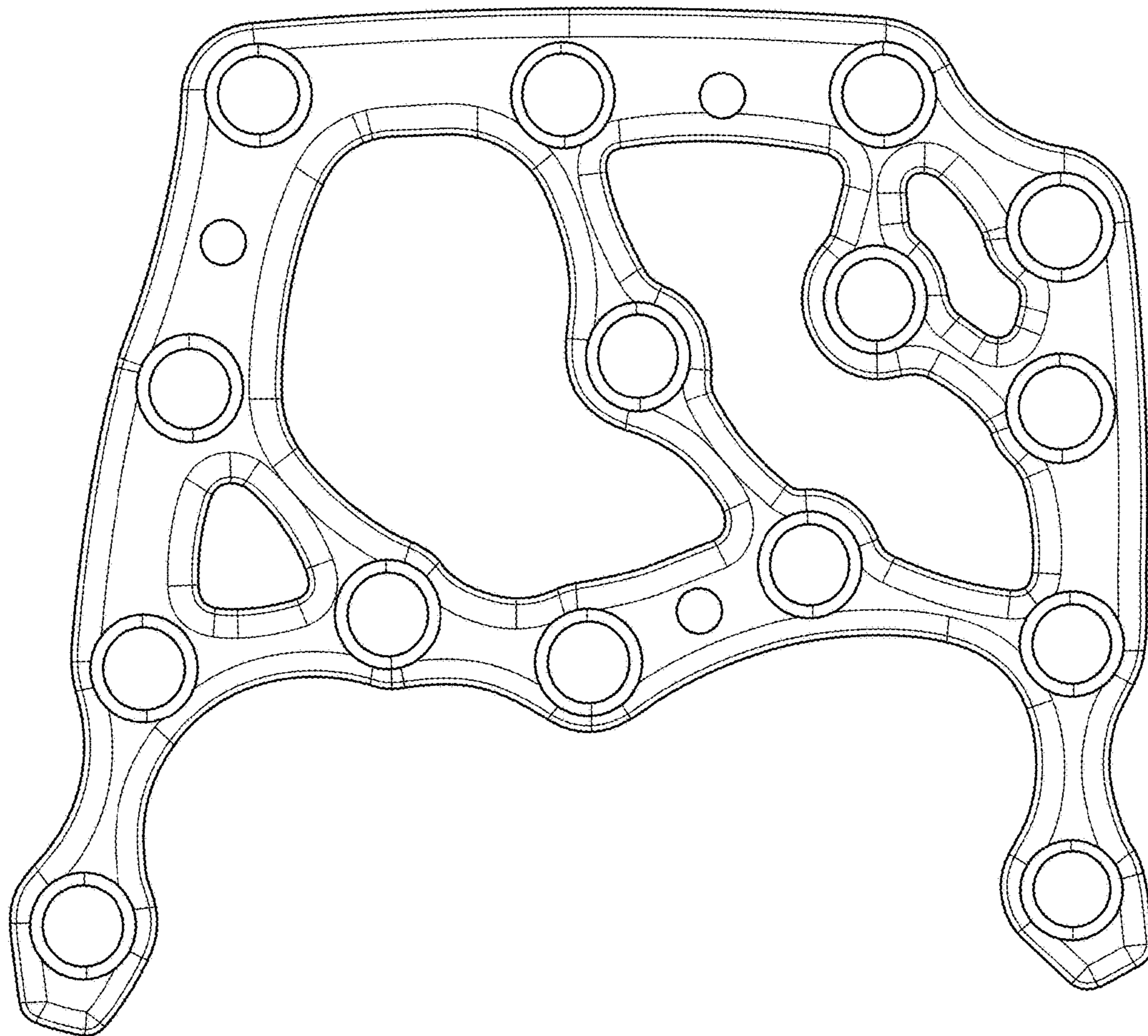


FIG. 2

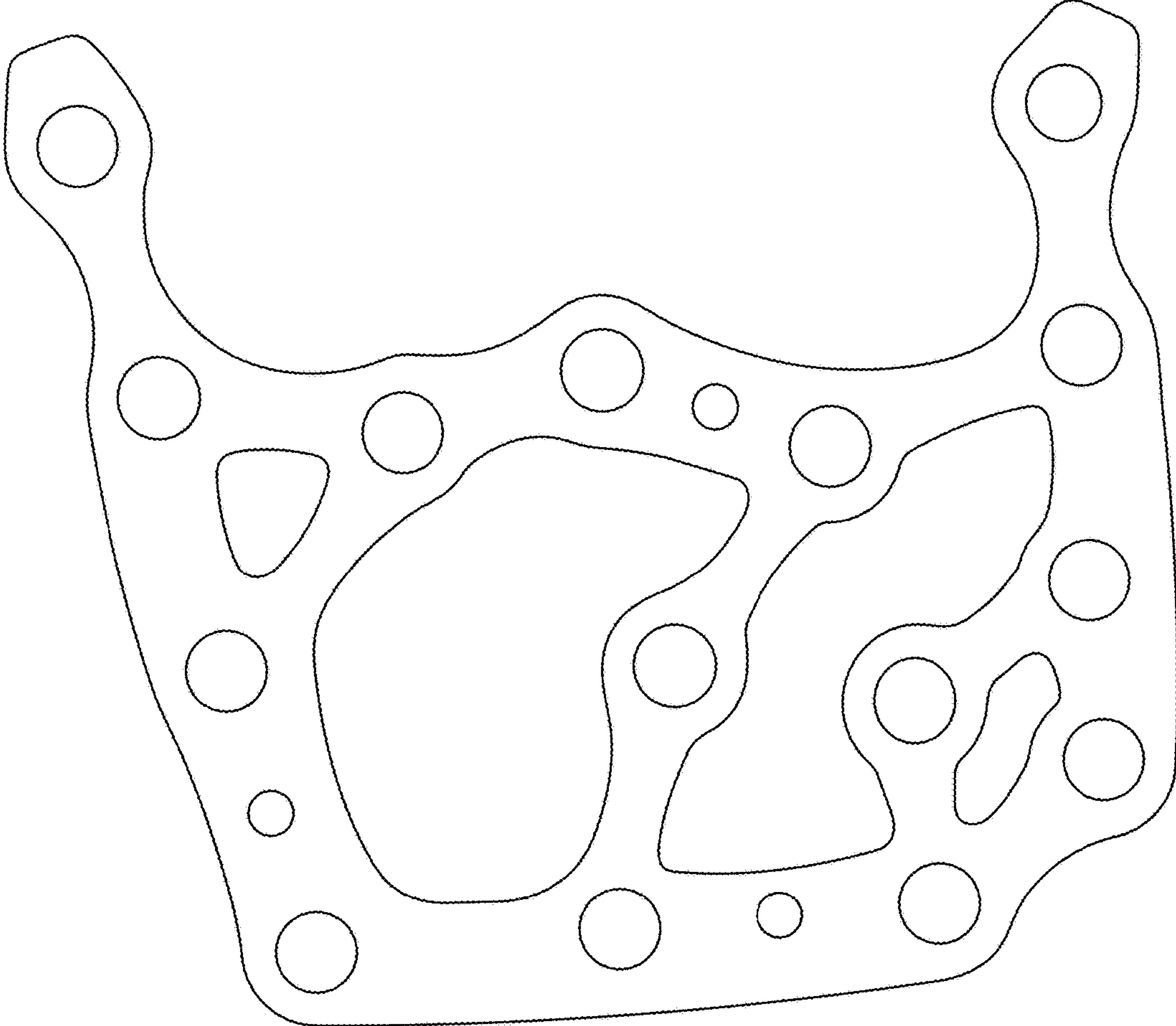


FIG. 3

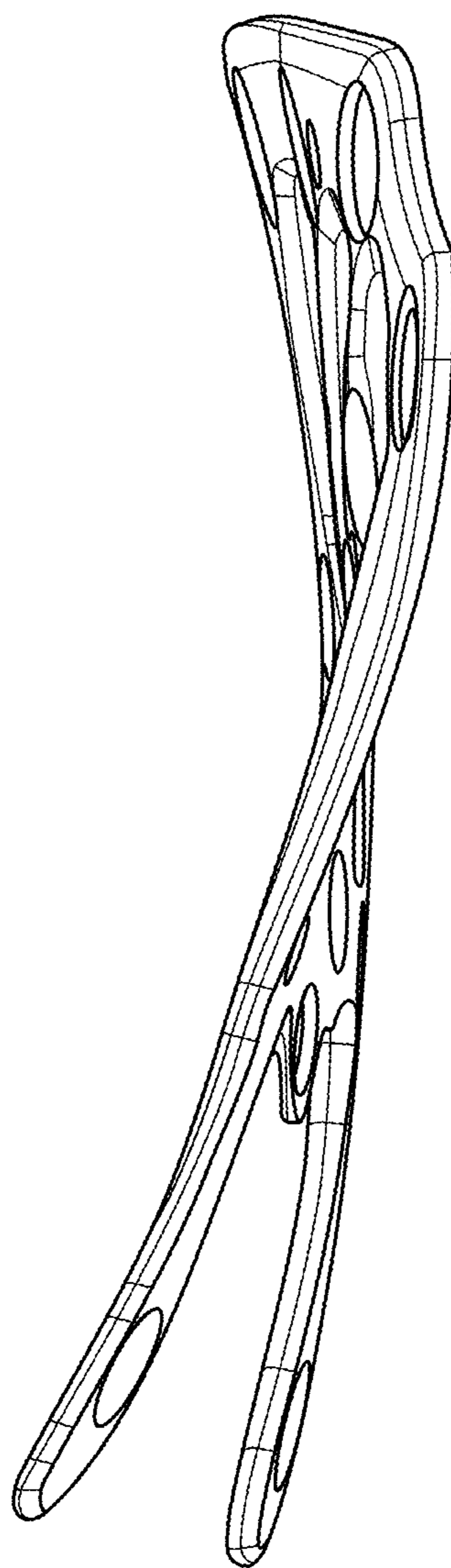


FIG. 4

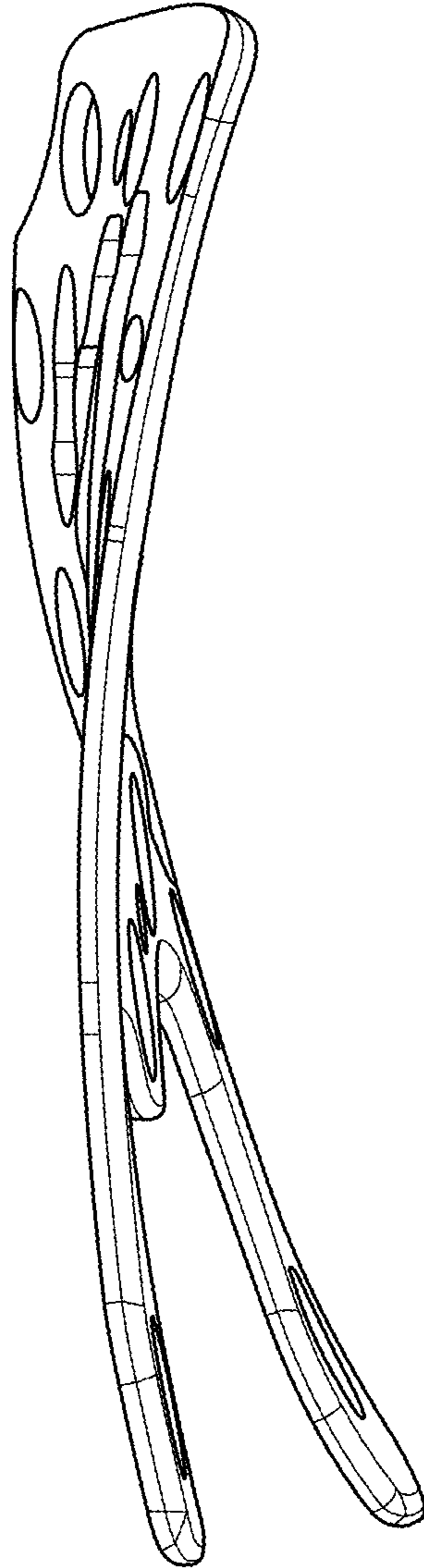


FIG. 5

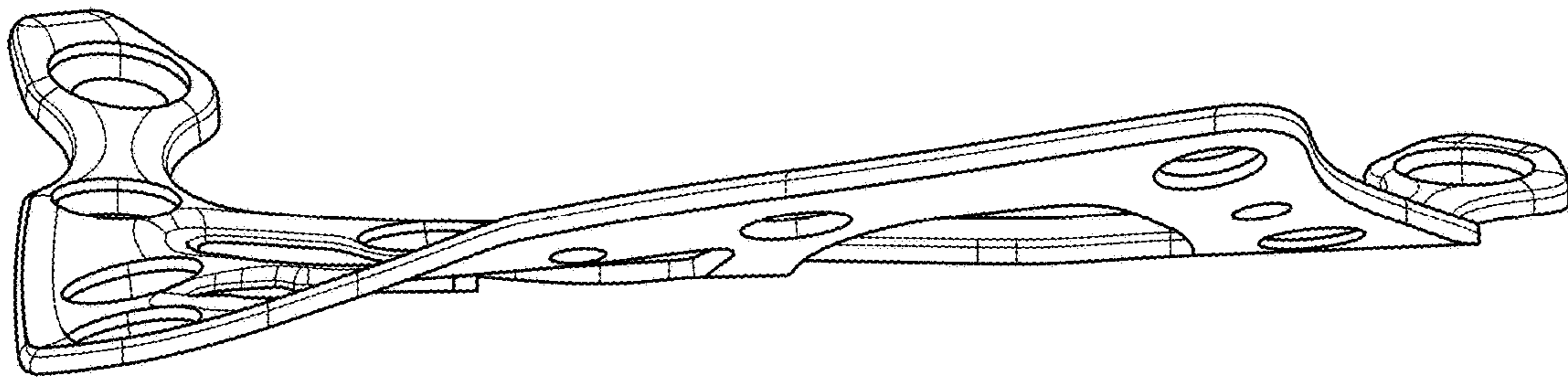


FIG. 6



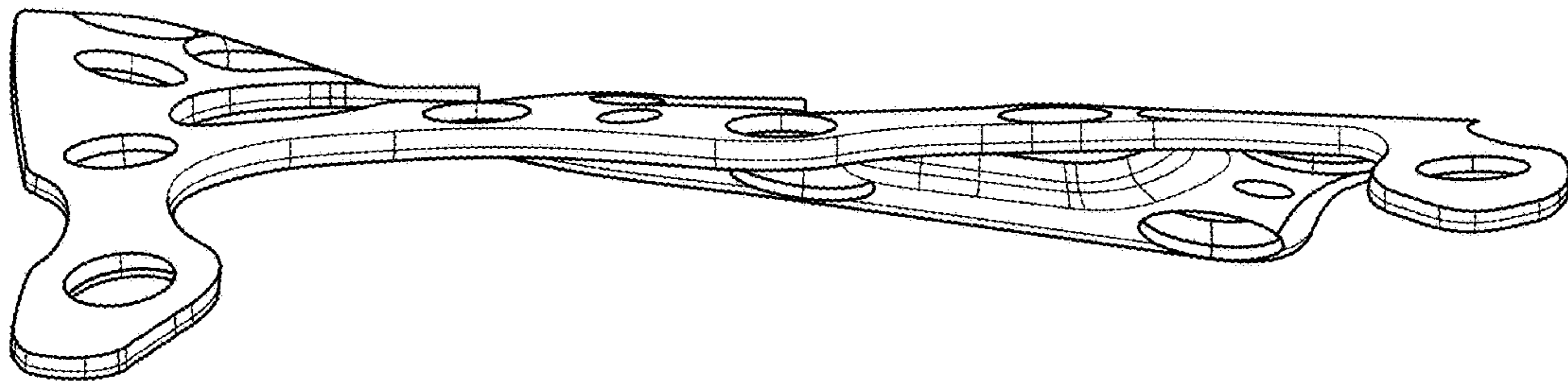


FIG. 7