



US00D785177S

(12) **United States Design Patent** (10) **Patent No.:** **US D785,177 S**
Gonzalez et al. (45) **Date of Patent:** **** Apr. 25, 2017**

(54) **PROSTHETIC KNEE**
(71) Applicant: **Limbs International Inc.**, El Paso, TX (US)
(72) Inventors: **Roger V. Gonzalez**, El Paso, TX (US);
Aaron Nystrom, El Paso, TX (US);
Eric Minelga, Snohomish, WA (US);
Matthew Edmunds, Marysville, WA (US)
(73) Assignee: **LIMBS International Inc.**, El Paso, TX (US)

6,086,616 A 7/2000 Okuda et al.
6,187,051 B1 2/2001 Gerad van de Veen
6,187,052 B1 2/2001 Molino et al.
D439,339 S * 3/2001 Sawatzki D24/155
6,206,933 B1 3/2001 Shorter et al.
D446,304 S * 8/2001 Sawatzki D24/155
6,482,236 B2 11/2002 Habecker
6,508,843 B2 1/2003 Suzuki
6,676,707 B2 1/2004 Yih et al.
6,706,074 B1 3/2004 Chen
6,749,640 B1 6/2004 Luhrs et al.
6,752,835 B2 6/2004 Shen

(Continued)

FOREIGN PATENT DOCUMENTS

(**) Term: **15 Years**

DE 417623 8/1925
DE 808743 7/1951

(21) Appl. No.: **29/530,847**

(Continued)

(22) Filed: **Jun. 19, 2015**

OTHER PUBLICATIONS

(51) **LOC (10) Cl.** **24-02**

SPS Prosthetic Catalog 2008-2009, "Knee Joints", pp. 73-91.

(52) **U.S. Cl.**
USPC **D24/155**

Primary Examiner — Charles Hanson

(58) **Field of Classification Search**
USPC D24/155

(74) *Attorney, Agent, or Firm* — Fish & Richardson P.C.

CPC A61F 2/3859; A61F 2/38; A61F 2/389;
A61F 2/3886; A61F 2/60; A61F 2/06;
A61F 2/66; A61F 2/76; A61F 2310/00023
See application file for complete search history.

(57) **CLAIM**

The ornamental design for a prosthetic knee, substantially as shown and described.

(56) **References Cited**

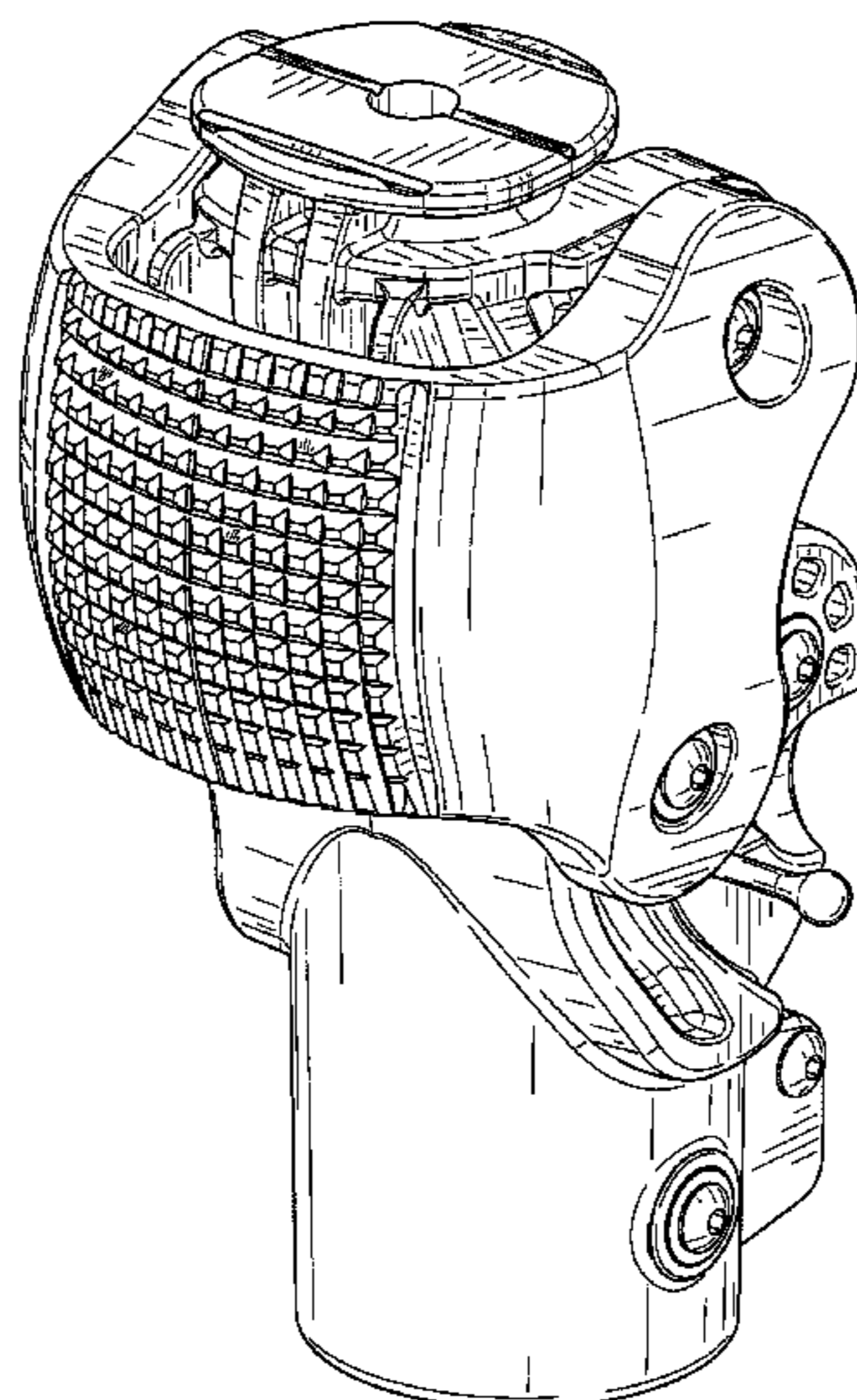
DESCRIPTION

U.S. PATENT DOCUMENTS

3,823,424 A 7/1974 May
3,969,773 A 7/1976 Menschik
4,064,569 A 12/1977 Campbell
4,178,642 A 12/1979 May
4,911,709 A 3/1990 Marlow
5,181,931 A 1/1993 Van de Veen
5,545,232 A 8/1996 Van de Veen
5,645,590 A 7/1997 Van de Veen
5,746,774 A 5/1998 Kramer et al.
5,800,567 A 9/1998 Cooper et al.
5,888,236 A 3/1999 Van de Veen

FIG. 1 is a top left front perspective view of a prosthetic knee;
FIG. 2 is a front view thereof;
FIG. 3 is a back view thereof;
FIG. 4 is a left view thereof;
FIG. 5 is a right view thereof;
FIG. 6 is a top view thereof;
FIG. 7 is a bottom view thereof; and,
FIG. 8 is a bottom left front perspective view thereof.

1 Claim, 8 Drawing Sheets



(56)

References Cited

U.S. PATENT DOCUMENTS

6,808,540 B1 10/2004 Gramnas
 6,911,050 B2 6/2005 Molino et al.
 6,997,959 B2 2/2006 Chen et al.
 7,001,434 B2 2/2006 Van De Veen
 D522,142 S 5/2006 Boiten
 7,044,983 B1 5/2006 Cheng
 D523,959 S 6/2006 Muehlenberend
 7,066,964 B2 6/2006 Wild
 D525,709 S * 7/2006 Boiten D24/155
 D526,062 S * 8/2006 Harn D24/155
 D526,412 S * 8/2006 Harn D24/155
 D527,458 S 8/2006 Harn et al.
 7,087,090 B2 8/2006 Andrysek et al.
 7,087,091 B1 8/2006 Chen
 7,195,647 B2 3/2007 Chen et al.
 D553,741 S 10/2007 Chen
 D592,749 S 5/2009 Muhlenberend
 7,544,214 B2 6/2009 Gramnas
 7,582,119 B2 9/2009 Chen
 7,618,463 B2 11/2009 Oddsson et al.
 D632,790 S * 2/2011 Cheng D24/155
 8,231,688 B2 7/2012 Fairbanks et al.

D702,347 S 4/2014 Noack
 D702,348 S * 4/2014 Noack D24/155
 D732,167 S * 6/2015 Terleski D24/155
 D732,168 S * 6/2015 Terleski D24/155
 D735,862 S * 8/2015 Noack D24/155
 2002/0188355 A1 12/2002 Chen
 2004/0083007 A1 4/2004 Molino et al.
 2004/0107008 A1 6/2004 Veen
 2005/0027370 A1 2/2005 Chen et al.
 2005/0154473 A1 7/2005 Bassett
 2005/0234562 A1 10/2005 Okuda et al.
 2007/0255426 A1 11/2007 Reinhardt
 2008/0071388 A1 3/2008 Chen
 2012/0253476 A1 10/2012 Cheng et al.

FOREIGN PATENT DOCUMENTS

EP 1849439 10/2007
 GB 1418496 12/1975
 WO WO 2009/145753 12/2009
 WO WO 2011/123119 10/2011
 WO WO 2012/119156 9/2012
 WO WO 2014/120532 8/2014

* cited by examiner

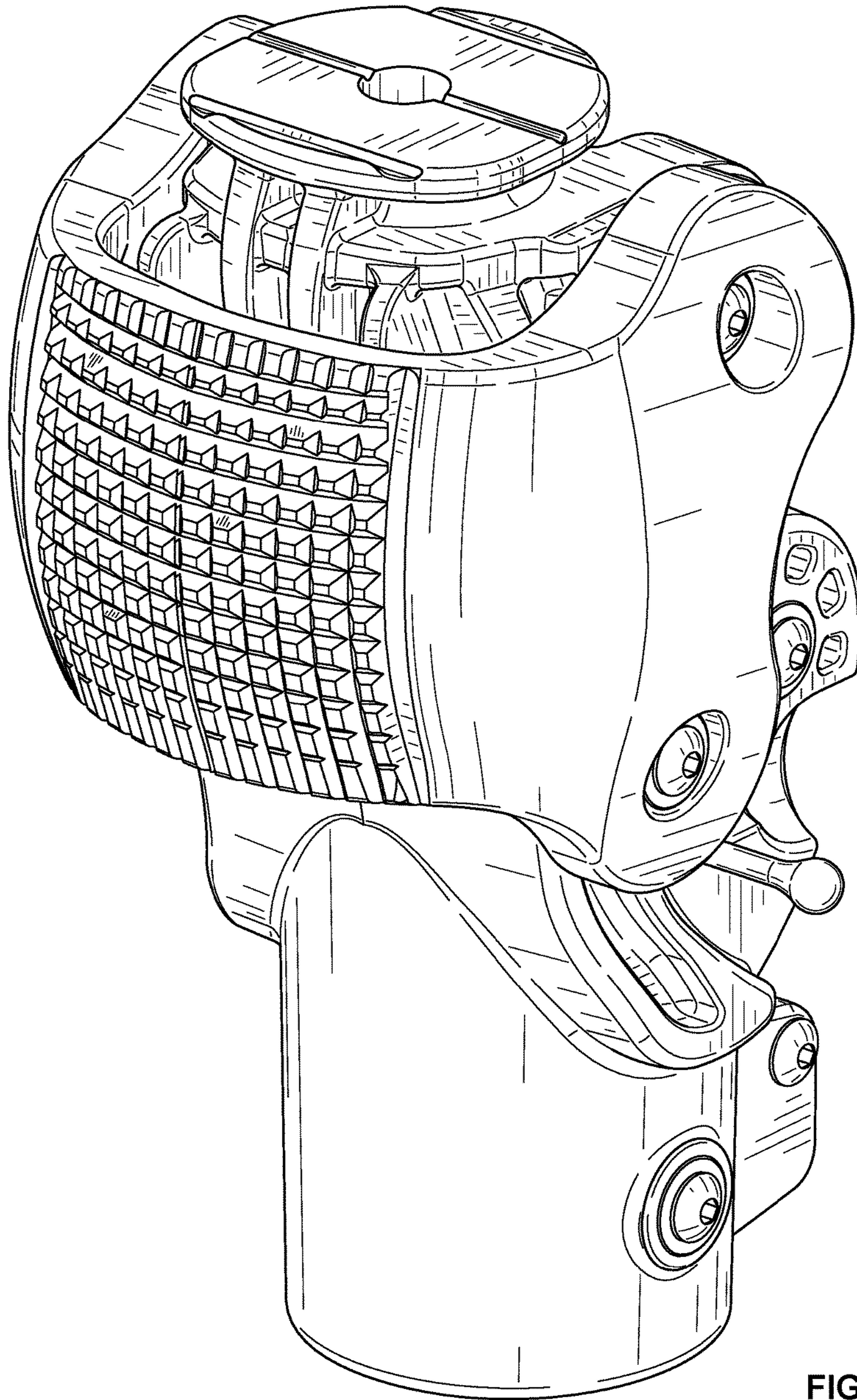


FIG. 1

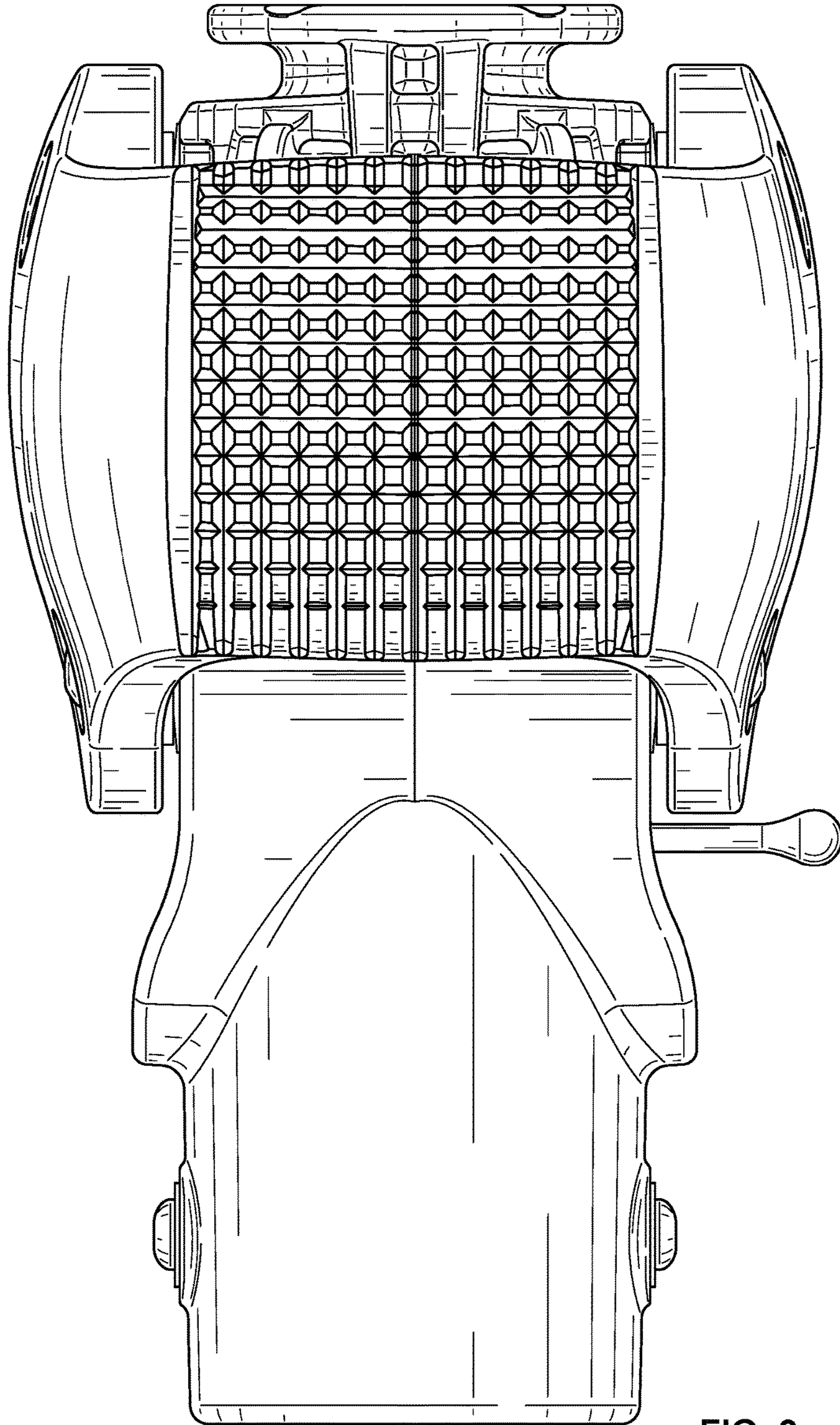


FIG. 2

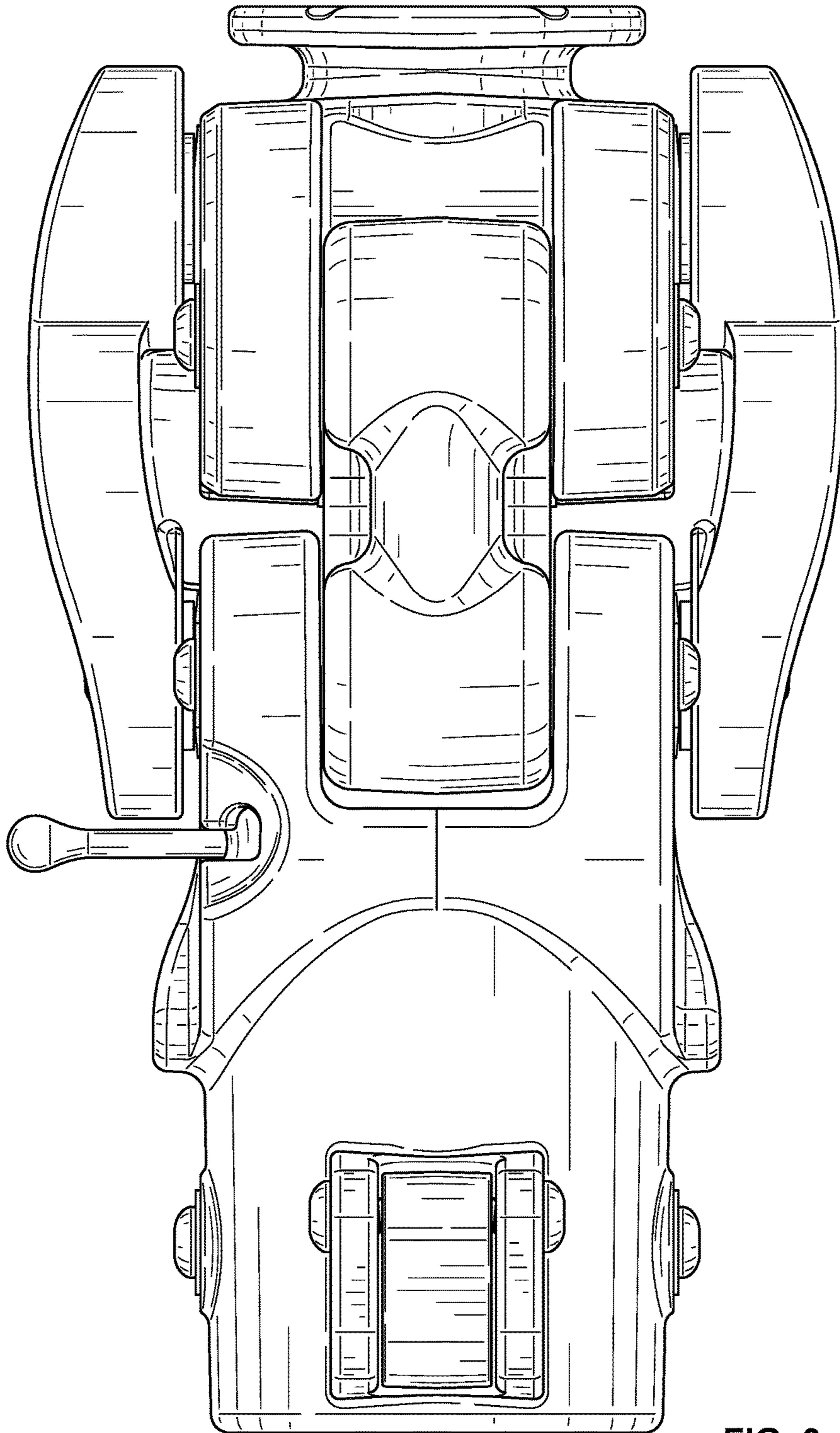


FIG. 3

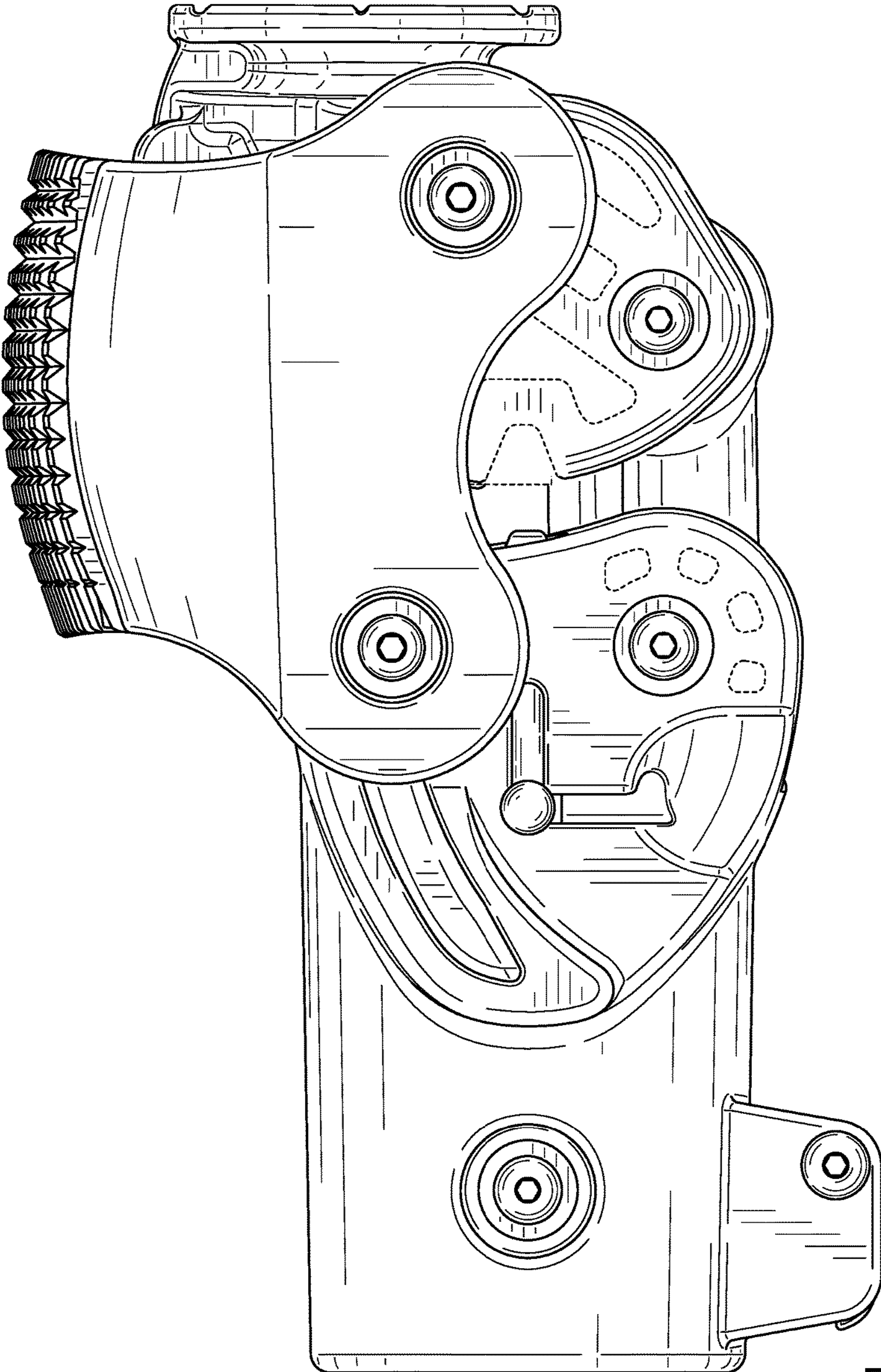


FIG. 4

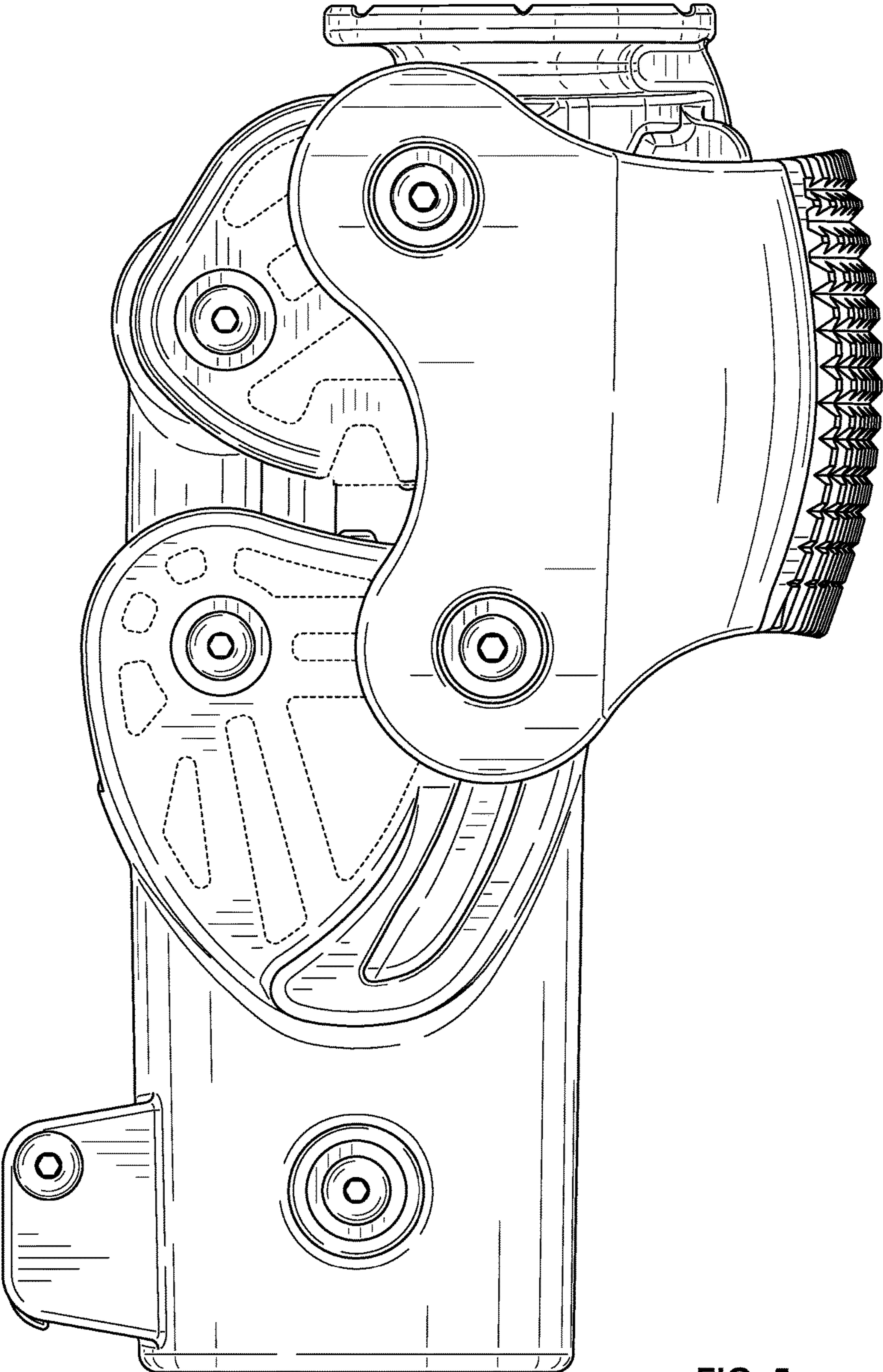


FIG. 5

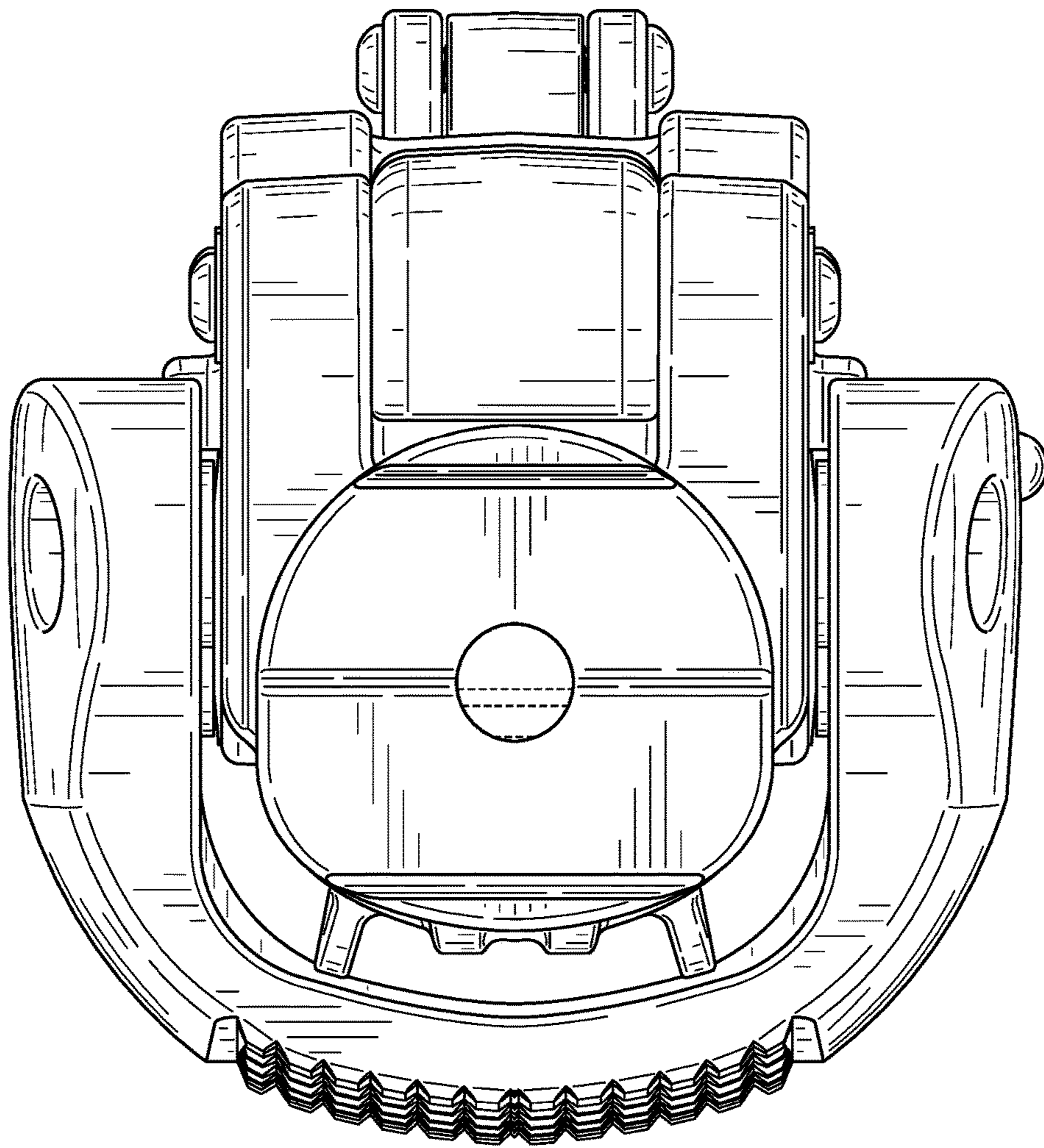


FIG. 6

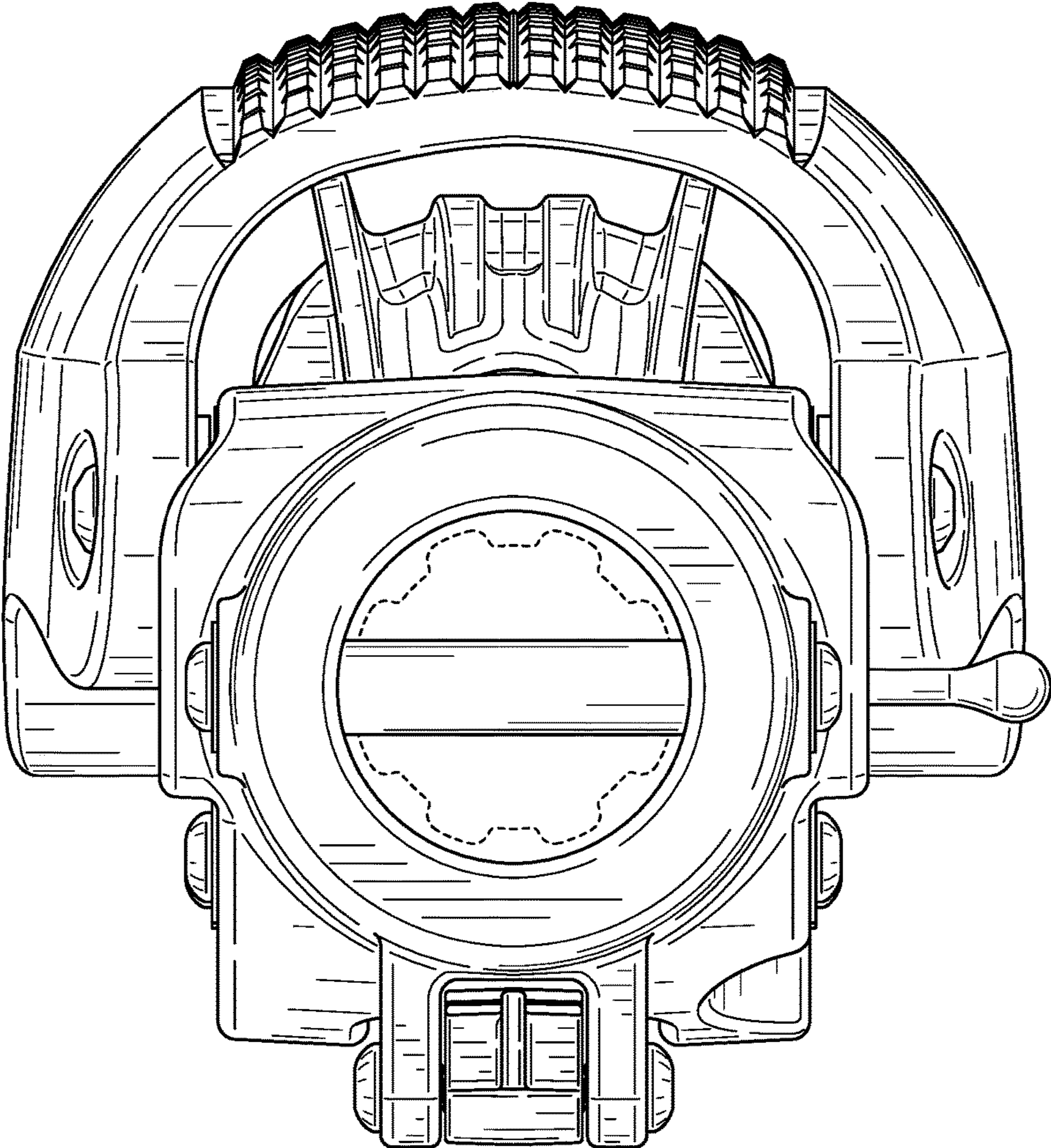


FIG. 7

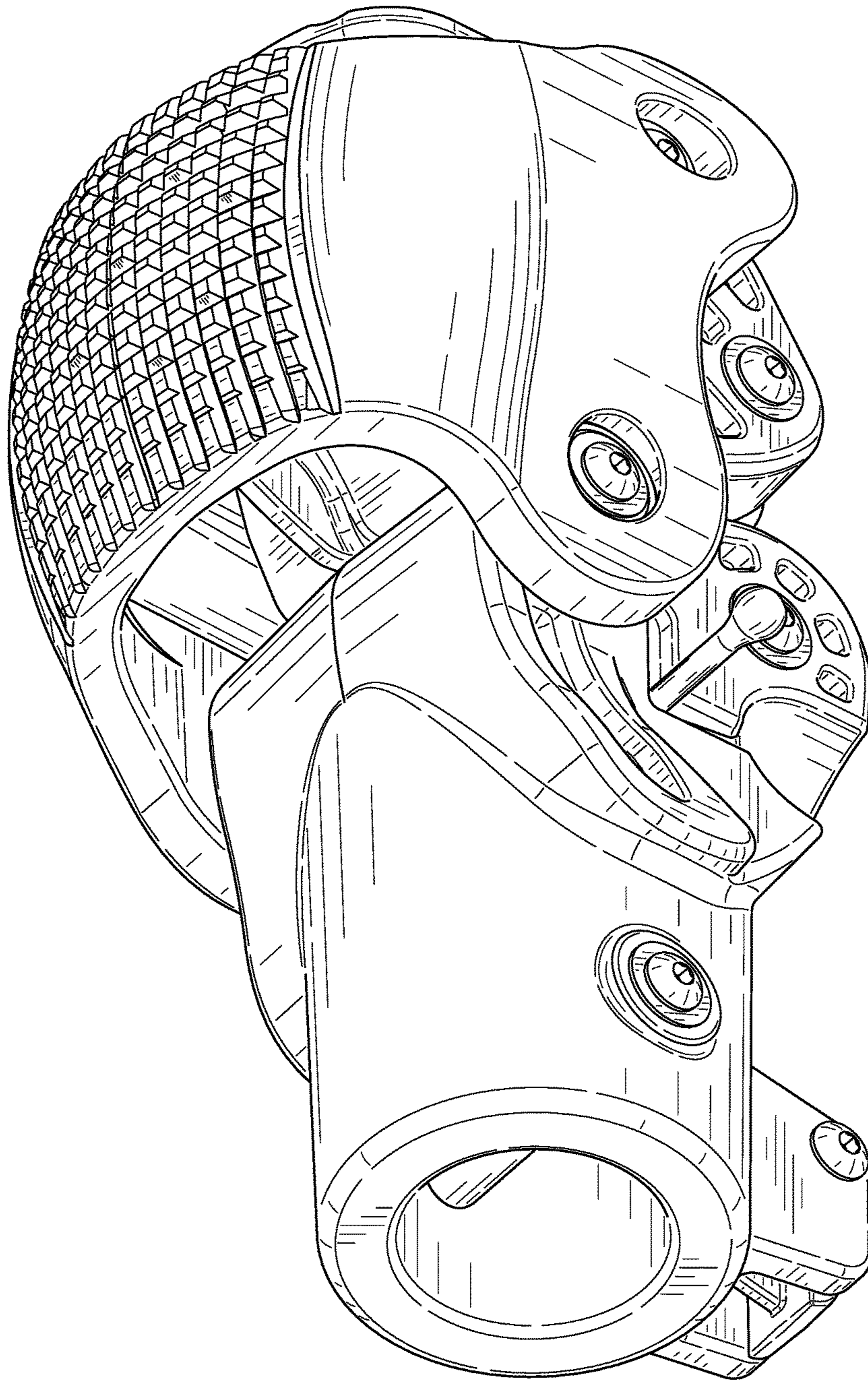


FIG. 8