



US00D785174S

(12) **United States Design Patent** (10) **Patent No.:** **US D785,174 S**
Osada (45) **Date of Patent:** **** Apr. 25, 2017**

(54) **BODY OF A CAMERA FOR MEDICAL USE**

(71) Applicant: **OLYMPUS CORPORATION**, Tokyo (JP)

(72) Inventor: **Reisuke Osada**, Tokyo (JP)

(73) Assignee: **OLYMPUS CORPORATION**, Tokyo (JP)

(**) Term: **15 Years**

(21) Appl. No.: **29/567,374**

(22) Filed: **Jun. 8, 2016**

Related U.S. Application Data

(62) Division of application No. 29/531,120, filed on Jun. 23, 2015, now Pat. No. Des. 771,253.

(51) **LOC (10) Cl.** **24-02**

(52) **U.S. Cl.**
USPC **D24/138**; D16/219

(58) **Field of Classification Search**
USPC D24/133, 137, 138, 222, 141, 108, 111, D24/113, 127, 143, 148, 179, 216, 152, D24/153, 154, 176; D8/4, 29.1, 29.2, 30, D8/31, 39; D16/200, 206, 216, 219
CPC A61B 1/00128; A61B 1/018; A61B 17/320016; A61B 17/3423; A61B 1/00135; A61B 1/12; A61B 2017/00477; A61B 2017/347; A61B 17/00234; A61B 17/00491; A61B 1/00066; A61B 1/00133; A61B 1/00147

See application file for complete search history.

(56) **References Cited**

U.S. PATENT DOCUMENTS

D501,864 S * 2/2005 Greise D16/202
D523,455 S * 6/2006 Greise D16/202

D587,804 S * 3/2009 Ruiz D16/202
D607,032 S * 12/2009 Halleck D16/202
D643,534 S * 8/2011 Halleck D16/202
D651,312 S * 12/2011 Halleck D16/202
D709,192 S * 7/2014 Czapalla D24/138
D768,854 S * 10/2016 Halleck D24/138
D771,252 S * 11/2016 Osada D24/138
D771,253 S * 11/2016 Osada D24/138

* cited by examiner

Primary Examiner — Robert M Spear

Assistant Examiner — Eliza Bennett-Hattan

(74) *Attorney, Agent, or Firm* — Scully, Scott, Murphy & Presser, PC

(57) **CLAIM**

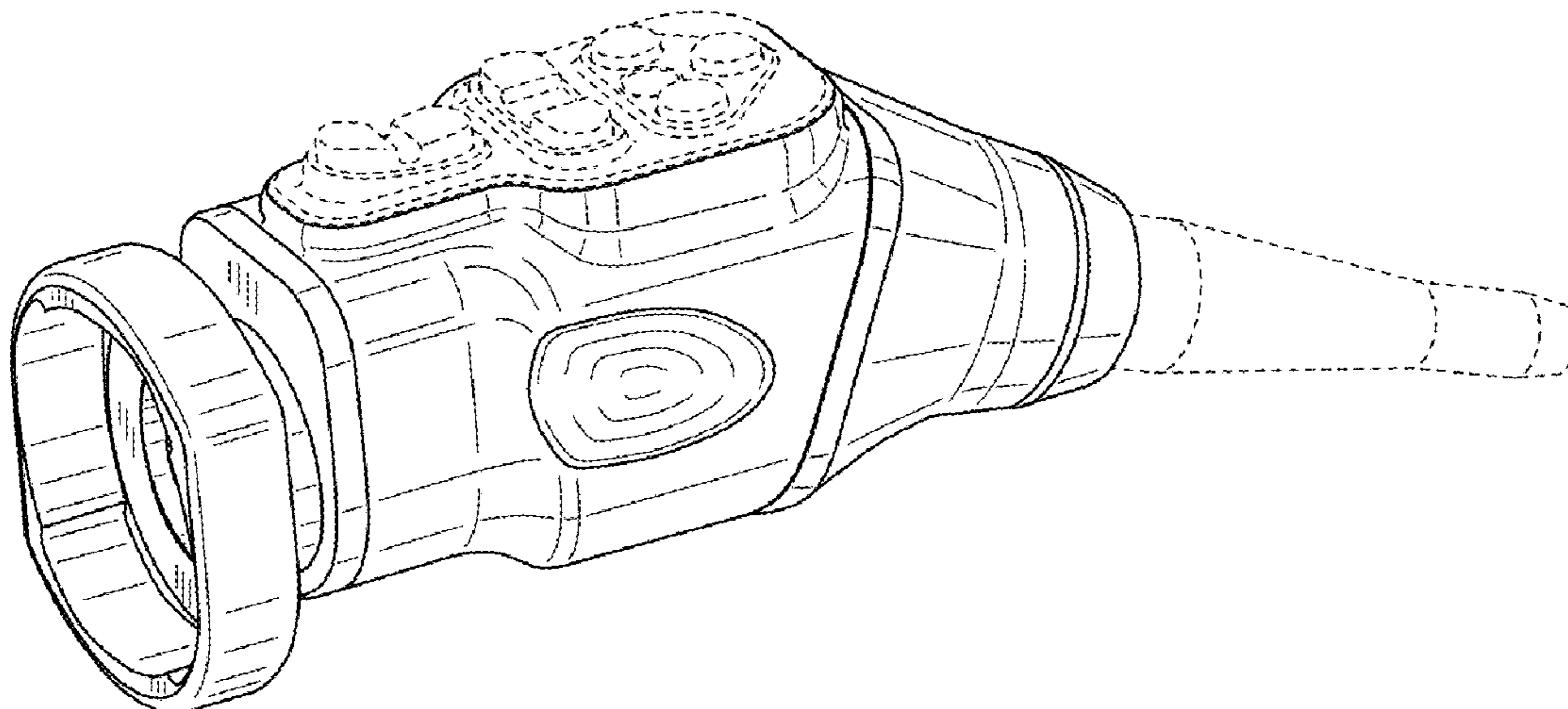
The ornamental design for a body of a camera for medical use, as shown and described.

DESCRIPTION

FIG. 1 is a perspective view of a body of a camera for medical use, showing my new design;
FIG. 2 is a front view thereof;
FIG. 3 is a rear view thereof;
FIG. 4 is a top view thereof;
FIG. 5 is a bottom view thereof;
FIG. 6 is a left side view thereof;
FIG. 7 is a right side view thereof;
FIG. 8 is an enlarged end view thereof, taken along line 8-8 in FIG. 4 with its internal mechanisms omitted;
FIG. 9 is an enlarged view of a portion 9 of FIG. 2; and,
FIG. 10 is an end view taken along lines 10-10 of FIG. 9 with its internal mechanisms omitted, to better illustrate the contour thereof.

The evenly segmented broken lines indicate portions of the article that from no part of the claimed design. The dash dot dash broken lines indicate cutoff boundaries for enlarged detailed portion views.

1 Claim, 4 Drawing Sheets



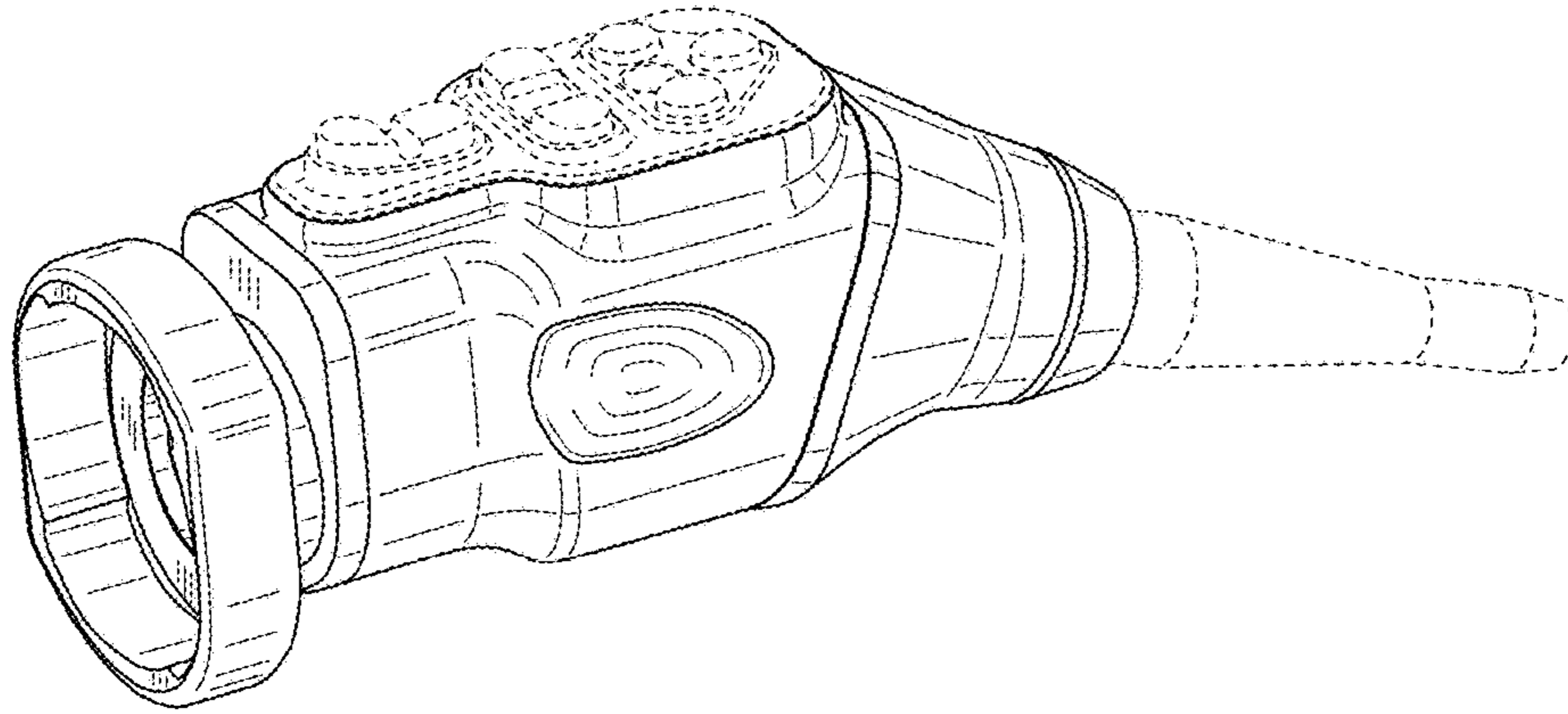


Fig. 1

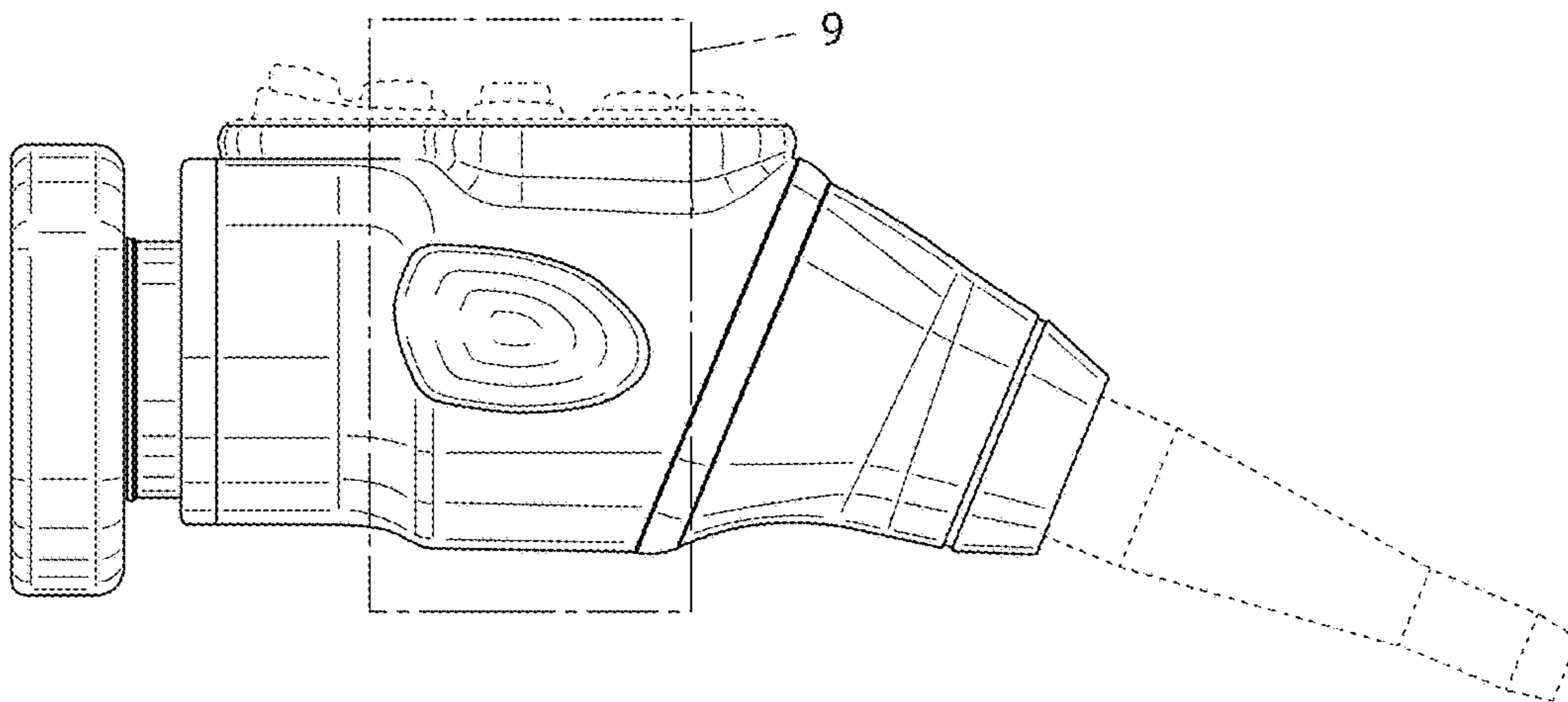


Fig. 2

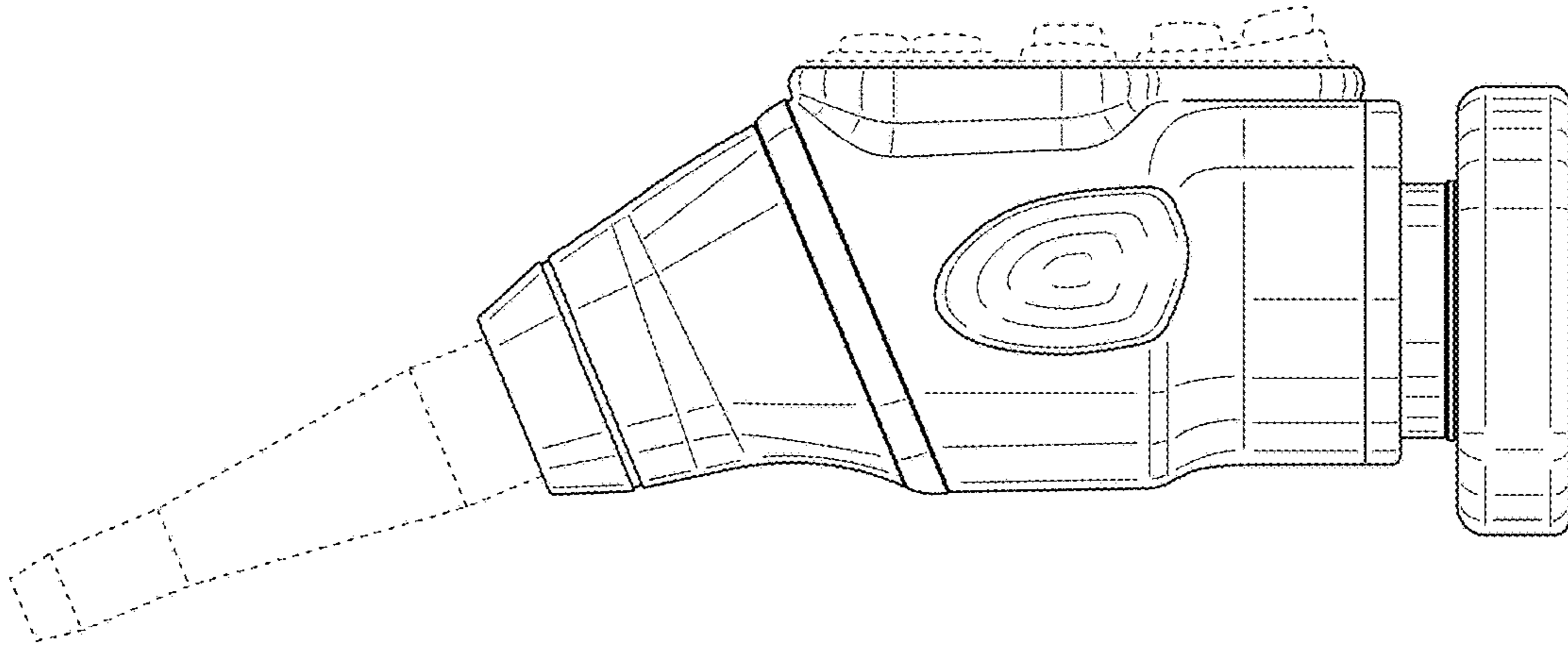


Fig.3

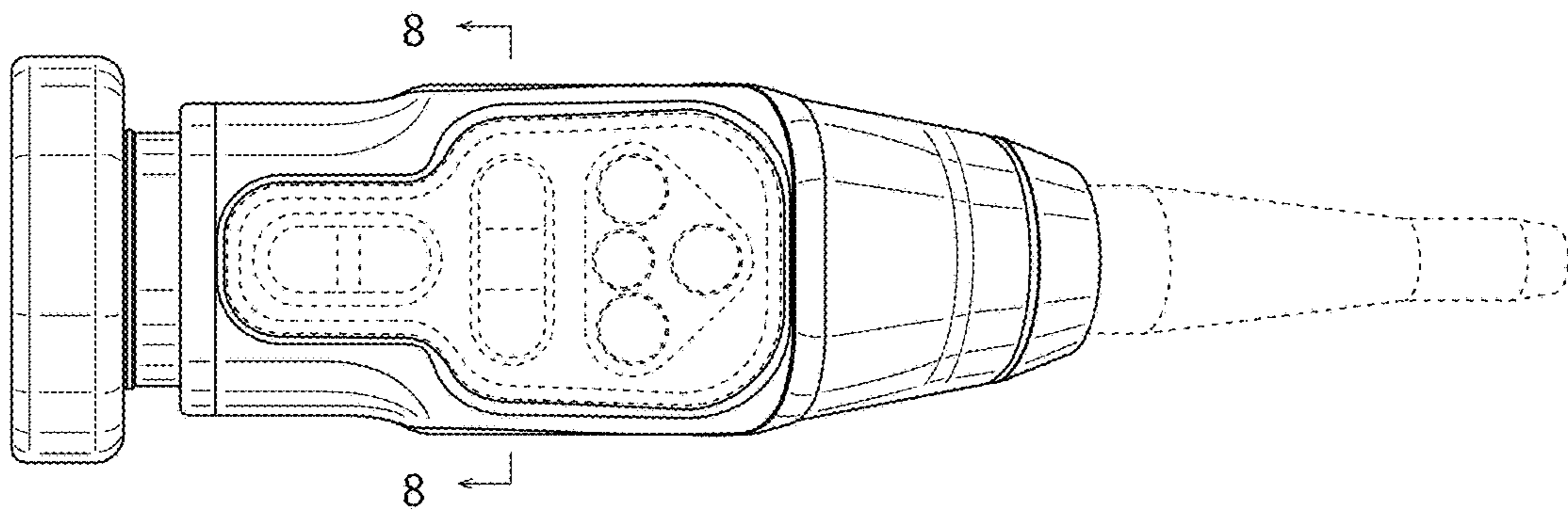


Fig.4

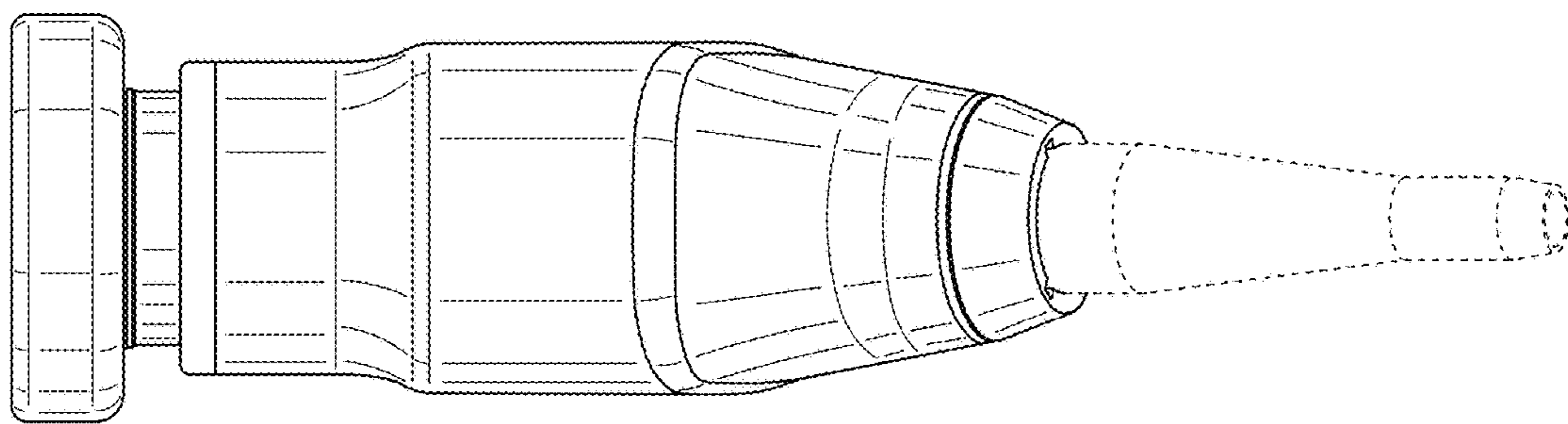


Fig.5

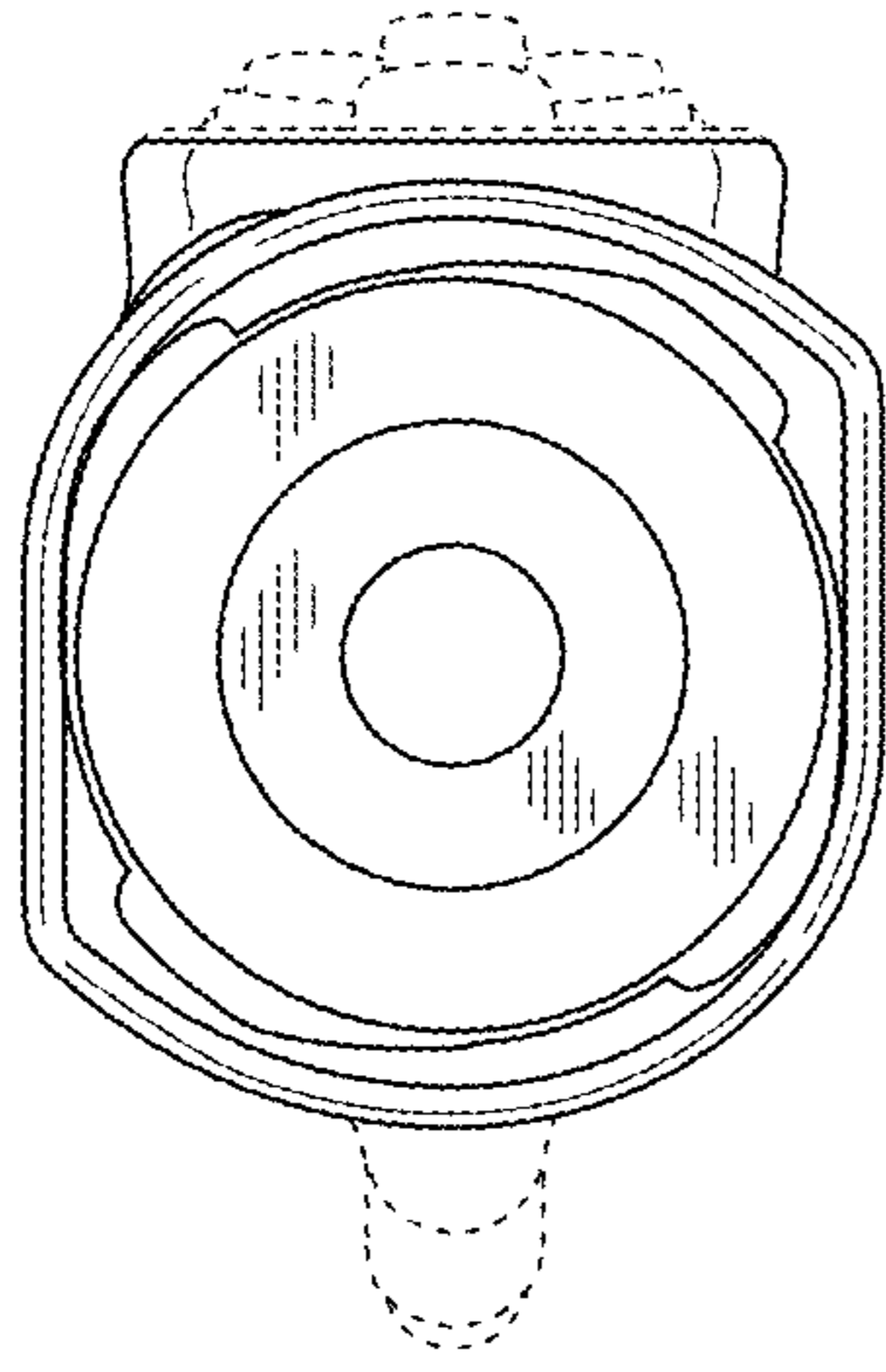


Fig. 6

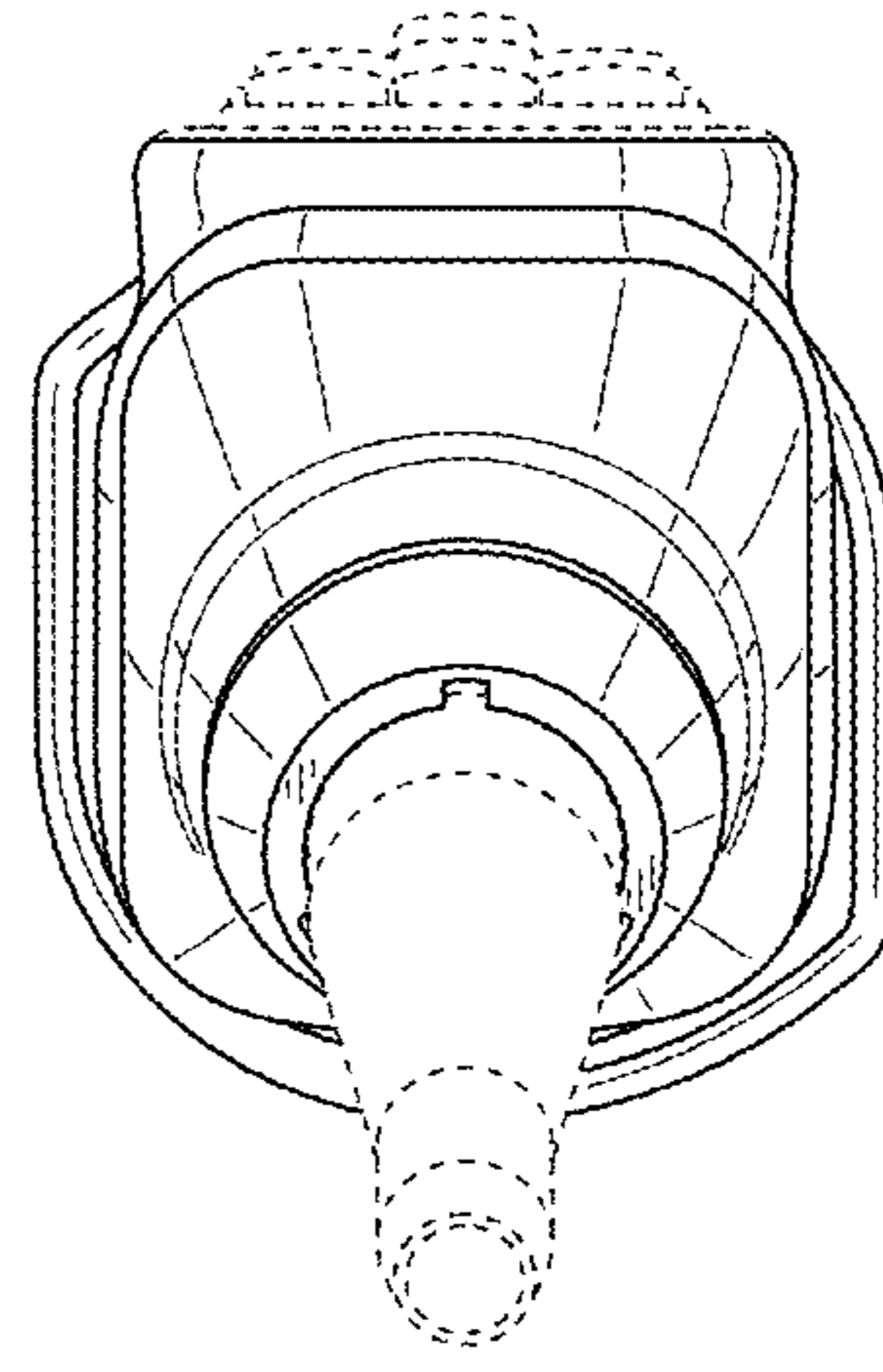


Fig. 7

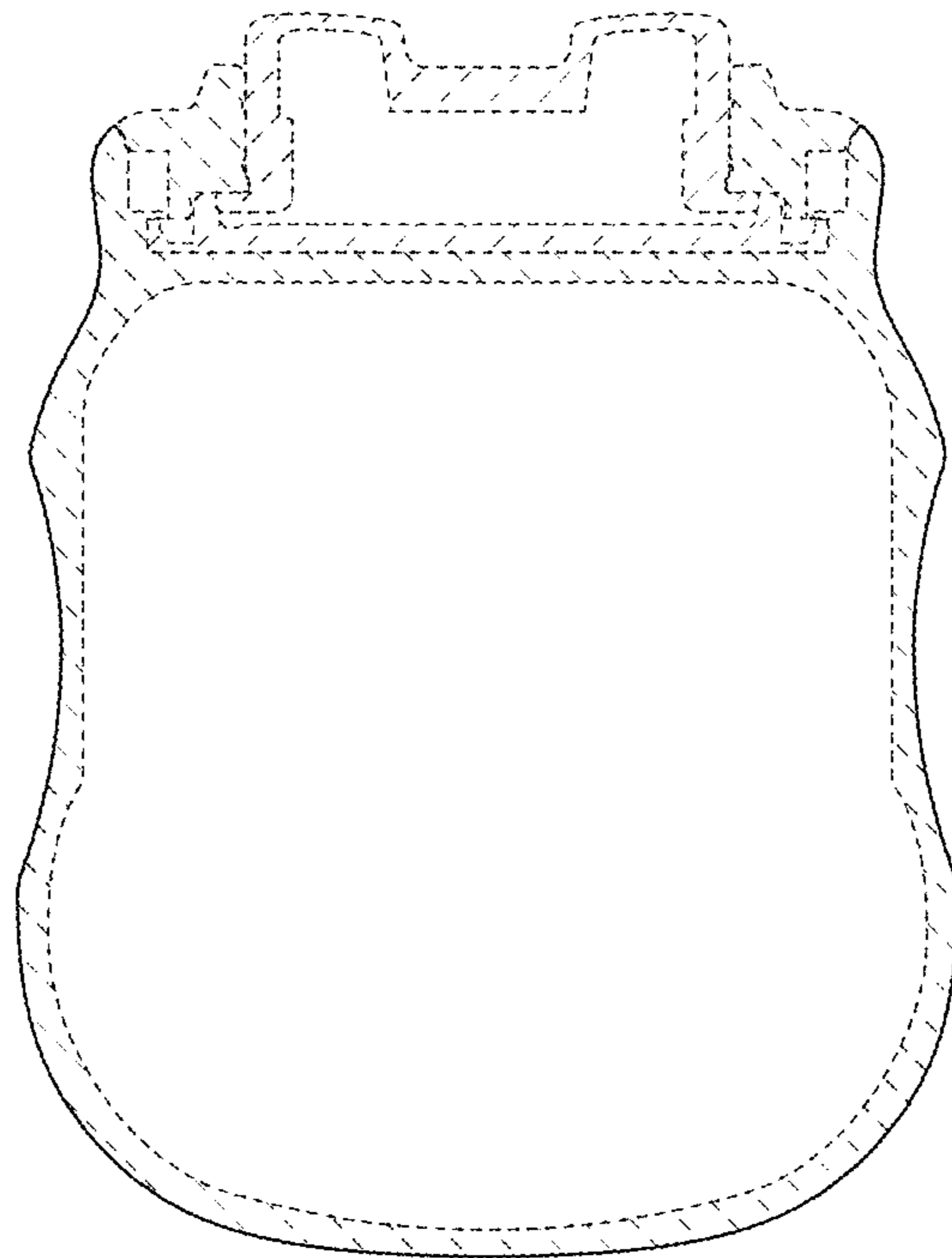


Fig. 8

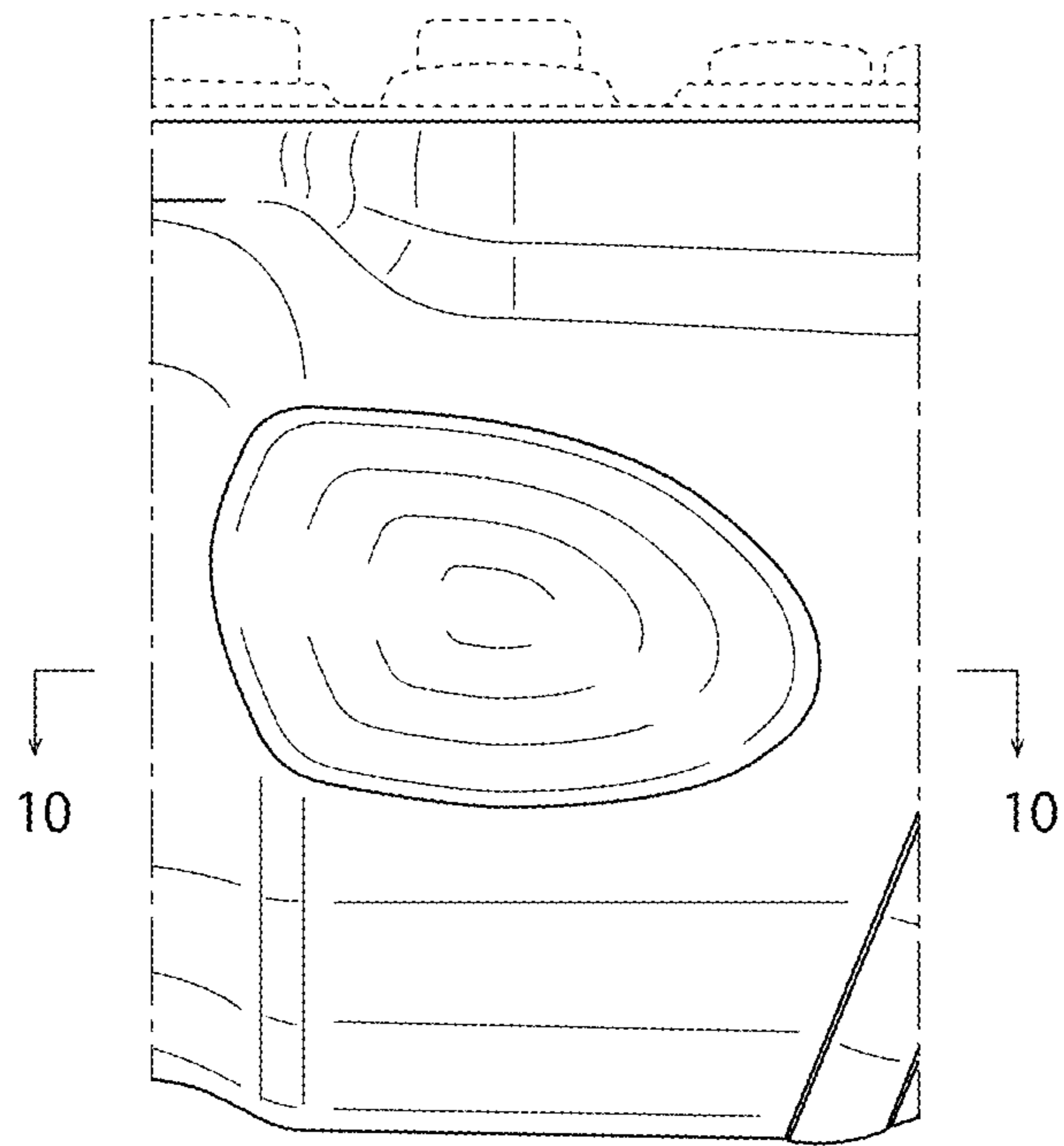


Fig. 9

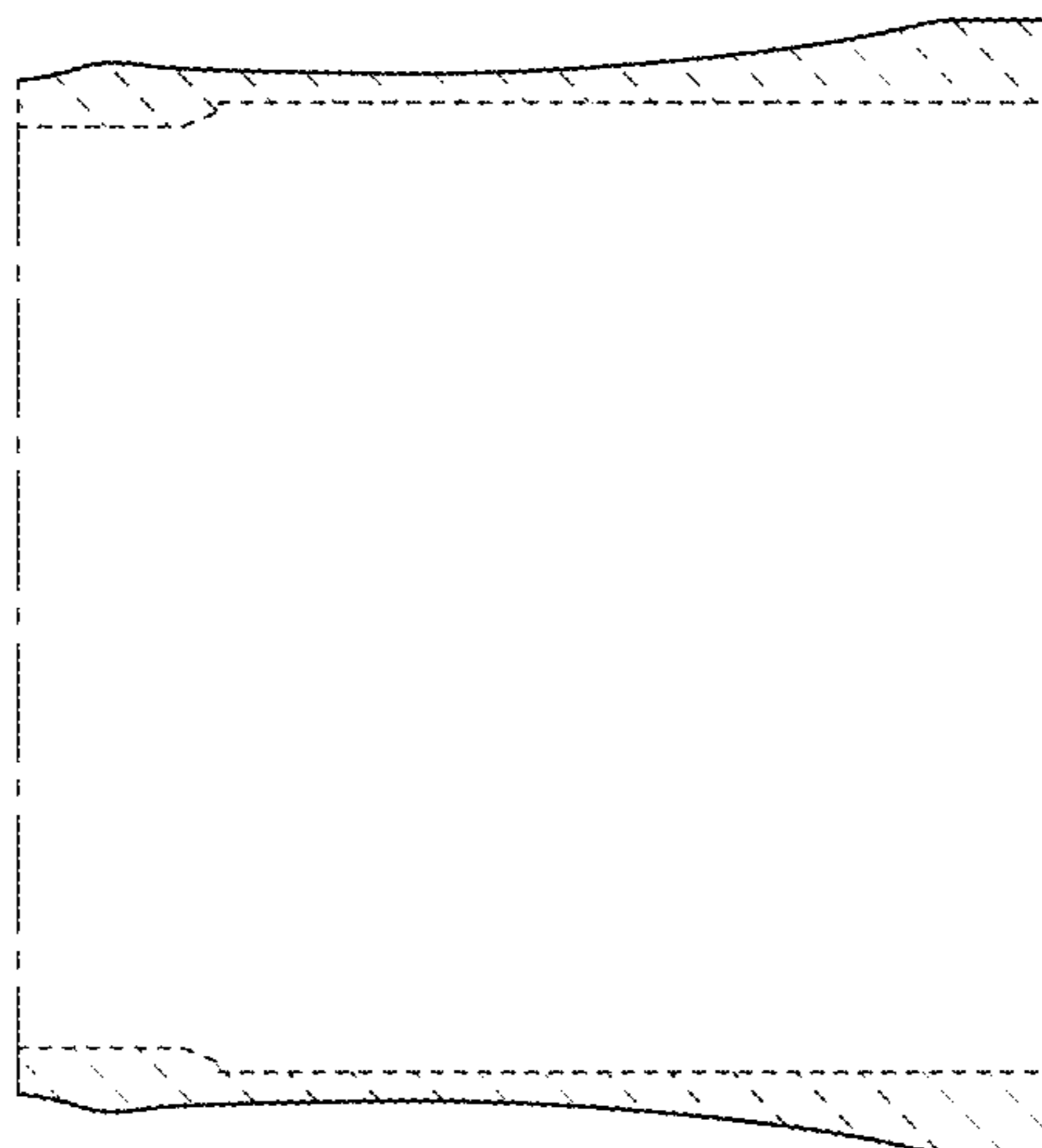


Fig. 10

UNITED STATES PATENT AND TRADEMARK OFFICE
CERTIFICATE OF CORRECTION

PATENT NO. : D785,174 S
APPLICATION NO. : 29/567374
DATED : April 25, 2017
INVENTOR(S) : Reisuke Osada

Page 1 of 1

It is certified that error appears in the above-identified patent and that said Letters Patent is hereby corrected as shown below:

On the Title Page

Insert:

--(30) December 25, 2014 (JP)..... 2014-028972
December 25, 2014 (JP)..... 2014-028973--

Signed and Sealed this
First Day of August, 2017



Joseph Matal
*Performing the Functions and Duties of the
Under Secretary of Commerce for Intellectual Property and
Director of the United States Patent and Trademark Office*