



US00D785172S

(12) **United States Design Patent** (10) **Patent No.:** **US D785,172 S**
Li (45) **Date of Patent:** **** Apr. 25, 2017**

(54) **HANDLE FOR ENDOSCOPIC SURGICAL CLIP APPLIER**

(71) Applicant: **Getac Technology Corporation,**
Hsinchu County (TW)

(72) Inventor: **Chun-Hsing Li,** Taipei (TW)

(73) Assignee: **GETAC TECHNOLOGY CORPORATION,** Hsinchu County (TW)

(**) Term: **14 Years**

(21) Appl. No.: **29/517,015**

(22) Filed: **Feb. 9, 2015**

(51) **LOC (10) Cl.** **24-02**

(52) **U.S. Cl.**
USPC **D24/138**

(58) **Field of Classification Search**
USPC D24/138, 133, 135, 137, 140, 143, 144, D24/145, 146, 147, 148, 149, 153, 154, D24/564; D8/51, 57, 107; 604/22, 27, 604/104, 153, 154, 564; 606/1, 80, 85, 606/130, 139, 148, 167, 170, 171, 174, 606/175, 176, 180, 205, 206
CPC ... A61B 1/00; A61B 1/00064; A61B 1/00066; A61B 1/0669

See application file for complete search history.

(56) **References Cited**

U.S. PATENT DOCUMENTS

5,603,723 A * 2/1997 Aranyi A61B 17/29 606/174
D624,646 S * 9/2010 Peschke D24/133
D654,587 S * 2/2012 Bacher D24/133
D661,797 S * 6/2012 Besse D24/133
D666,714 S * 9/2012 Baehr D24/133
D692,560 S * 10/2013 Kaercher D24/133
D717,949 S * 11/2014 Peschke D24/133

2006/0004406 A1* 1/2006 Wehrstein A61B 17/28 606/205
2006/0079934 A1* 4/2006 Ogawa A61B 17/29 606/205
2012/0083814 A1* 4/2012 Kessler A61B 17/3201 606/170

OTHER PUBLICATIONS

Shenji Technology Co Ltd, Endoscopic surgical clip applier handle, retrieved on Apr. 27, 2016, 1/1-© Questel, URL:www.orbit.com.*

* cited by examiner

Primary Examiner — Wan Laymon

Assistant Examiner — Mark Booker

(74) *Attorney, Agent, or Firm* — Locke Lord LLP; Tim Tinkang Xia, Esq.

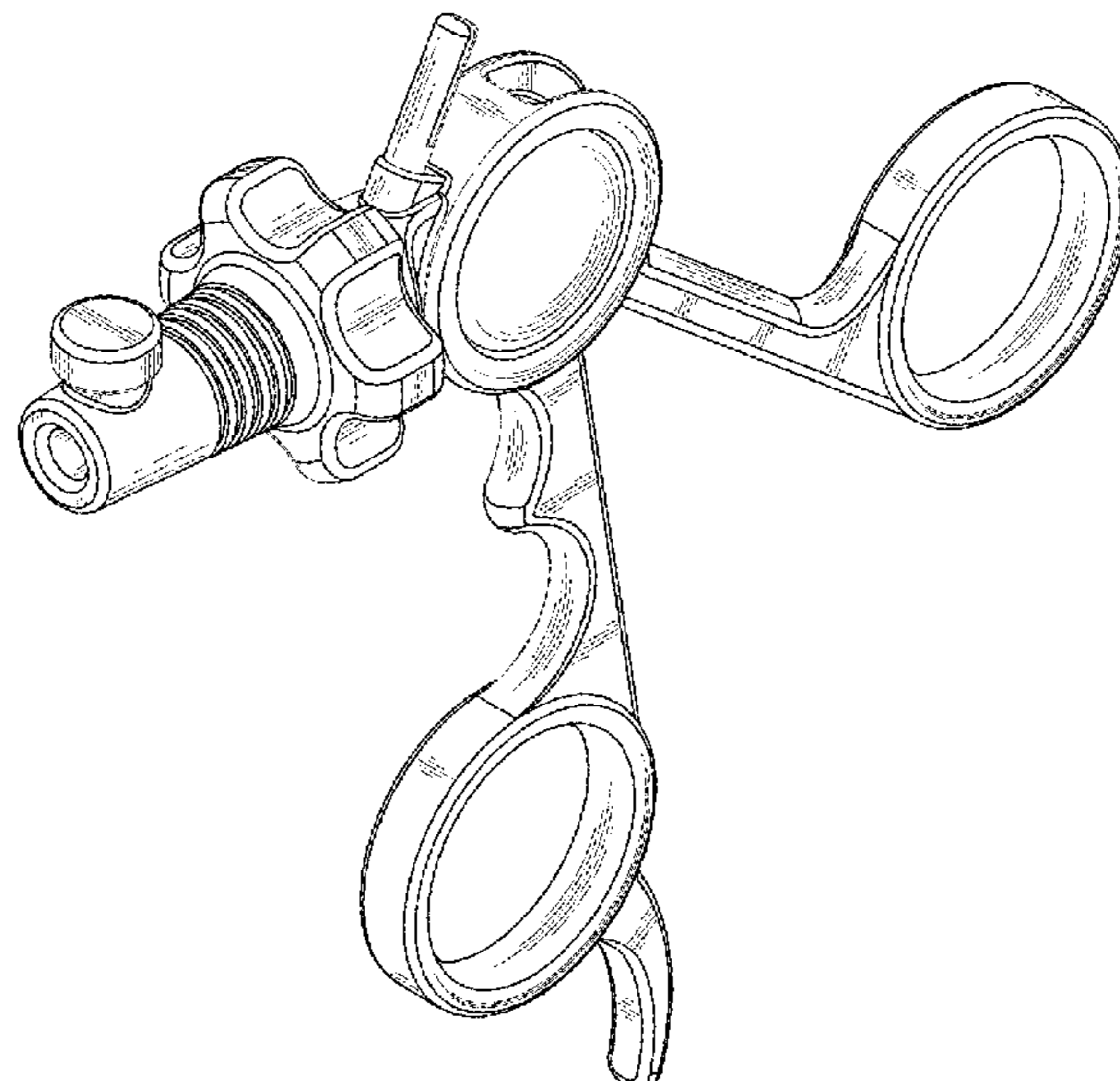
(57) **CLAIM**

The ornamental design for a handle for endoscopic surgical clip applier, as shown and described.

DESCRIPTION

FIG. 1 is a top front left perspective view of my new design; FIG. 2 is a top rear left perspective view of my new design; FIG. 3 is a bottom front right perspective view of my new design; FIG. 4 is a bottom rear right perspective view of my new design; FIG. 5 is a front view of my new design; FIG. 6 is a rear view of my new design; FIG. 7 is a left side view of my new design; FIG. 8 is a right side view of my new design; FIG. 9 is a top view of my new design; FIG. 10 is a bottom view of my new design; and, FIG. 11 is a top front left perspective view of my new design installed on a clip applier.

1 Claim, 9 Drawing Sheets



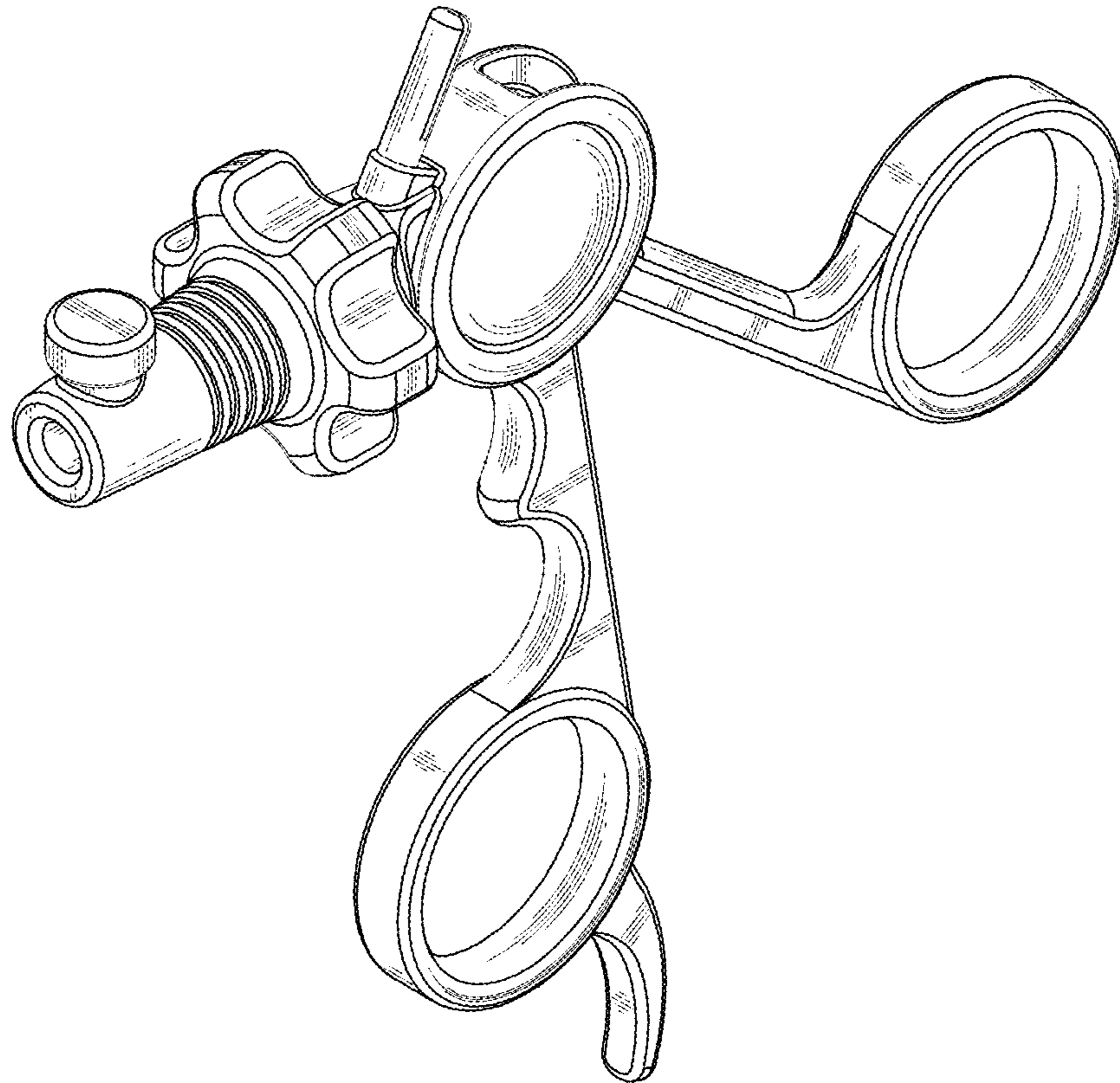


FIG.1

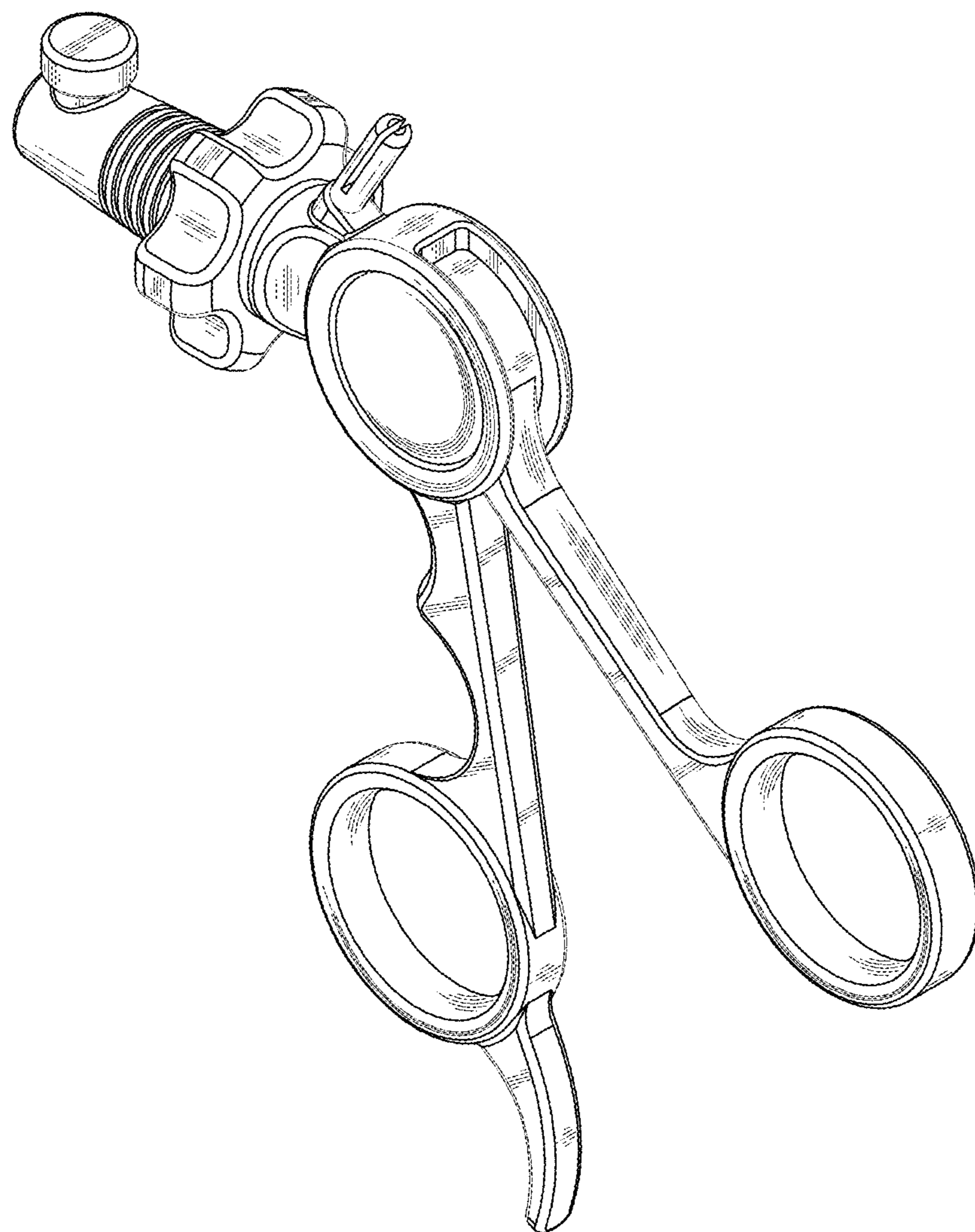


FIG.2

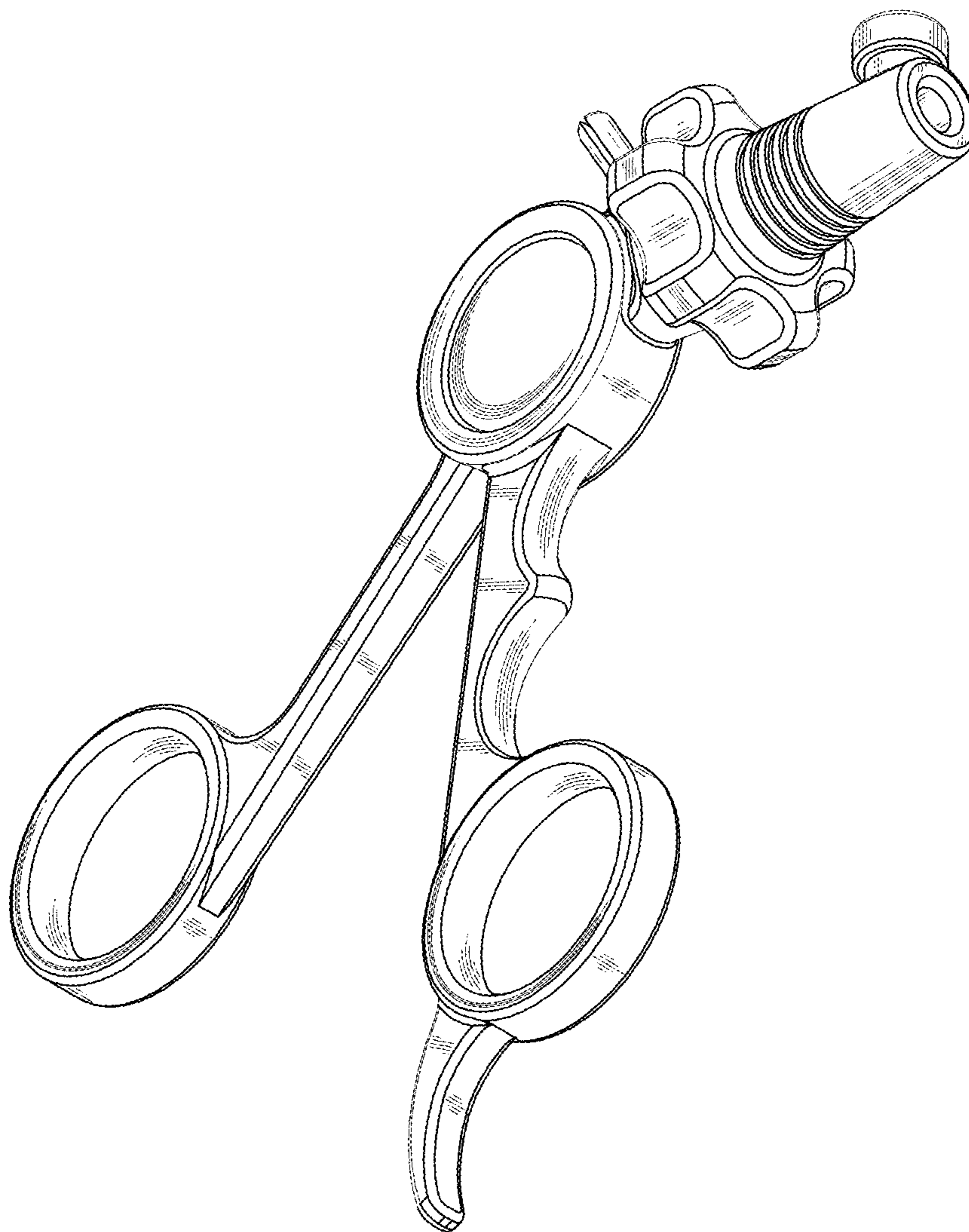


FIG.3

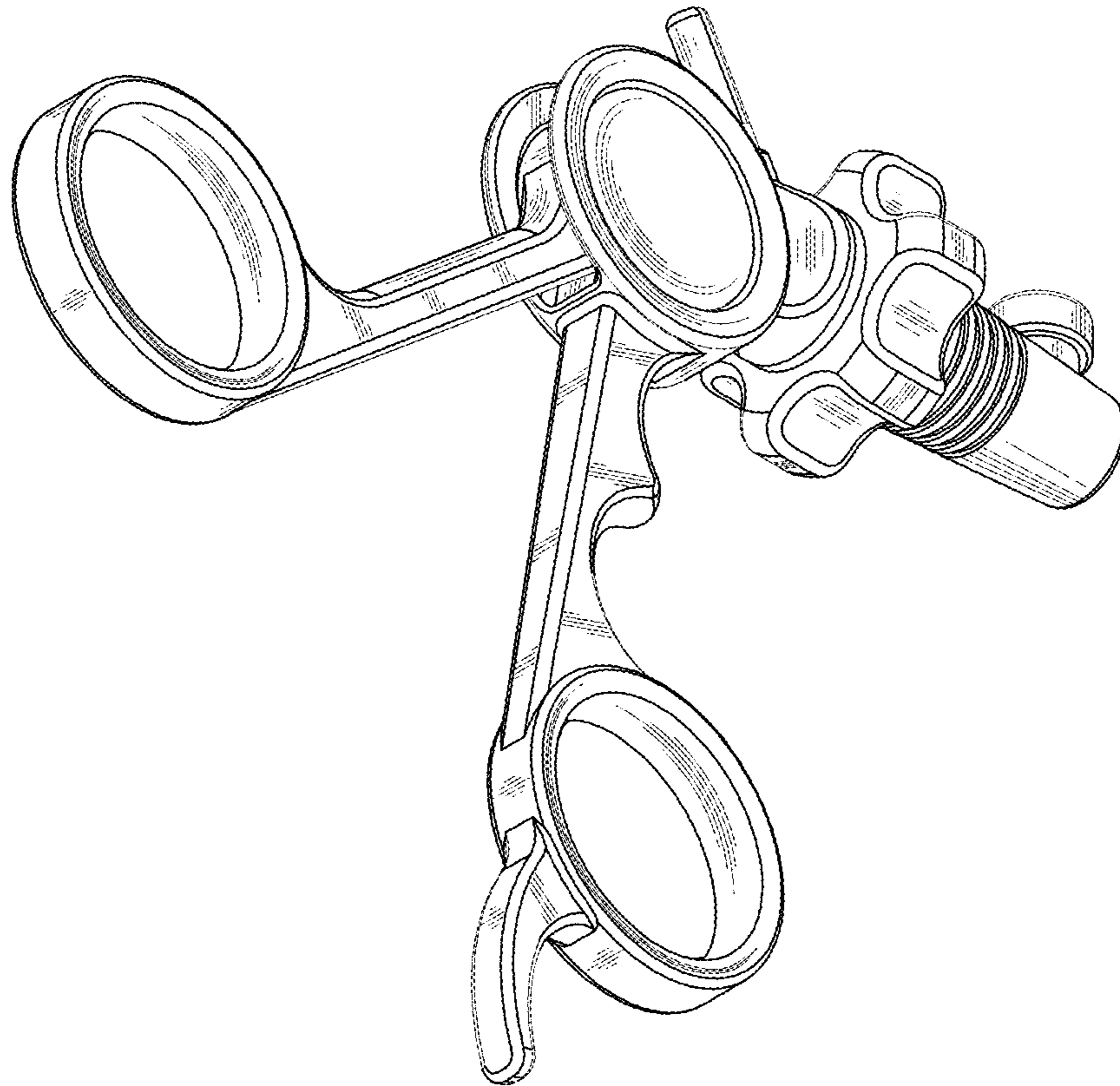


FIG.4

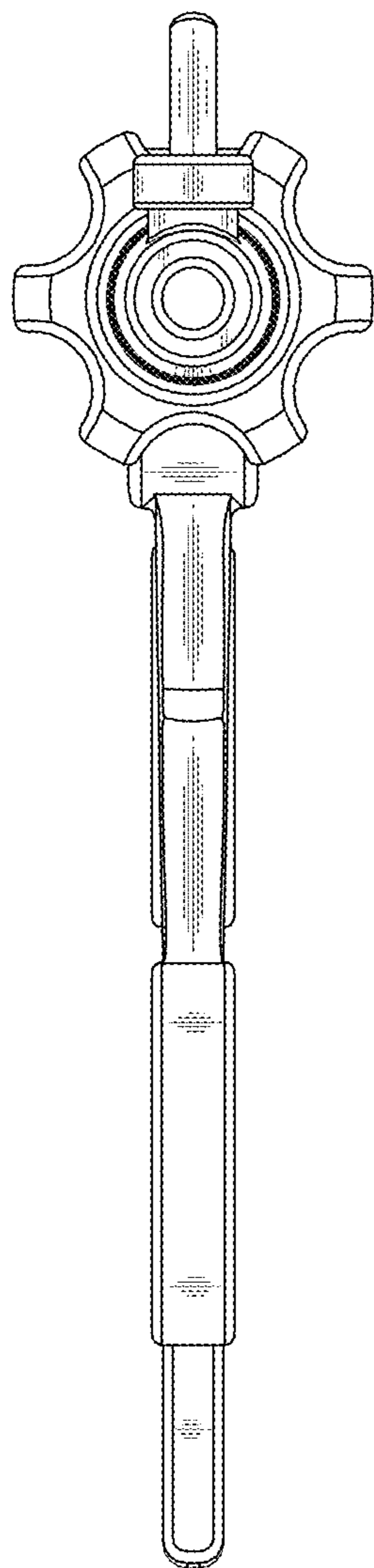


FIG.5

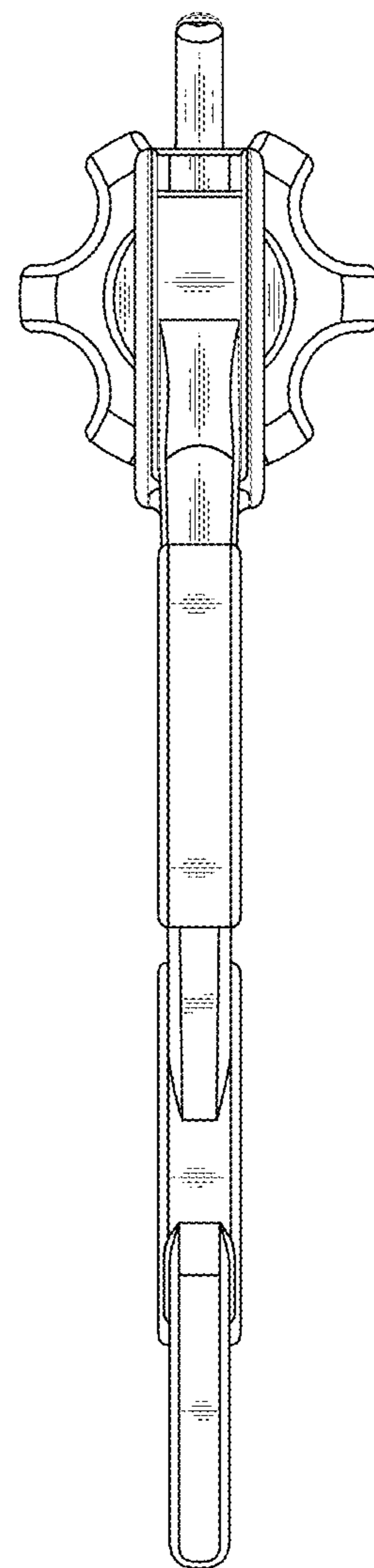


FIG.6

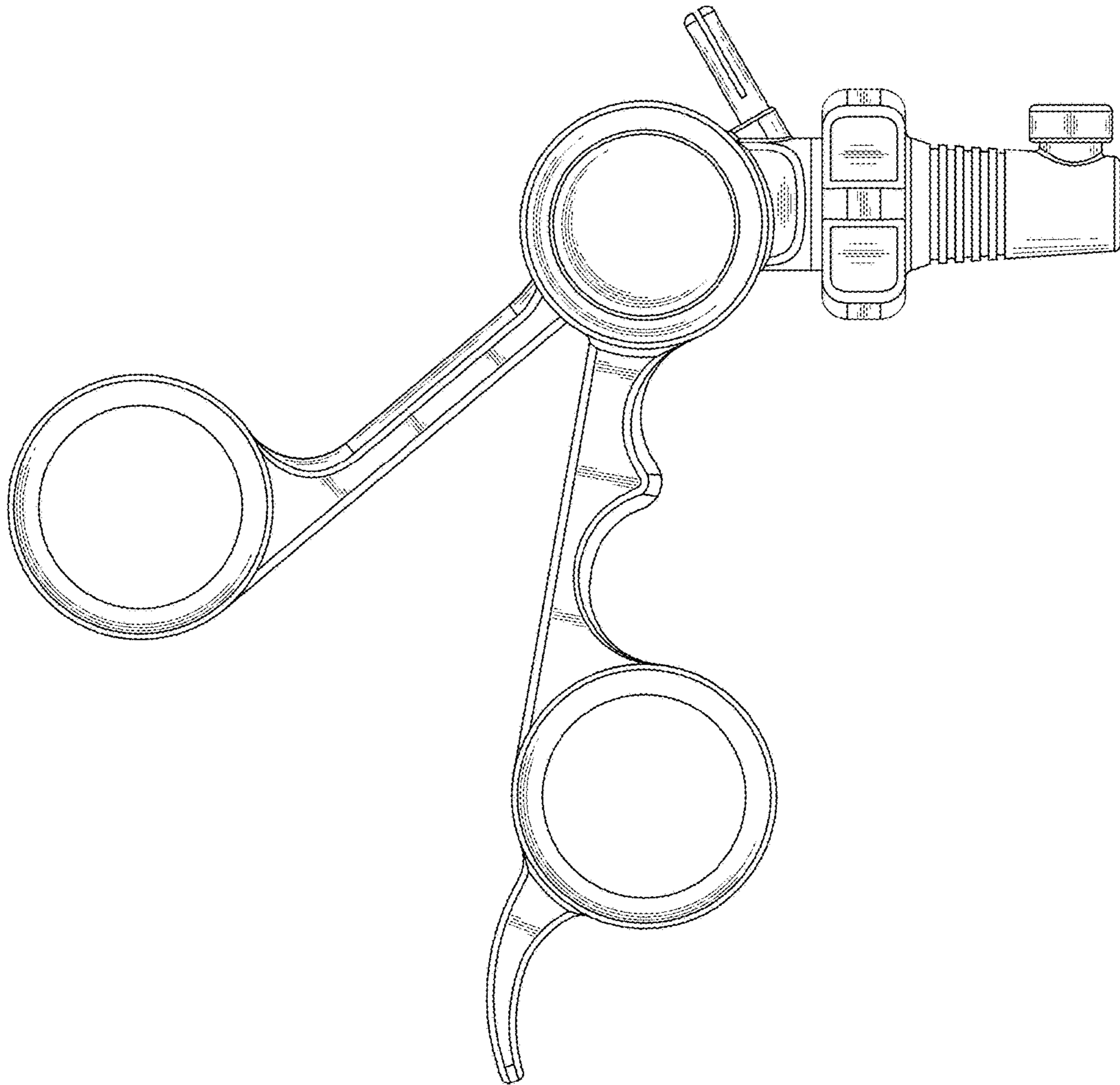


FIG. 7

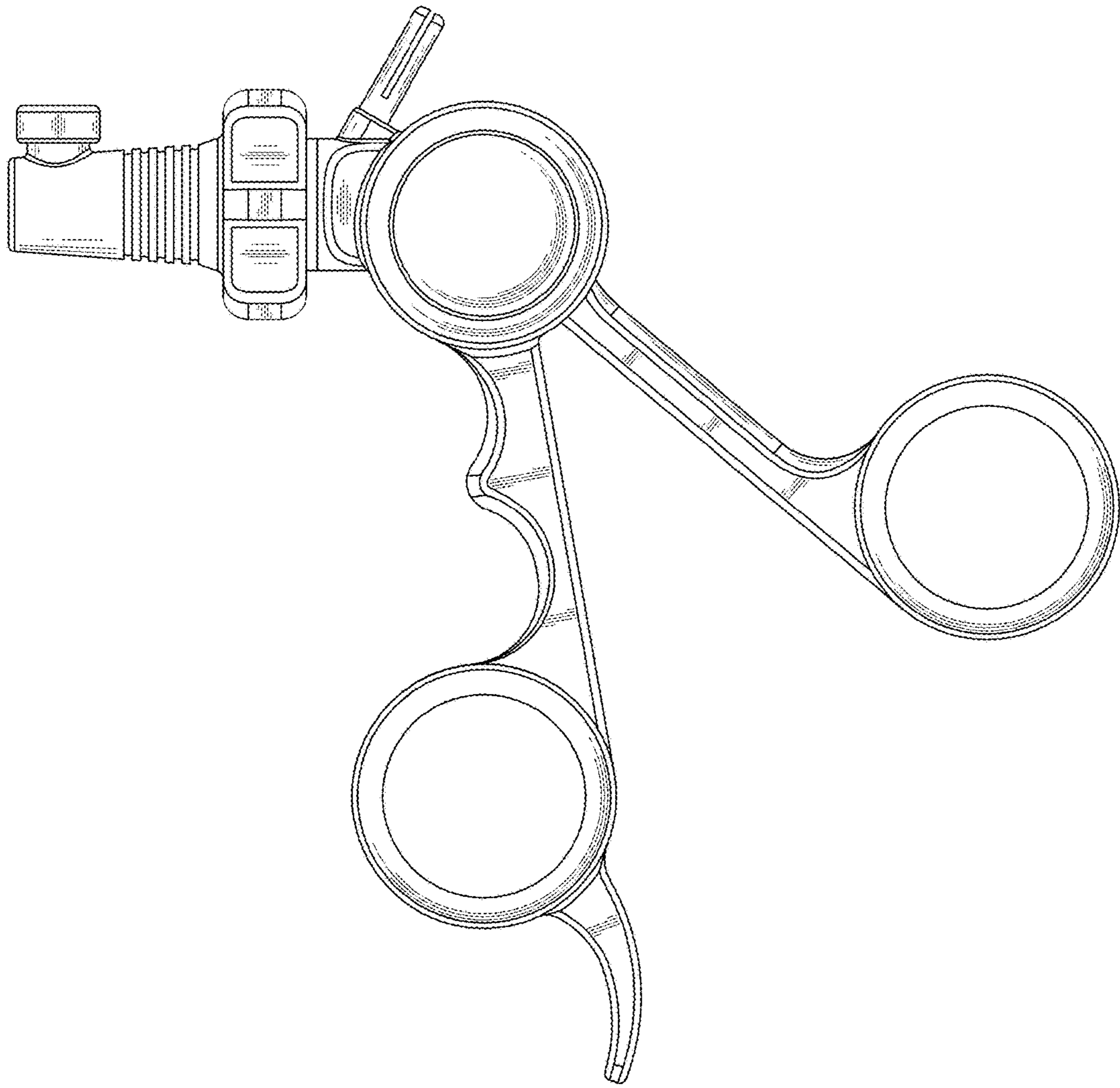


FIG.8

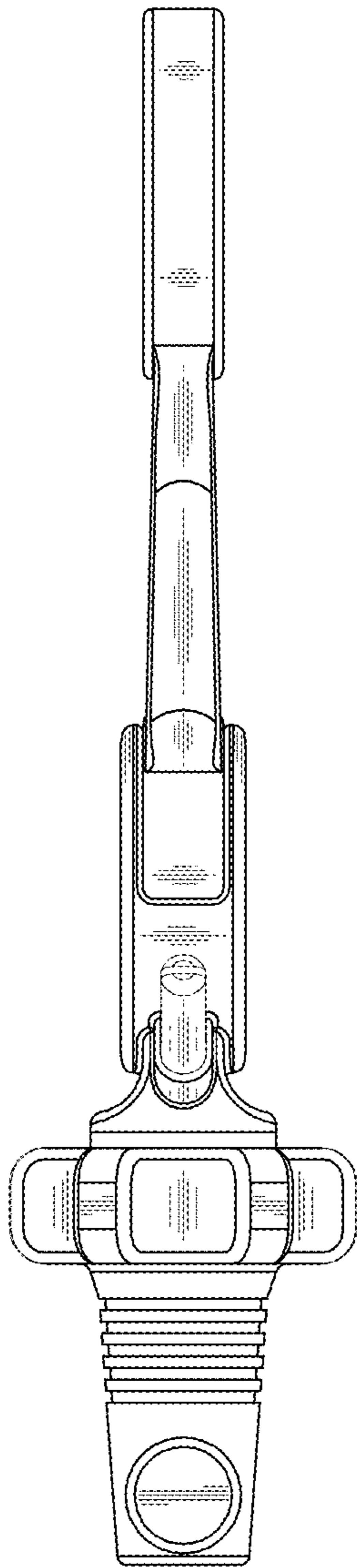


FIG. 9

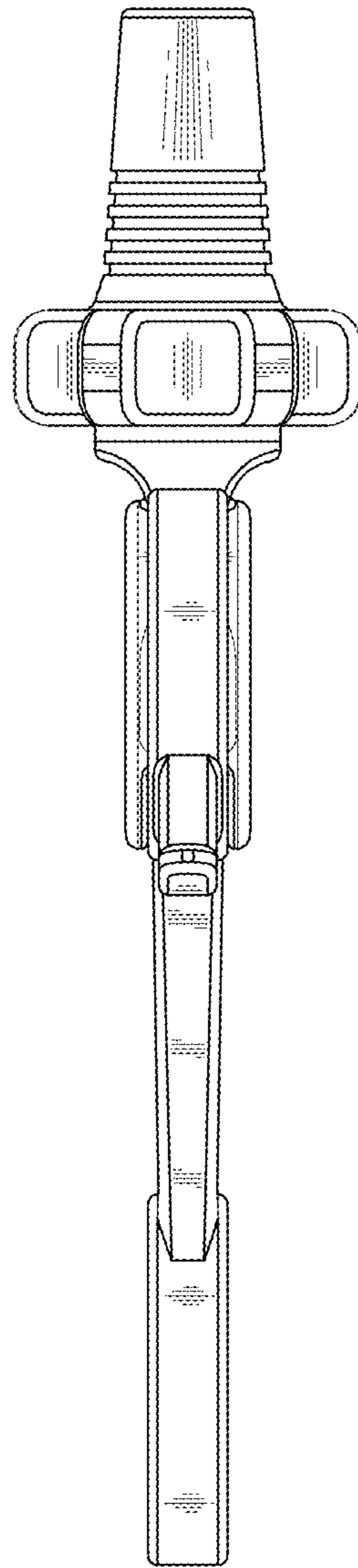


FIG. 10

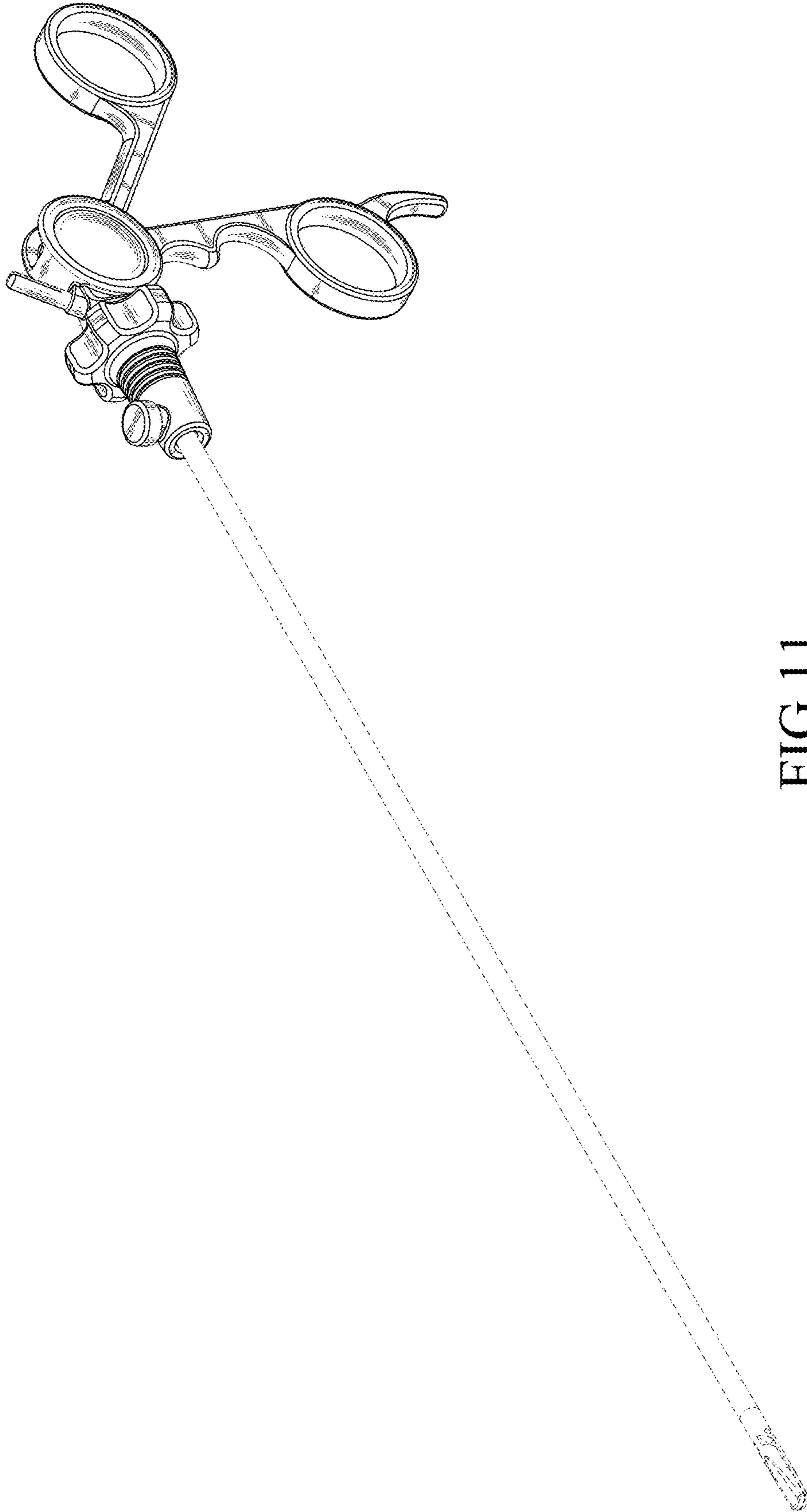


FIG.11