



US00D785169S

(12) **United States Design Patent**  
**Matsutori et al.**

(10) **Patent No.:** **US D785,169 S**

(45) **Date of Patent:** **\*\* Apr. 25, 2017**

(54) **NURSING PAD**

(71) Applicant: **Pigeon Corporation**, Tokyo (JP)

(72) Inventors: **Koji Matsutori**, Bangkok (TH);  
**Hidekazu Okuno**, Bangkok (TH)

(73) Assignee: **PIGEON CORPORATION**, Tokyo (JP)

(\*\*) Term: **15 Years**

(21) Appl. No.: **29/542,673**

(22) Filed: **Oct. 16, 2015**

(51) **LOC (10) Cl.** ..... **24-04**

(52) **U.S. Cl.**  
USPC ..... **D24/124**

(58) **Field of Classification Search**  
USPC ..... D24/119, 124, 125, 166, 178, 181, 206,  
D24/216, 217; D2/706, 711; 623/7, 8;  
428/411.1  
See application file for complete search history.

(56) **References Cited**

**U.S. PATENT DOCUMENTS**

D347,278 S	*	5/1994	Higa	.....	D24/124
D575,869 S	*	8/2008	Fujikawa	.....	D24/124
D593,678 S	*	6/2009	Sakaguchi	.....	D24/124

2007/0083180	A1*	4/2007	Sakaguchi	.....	A61F 13/141 604/385.07
2008/0161916	A1*	7/2008	Heitman	.....	A61F 2/52 623/7
2008/0200096	A1*	8/2008	Thornton	.....	A61F 13/141 450/37

\* cited by examiner

*Primary Examiner* — Garth Rademaker

*Assistant Examiner* — Samantha Q Lawrence

(74) *Attorney, Agent, or Firm* — Michael W. Ferrell

(57) **CLAIM**

The ornamental design for a nursing pad, as shown and described.

**DESCRIPTION**

FIG. 1 is a front perspective view of a nursing pad;  
FIG. 2 is a rear perspective view of the nursing pad;  
FIG. 3 is a top view of the nursing pad;  
FIG. 4 is a bottom view of the nursing pad;  
FIG. 5 is a right side view of the nursing pad;  
FIG. 6 is a left side view of the nursing pad;  
FIG. 7 is a front elevation view of the nursing pad; and,  
FIG. 8 is a rear elevation view of the nursing pad.  
Stippling on the interior surface of the nursing pad indicates a contrast in appearance.  
The areas within dashed lines indicate adhesive areas for attachment to garment(s) and form no part of the claimed design.

**1 Claim, 5 Drawing Sheets**

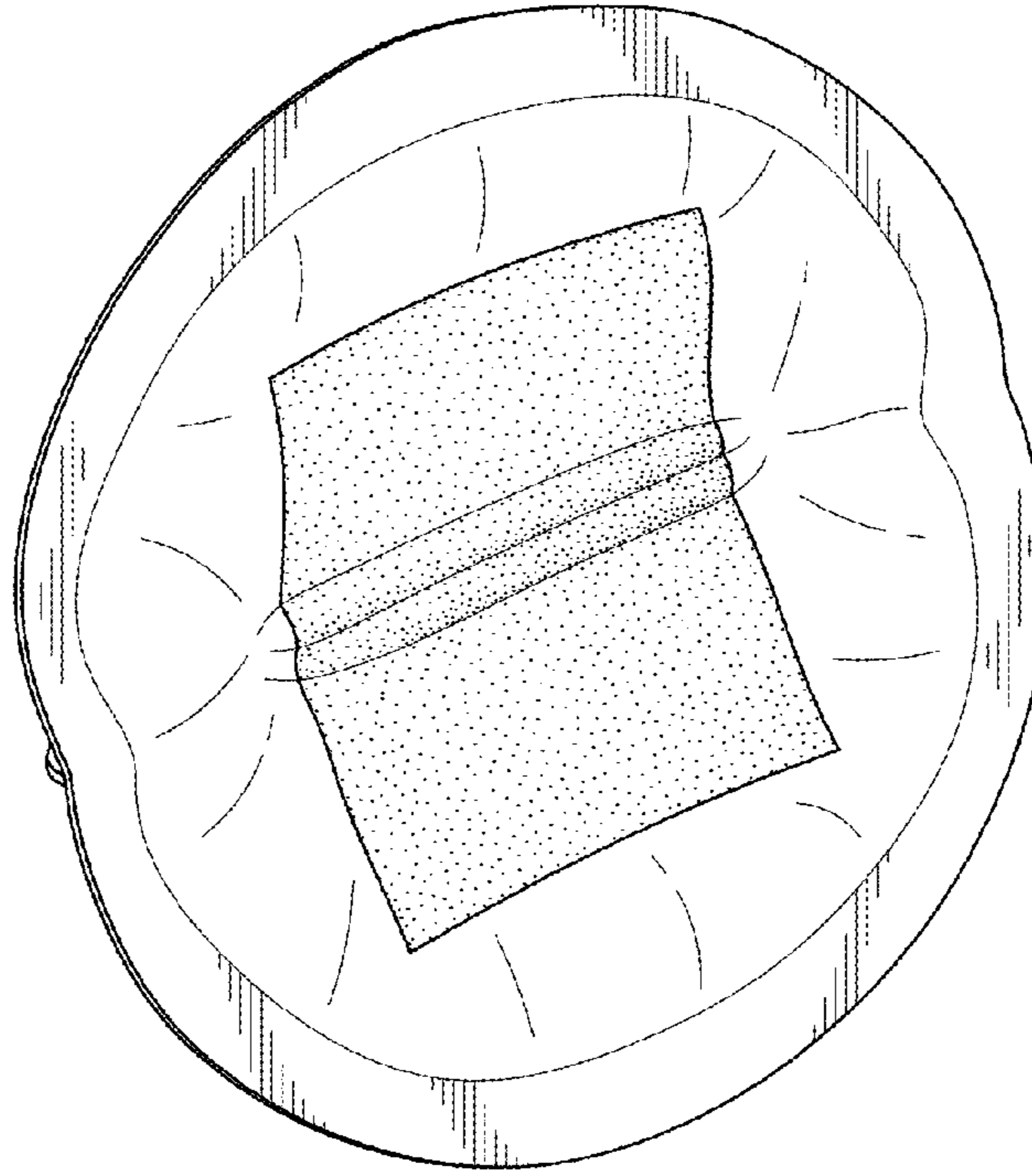
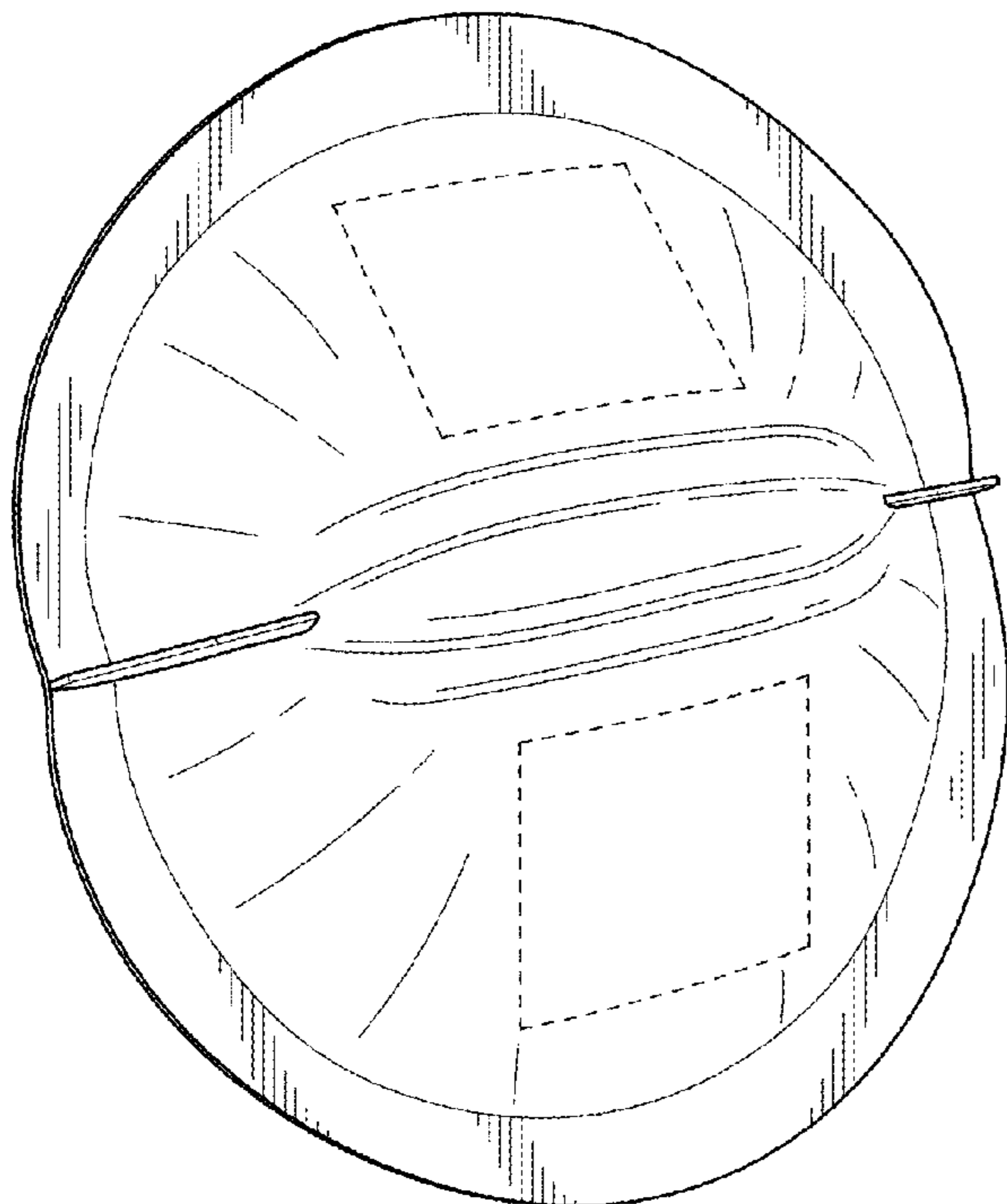


FIG. 1

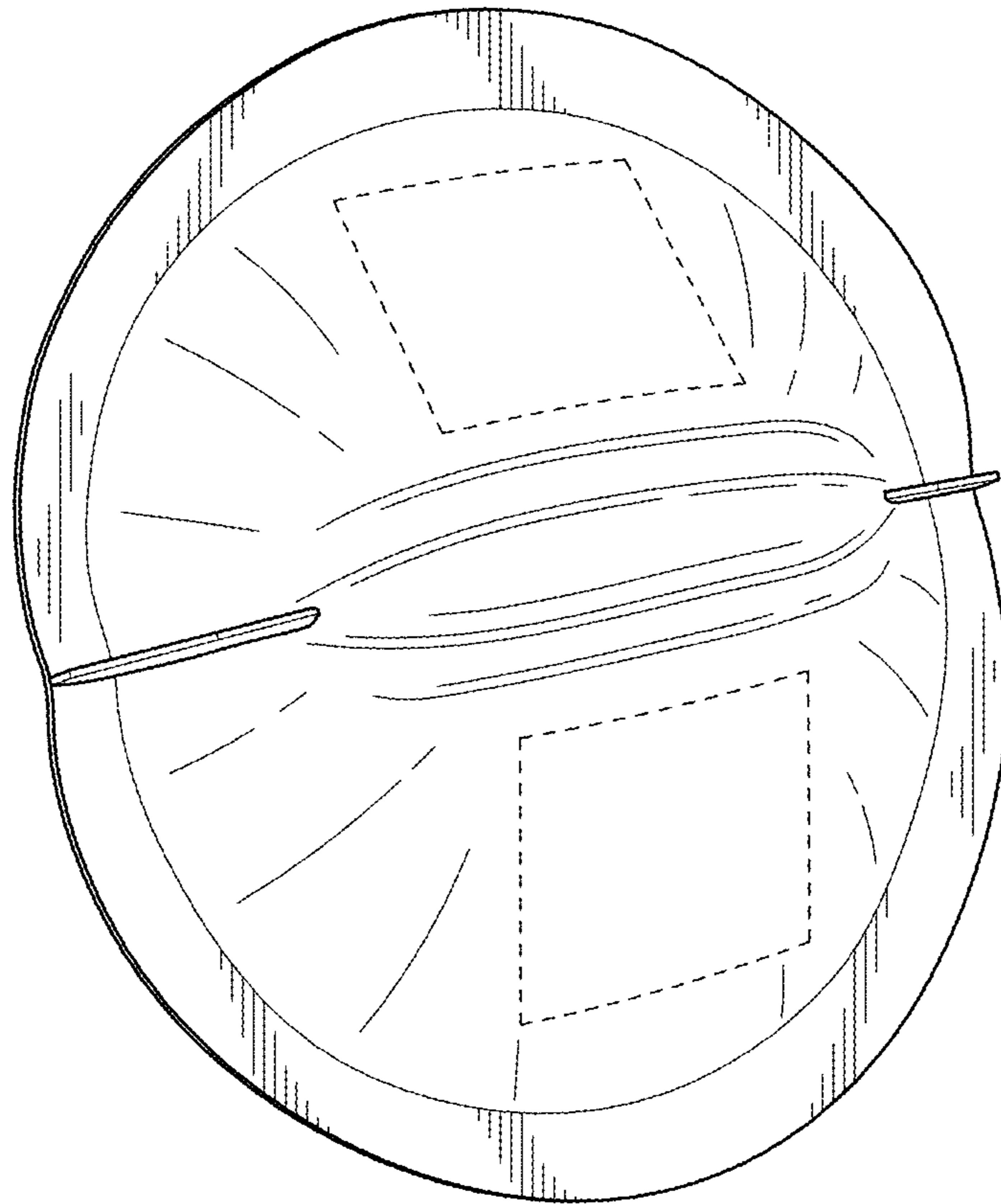


FIG. 2

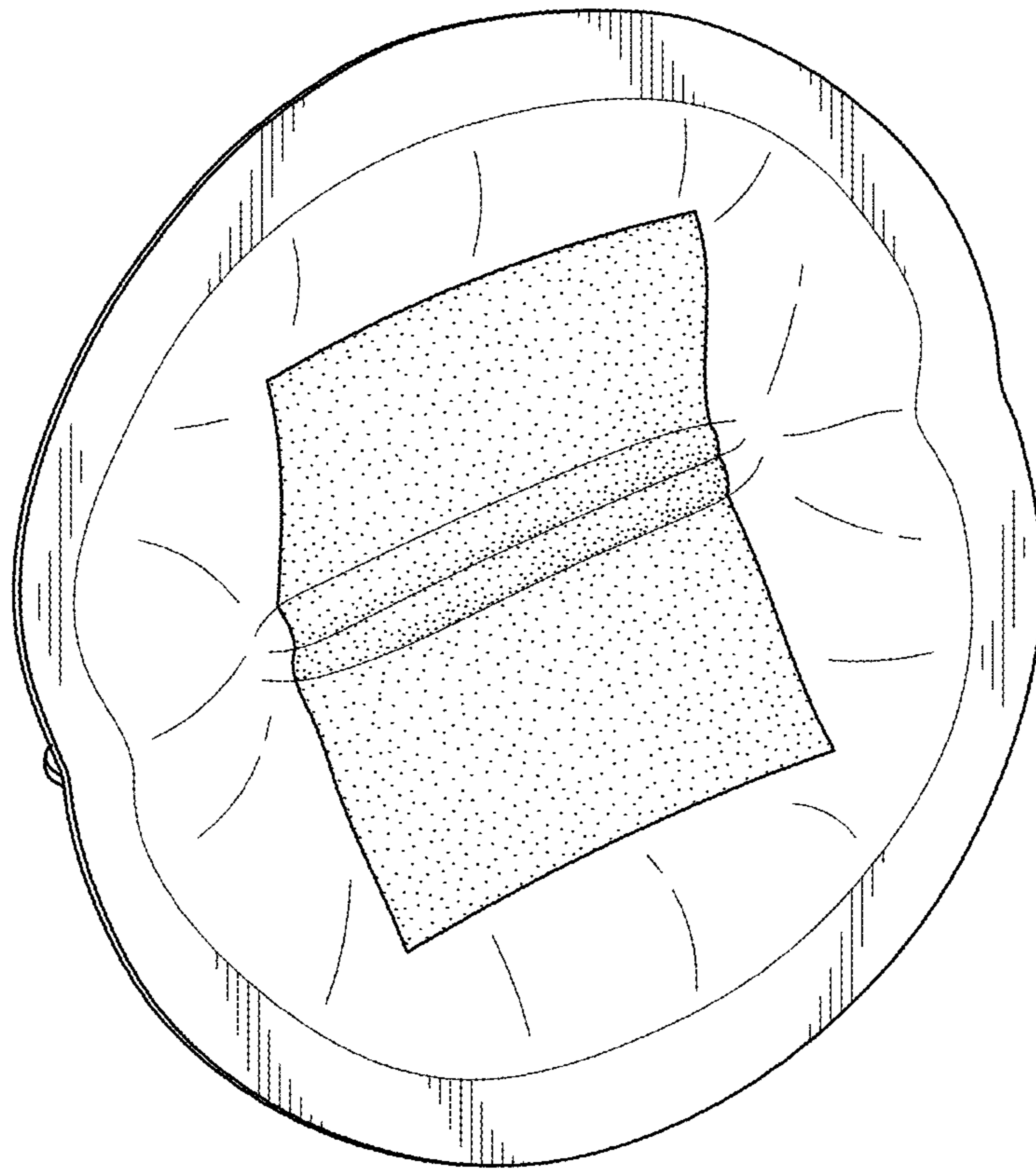


FIG. 3

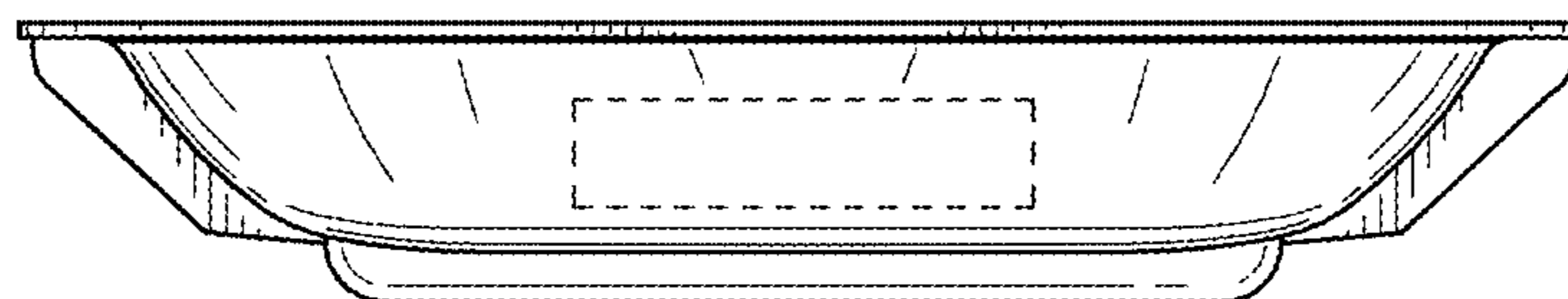


FIG. 4

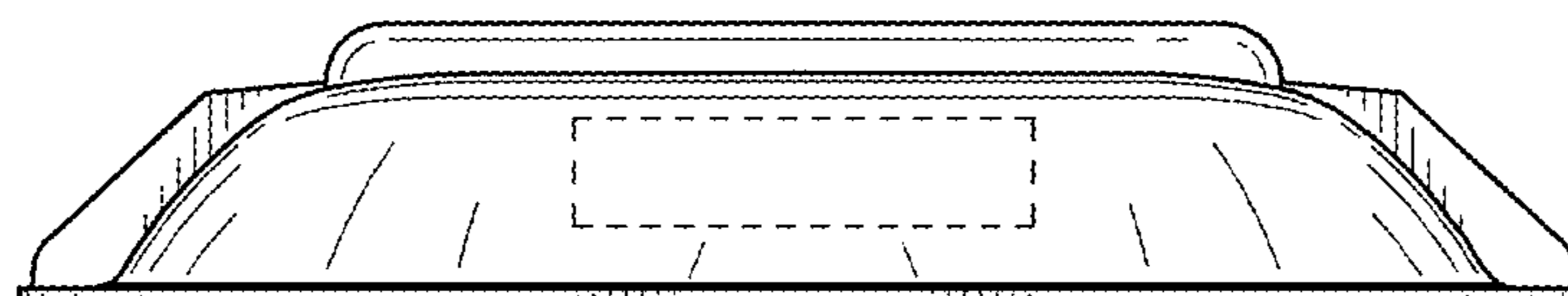


FIG. 5

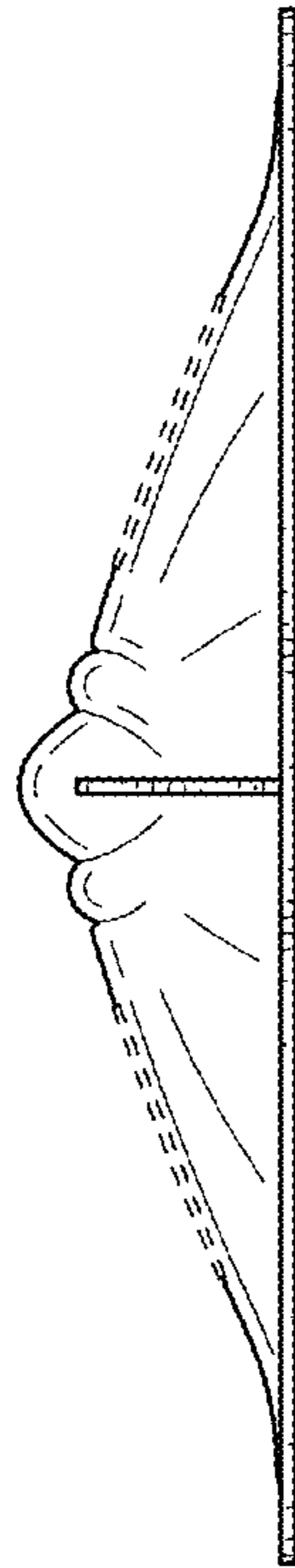


FIG. 6

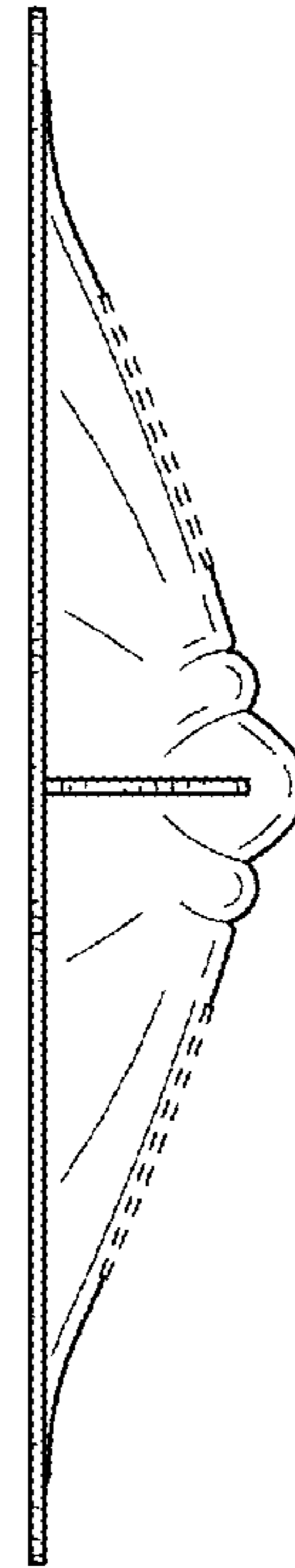


FIG. 7

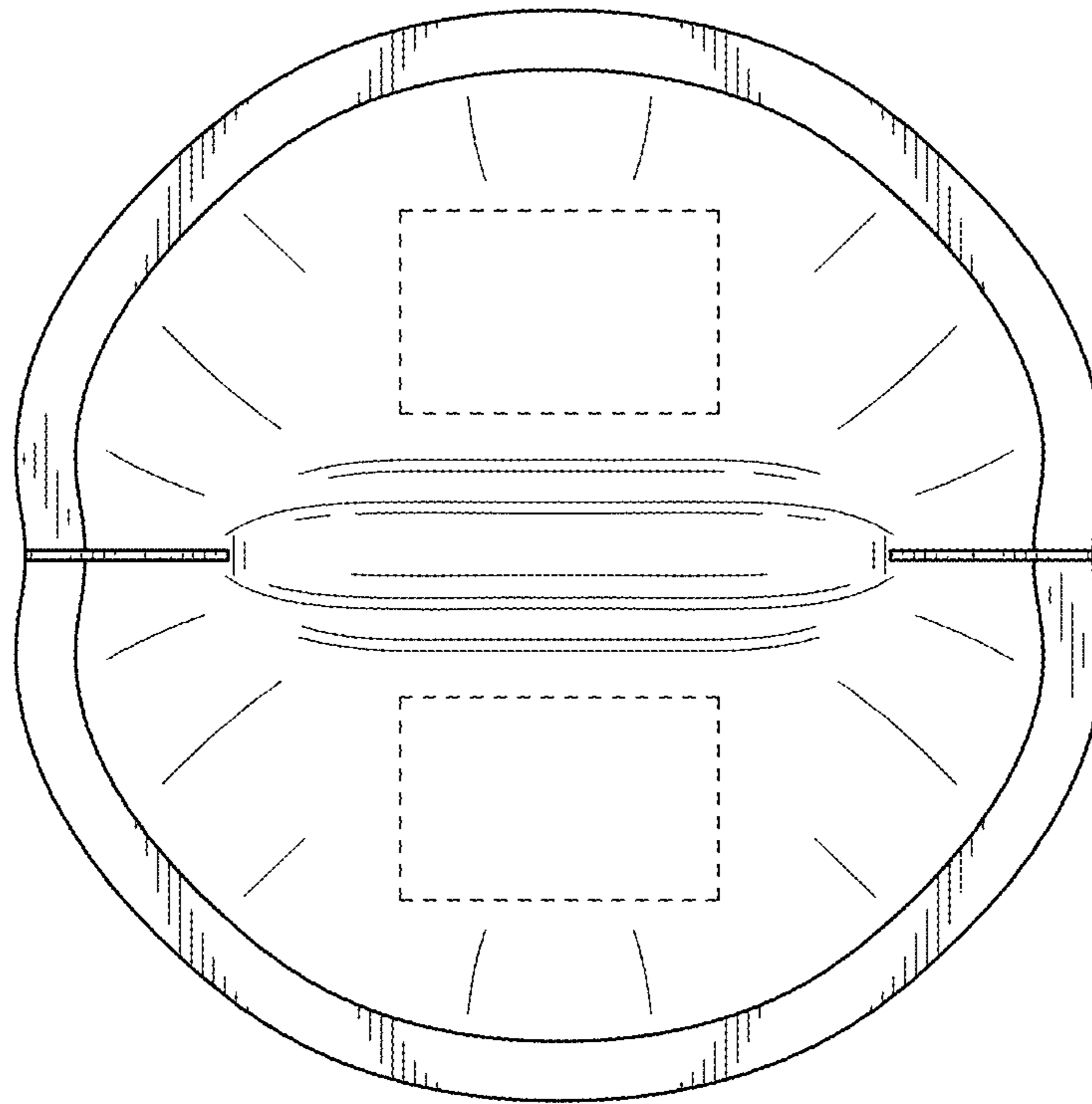


FIG. 8

