



US00D785167S

(12) **United States Design Patent** (10) **Patent No.:** **US D785,167 S**  
**Sydowski** (45) **Date of Patent:** **\*\* Apr. 25, 2017**

- (54) **CUT DISC MEMBRANE CONTAINER**
- (71) Applicant: **EMD Millipore Corporation**, Billerica, MA (US)
- (72) Inventor: **Paul Sydowski**, Billerica, MA (US)
- (73) Assignee: **EMD Millipore Corporation**, Billerica, MA (US)
- (\*\*) Term: **15 Years**
- (21) Appl. No.: **29/542,444**
- (22) Filed: **Oct. 14, 2015**
- (51) **LOC (10) Cl.** ..... **24-02**
- (52) **U.S. Cl.**  
USPC ..... **D24/121**
- (58) **Field of Classification Search**  
USPC ..... D24/121, 123, 224; 604/317-325  
CPC ..... A61M 1/0058; Y10T 137/3109  
See application file for complete search history.

D731,672 S *	6/2015	Kuroda	.....	D24/224
D738,491 S *	9/2015	Foley	.....	D24/121
2005/0183672 A1	8/2005	Lewis		
2010/0223732 A1	9/2010	Allman et al.		

**FOREIGN PATENT DOCUMENTS**

CN	301775310 S	12/2011
CN	301881743 S	4/2012
CN	102730323 A	10/2012
CN	302197053 S	11/2012
CN	302197054 S	11/2012
CN	302306770 S	1/2013
CN	302598441 S	10/2013
CN	203648399 U	6/2014
CN	302840505 S	6/2014
CN	302893872 S	7/2014

(Continued)

*Primary Examiner* — David Muller  
(74) *Attorney, Agent, or Firm* — Nields, Lemack & Frame, LLC

(57) **CLAIM**

The ornamental design for a cut disc membrane container, as shown.

**DESCRIPTION**

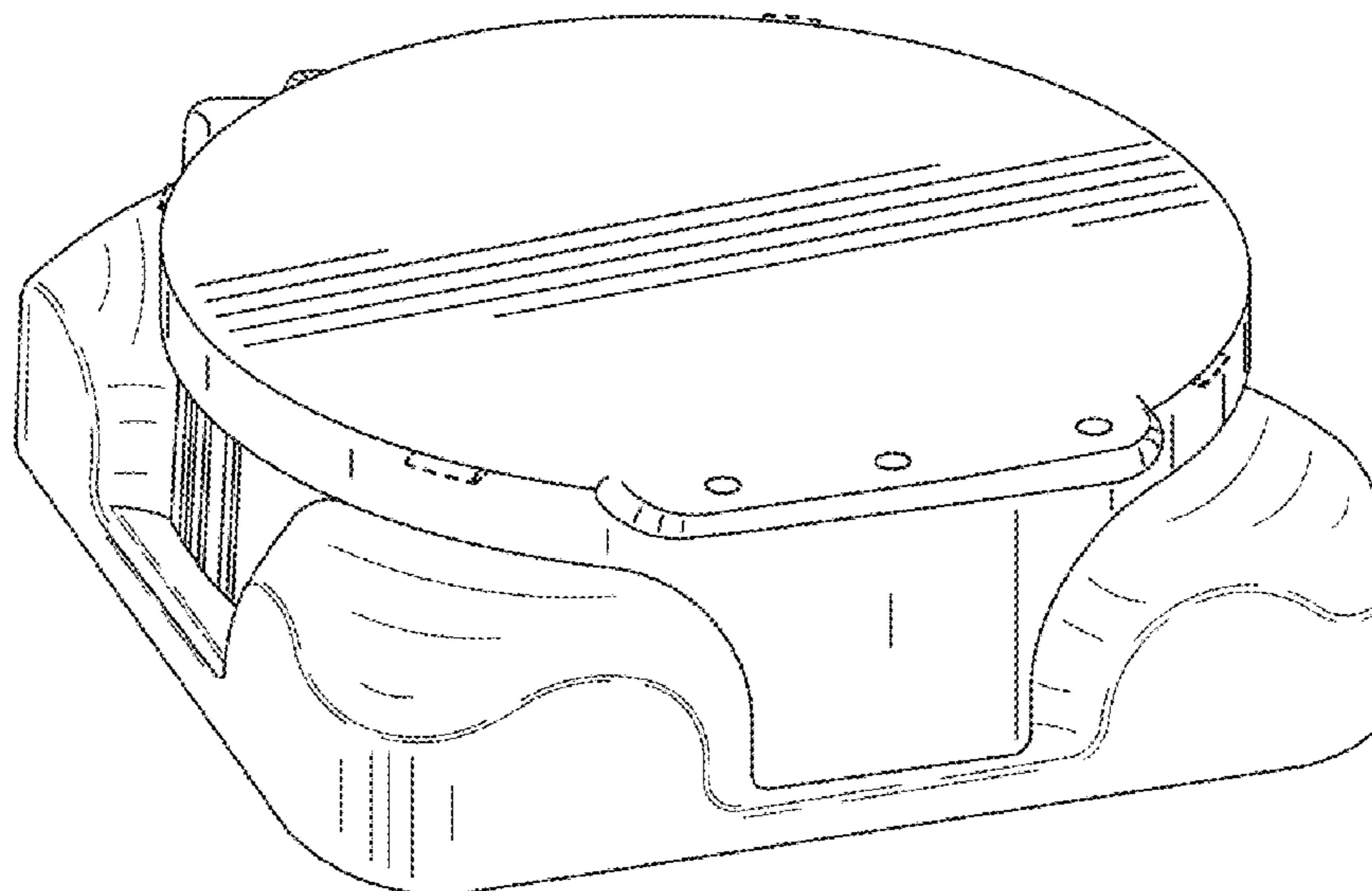
FIG. 1 is a perspective view of the container;  
FIG. 2 is a top view of the container;  
FIG. 3 is a bottom view of the container;  
FIG. 4 is a first side view of the container;  
FIG. 5 is a second side view of the container;  
FIG. 6 is a third side view of the container; and,  
FIG. 7 is a fourth side view of the container.  
The broken line showing of parts of the drawings is included for the purpose of illustrating use and environment and forms no part of the claimed design.  
A container for holding membrane that is easily opened and provides easy access to stacked membrane discs.

**1 Claim, 3 Drawing Sheets**

(56) **References Cited**

**U.S. PATENT DOCUMENTS**

D303,428 S *	9/1989	Wada	.....	D24/224
D360,950 S *	8/1995	Mazurek	.....	D24/223
D373,637 S	9/1996	Spearman		
5,669,549 A	9/1997	Robertson		
D404,830 S *	1/1999	Childs	.....	D24/224
6,022,570 A	2/2000	Richmond		
D445,330 S	7/2001	Clarke, III		
D481,946 S *	11/2003	Nicholson	.....	D24/224
D578,653 S *	10/2008	Suzuki	.....	D24/216
D644,118 S *	8/2011	Giles	.....	D24/224
D657,886 S *	4/2012	Mayfield	.....	D24/224
D674,111 S *	1/2013	Whitehead	.....	D24/224
D674,505 S *	1/2013	Cecchi	.....	D24/224
D698,940 S *	2/2014	Pribenszky	.....	D24/224
D717,462 S *	11/2014	Wainwright	.....	D24/216



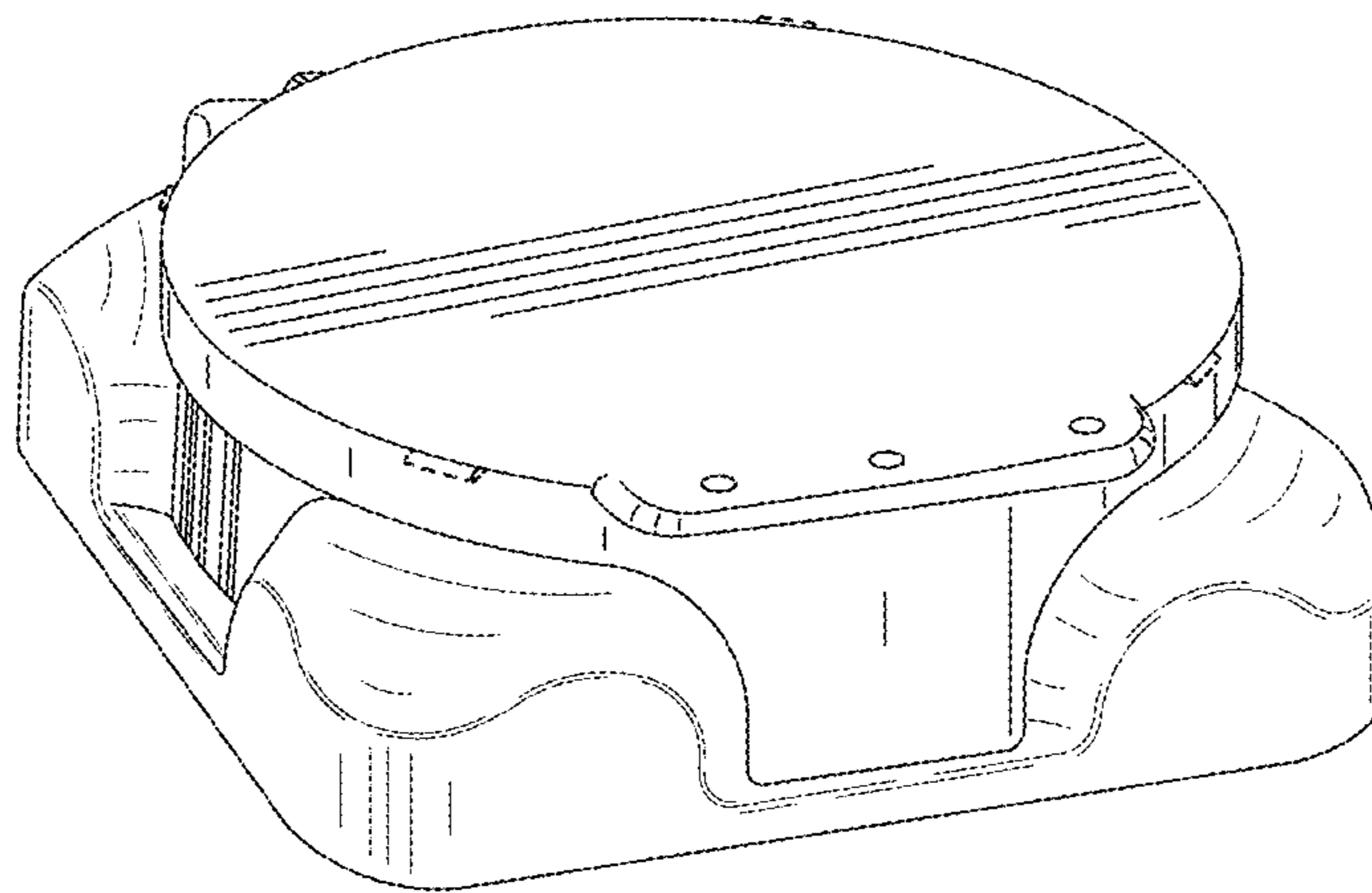
(56)

**References Cited**

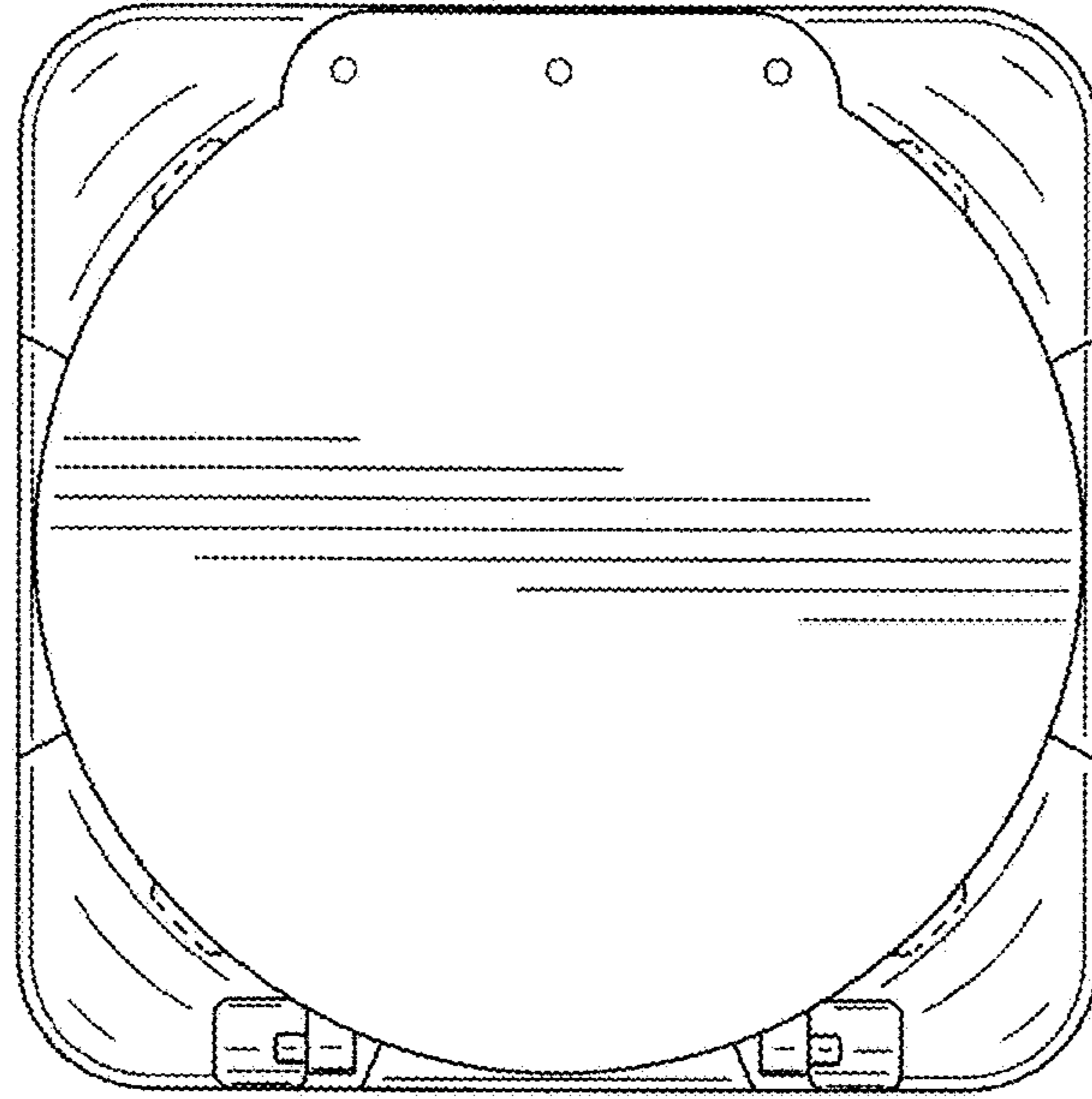
FOREIGN PATENT DOCUMENTS

CN	303096426 S	2/2015
CN	303315796 S	8/2015
TW	532781 S	5/2003
TW	D115819 S	3/2007
TW	D127335 S	2/2009
TW	D134873 S	5/2010

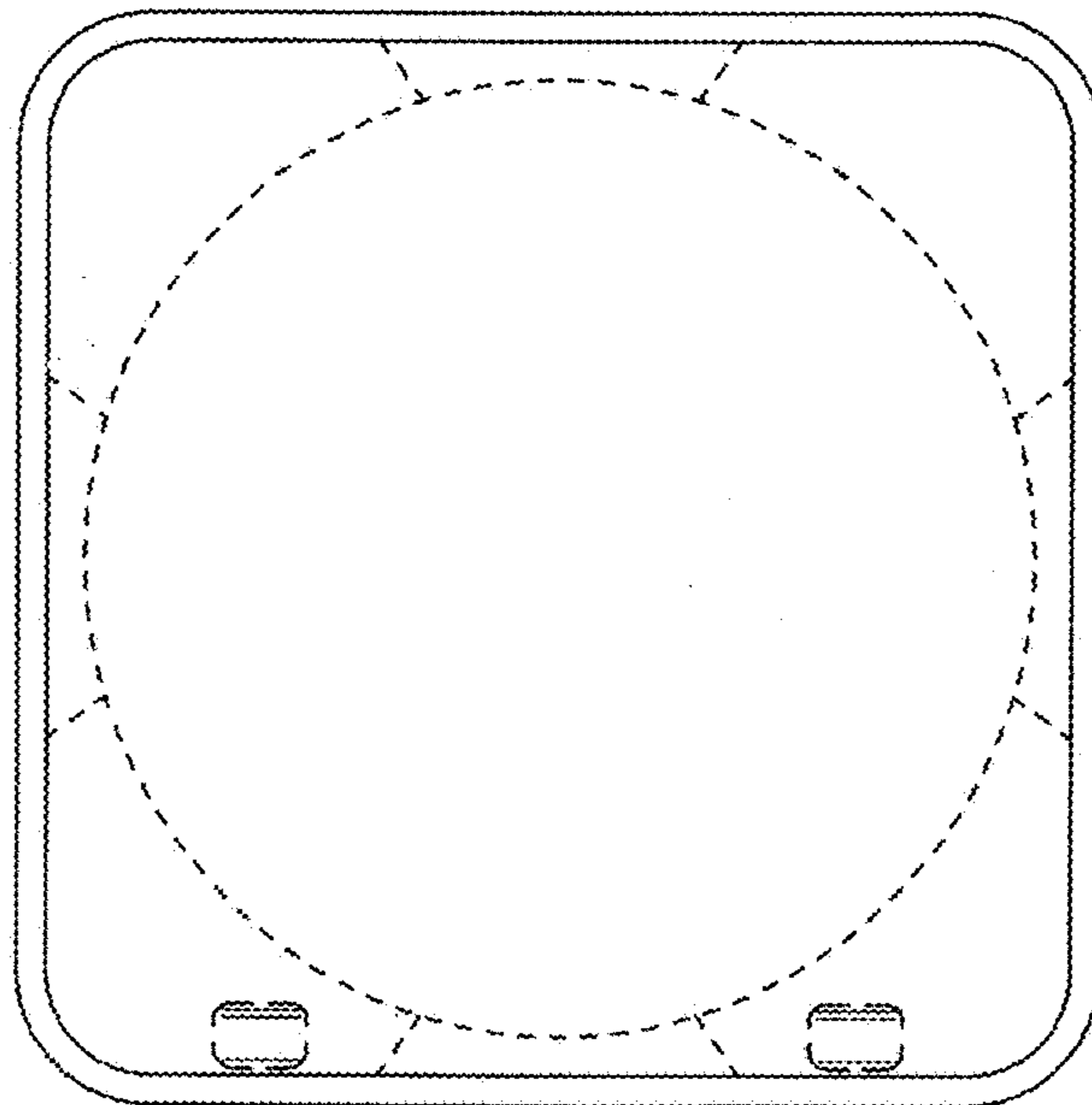
\* cited by examiner



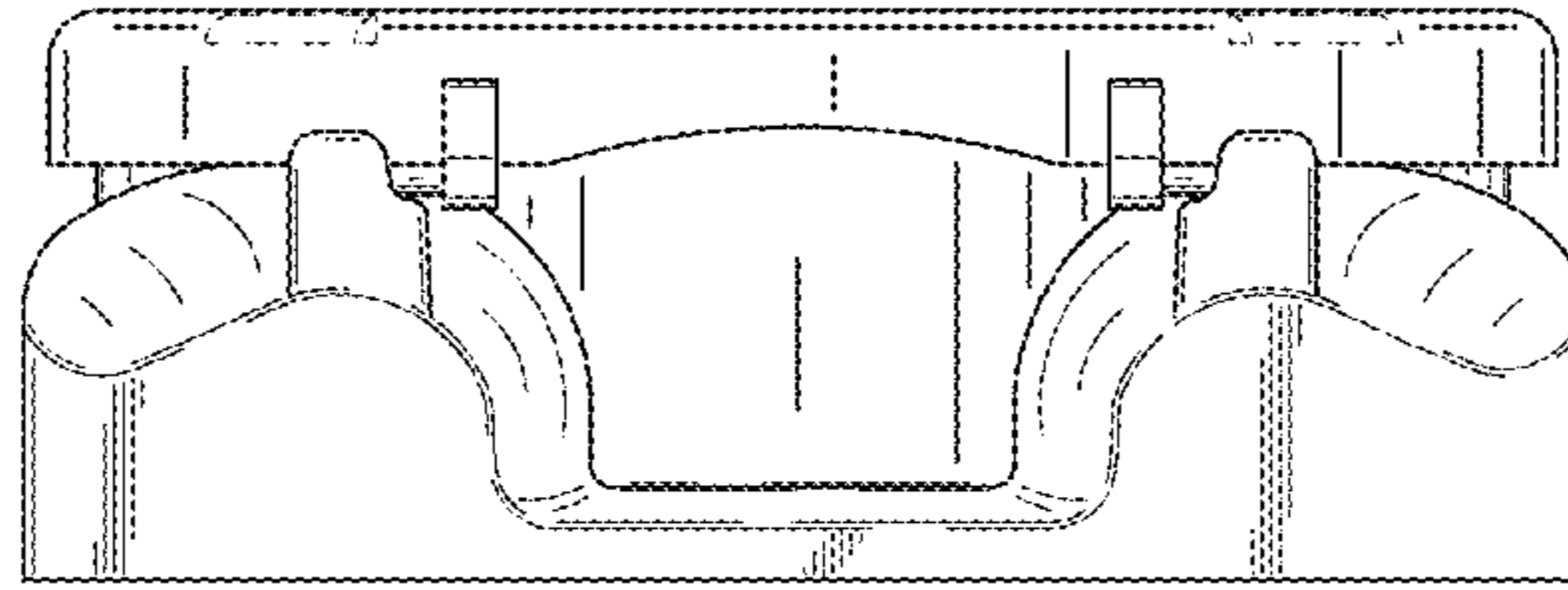
**FIG. 1**



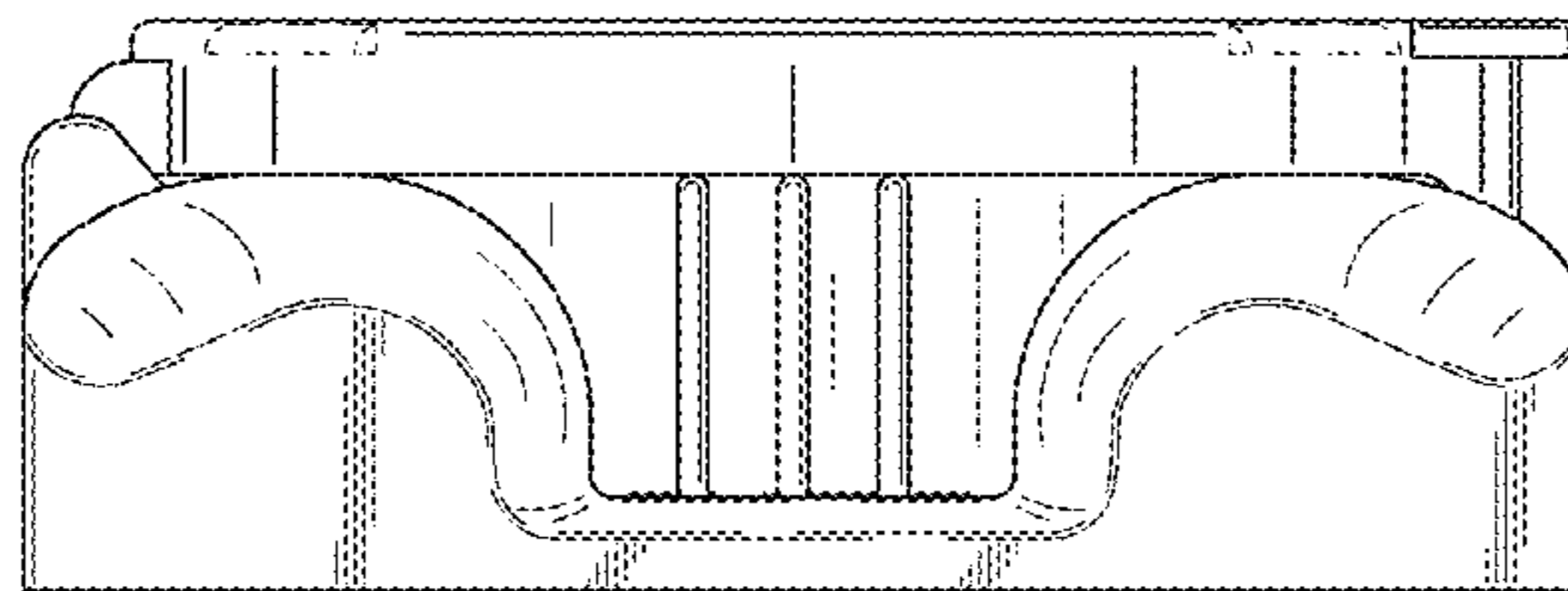
**FIG. 2**



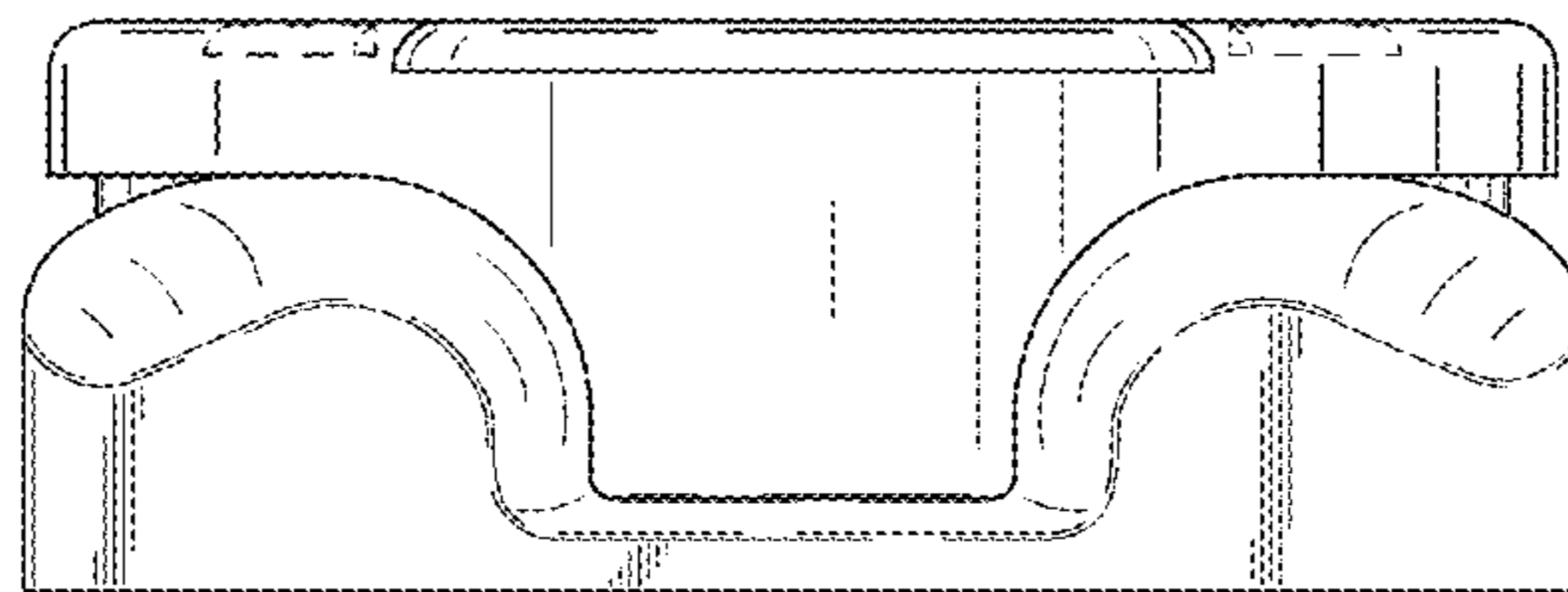
**FIG. 3**



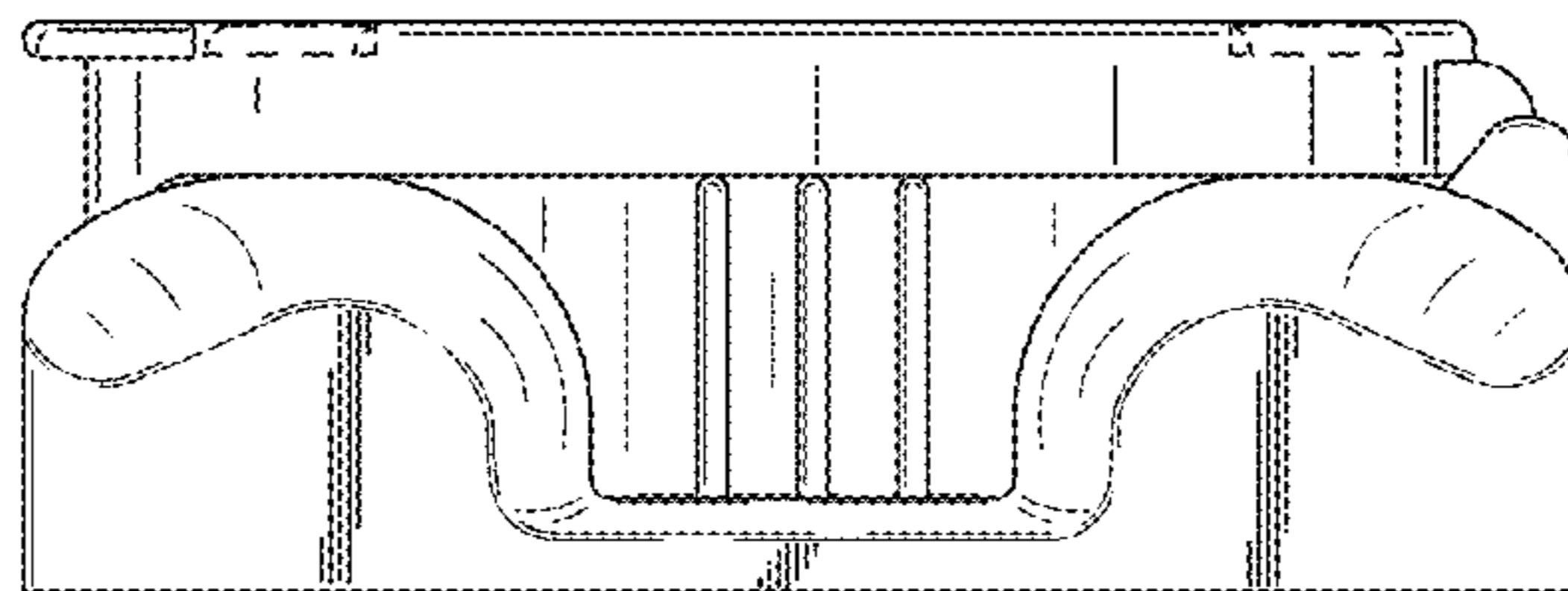
**FIG. 4**



**FIG. 5**



**FIG. 6**



**FIG. 7**