



US00D785166S

(12) **United States Design Patent**
Sawicki et al.

(10) **Patent No.:** **US D785,166 S**
(45) **Date of Patent:** **** Apr. 25, 2017**

- (54) **TROPICAL APPLICATOR**
- (71) Applicant: **Tricorbraun Inc.**, St. Louis, MO (US)
- (72) Inventors: **Craig Sawicki**, Roselle, IL (US); **Tim Jacobs**, Schaumburg, IL (US)
- (73) Assignee: **TricorBraun Inc.**, St. Louis, MO (US)
- (**) Term: **15 Years**
- (21) Appl. No.: **29/547,443**
- (22) Filed: **Dec. 3, 2015**
- (51) **LOC (10) Cl.** **24-02**
- (52) **U.S. Cl.**
USPC **D24/119**
- (58) **Field of Classification Search**
USPC D24/119, 132, 133, 134, 135, 141;
D28/7, 8, 20-22, 30-31, 76, 85, 99;
604/1, 2, 3, 19, 73, 309, 540; 132/317;
600/572; 401/196
See application file for complete search history.

(56) **References Cited**

U.S. PATENT DOCUMENTS

- D485,016 S * 1/2004 Noh D28/76
- D581,279 S * 11/2008 Oates D28/76
- D612,939 S * 3/2010 Boone, III D24/133

- D690,411 S * 9/2013 Reynolds D24/108
- D695,399 S * 12/2013 Sadot D24/133
- D699,344 S * 2/2014 Tokumoto D24/119
- D713,094 S * 9/2014 Garner D28/9
- D752,287 S * 3/2016 Bansal D28/7
- D768,293 S * 10/2016 Sawicki D24/119
- D772,400 S * 11/2016 Sawicki D24/119

* cited by examiner

Primary Examiner — Garth Rademaker

Assistant Examiner — Samantha Q Lawrence

(74) *Attorney, Agent, or Firm* — Husch Blackwell LLP

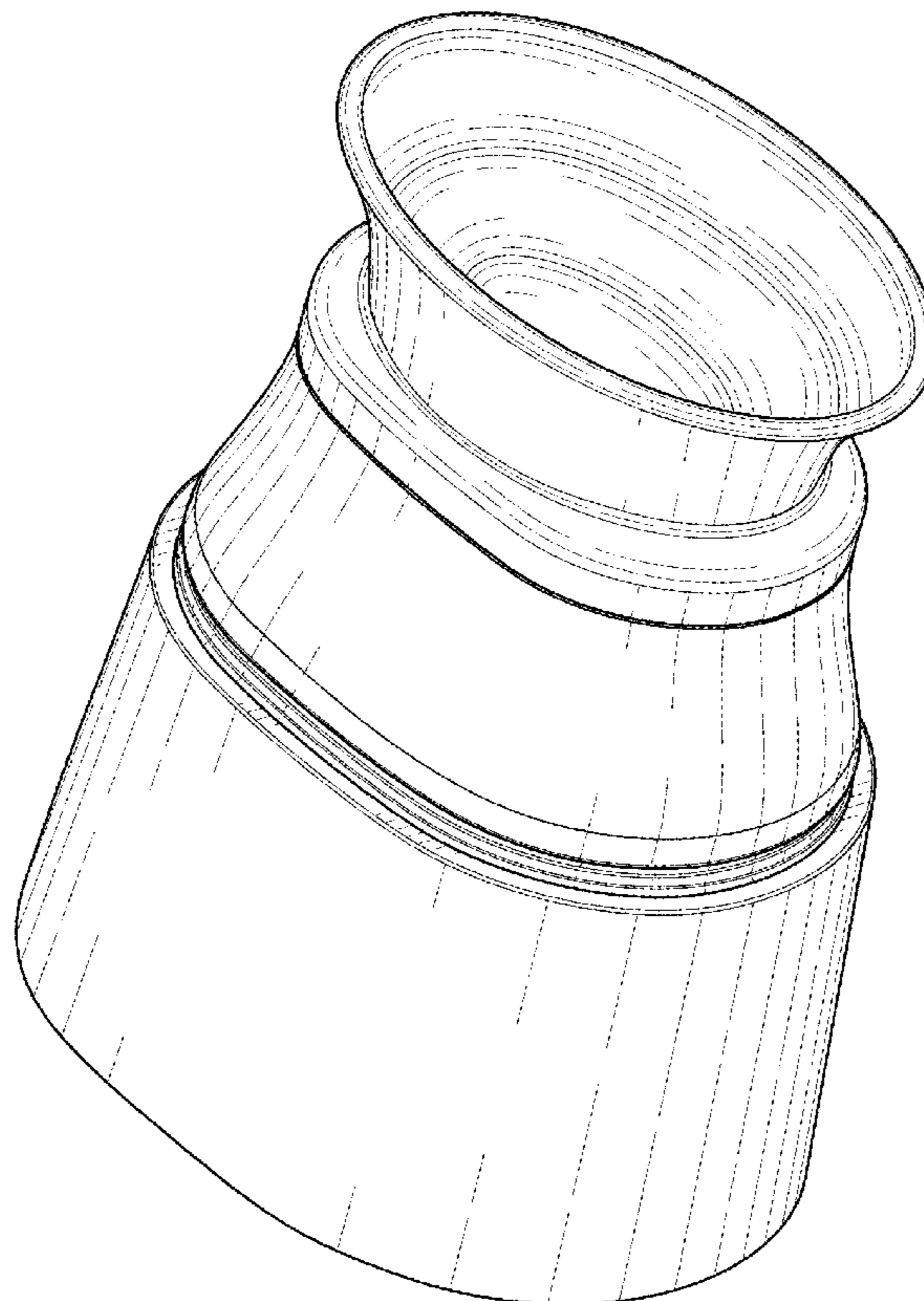
(57) **CLAIM**

We claim the ornamental design for a topical applicator, as shown and described.

DESCRIPTION

FIG. 1 is a top perspective view of a topical applicator showing the new design;
 FIG. 2 is a bottom perspective view thereof;
 FIG. 3 is a front elevation view thereof, the rear elevation view being a mirror image of the front elevation view;
 FIG. 4 is a right side elevation view thereof, the left side elevation view being a mirror image of the right side elevation view;
 FIG. 5 is a top plan view thereof;
 FIG. 6 is a bottom plan view thereof; and,
 FIG. 7 is a cross-sectional view showing section 7-7 of FIG. 4.

1 Claim, 6 Drawing Sheets



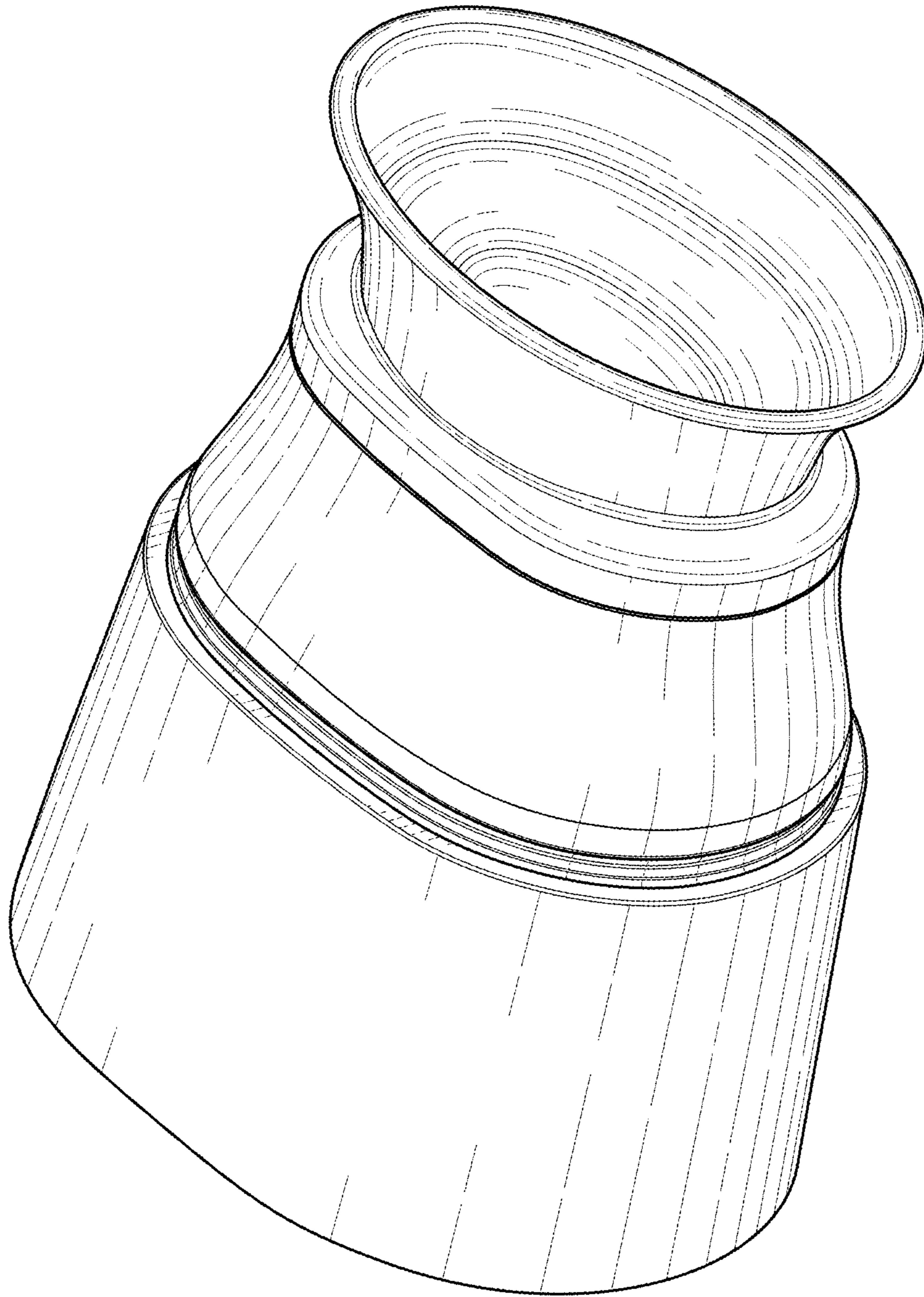


FIG. 1

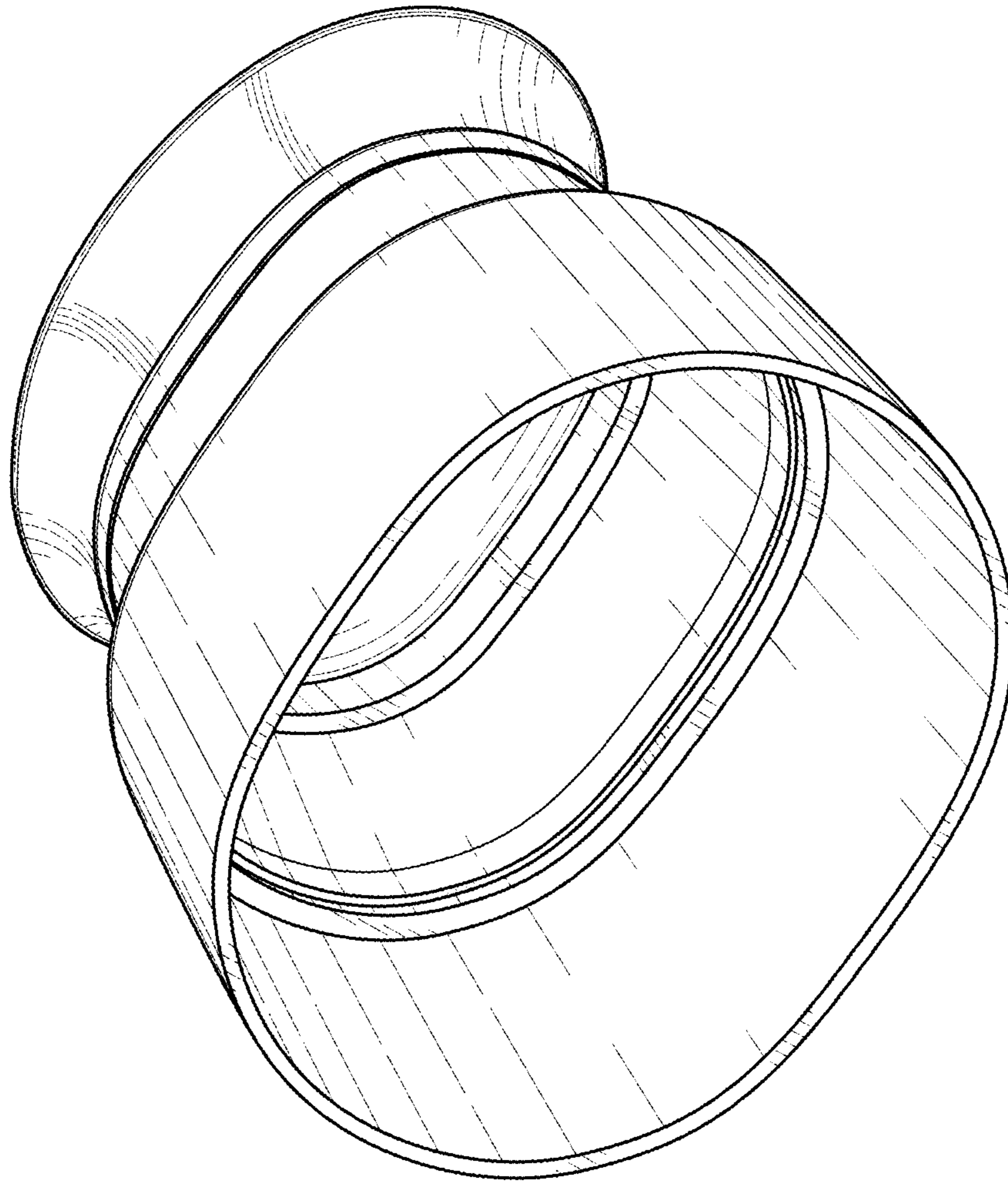


FIG. 2

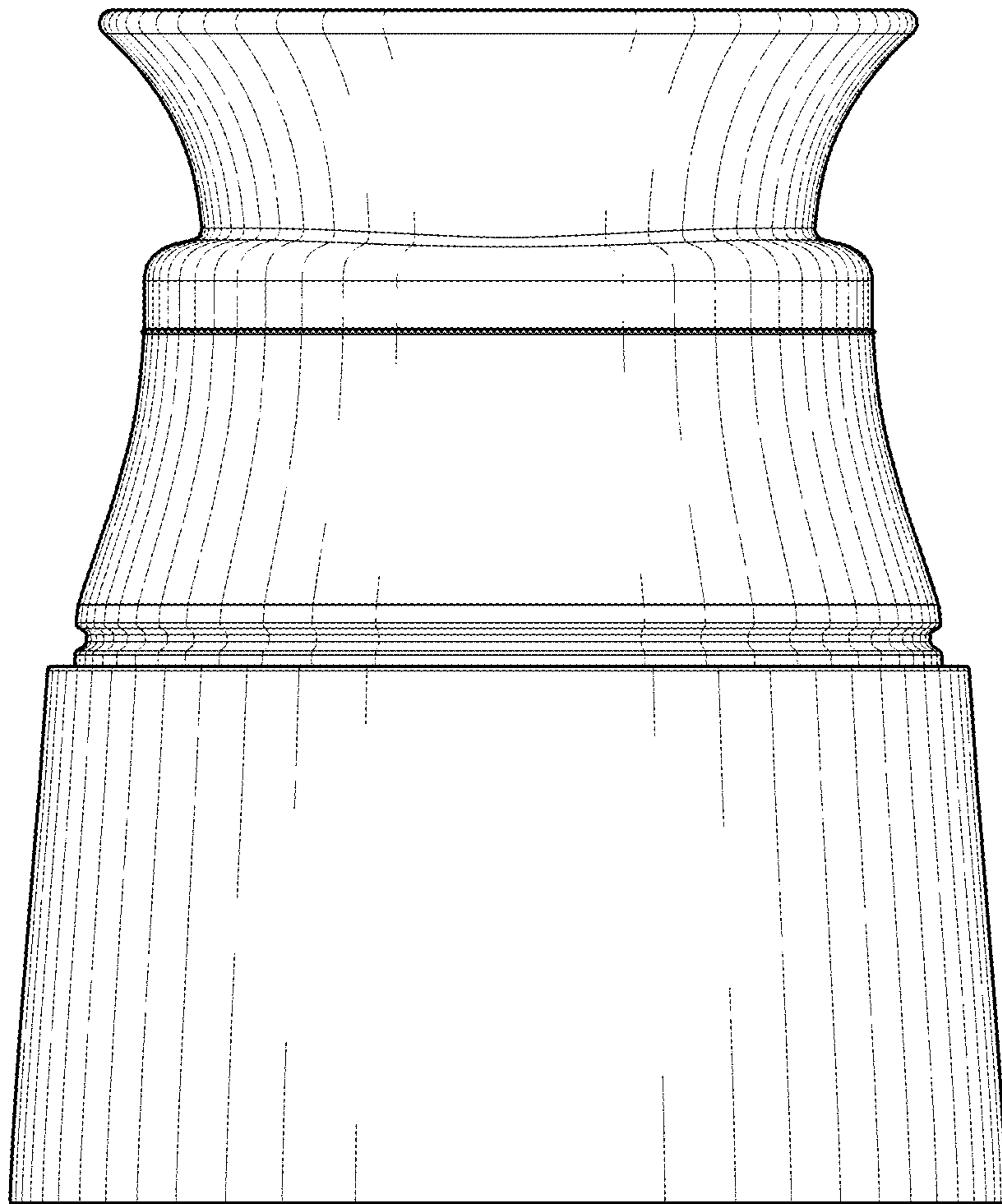


FIG. 3

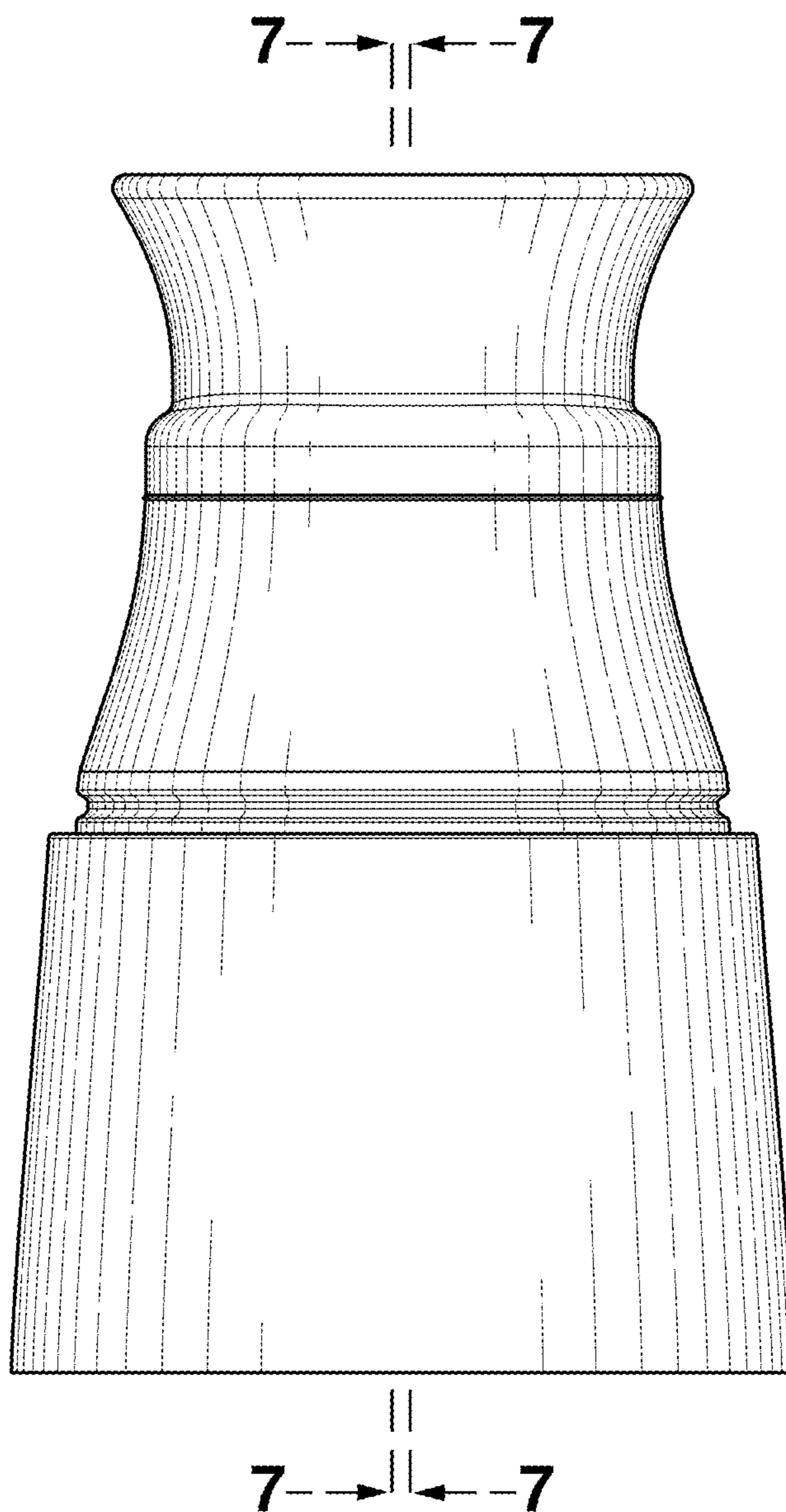


FIG. 4

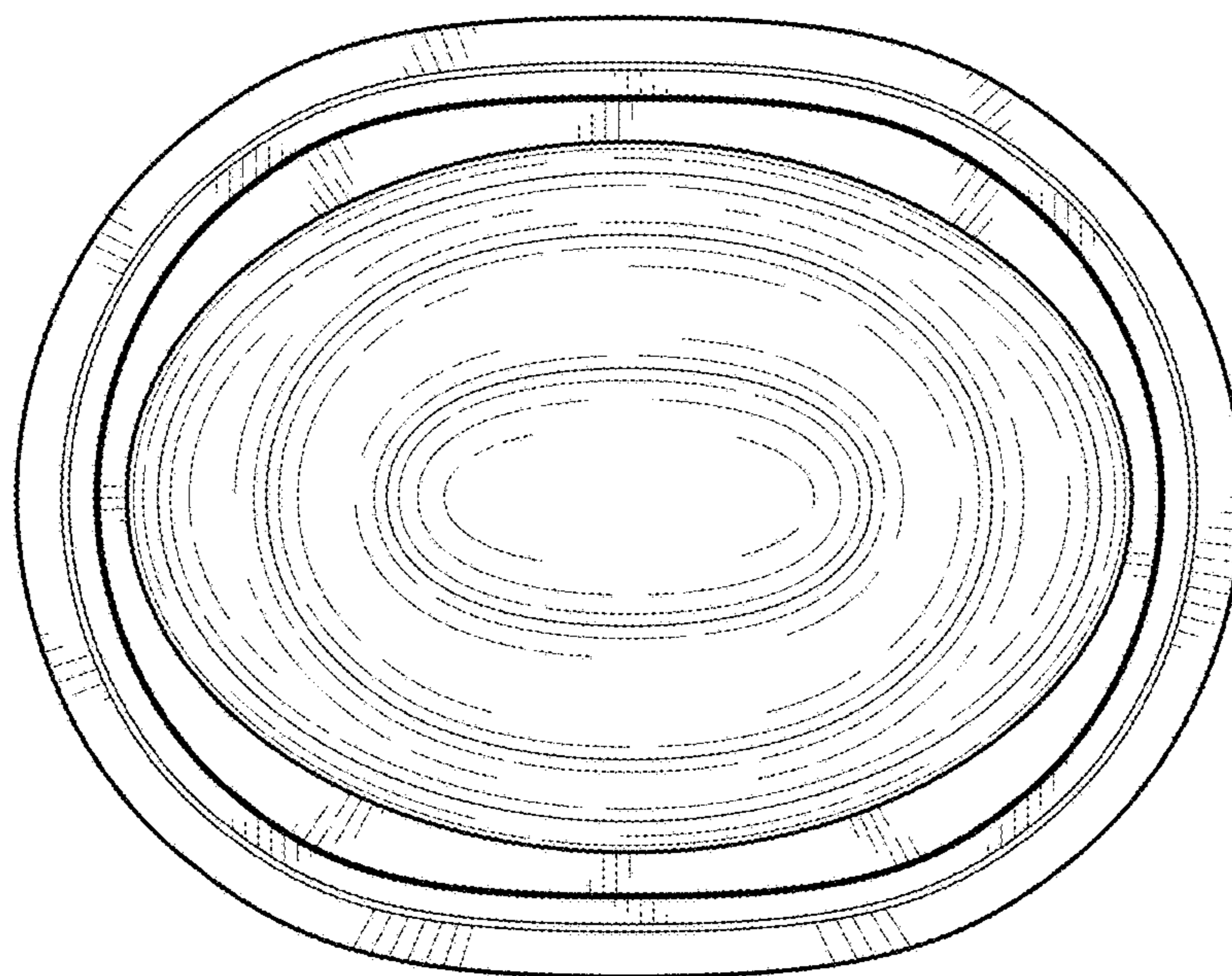


FIG. 5

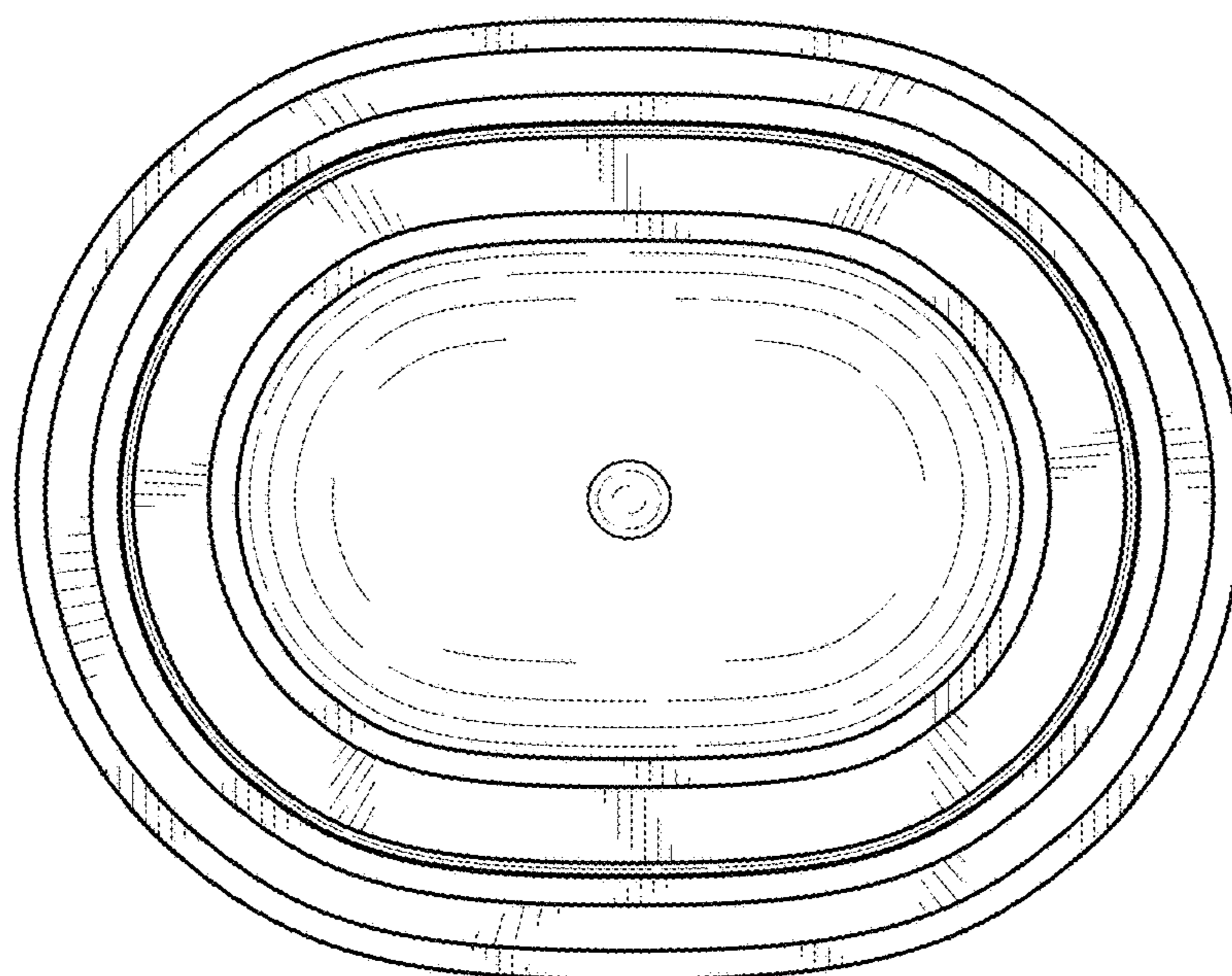


FIG. 6

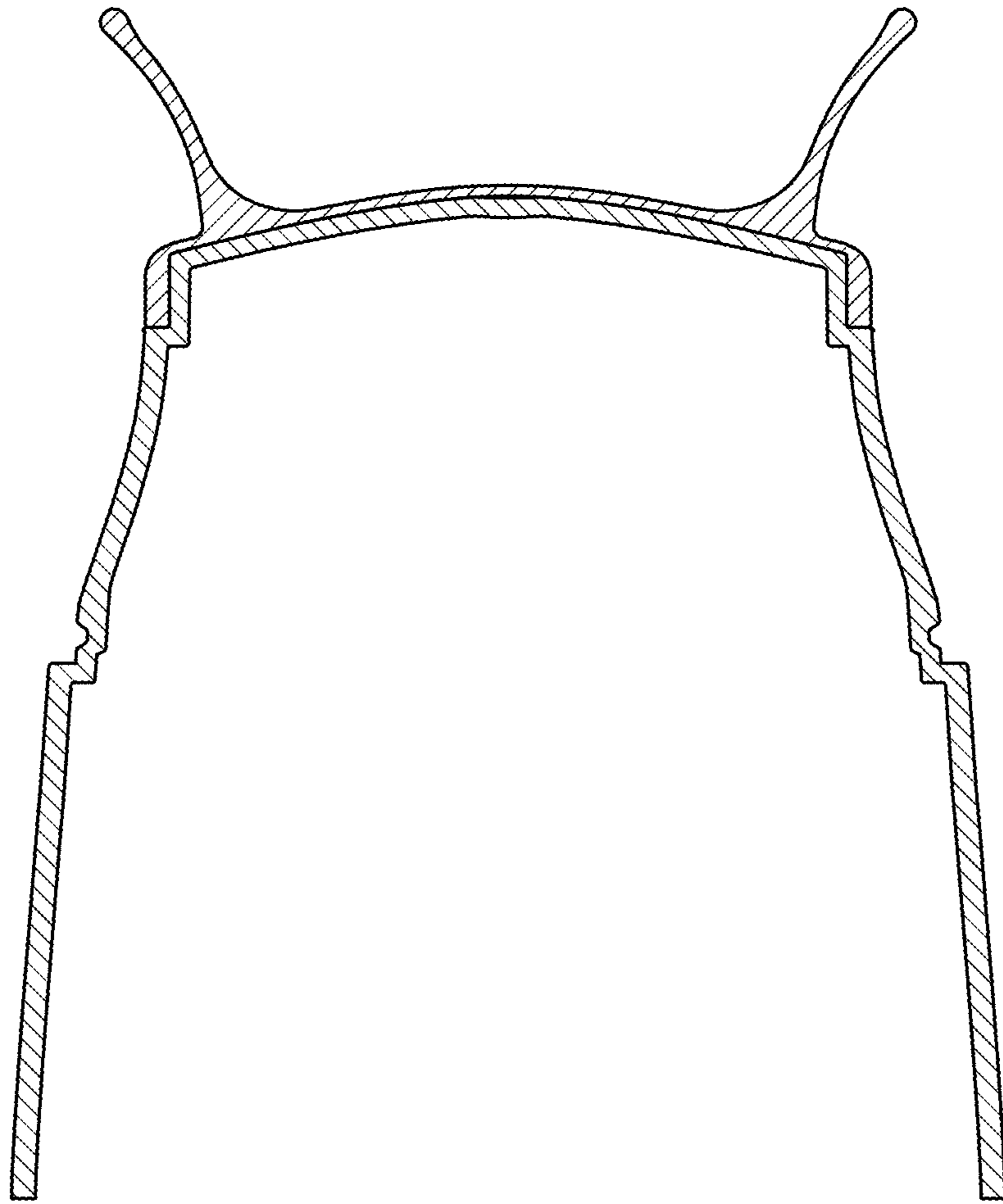


FIG. 7