

US00D785164S

(12) **United States Design Patent**
Subramanian

(10) **Patent No.:** **US D785,164 S**

(45) **Date of Patent:** **** Apr. 25, 2017**

- (54) **BOWEL PREPARATION BAG**
- (71) Applicant: **Gavis Pharmaceuticals**, Somerset, NJ
(US)
- (72) Inventor: **Veerappan Subramanian**, Somerset,
NJ (US)
- (73) Assignee: **Lupin Atlantis Holdings SA**, Zug (CH)
- (**) Term: **15 Years**
- (21) Appl. No.: **29/535,961**
- (22) Filed: **Oct. 6, 2015**
- (51) **LOC (10) Cl.** **24-02**
- (52) **U.S. Cl.**
USPC **D24/118**
- (58) **Field of Classification Search**
USPC D24/108, 112-114, 118, 127, 129, 130,
D24/133, 186; 604/332, 334, 337, 339
See application file for complete search history.

- D398,054 S * 9/1998 Eek D24/118
- D619,906 S * 7/2010 Carignan D9/708
- D662,202 S * 6/2012 O'Donnell D24/118
- D725,260 S * 3/2015 Cesa D24/118
- D752,452 S * 3/2016 Kearns D24/118

* cited by examiner

Primary Examiner — Garth Rademaker

Assistant Examiner — Samantha Q Lawrence

(74) *Attorney, Agent, or Firm* — Simana Rao, Esq.;
William D. Hare, Esq.; McNeely, Hare & War, LLP

(57) **CLAIM**

The ornamental design for a bowel preparation bag, as shown and described.

DESCRIPTION

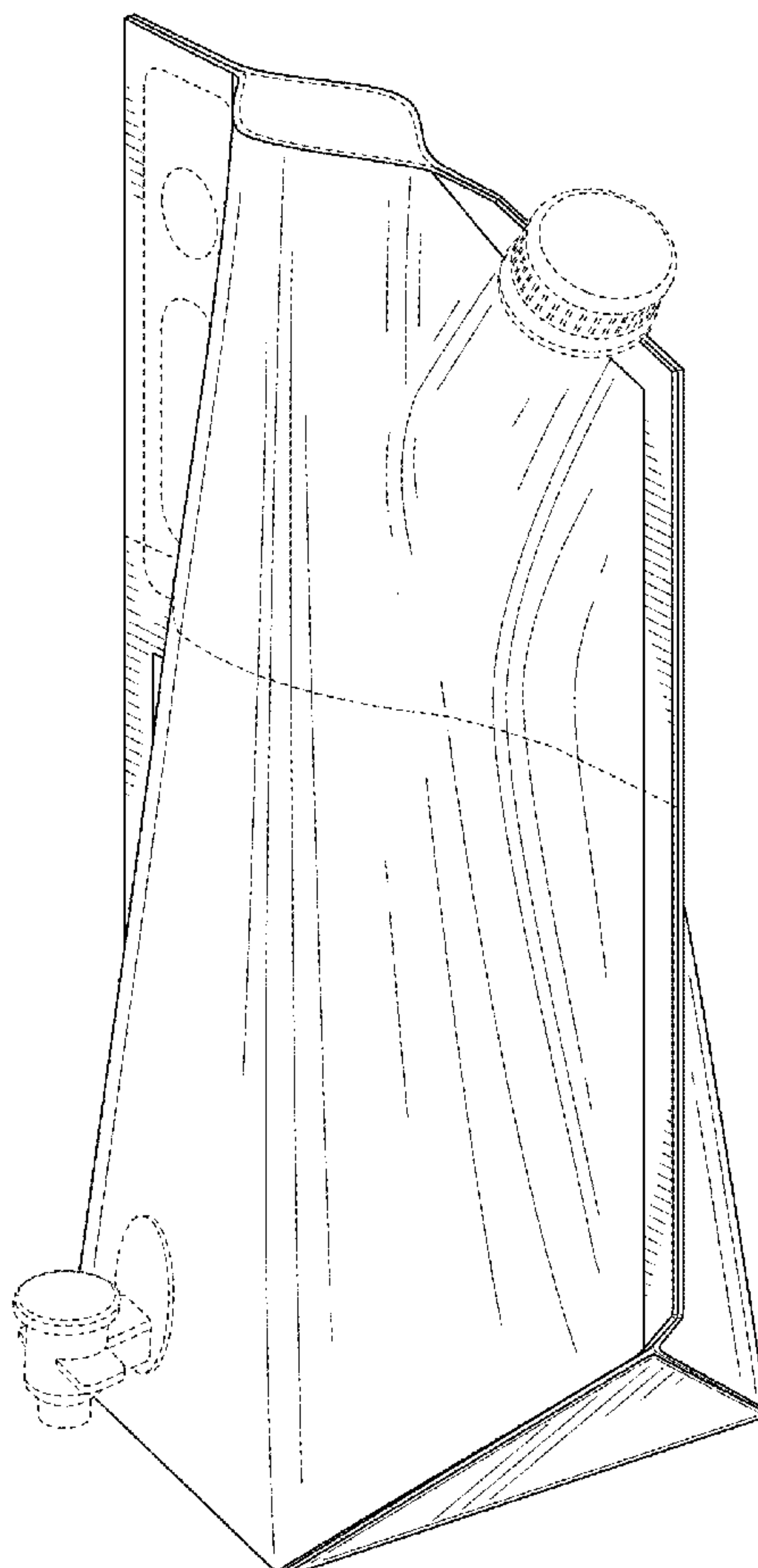
FIG. 1 is a perspective view of a bowel preparation bag;
 FIG. 2 is a front view thereof;
 FIG. 3 is a back view thereof;
 FIG. 4 is a left side view thereof;
 FIG. 5 is a right side view thereof;
 FIG. 6 is a bottom view thereof; and,
 FIG. 7 is a top view thereof.
 The broken lines shown in FIGS. 1-7 illustrate portions of the bowel preparation bag that form no part of the claimed design.

(56) **References Cited**

U.S. PATENT DOCUMENTS

- D291,491 S * 8/1987 Larkin D24/118
- D304,546 S * 11/1989 Cattach D24/118

1 Claim, 5 Drawing Sheets



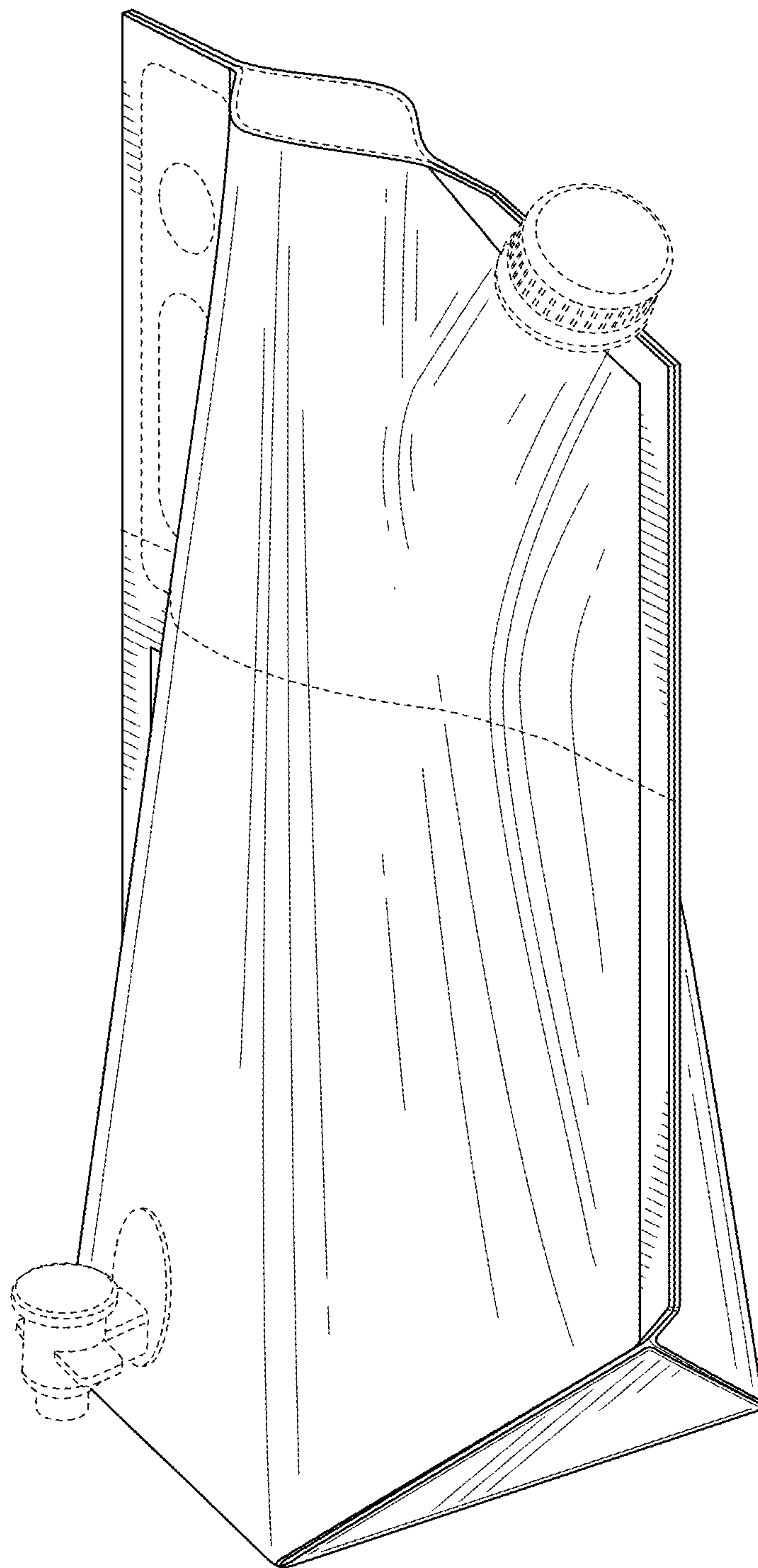


FIG. 1

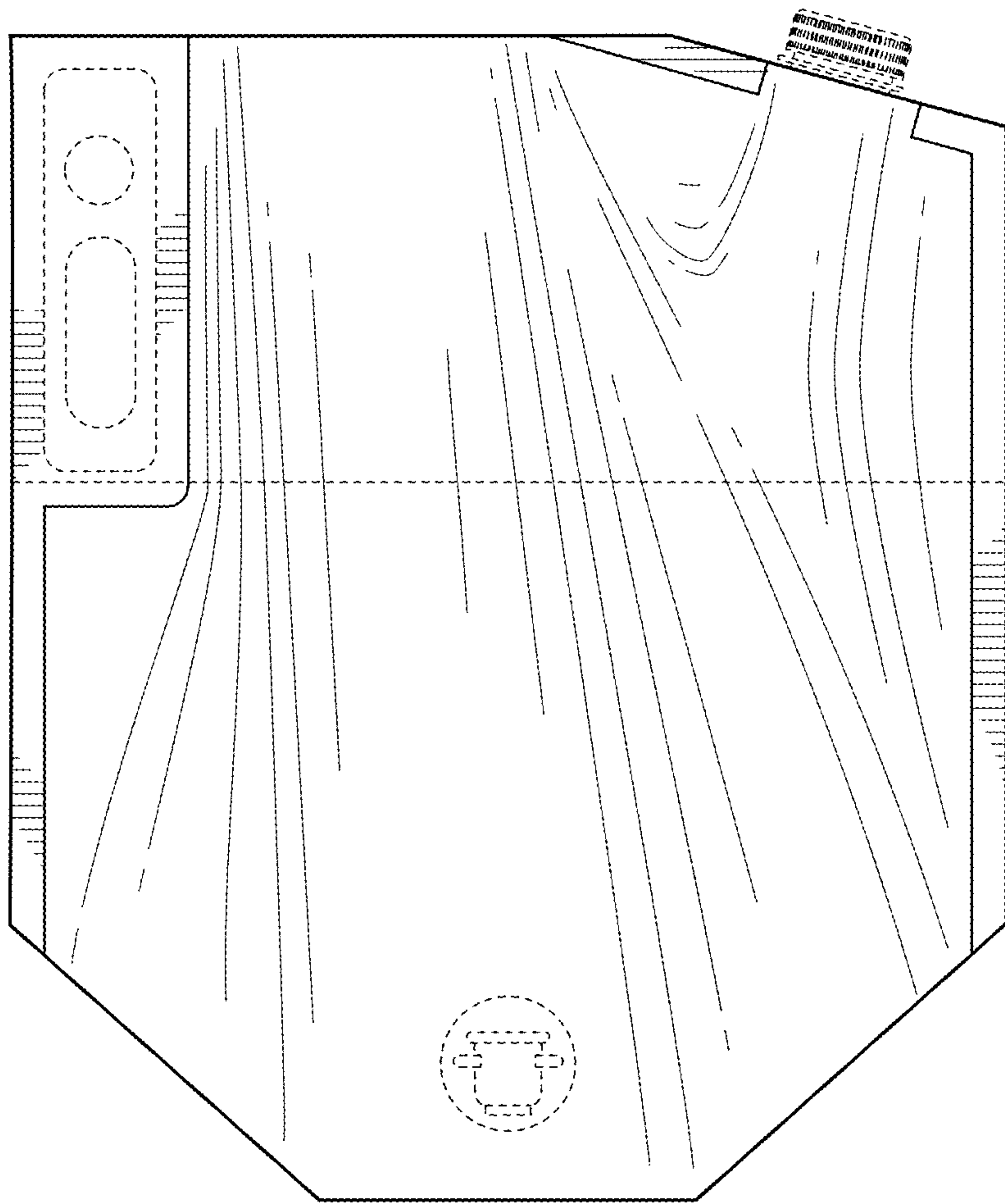


FIG. 2

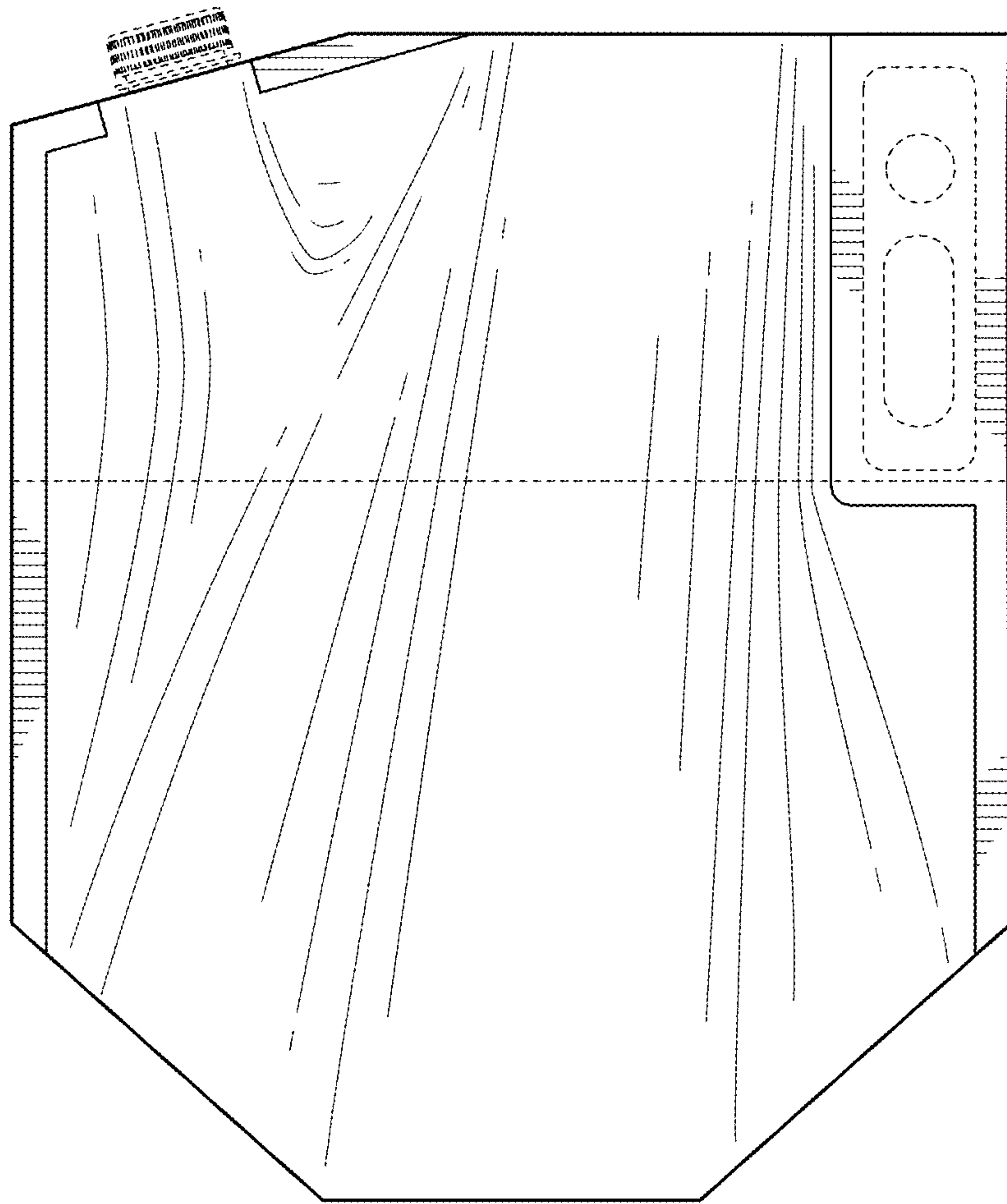


FIG. 3

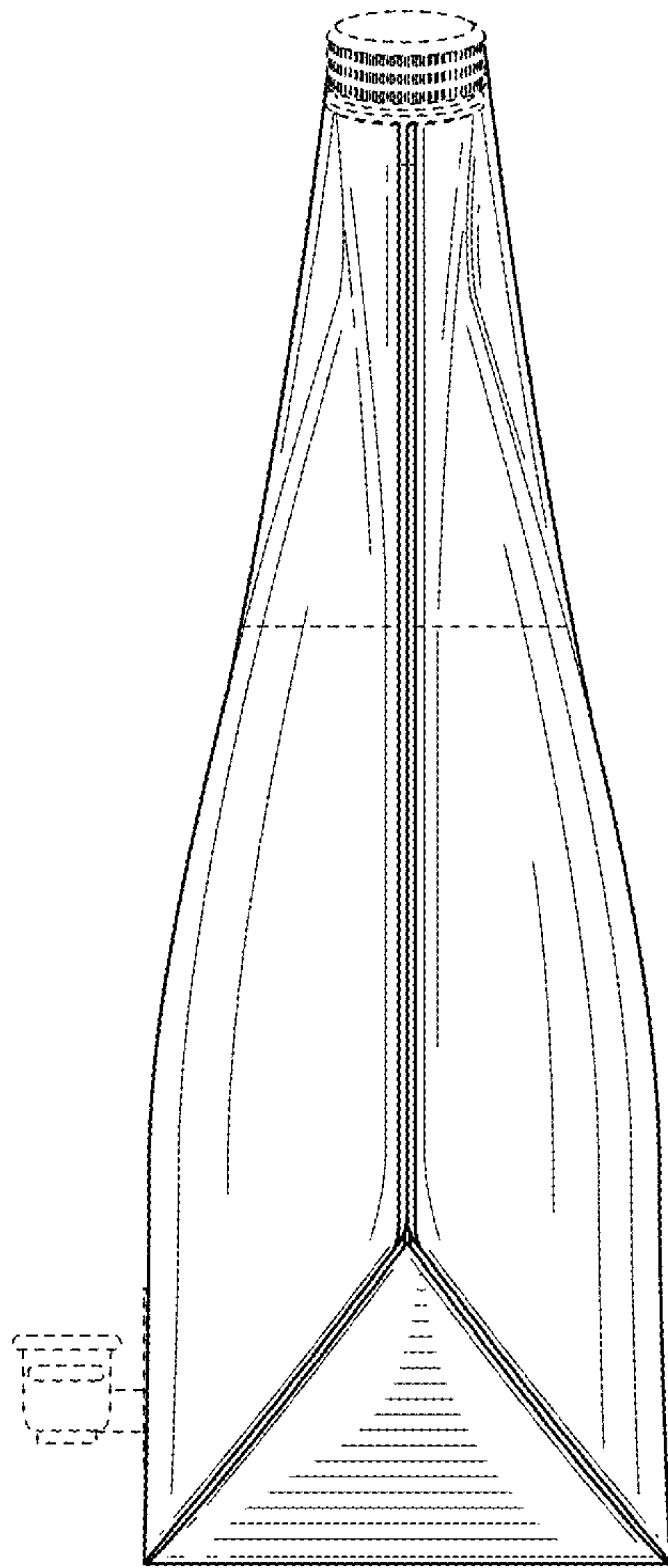


FIG. 4

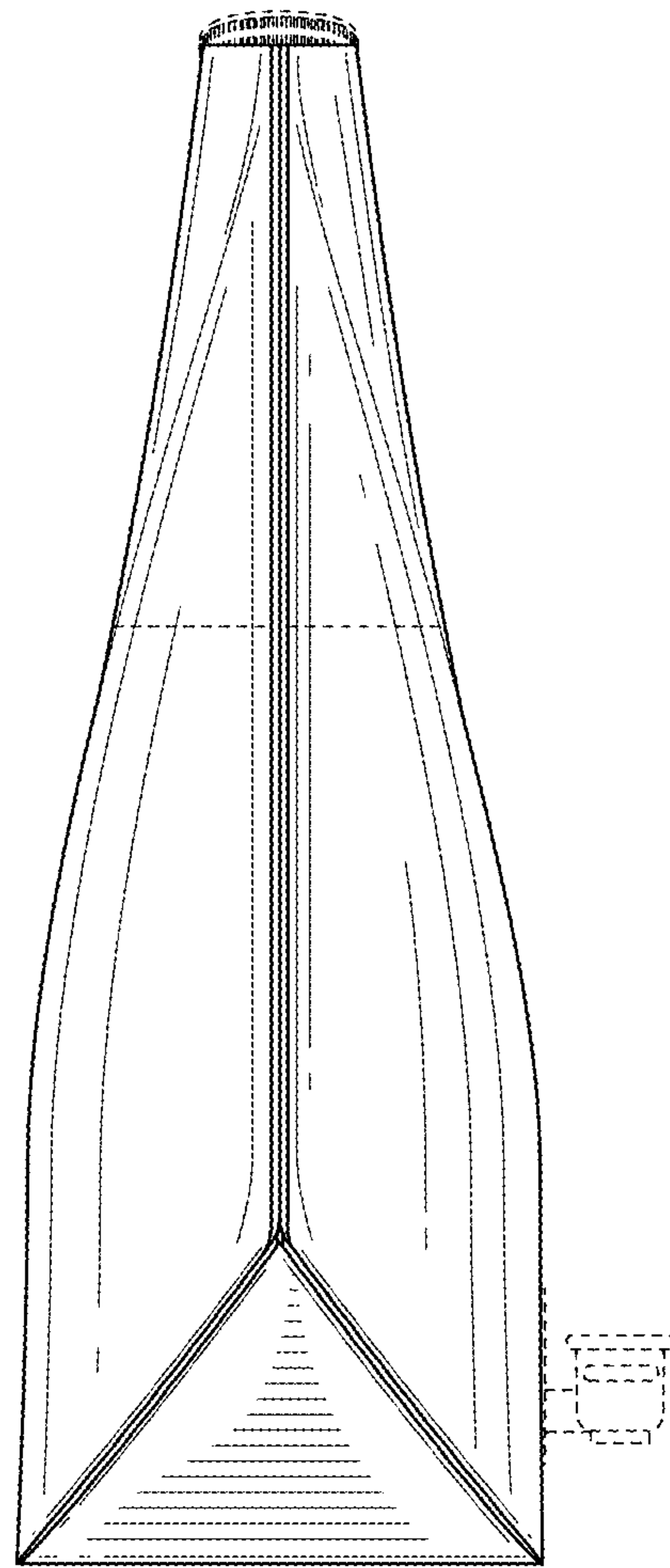


FIG. 5

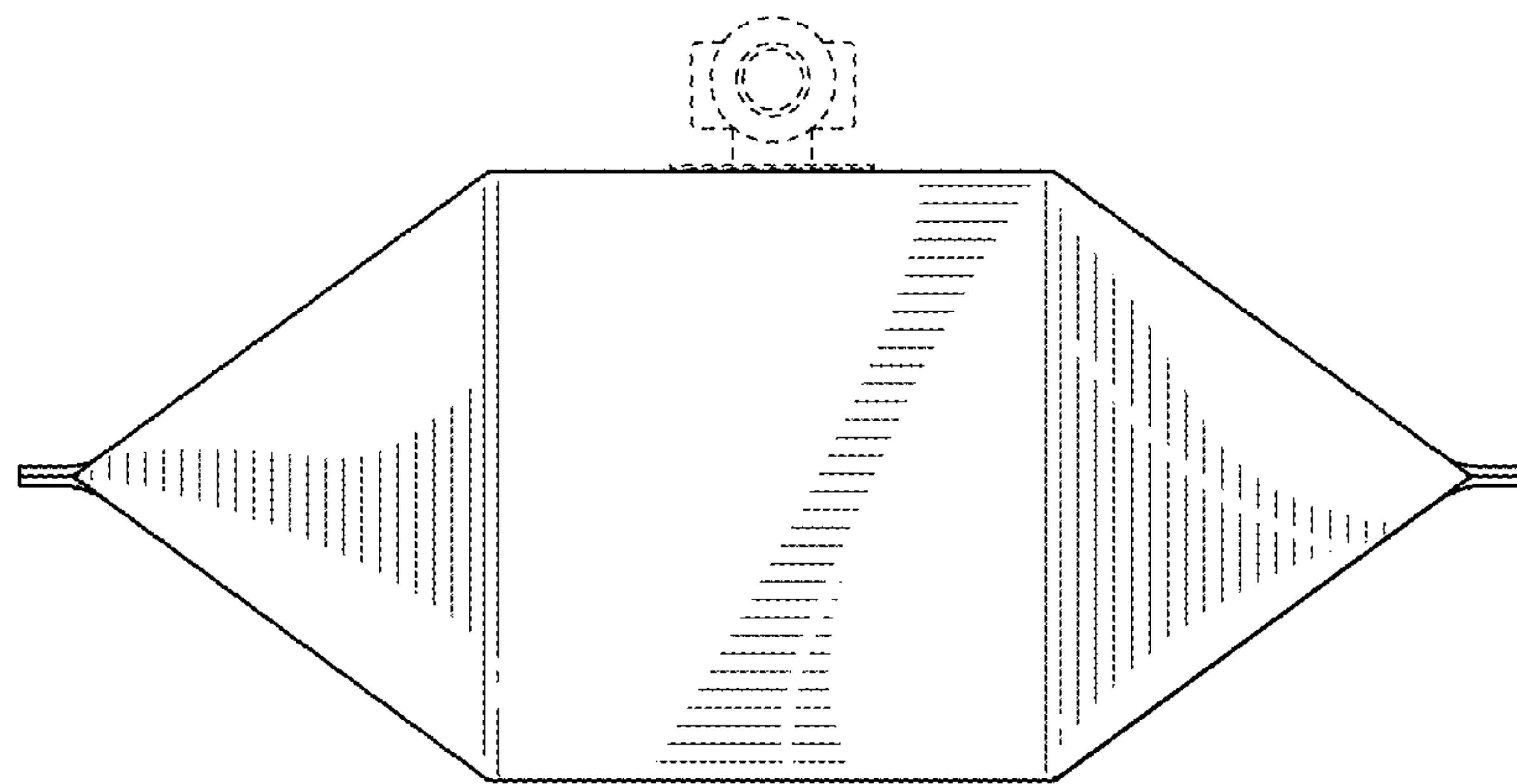


FIG. 6

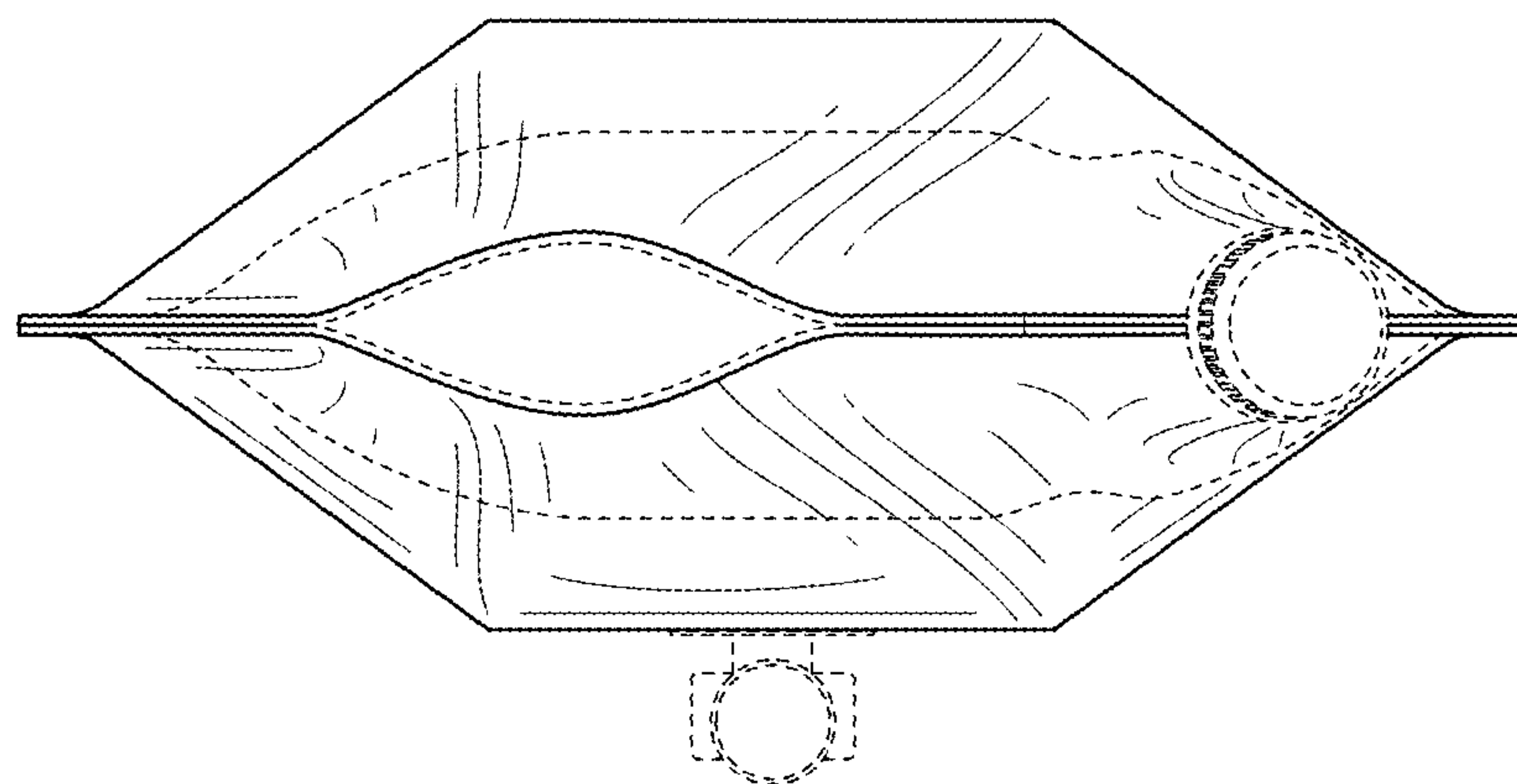


FIG. 7