



US00D785163S

(12) **United States Design Patent** (10) **Patent No.:** **US D785,163 S**  
**Nakamura et al.** (45) **Date of Patent:** **\*\* Apr. 25, 2017**

(54) **INJECTION TOOL**

(71) Applicant: **AbbVie Inc.**, North Chicago, IL (US)

(72) Inventors: **Kei Nakamura**, Fuchu (JP); **Junichi Yoshida**, Funabashi (JP)

(73) Assignee: **AbbVie Inc.**, North Chicago, IL (US)

(\*\*) Term: **15 Years**

(21) Appl. No.: **29/568,884**

(22) Filed: **Jun. 22, 2016**

**Related U.S. Application Data**

(63) Continuation of application No. 29/481,976, filed on Feb. 12, 2014, now Pat. No. Des. 760,891.

(51) **LOC (10) Cl.** ..... **24-02**

(52) **U.S. Cl.**  
USPC ..... **D24/114**

(58) **Field of Classification Search**  
USPC ..... D24/112-114, 108, 133, 130, 127, 186;  
606/181, 185; 604/264, 272, 187, 181,  
604/184, 227; D8/61, 67, 7  
CPC ..... A61M 5/20; A61M 5/2033; A61M  
2005/2006; A61M 2205/583; A61M  
2205/584; A61M 2205/60  
See application file for complete search history.

(56) **References Cited**

**U.S. PATENT DOCUMENTS**

D340,174 S \* 10/1993 Hoshino ..... D8/61  
D375,788 S \* 11/1996 Potts ..... D24/108  
D477,203 S \* 7/2003 Heun ..... D8/61

D495,226 S \* 8/2004 Grant ..... D8/61  
D531,871 S \* 11/2006 Etter ..... D8/67  
D546,654 S \* 7/2007 Etter ..... D8/67  
D588,428 S \* 3/2009 Etter ..... D8/67  
D625,802 S \* 10/2010 Choi ..... D24/133  
D643,271 S \* 8/2011 Okuda ..... D8/70  
D644,899 S \* 9/2011 Okuda ..... D8/70  
D644,900 S \* 9/2011 Okuda ..... D8/70  
D717,624 S \* 11/2014 Wenchel ..... D8/61  
2013/0085446 A1 \* 4/2013 Pellegrini ..... A61M 5/315  
604/111

\* cited by examiner

*Primary Examiner* — David Muller

*Assistant Examiner* — Nathan Johnston

(74) *Attorney, Agent, or Firm* — McCarter & English, LLP; David R. Burns

(57) **CLAIM**

The ornamental design for an injection tool, as shown and described.

**DESCRIPTION**

FIG. 1 is a top plan view showing our new design for an injection tool.

FIG. 2 is a bottom plan view thereof.

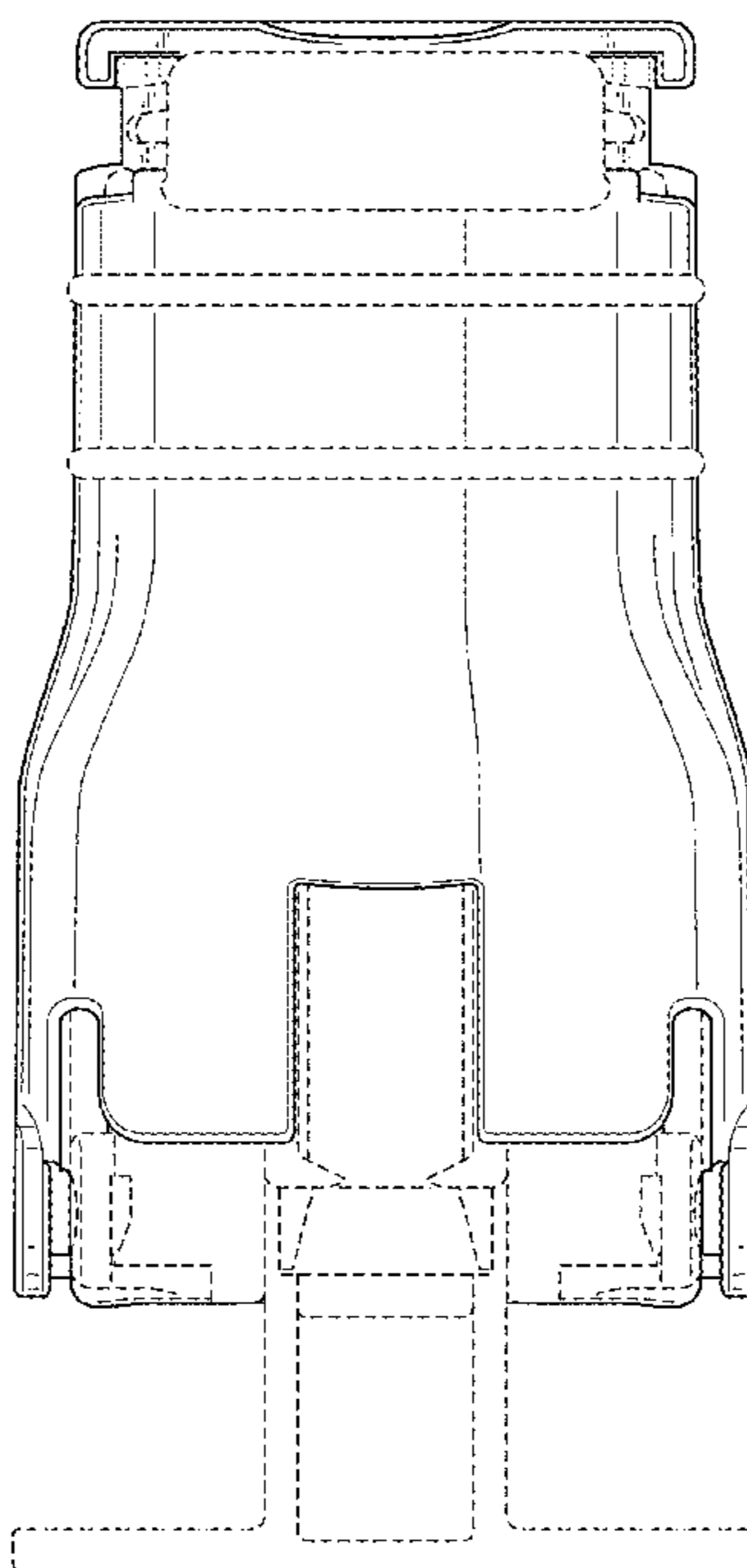
FIG. 3 is a right side elevation view thereof, the left side elevation view being a mirror image of the right side elevation view.

FIG. 4 is a front elevation view thereof; and,

FIG. 5 is a rear elevation view thereof.

The broken lines shown throughout these figures depict environmental subject matter only and form no part of the claimed design.

**1 Claim, 5 Drawing Sheets**



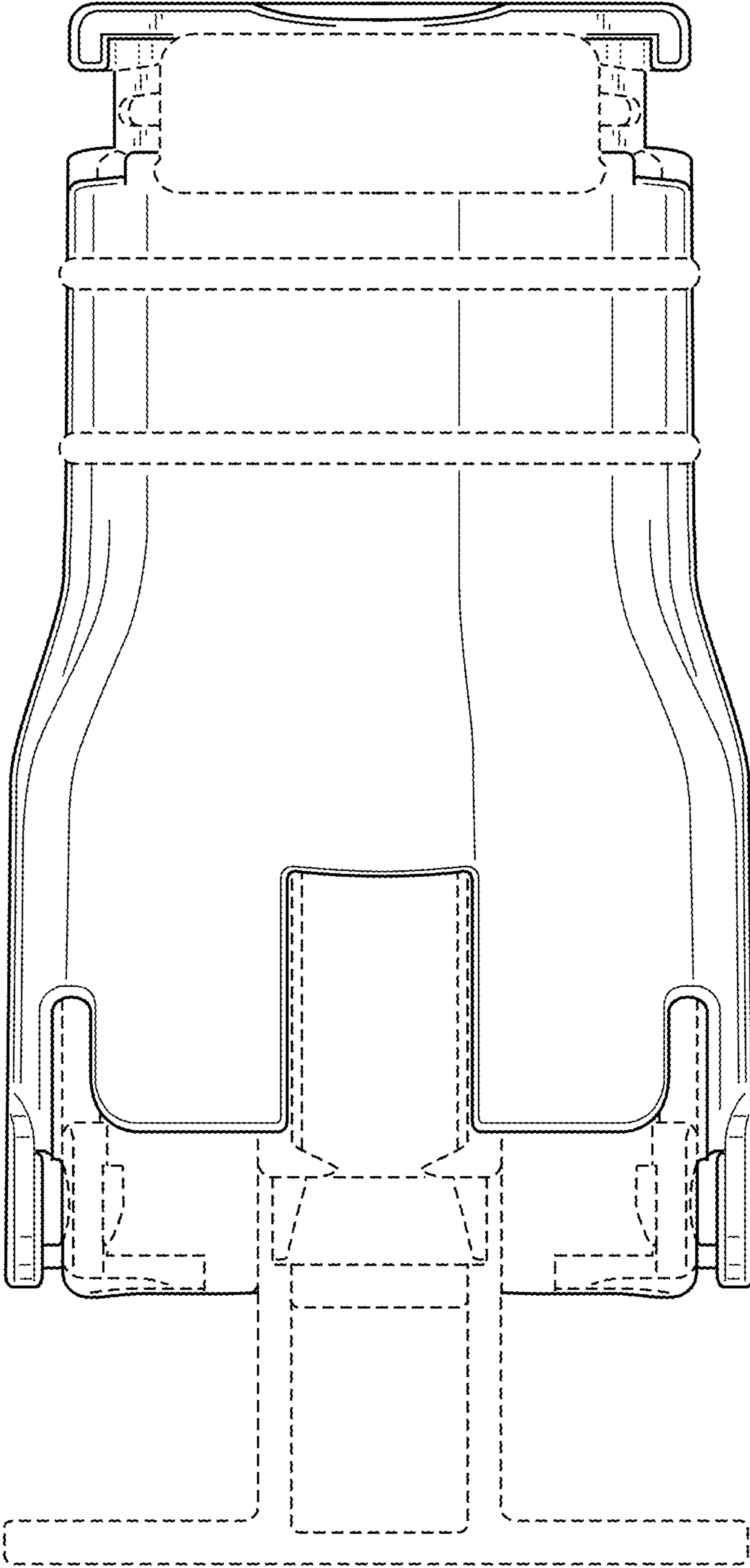


FIG. 1

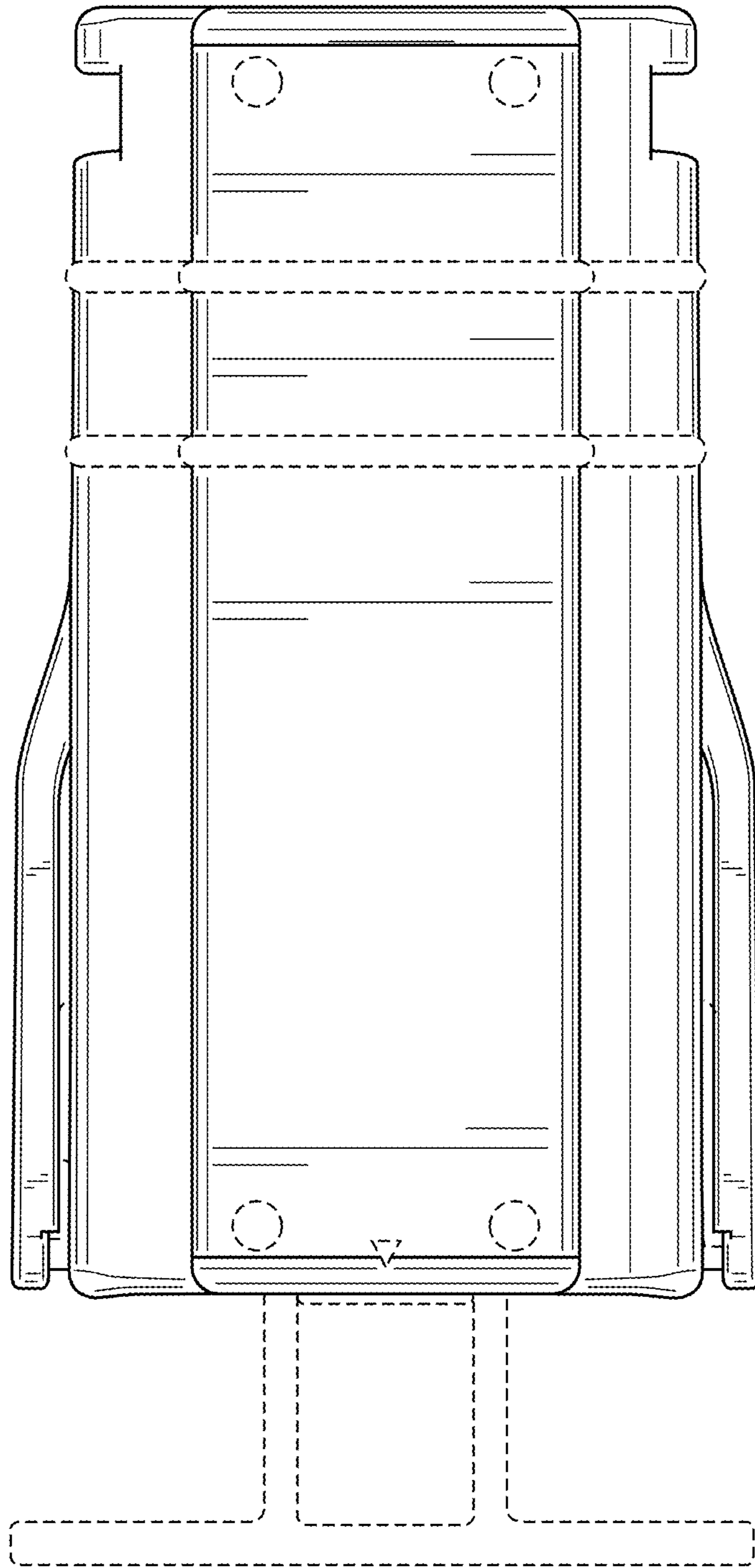


FIG. 2

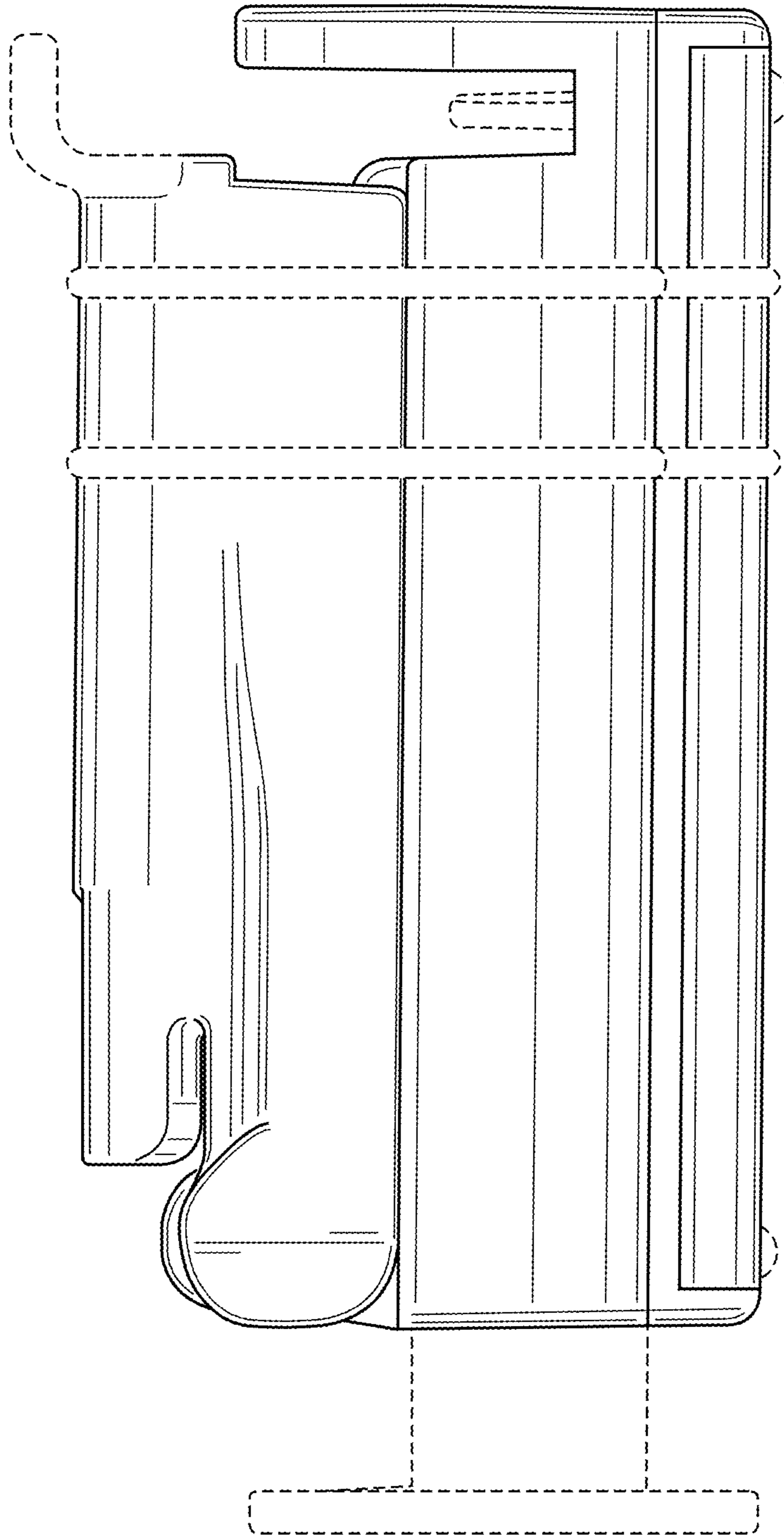


FIG. 3

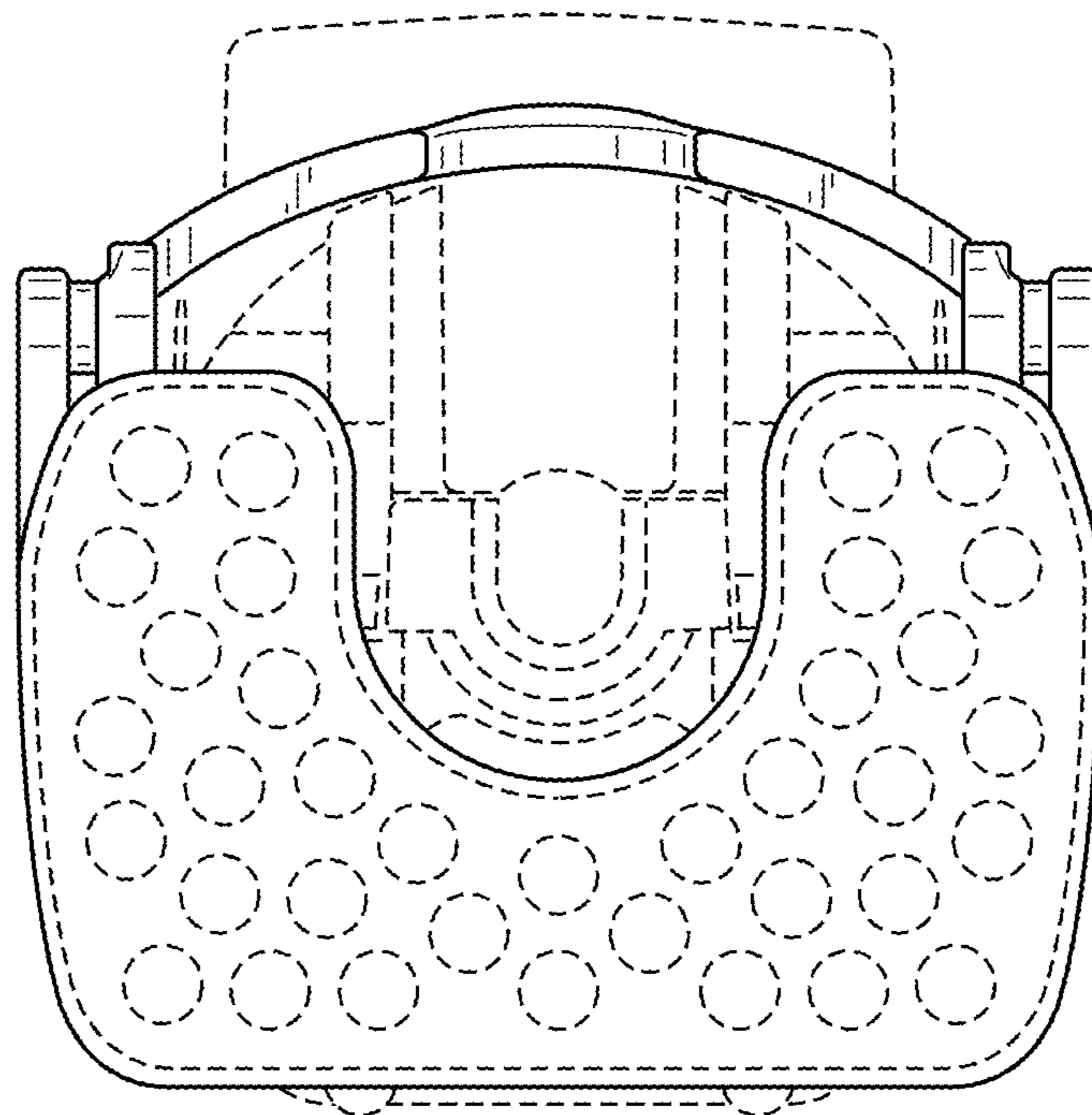


FIG. 4

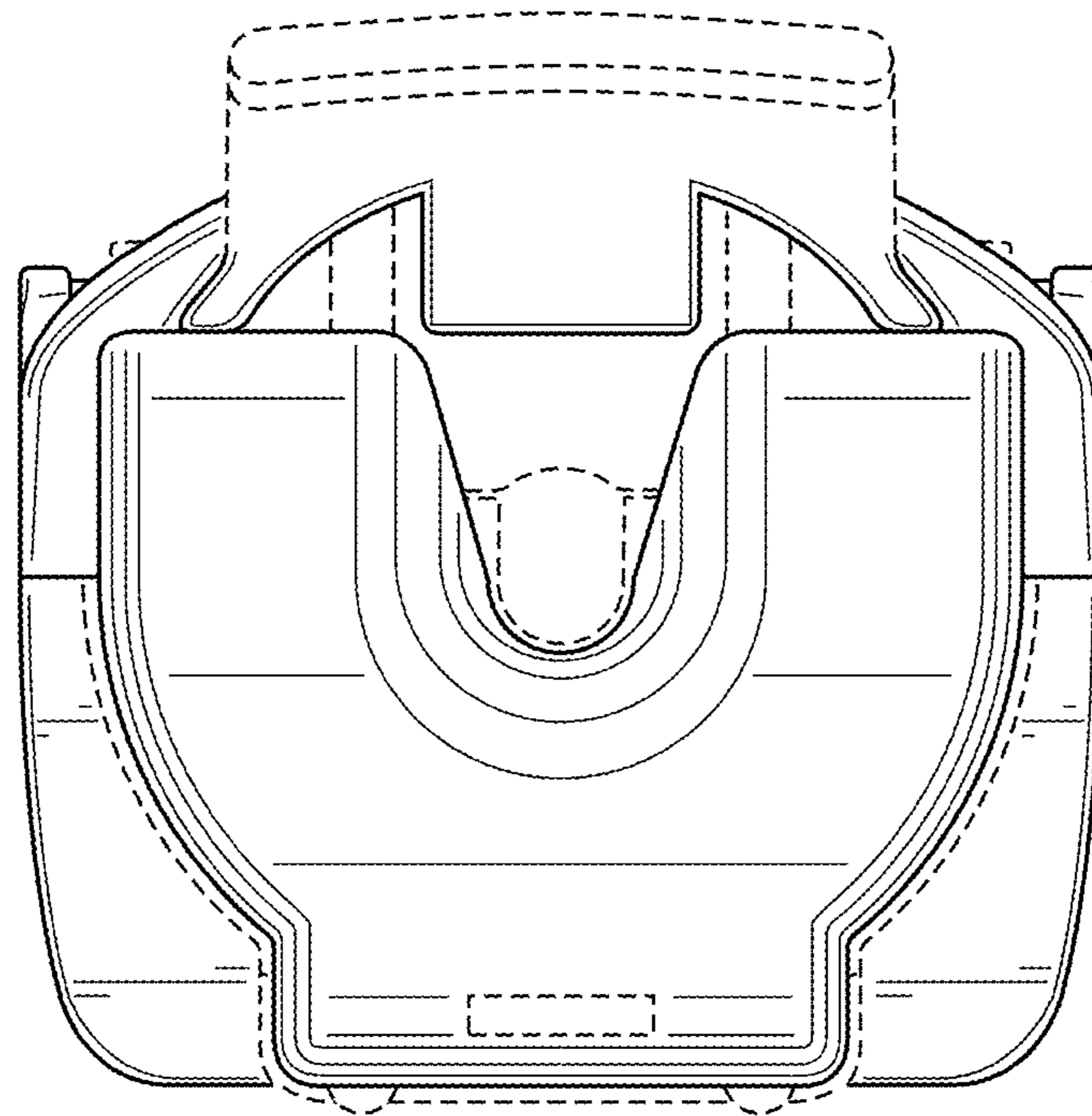


FIG. 5