



US00D785162S

(12) **United States Design Patent**
Swisher et al.

(10) **Patent No.:** **US D785,162 S**
(45) **Date of Patent:** **** Apr. 25, 2017**

(54) **ENTERAL FEEDING SYRINGE**

FOREIGN PATENT DOCUMENTS

(71) Applicant: **Covidien LP**, Mansfield, MA (US)
(72) Inventors: **David Rork Swisher**, St. Charles, MO (US); **Sandra Walker**, St. Charles, MO (US); **Timothy Eckenroth**, Manchester, MO (US)

EP 0462355 A1 12/1991
EP 0520618 A2 12/1992
(Continued)

(73) Assignee: **Covidien LP**, Mansfield, MA (US)

(**) Term: **15 Years**

(21) Appl. No.: **29/530,000**

(22) Filed: **Jun. 11, 2015**

(51) **LOC (10) Cl.** **24-02**

(52) **U.S. Cl.**
USPC **D24/114**

(58) **Field of Classification Search**
USPC D24/112–114, 108, 133, 130, 127, 186;
606/181, 185; 604/264, 272, 187, 181,
604/184, 227
CPC A61M 5/178; A61M 3/00; A61M 5/20;
A61M 5/31; A61M 5/3146; A61M
5/3129; A61M 5/3148; A61M 5/315
See application file for complete search history.

OTHER PUBLICATIONS

American National Standard Institute, “Small-bore connectors for liquids and gases in healthcare applications—Part 3: Connectors for enteral applications”, Published by Association for the Advancement of Medical Instrumentation 4301 N. Fairfax Drive, Suite 301 Arlington, VA 22203-1633 www.aami.org, © ISO/IEC 2013—All rights reserved, AAMI/ISO 80369-3, 43 pages.
(Continued)

Primary Examiner — David Muller
(74) *Attorney, Agent, or Firm* — Blaine A. Page, Esq.

(57) **CLAIM**

The ornamental design for an enteral feeding syringe, as shown and described.

DESCRIPTION

FIG. 1 is a perspective view of an enteral feeding syringe; FIG. 2 is a front view thereof; FIG. 3 is a top plan view thereof, the bottom plan view being identical to the top plan view; FIG. 4 is a rear view thereof; and FIG. 5 is a right side view thereof; and, FIG. 6 is a left side view thereof. The broken line showing of parts of the drawings is included for the purpose of illustrating use and environment and forms no part of the claimed design. The syringe is shown with a symbolic break in its length. The appearance of any portion of the article between the break lines forms no part of the claimed design.

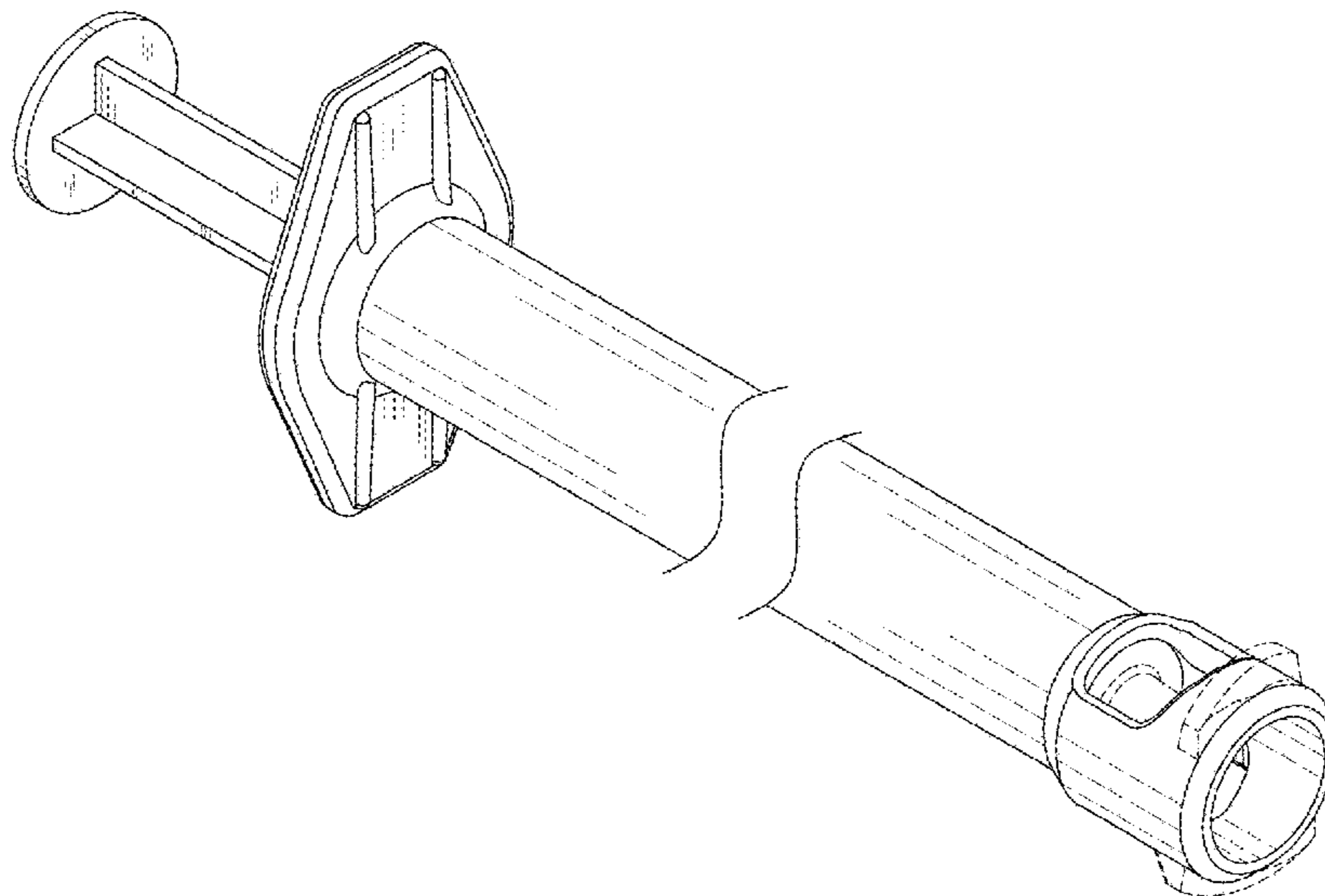
(56) **References Cited**

U.S. PATENT DOCUMENTS

4,390,017 A 6/1983 Harrison et al.
5,113,571 A 5/1992 Manska
5,312,377 A 5/1994 Dalton
D401,325 S * 11/1998 Hjertman D24/114
6,699,233 B2 3/2004 Slanda et al.
6,736,799 B1 * 5/2004 Erbe A61B 17/8816
604/181
D543,278 S * 5/2007 Numata D24/114
D578,210 S * 10/2008 Muta D24/114
8,016,809 B2 9/2011 Zinger et al.
8,287,518 B2 10/2012 Kitani et al.

(Continued)

1 Claim, 5 Drawing Sheets



(56)

References Cited

U.S. PATENT DOCUMENTS

8,348,902 B2 1/2013 Sugita et al.
 8,454,564 B2* 6/2013 Deppisch A61M 25/00
 604/110
 8,479,370 B2 7/2013 Grant
 8,628,509 B2 1/2014 Kropczynski, Jr. et al.
 D729,931 S * 5/2015 Takeuchi D24/114
 D733,870 S * 7/2015 Broyles D24/114
 D739,524 S * 9/2015 Zemel D24/114
 D739,933 S * 9/2015 Ettlin D24/114
 D741,476 S * 10/2015 Hiraoka D24/114
 D743,025 S * 11/2015 Berler D24/114
 D747,797 S * 1/2016 Fourt D24/114
 D754,331 S * 4/2016 Wargner D24/112
 2006/0033334 A1 2/2006 Weber et al.
 2006/0047251 A1 3/2006 Bickford Smith et al.
 2006/0106349 A1 5/2006 Kito et al.
 2007/0076401 A1 4/2007 Carrez et al.

2007/0129705 A1 6/2007 Trombley, III et al.
 2008/0045929 A1 2/2008 Birnbach
 2008/0140055 A1 6/2008 Shirley
 2012/0150129 A1 6/2012 Jin et al.
 2012/0245564 A1 9/2012 Tekeste et al.
 2012/0330238 A1 12/2012 Robert et al.

FOREIGN PATENT DOCUMENTS

WO 91-05581 A1 5/1991
 WO 2007-103998 A2 9/2007
 WO 2007-131086 A2 11/2007

OTHER PUBLICATIONS

PCT Notification of Transmittal of the International Search Report and the Written Opinion dated Sep. 6, 2016 in related international application PCT/US2016/036306, 13 pages.

* cited by examiner

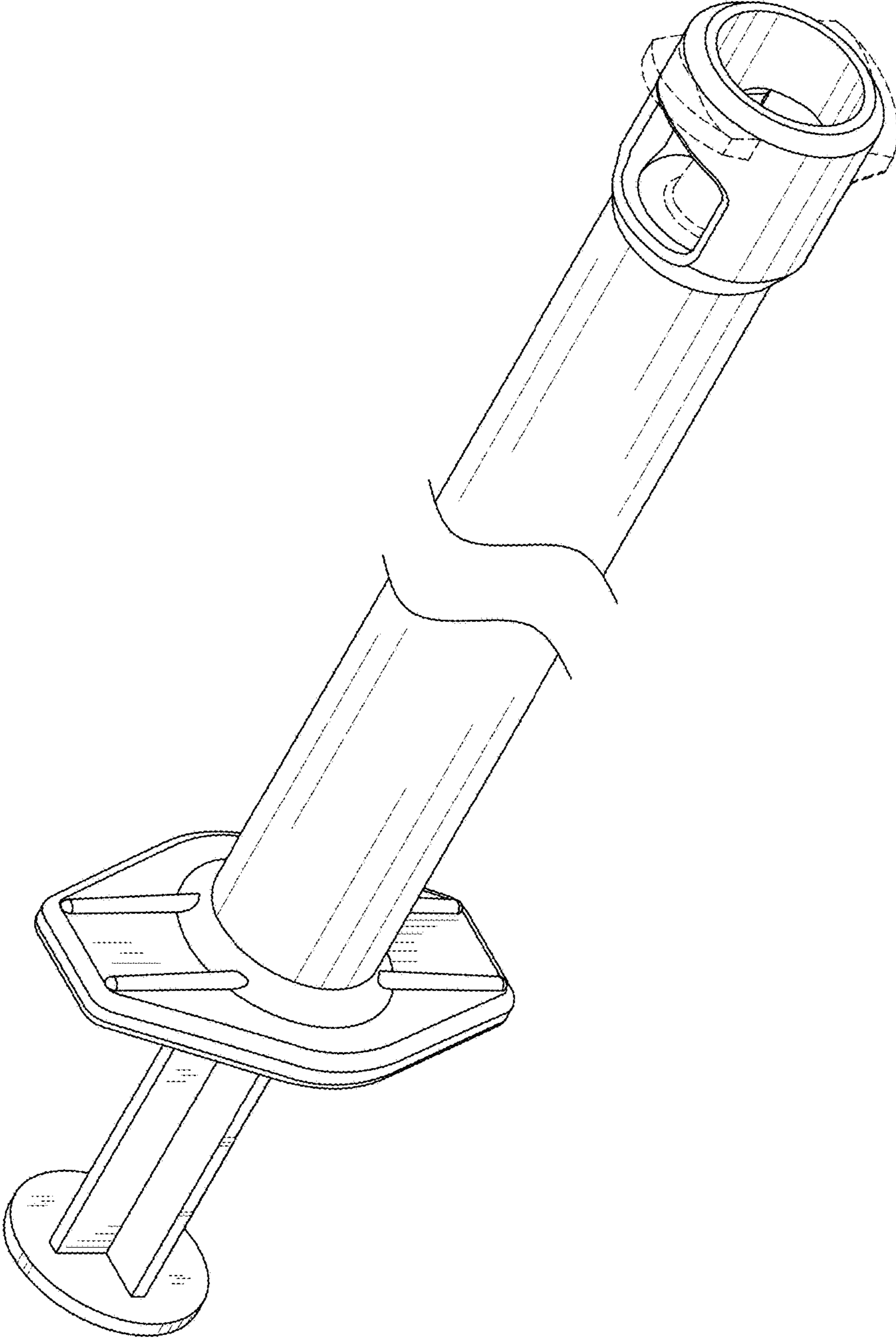


FIG. 1

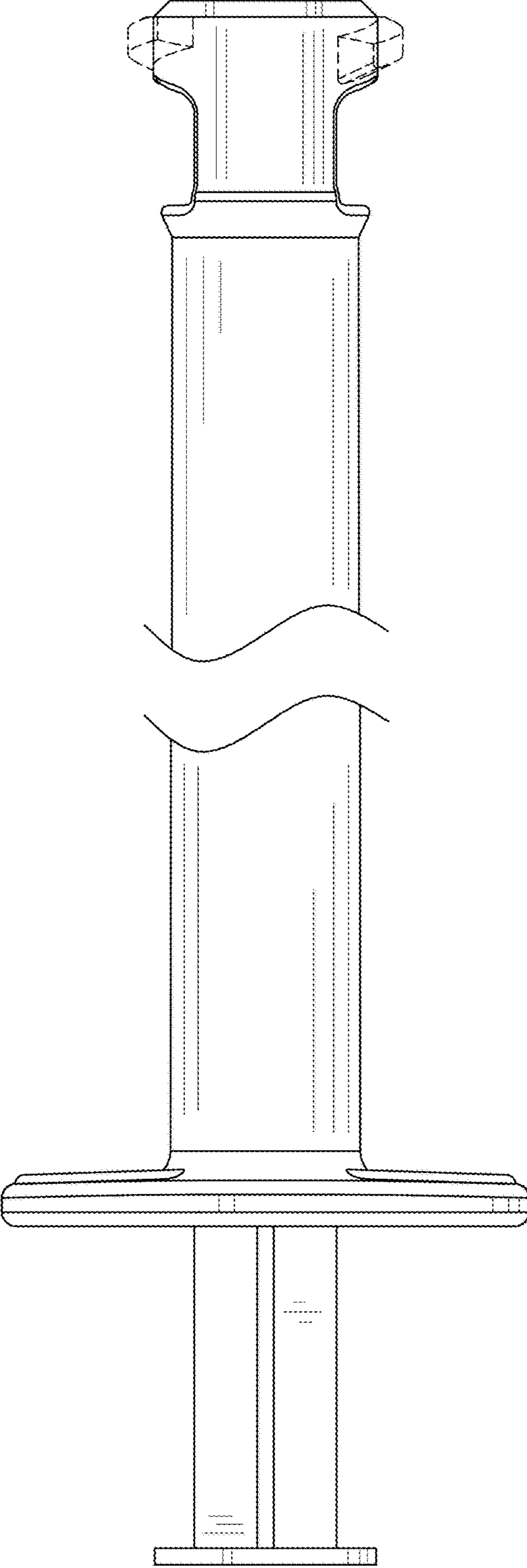


FIG. 2

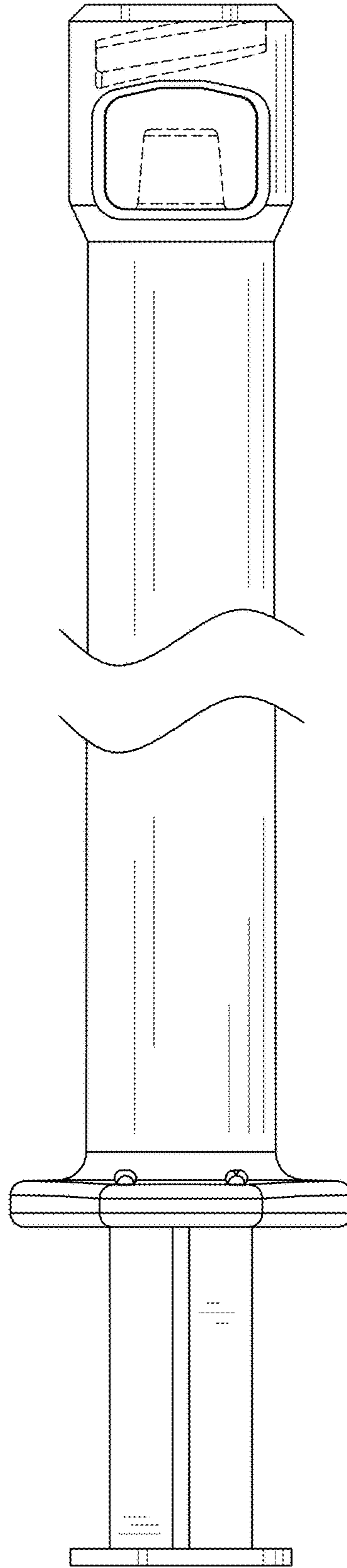


FIG. 3

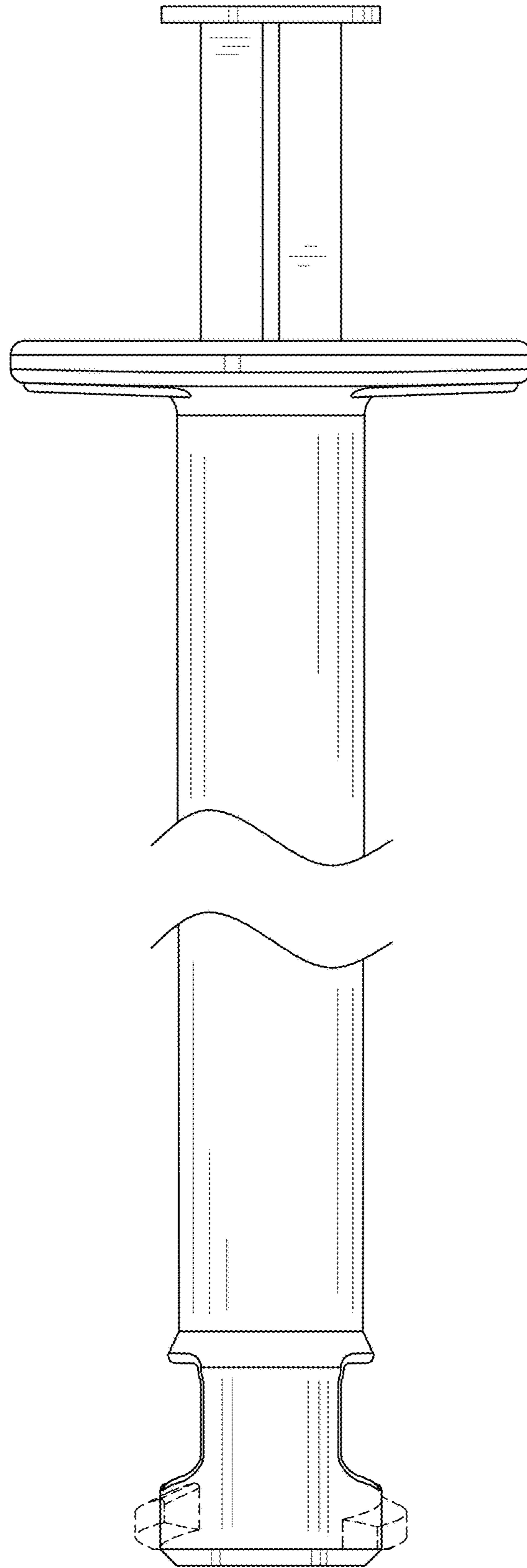


FIG. 4

FIG. 5

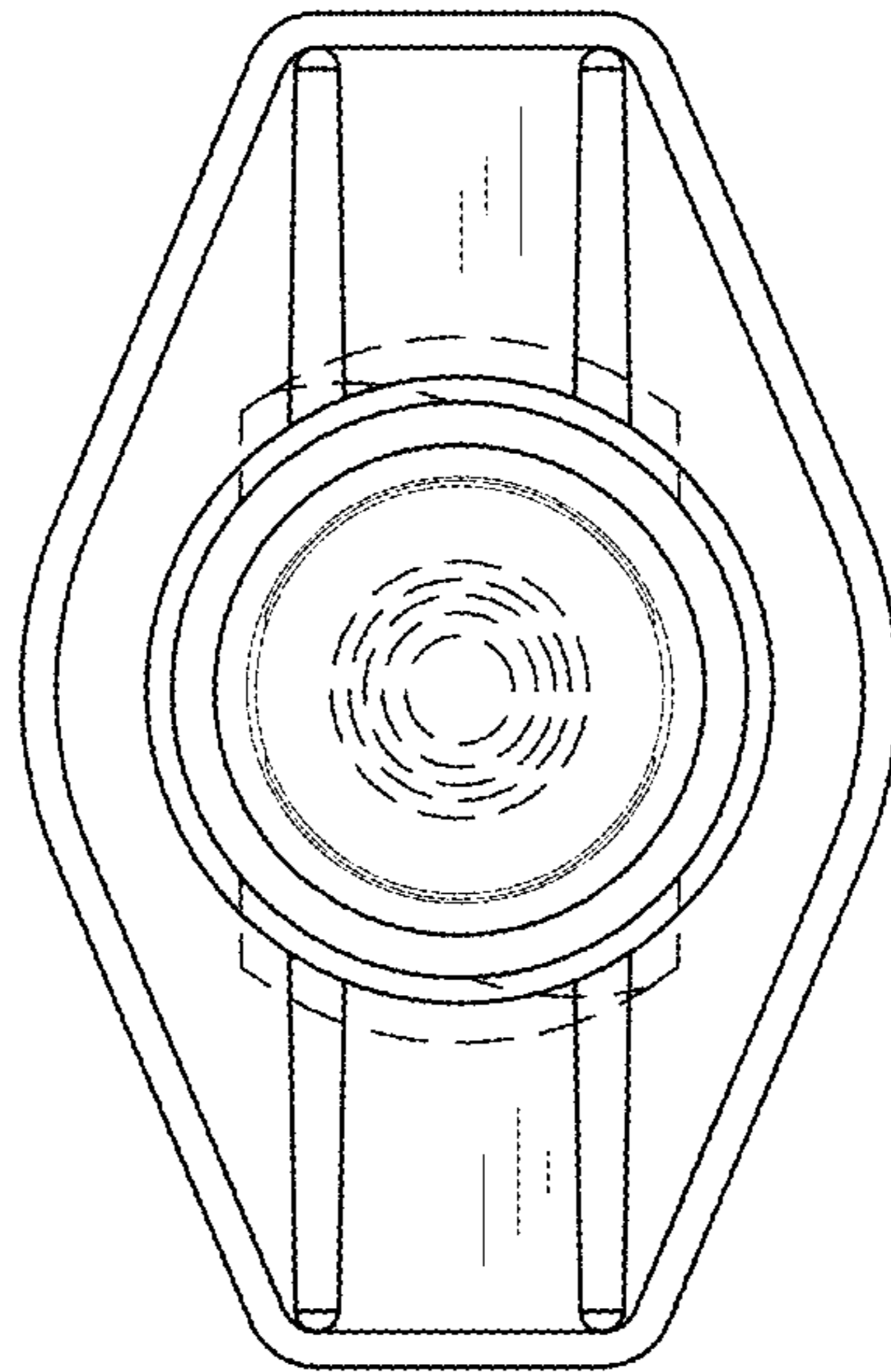


FIG. 6

