



US00D785161S

(12) **United States Design Patent**
Dravitzki et al.

(10) **Patent No.:** **US D785,161 S**
(45) **Date of Patent:** **** Apr. 25, 2017**

(54) **ELBOW COMPONENT FOR RESPIRATORY MASK**

(71) Applicant: **RESMED LIMITED**, Bella Vista, New South Wales (AU)

(72) Inventors: **Brent James Dravitzki**, Sydney (AU); **Angelene Marie Ozolins**, Sydney (AU); **Robert Thomas Burnham**, Sydney (AU); **Lemmy Nga**, Sydney (AU)

(73) Assignee: **ResMed Limited**, Bella Vista (AU)

(**) Term: **15 Years**

(21) Appl. No.: **29/538,732**

(22) Filed: **Sep. 8, 2015**

Related U.S. Application Data

(60) Division of application No. 29/506,186, filed on Oct. 14, 2014, now Pat. No. Des. 740,934, which is a continuation of application No. 29/471,497, filed on Nov. 1, 2013, which is a division of application No. (Continued)

(51) **LOC (10) Cl.** **29-02**

(52) **U.S. Cl.**
USPC **D24/110.4; D24/110.5; D24/127**

(58) **Field of Classification Search**
USPC **D24/110-110.6, 127, 164**
CPC **A61M 16/0622; A61M 16/0616; A61M 16/0816; A61M 16/08; A61M 16/0633; A61M 16/06; A61M 16/0666; A61M 16/0683**

See application file for complete search history.

(56) **References Cited**

U.S. PATENT DOCUMENTS

5,191,882 A 3/1993 Vogliano
D383,204 S 9/1997 Lomas
5,785,058 A 7/1998 Reynolds

(Continued)

OTHER PUBLICATIONS

Parent; U.S. Appl. No. 29/506,186, filed Oct. 14, 2014; Formica et al.
U.S. Appl. No. 29/506,186, filed Nov. 1, 2013; Formica et al.

Primary Examiner — Barbara Fox
Assistant Examiner — Lilyana Bekic

(74) *Attorney, Agent, or Firm* — Nixon & Vanderhye P.C.

(57) **CLAIM**

The ornamental design for an elbow component for respiratory mask, as shown and described.

DESCRIPTION

FIG. 1 is a perspective view of an elbow component for respiratory mask according to a first embodiment of our design;

FIG. 2 is a front view thereof;

FIG. 3 is a rear view thereof;

FIG. 4 is a top view thereof;

FIG. 5 is a bottom view thereof;

FIG. 6 is a left side view thereof with the right side view thereof being a mirror image thereof;

FIG. 7 is a perspective view of an elbow component for respiratory mask according to a second embodiment of our design;

FIG. 8 is a front view thereof;

FIG. 9 is a rear view thereof;

FIG. 10 is a top view thereof;

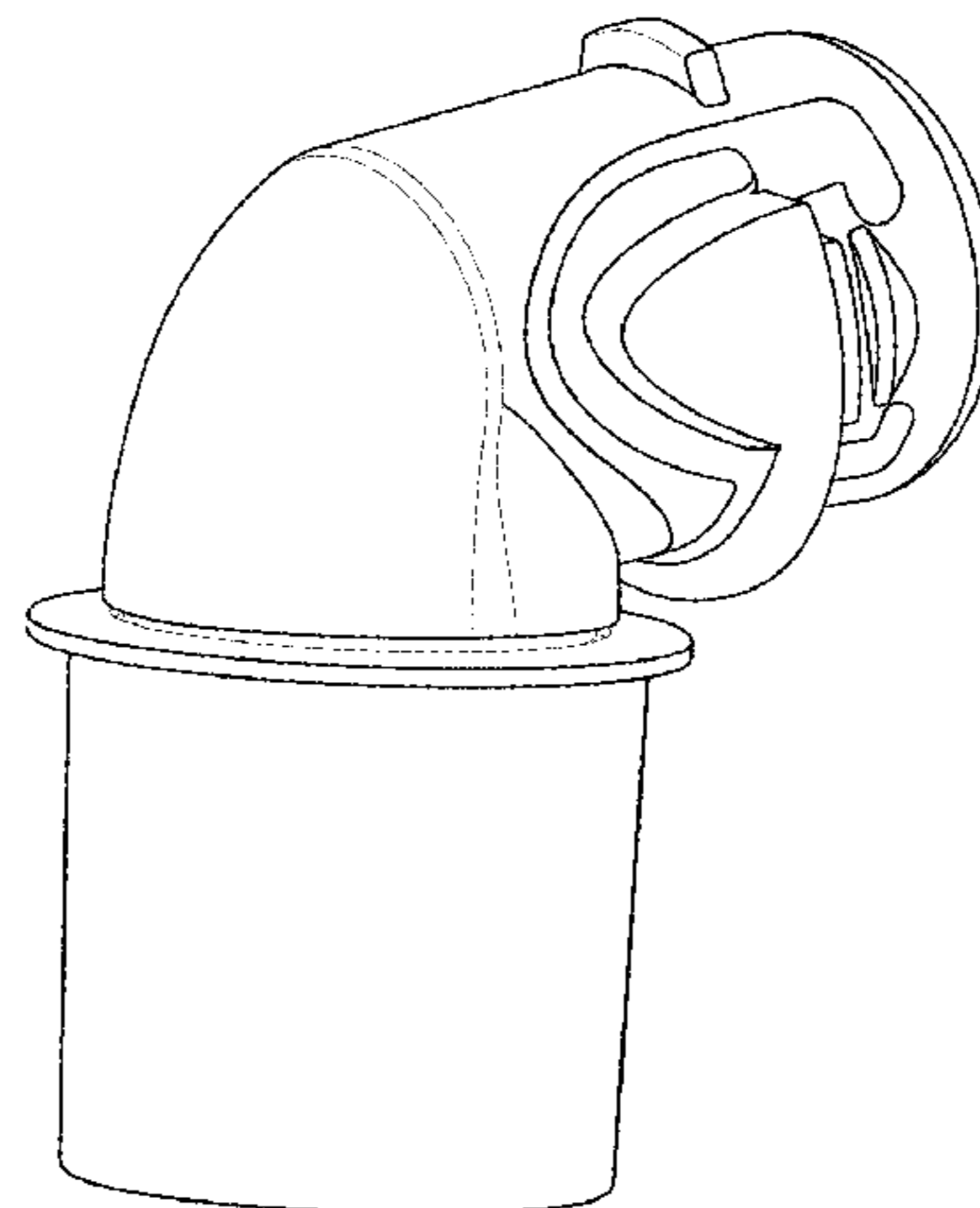
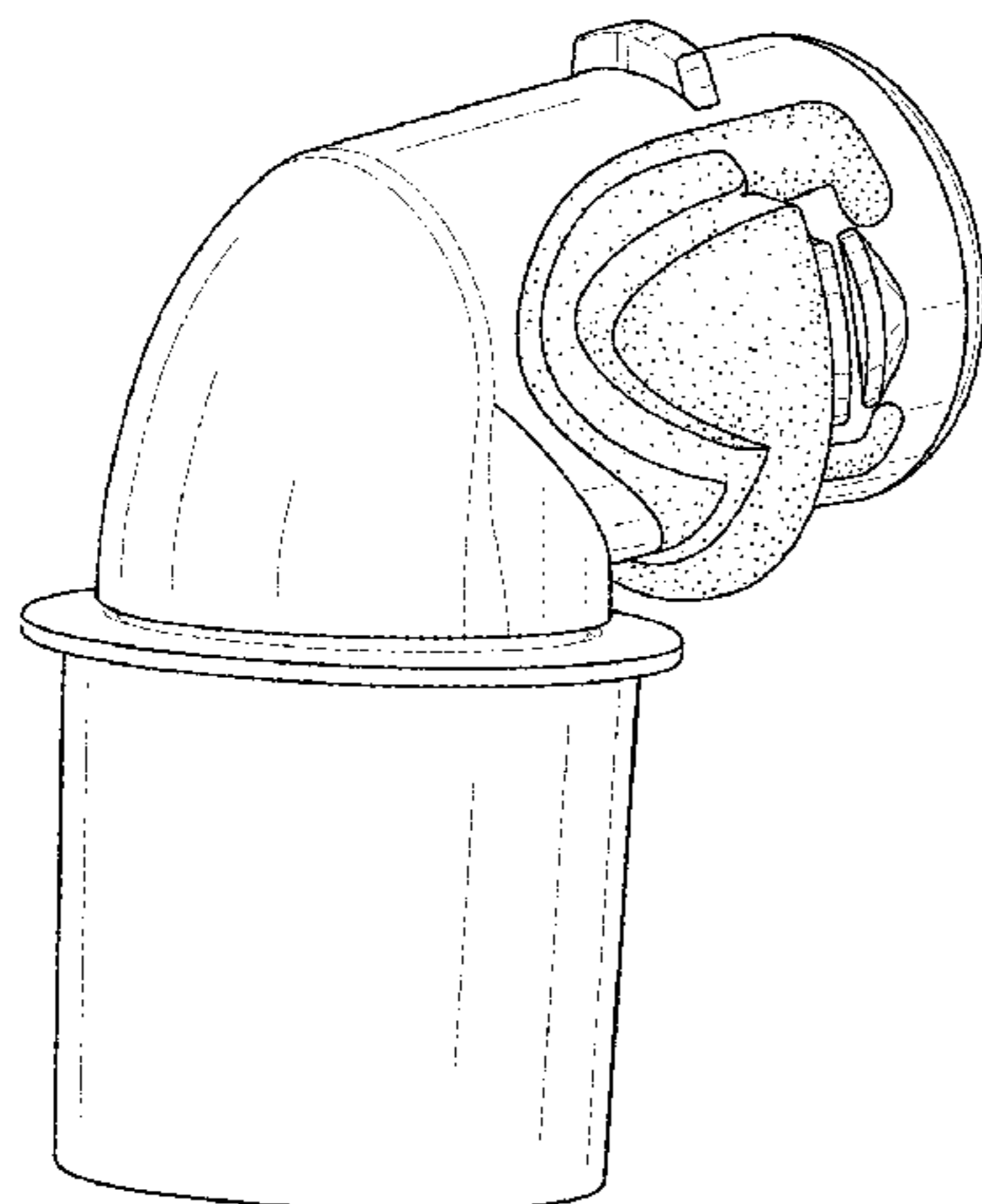
FIG. 11 is a bottom view thereof; and,

FIG. 12 is a left side view thereof with the right side view thereof being a mirror image thereof.

The broken lines in the drawings illustrate portions of the elbow component for respiratory mask that form no part of the claimed design.

Stippling and line shading have been used in the drawings to indicate a contrast in appearance.

1 Claim, 4 Drawing Sheets



US D785,161 S

Page 2

Related U.S. Application Data

29/371,008, filed on Sep. 10, 2010, now Pat. No. Des. 695,887.

(56)

References Cited

U.S. PATENT DOCUMENTS

6,119,694 A 9/2000 Correa et al.
D433,127 S 10/2000 Gazzara
D440,652 S 4/2001 Pollard
6,422,238 B1 7/2002 Lithgow
D496,098 S * 9/2004 Guney D24/110.1
D532,511 S 11/2006 Amarasinghe
7,509,958 B2 3/2009 Amarasinghe et al.
D637,283 S * 5/2011 Selvarajan D24/110.1
8,393,327 B2 3/2013 Omura et al.
8,517,023 B2 8/2013 Henry
8,522,784 B2 9/2013 Ng et al.
D695,887 S 12/2013 Ozolins et al.
8,695,601 B2 4/2014 Hitchcock et al.
D751,188 S * 3/2016 Skipper D24/110.4
2002/0023650 A1 * 2/2002 Gunaratnam A61M 16/06
128/205.25
2002/0026934 A1 3/2002 Lithgow et al.
2002/0174868 A1 11/2002 Kwok et al.
2004/0065328 A1 4/2004 Amarasinghe et al.
2004/0065330 A1 4/2004 Landis
2004/0118406 A1 * 6/2004 Lithgow A61M 16/06
128/206.24

2006/0266365 A1 * 11/2006 Stallard A61M 16/06
128/207.13
2006/0283461 A1 12/2006 Lubke et al.
2007/0125385 A1 * 6/2007 Ho A61M 16/06
128/206.26
2008/0047561 A1 * 2/2008 Fu A61M 16/08
128/207.12
2008/0083412 A1 * 4/2008 Henry A61M 16/0683
128/207.11
2009/0173343 A1 7/2009 Omura et al.
2010/0006101 A1 1/2010 Mcauley et al.
2010/0031963 A1 2/2010 Lee et al.
2012/0055478 A1 3/2012 Wilkinson
2012/0138063 A1 6/2012 Eves et al.
2014/0130803 A1 5/2014 Feldhahn et al.
2014/0261422 A1 * 9/2014 Lang A61M 16/0051
128/204.21
2014/0261427 A1 * 9/2014 Foote A61M 16/0069
128/204.23
2014/0264975 A1 * 9/2014 Bath A61M 16/0051
261/141
2015/0059755 A1 * 3/2015 Bassin A61B 5/4818
128/204.23
2015/0128941 A1 * 5/2015 Holley A61M 16/0051
128/203.14
2016/0239626 A1 * 8/2016 Buckley A61M 16/00
2016/0256660 A1 * 9/2016 Austin A61M 16/0627

* cited by examiner

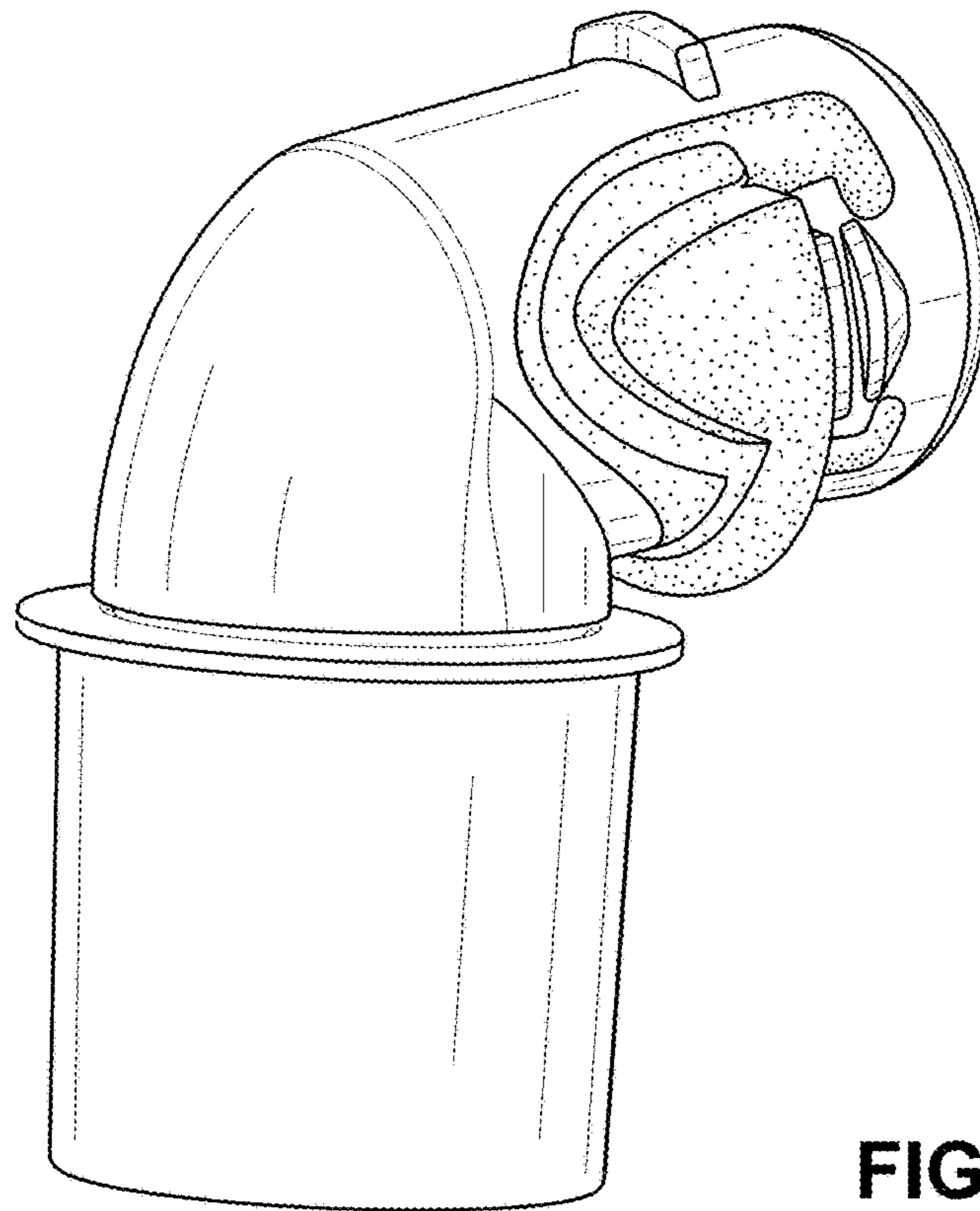


FIG. 1

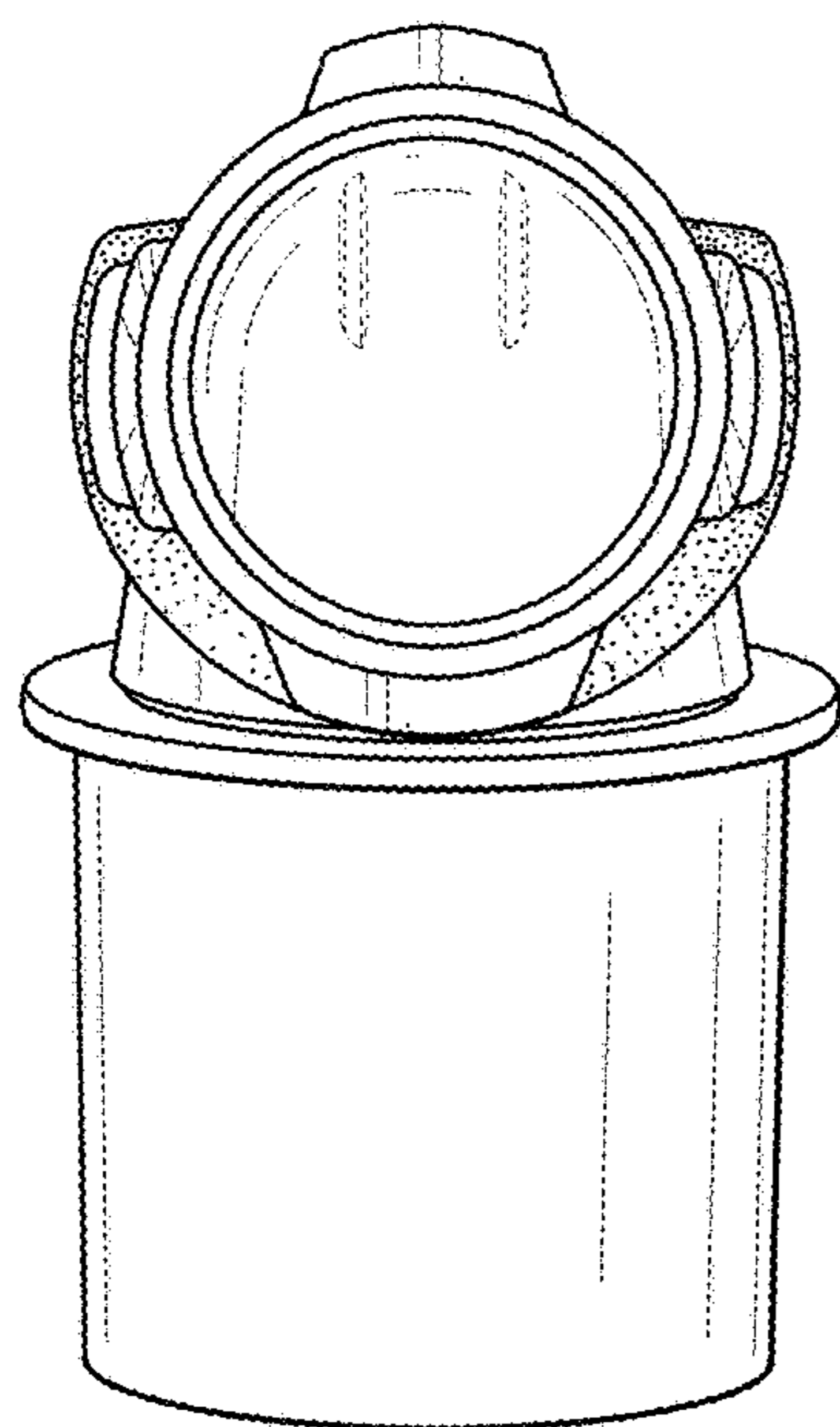


FIG. 2

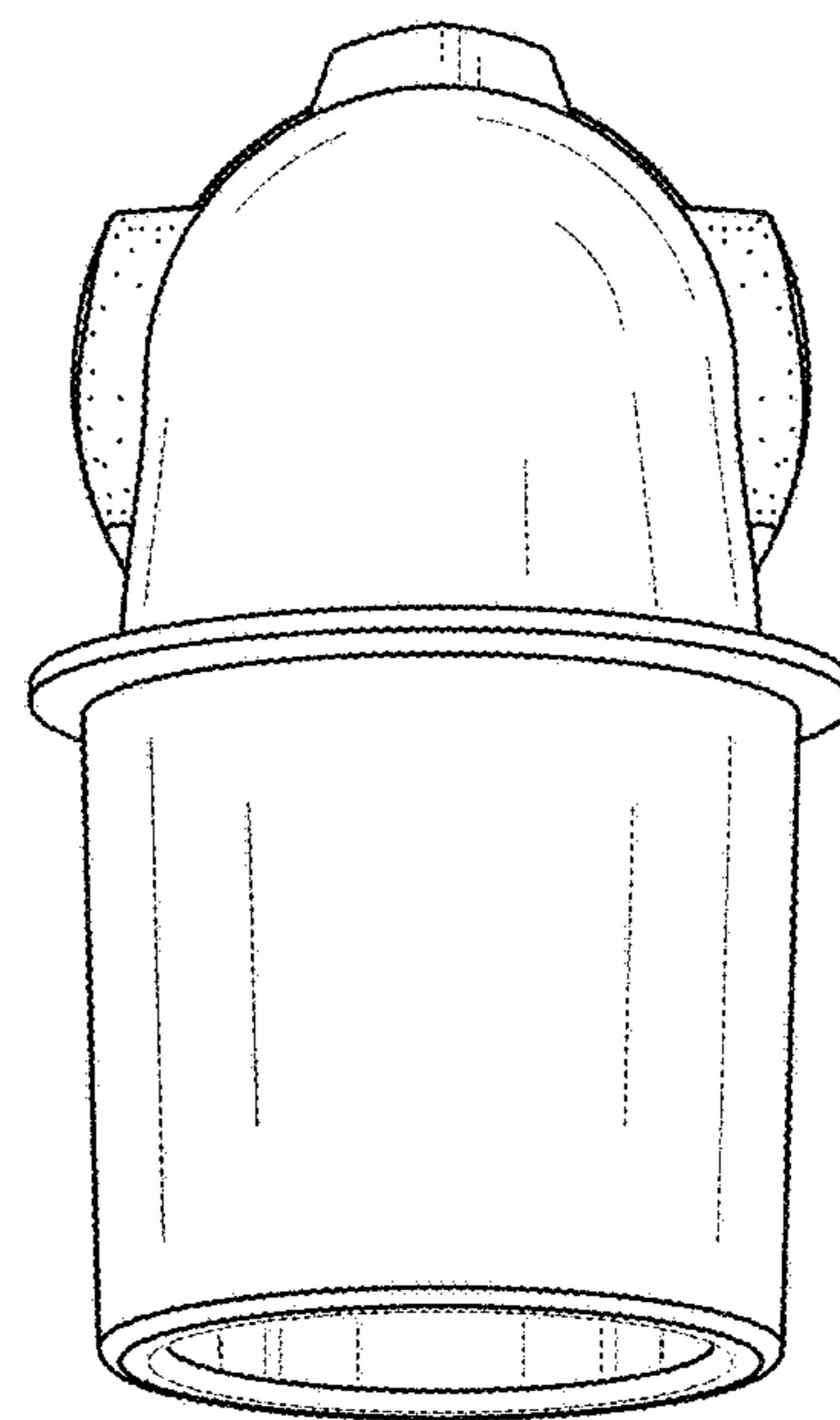


FIG. 3

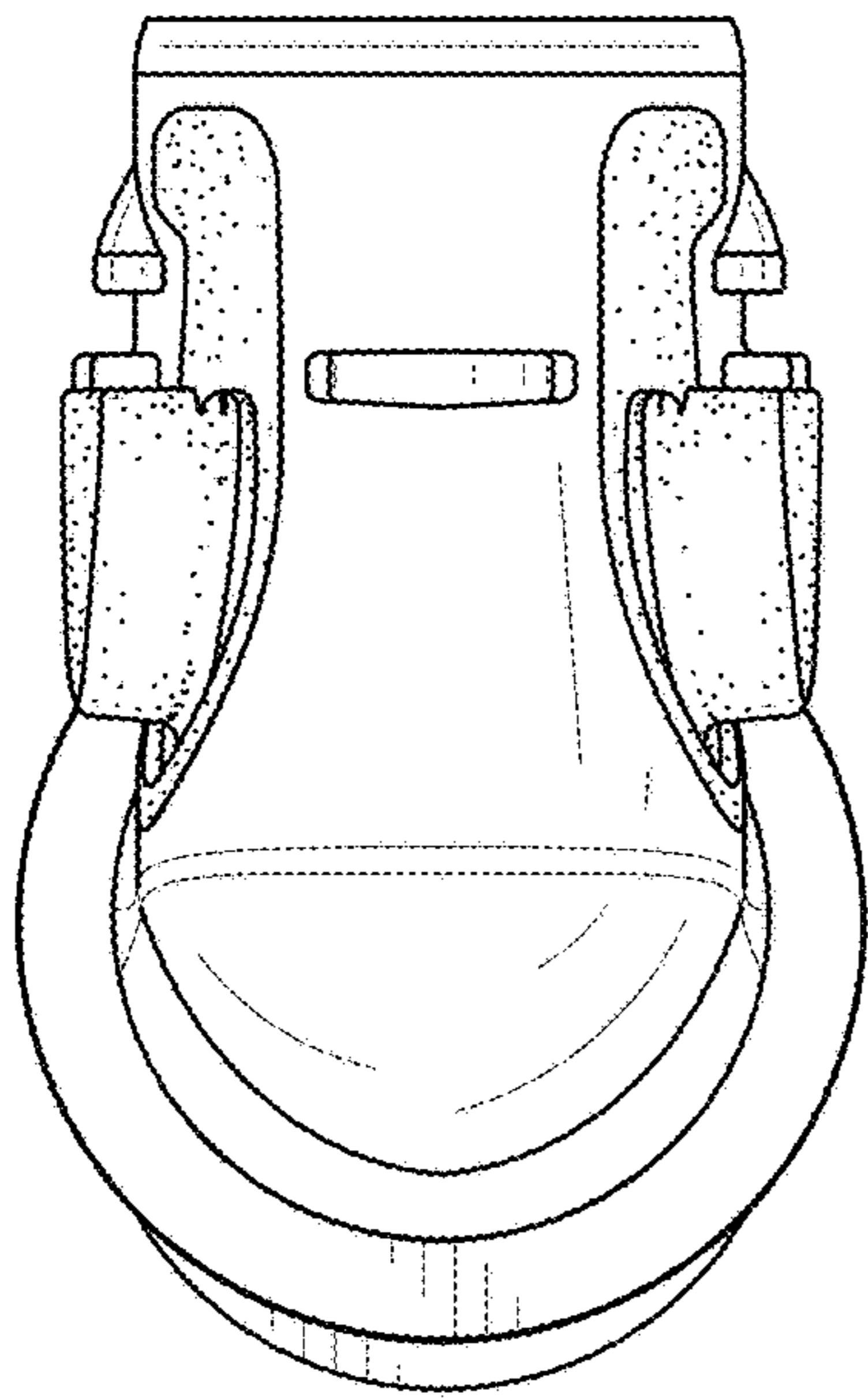


FIG. 4

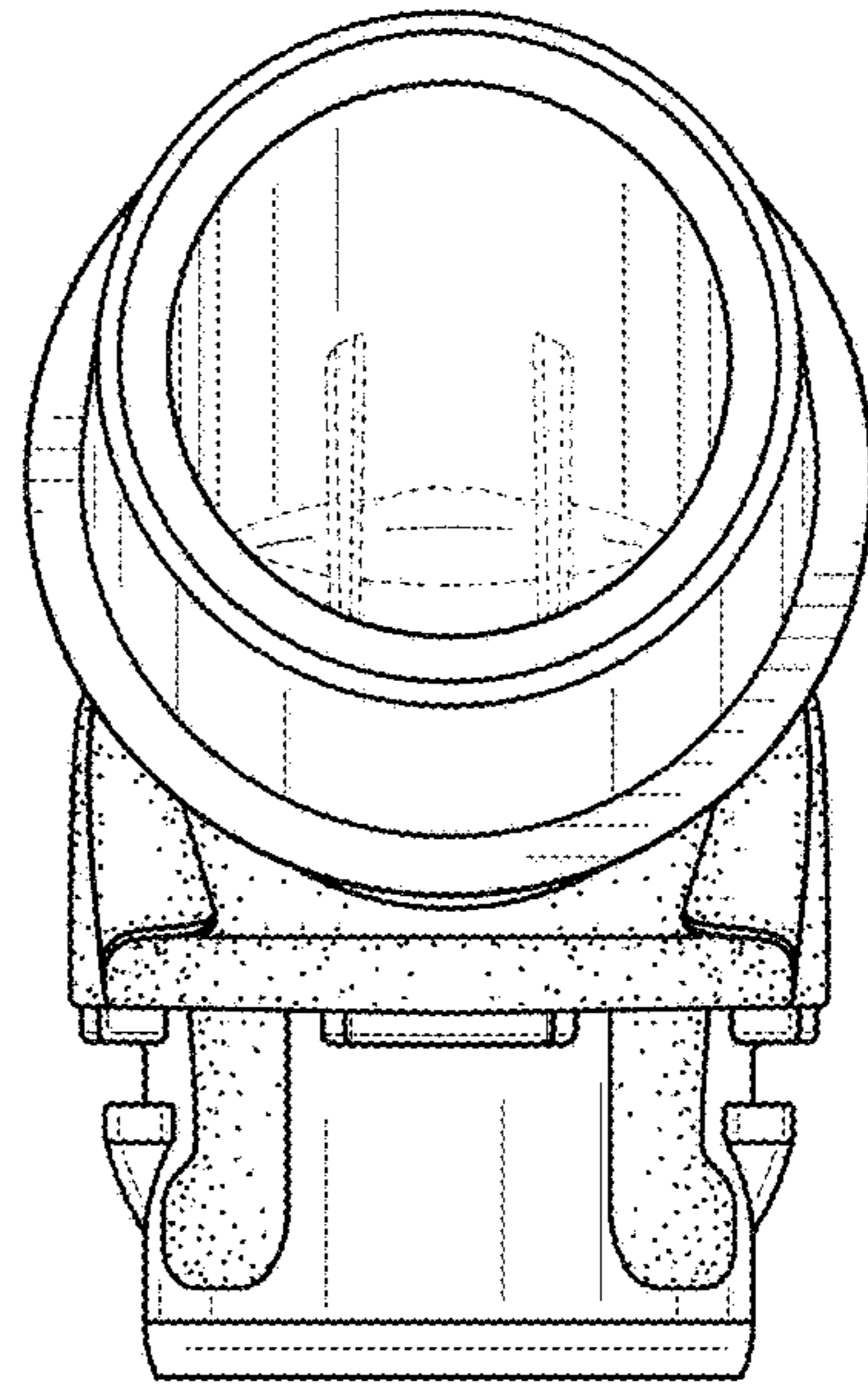


FIG. 5

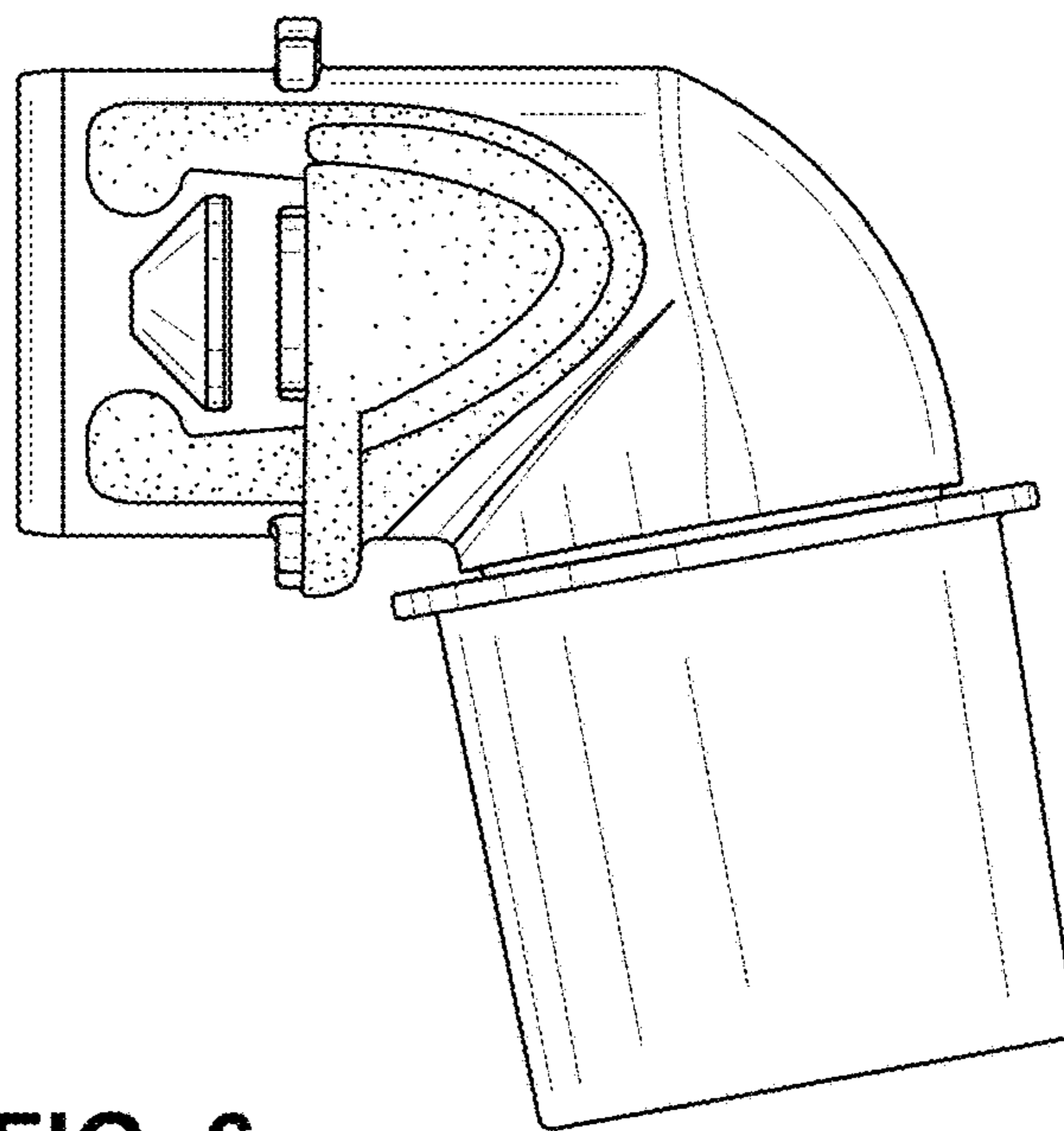


FIG. 6

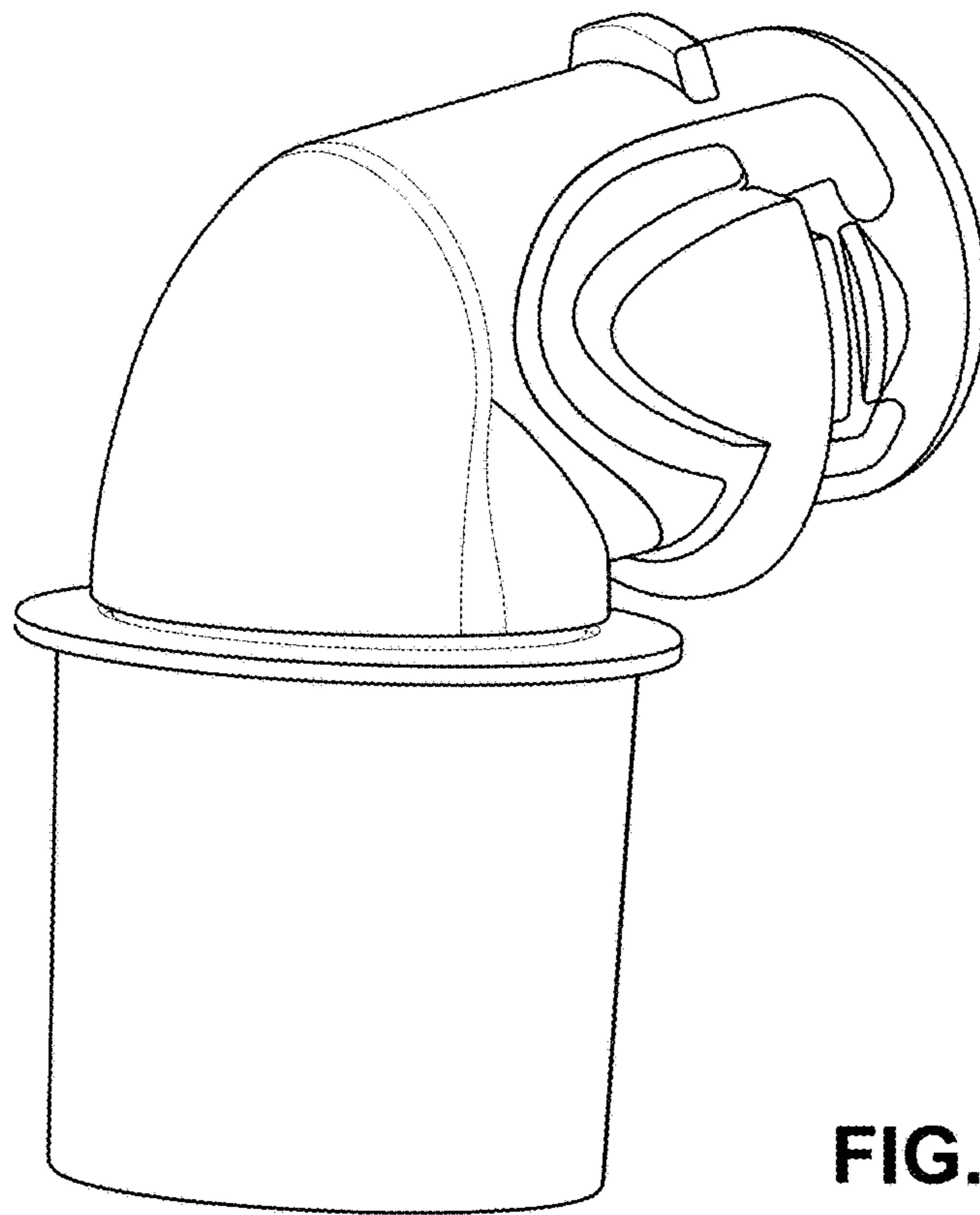


FIG. 7

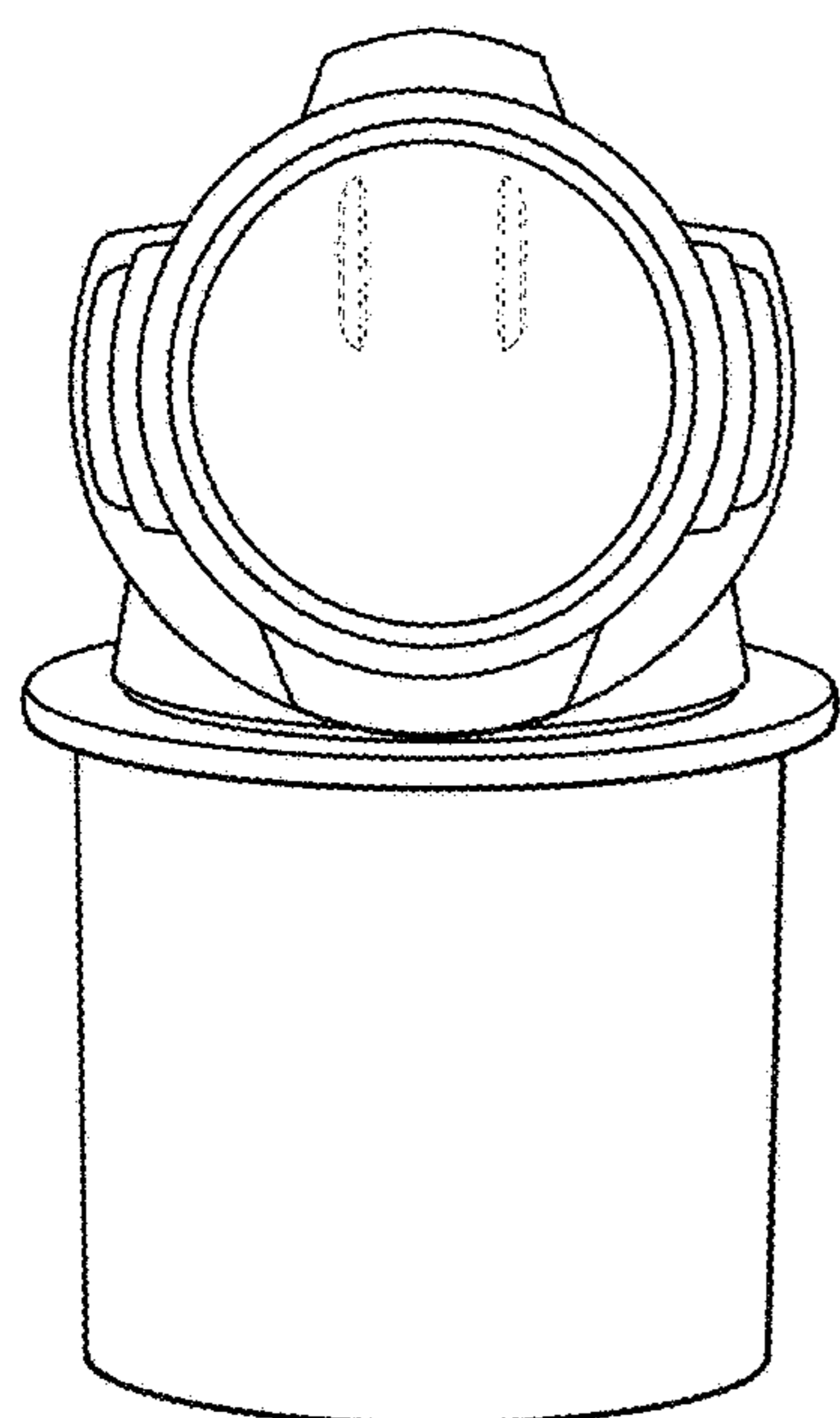


FIG. 8

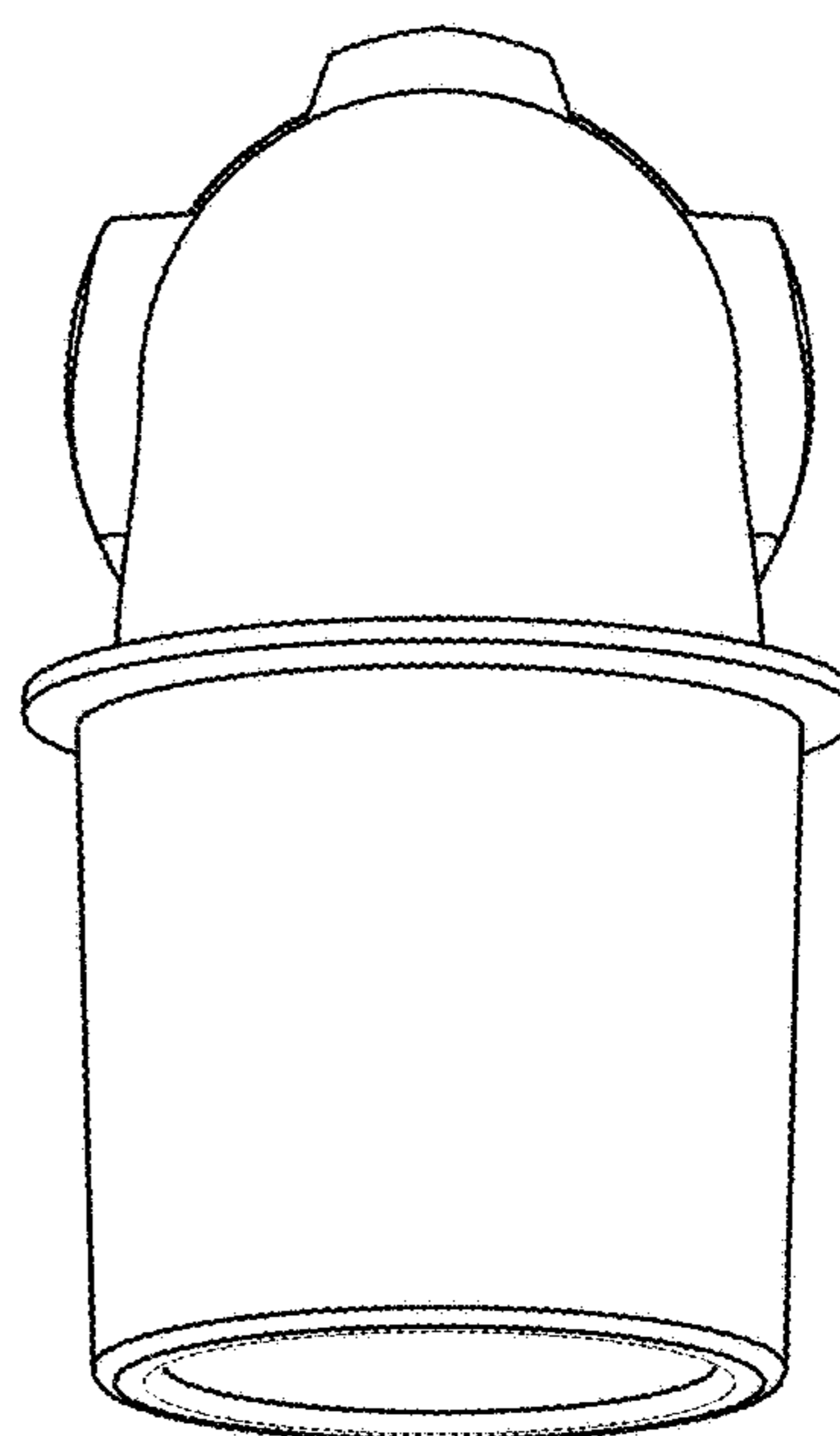


FIG. 9

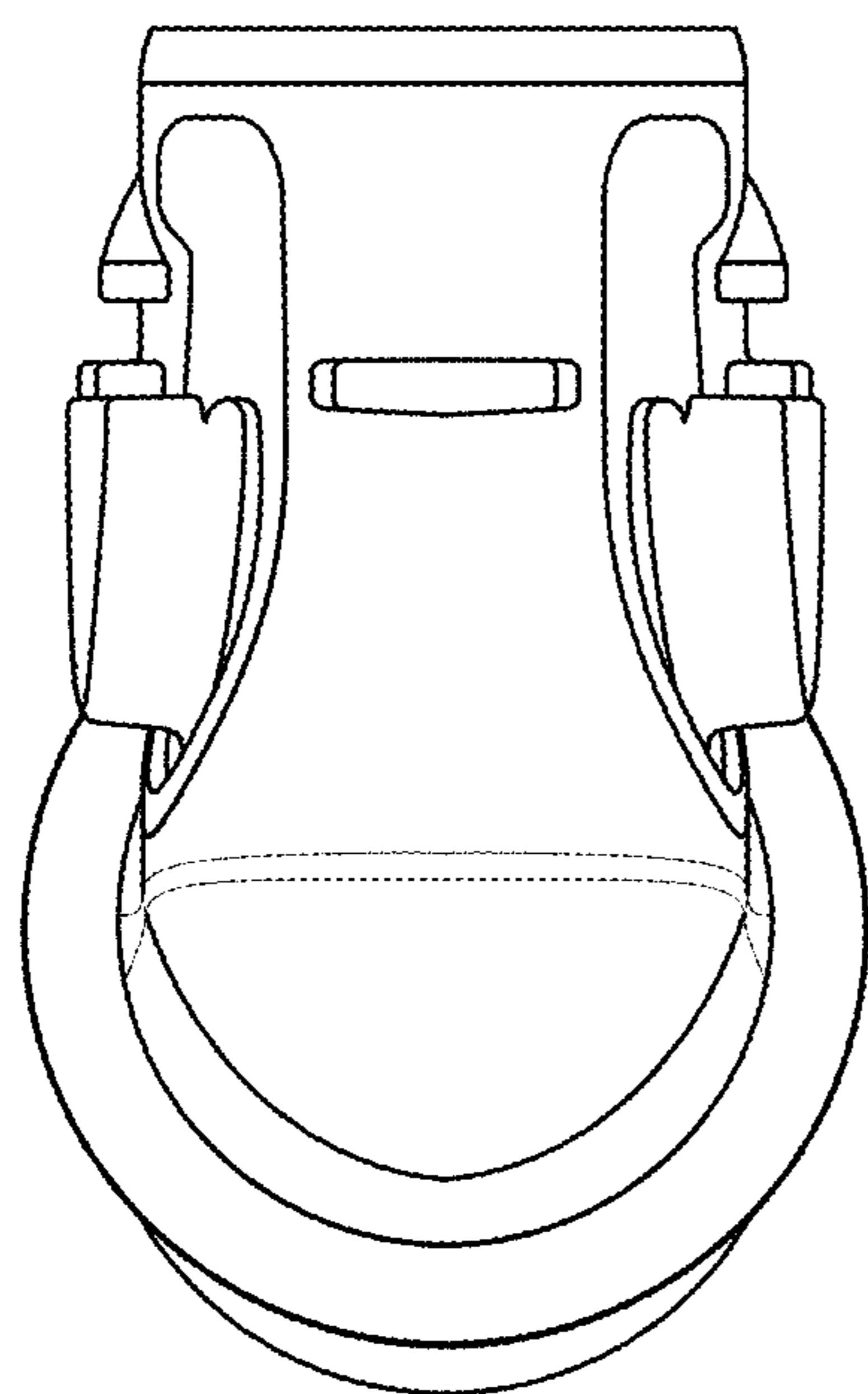


FIG. 10

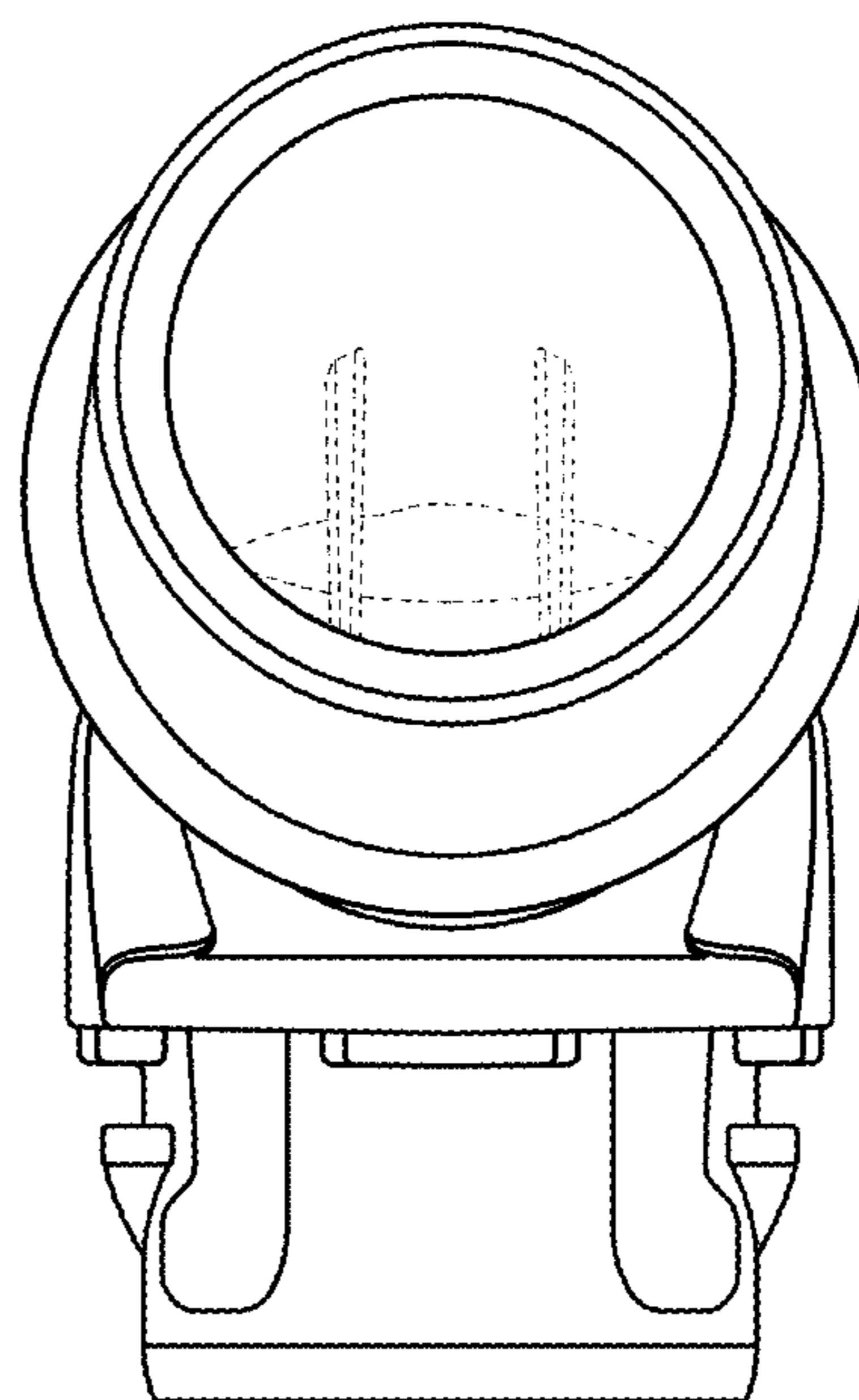


FIG. 11

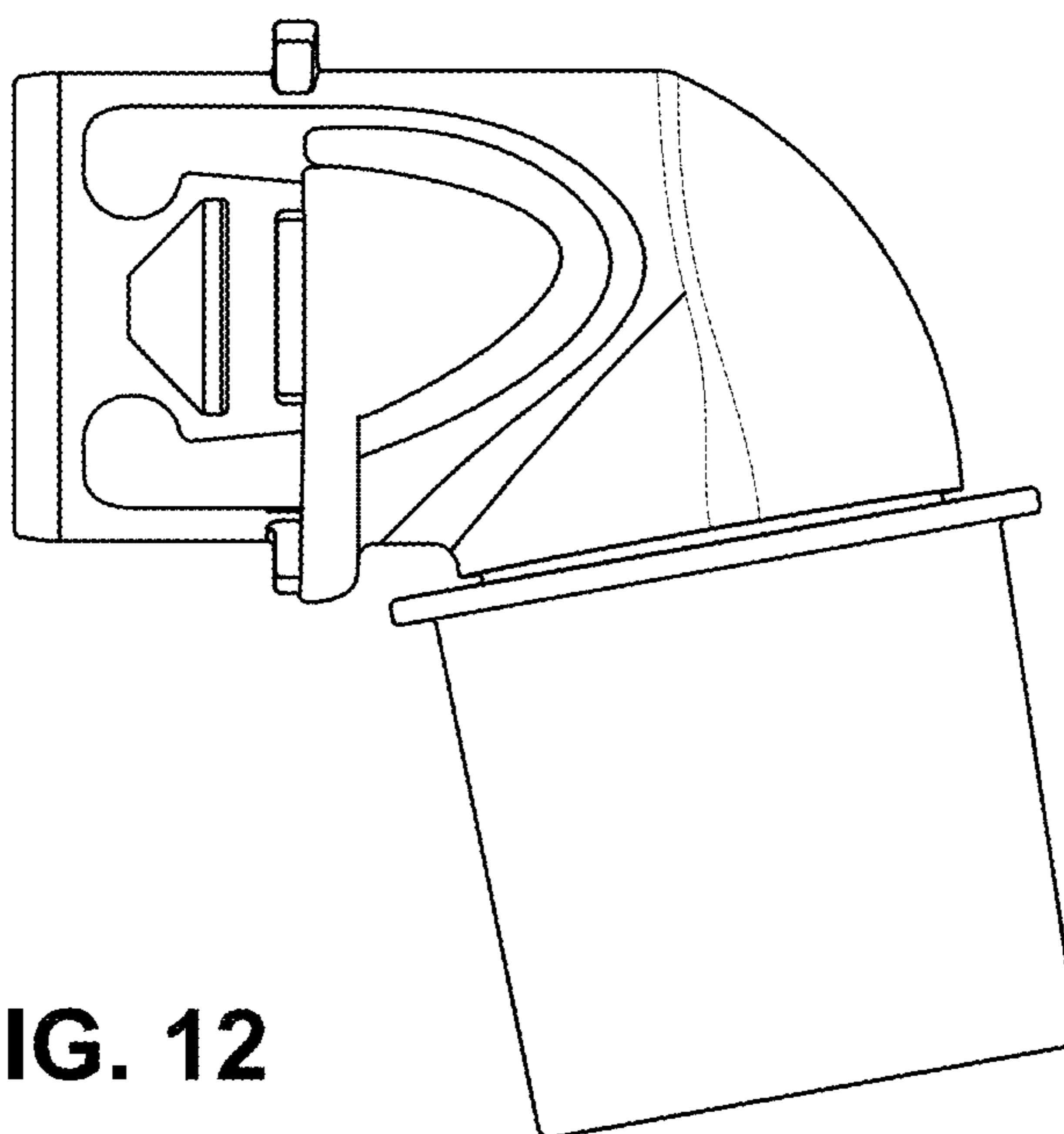


FIG. 12