



US00D785160S

(12) **United States Design Patent**
Rigert et al.

(10) **Patent No.:** **US D785,160 S**
(45) **Date of Patent:** **** Apr. 25, 2017**

(54) **MEMBRANE FOR A BREASTSHIELD OF A BREAST PUMP**

(71) Applicant: **MEDELA HOLDING AG**, Baar (CH)

(72) Inventors: **Mario Rigert**, Buchrain (CH);
Bernhard Emmenegger, Lucerne (CH)

(73) Assignee: **MEDELA HOLDING AG**, Baar (CH)

(**) Term: **15 Years**

(21) Appl. No.: **29/534,391**

(22) Filed: **Jul. 28, 2015**

(30) **Foreign Application Priority Data**

Feb. 20, 2015 (WO) 874 300 701

(51) **LOC (10) Cl.** **24-02**

(52) **U.S. Cl.**
USPC **D24/109**

(58) **Field of Classification Search**

USPC D24/108, 109, 127; 604/74-76; D9/435,
D9/447, 448, 523, 526

CPC A61M 1/062; A61M 1/06; A61M 1/066;
A61M 1/064

See application file for complete search history.

(56) **References Cited**

U.S. PATENT DOCUMENTS

D246,729 S * 12/1977 Murphy D2/706
D484,236 S * 12/2003 Renz D24/109
D485,614 S * 1/2004 Renz D24/109
D486,223 S * 2/2004 Robson D24/109
6,706,012 B2 * 3/2004 McKendry A61M 1/0066
119/14.02
D609,330 S * 2/2010 Paterson D24/109
D609,331 S * 2/2010 Paterson D24/109
7,806,855 B2 * 10/2010 Kliegman A61M 1/06
604/73
8,187,227 B2 5/2012 Luzbetak et al.

(Continued)

FOREIGN PATENT DOCUMENTS

WO WO-2013/049944 A1 4/2013

OTHER PUBLICATIONS

Spectra Spare Parts/Accessories—Backflow Protector Membranes (2 pk). Pupsik. www.pupsikstudio.com. Date accessed Apr. 13, 2016. <<http://www.pupsikstudio.com/spectra-spare-parts-accessories-large-membrane-s1-s2-m1-2-pk.html>>.*

(Continued)

Primary Examiner — Barbara Fox

Assistant Examiner — Lilyana Bekic

(74) *Attorney, Agent, or Firm* — Marshall, Gerstein & Borun LLP

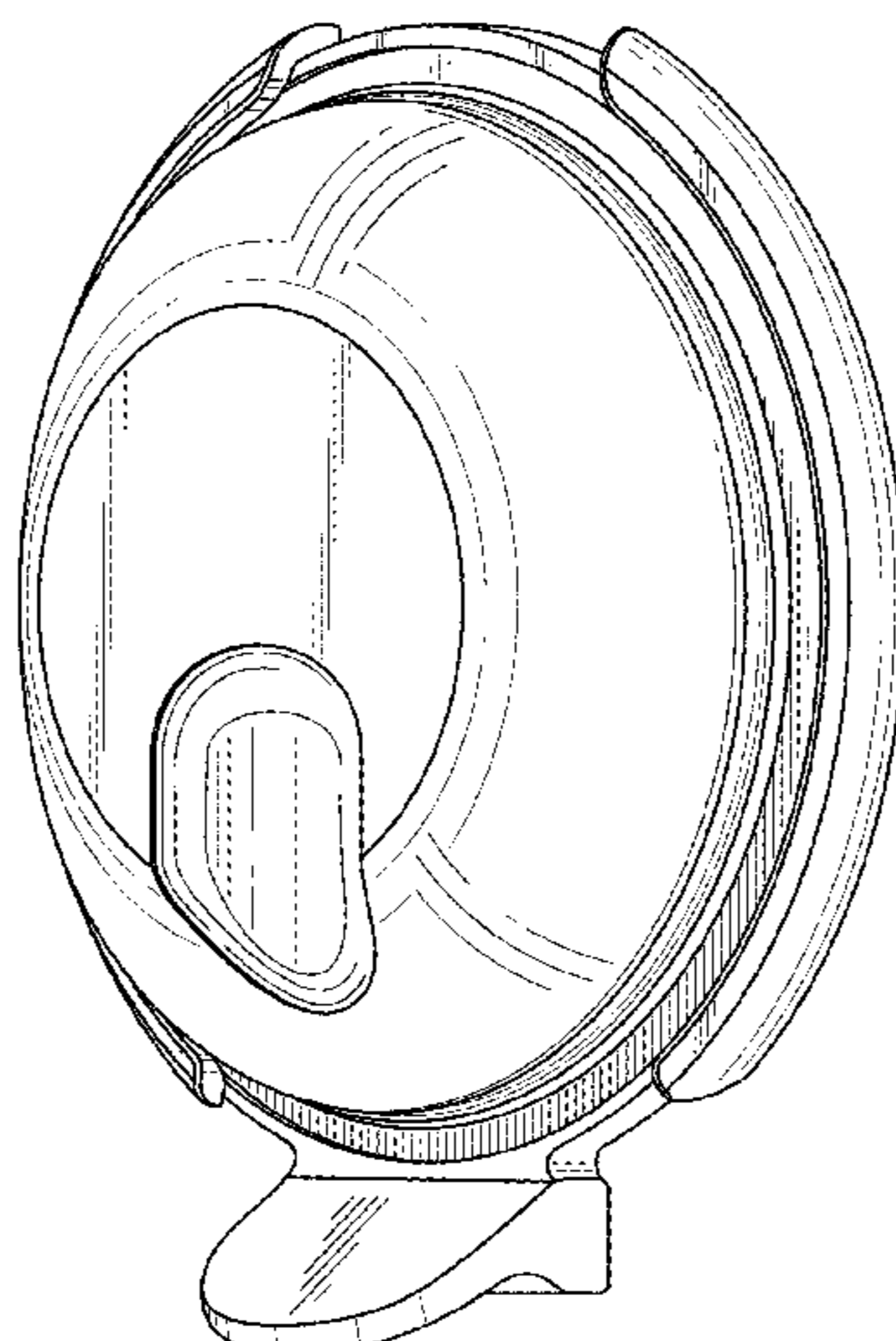
(57) **CLAIM**

The ornamental design for a membrane for a breastshield of a breast pump, as shown and described.

DESCRIPTION

FIG. 1 is a front, left perspective view of a membrane for a breastshield of a breast pump of the present invention; FIG. 2 is a rear perspective view of the invention illustrated in FIG. 1; FIG. 3 is a front plan view of the invention illustrated in FIG. 1; FIG. 4 is a rear plan view of the invention illustrated in FIG. 1; FIG. 5 is a left plan view of the invention illustrated in FIG. 1; FIG. 6 is a right plan view of the invention illustrated in FIG. 1; FIG. 7 is a bottom plan view of the invention illustrated in FIG. 1; and, FIG. 8 is a top plan view of the invention illustrated in FIG. 1.

1 Claim, 8 Drawing Sheets



(56)

References Cited

U.S. PATENT DOCUMENTS

9,011,372 B2 * 4/2015 Jones A61M 1/06
604/74
2003/0004459 A1 * 1/2003 McKendry A61M 1/0066
604/74
2008/0033352 A1 * 2/2008 Annis A61M 1/0049
604/74
2008/0171970 A1 * 7/2008 Luzbetak A61M 1/06
604/74
2010/0228188 A1 * 9/2010 Kunzler A61M 1/0088
604/74
2010/0324477 A1 * 12/2010 Paterson A61M 1/0072
604/74
2010/0324478 A1 * 12/2010 Kazazoglu A61M 1/0072
604/74
2011/0245763 A1 10/2011 Myers
2012/0071820 A1 * 3/2012 Luzbetak A61M 1/06
604/74
2013/0023821 A1 1/2013 Khalil et al.
2015/0314053 A1 * 11/2015 Furrer A61M 1/06
604/74
2015/0328380 A1 * 11/2015 Furrer A61M 1/0049
604/74

OTHER PUBLICATIONS

Medela Swing and Swing Maxi. Best Breast Pump Reviews.
www.bestbreastpumpreviewsformoms.com. Date accessed Apr. 13,
2016. <<http://www.bestbreastpumpreviewsformoms.com/medela-swing-and-swing-maxi/>>.*

* cited by examiner

Fig. 1

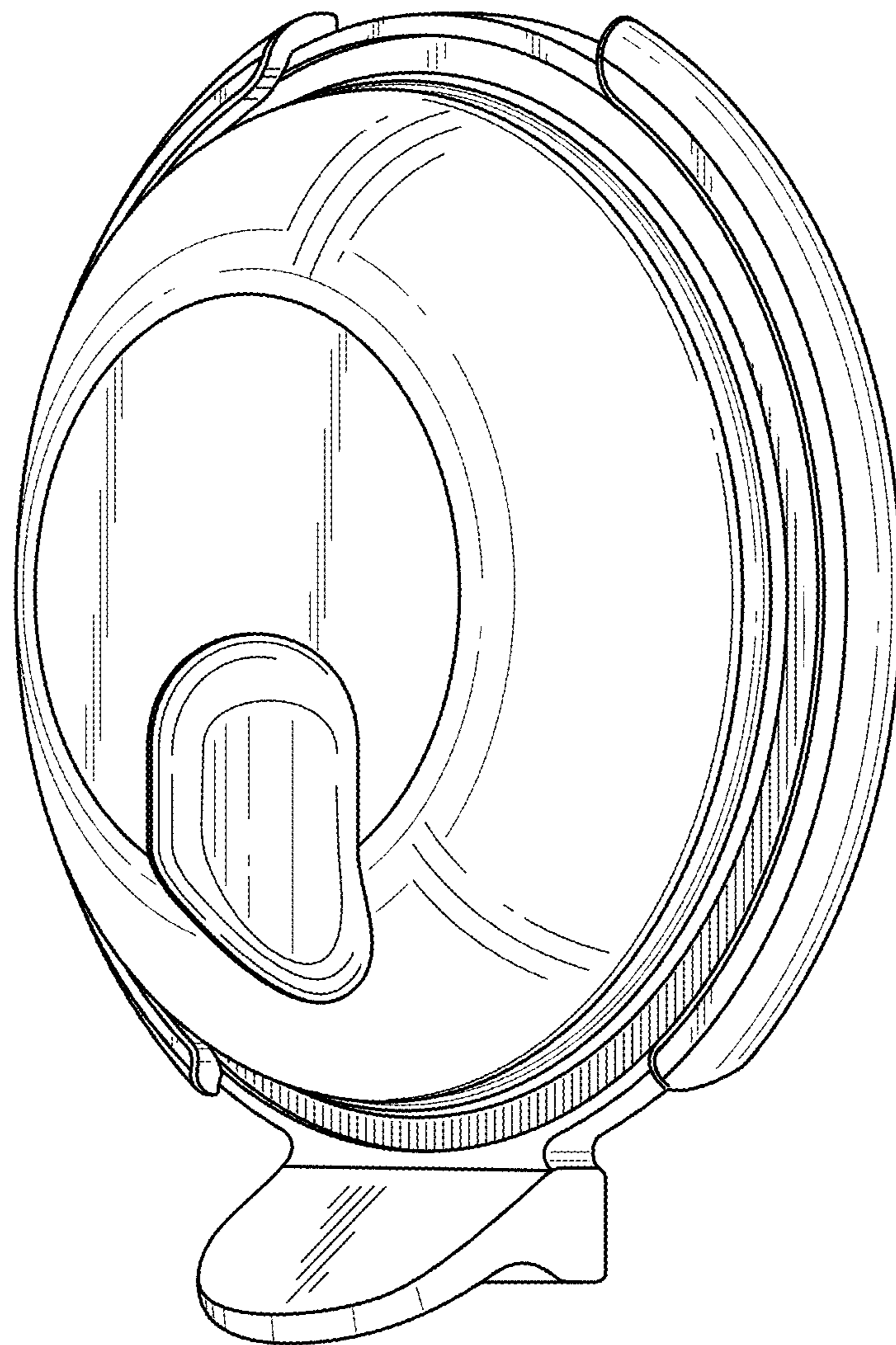


Fig. 2

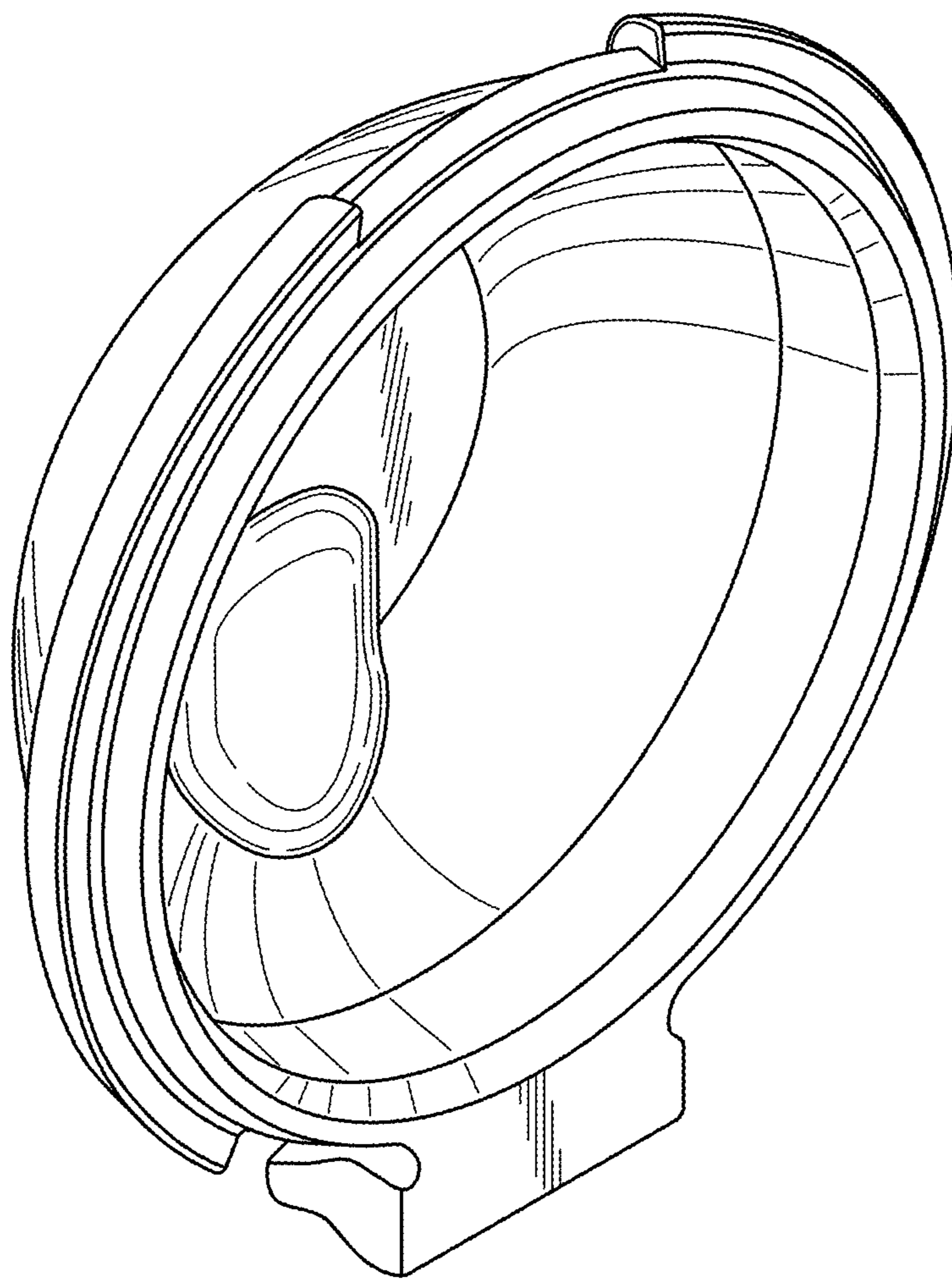


Fig. 3

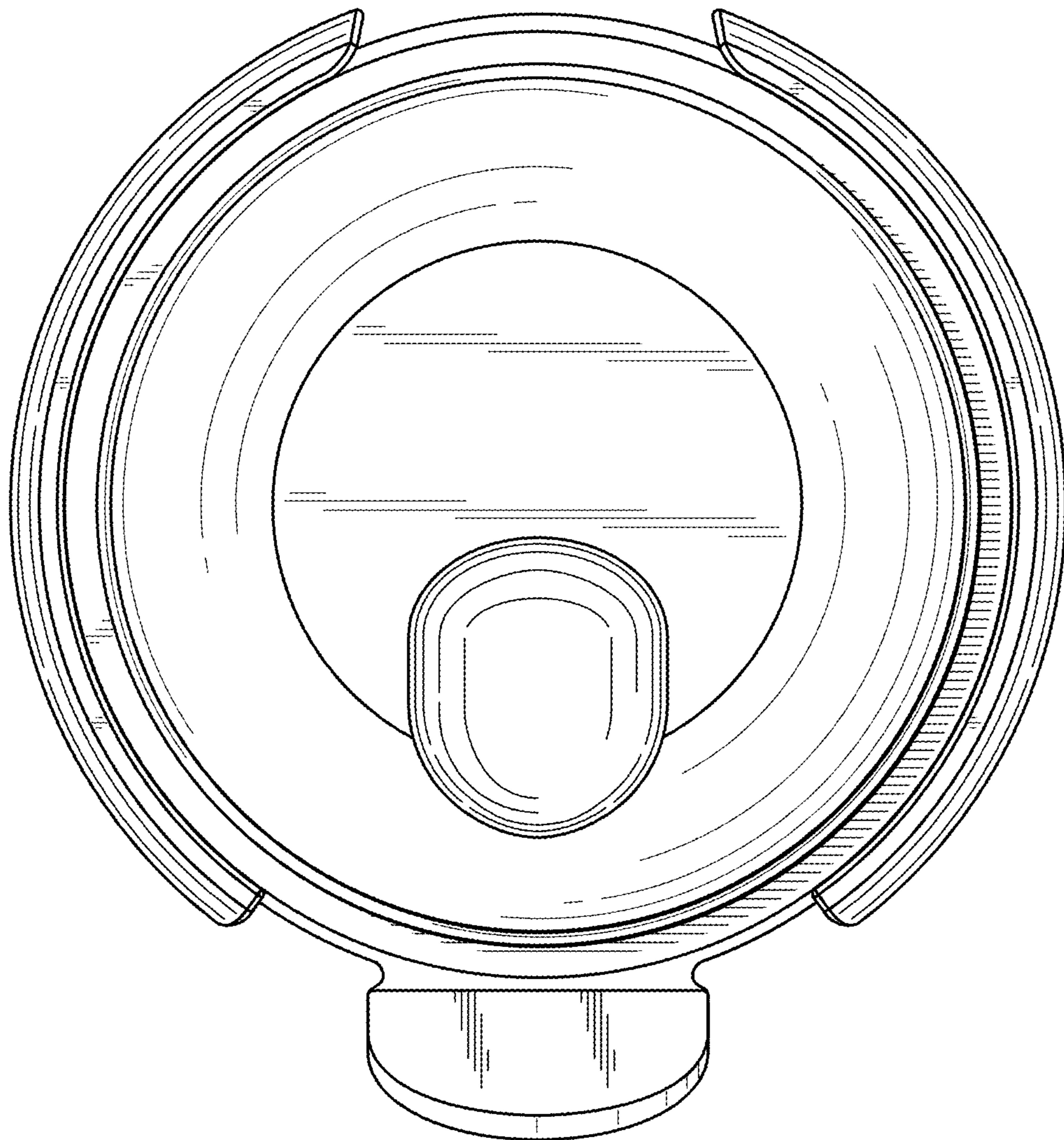


Fig. 4

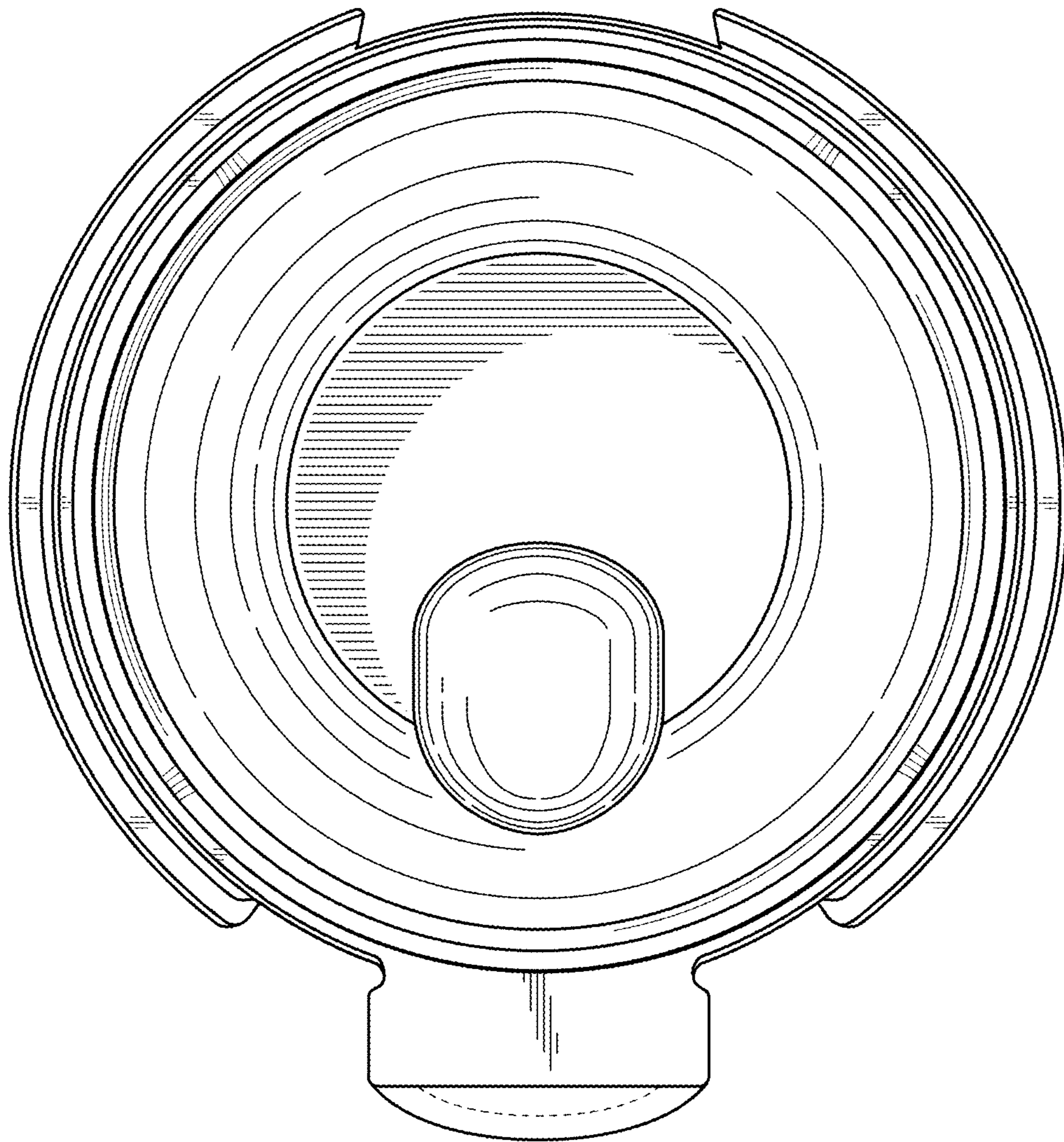


Fig. 5

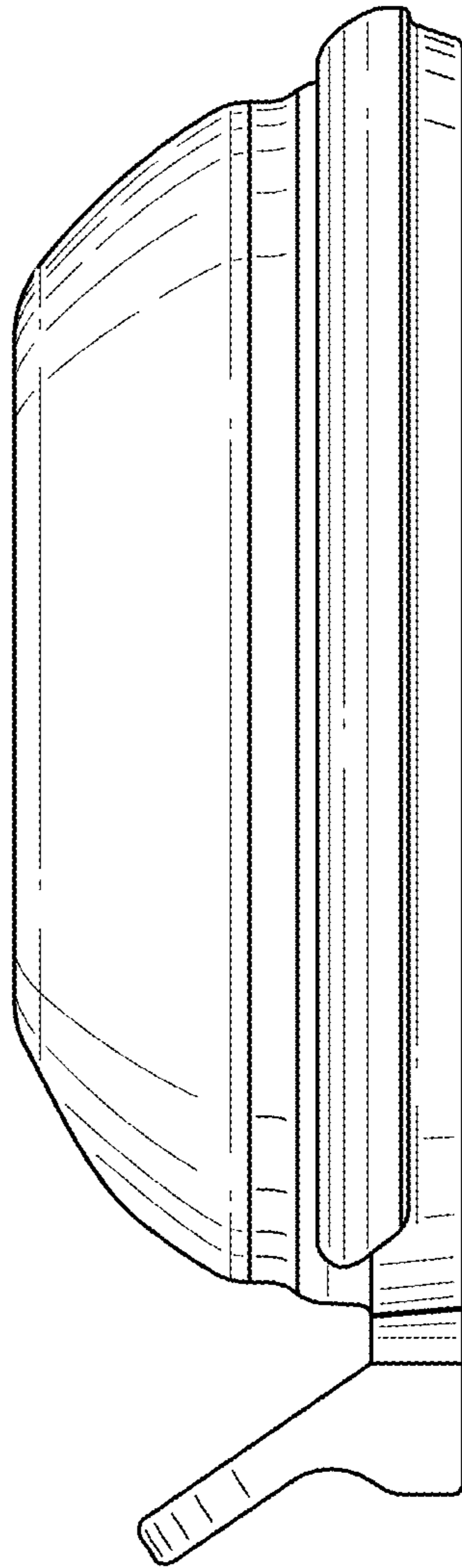


Fig. 6

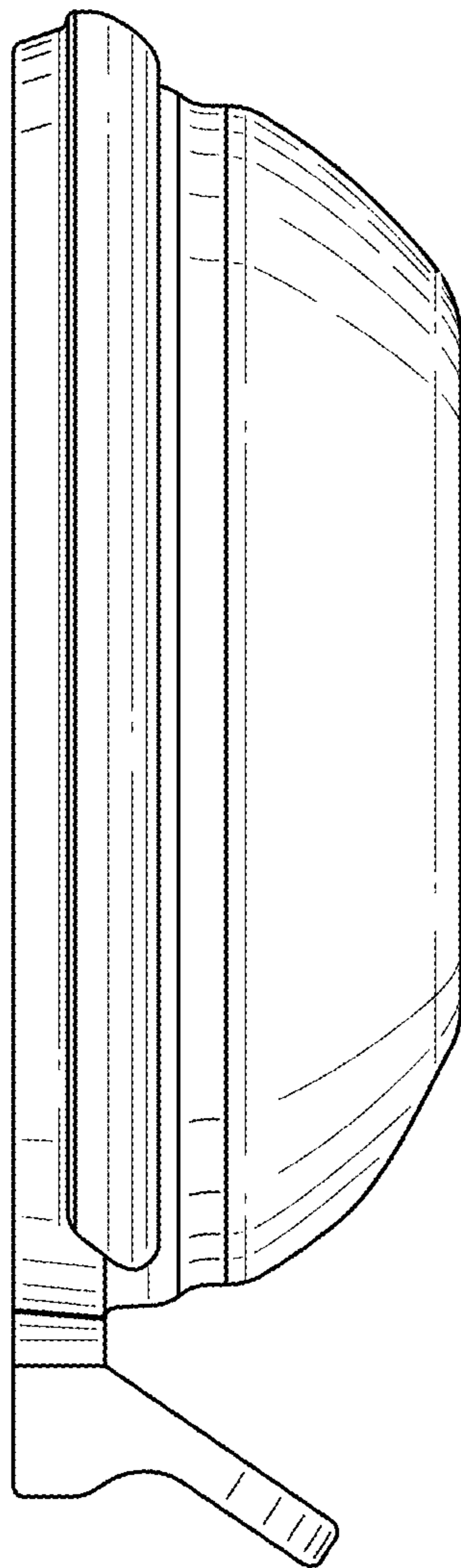


Fig. 7

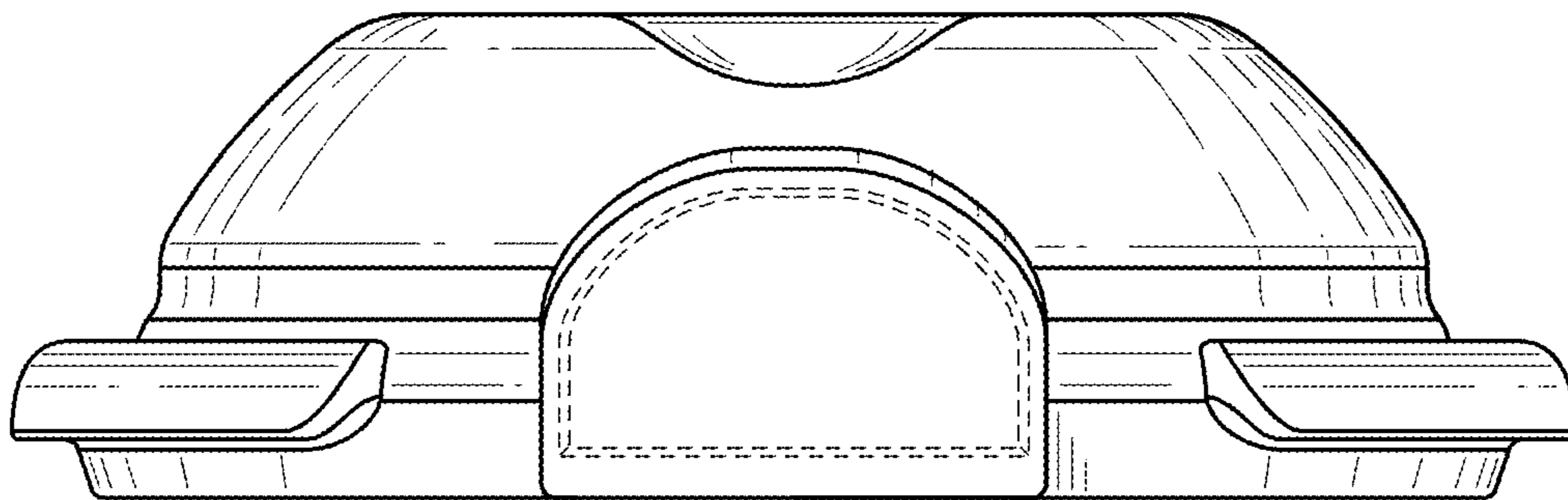


Fig. 8

