



US00D785159S

(12) **United States Design Patent**  
**Mould et al.**

(10) **Patent No.:** **US D785,159 S**

(45) **Date of Patent:** **\*\* Apr. 25, 2017**

- (54) **CAPSULE NOZZLE**
- (71) Applicant: **Mars, Inc.**, McLean, VA (US)
- (72) Inventors: **Philip James Mould**, Basingstoke (GB); **Peter D. Austin**, Basingstoke (GB); **Darren Nicholls**, Basingstoke (GB)
- (73) Assignee: **Mars, Incorporated**, McLean, VA (US)
- (\*\*) Term: **14 Years**
- (21) Appl. No.: **29/524,685**
- (22) Filed: **Apr. 22, 2015**
- (51) **LOC (10) Cl.** ..... **24-01**
- (52) **U.S. Cl.**  
USPC ..... **D24/100**
- (58) **Field of Classification Search**  
USPC ..... D24/100, 115; D9/740, 683, 523, 442, D9/436, 435, 434  
CPC ..... B65D 1/095; B65D 1/0238; B65D 47/10; B65D 47/36; B65D 75/5883; A61J 1/067  
See application file for complete search history.

(56) **References Cited**

**U.S. PATENT DOCUMENTS**

D242,742 S *	12/1976	Christine	.....	D24/115
D347,390 S *	5/1994	Kovacic	.....	D9/539
D350,694 S *	9/1994	Kovacic	.....	D9/434
D398,838 S *	9/1998	Nielsen	.....	D24/115
D403,960 S *	1/1999	Stromblad	.....	D9/442
5,908,124 A *	6/1999	Klauke	.....	B65D 1/0238 215/42
D430,664 S *	9/2000	Poynter	.....	D24/115
D434,143 S *	11/2000	Poynter	.....	D24/115
6,543,655 B1 *	4/2003	de Laforcade	.....	B65D 47/36 222/541.9
D509,754 S *	9/2005	Scott, III	.....	D9/740
D532,295 S *	11/2006	Stull	.....	D9/435

D544,958 S *	6/2007	Wurtz	.....	D24/115
7,810,680 B2 *	10/2010	Stull	.....	B65D 47/10 215/253
D670,165 S *	11/2012	Ishizawa	.....	D9/436
D675,924 S *	2/2013	Weiler	.....	D9/435
D675,925 S *	2/2013	Weiler	.....	D9/435
D684,259 S *	6/2013	Mehta	.....	D24/115
2002/0134374 A1 *	9/2002	Loeffler	.....	A61J 1/065 128/200.14
2002/0180114 A1 *	12/2002	Cargile	.....	B65D 35/08 264/524

(Continued)

*Primary Examiner* — Charles Hanson

(74) *Attorney, Agent, or Firm* — Greenberg Traurig, LLP

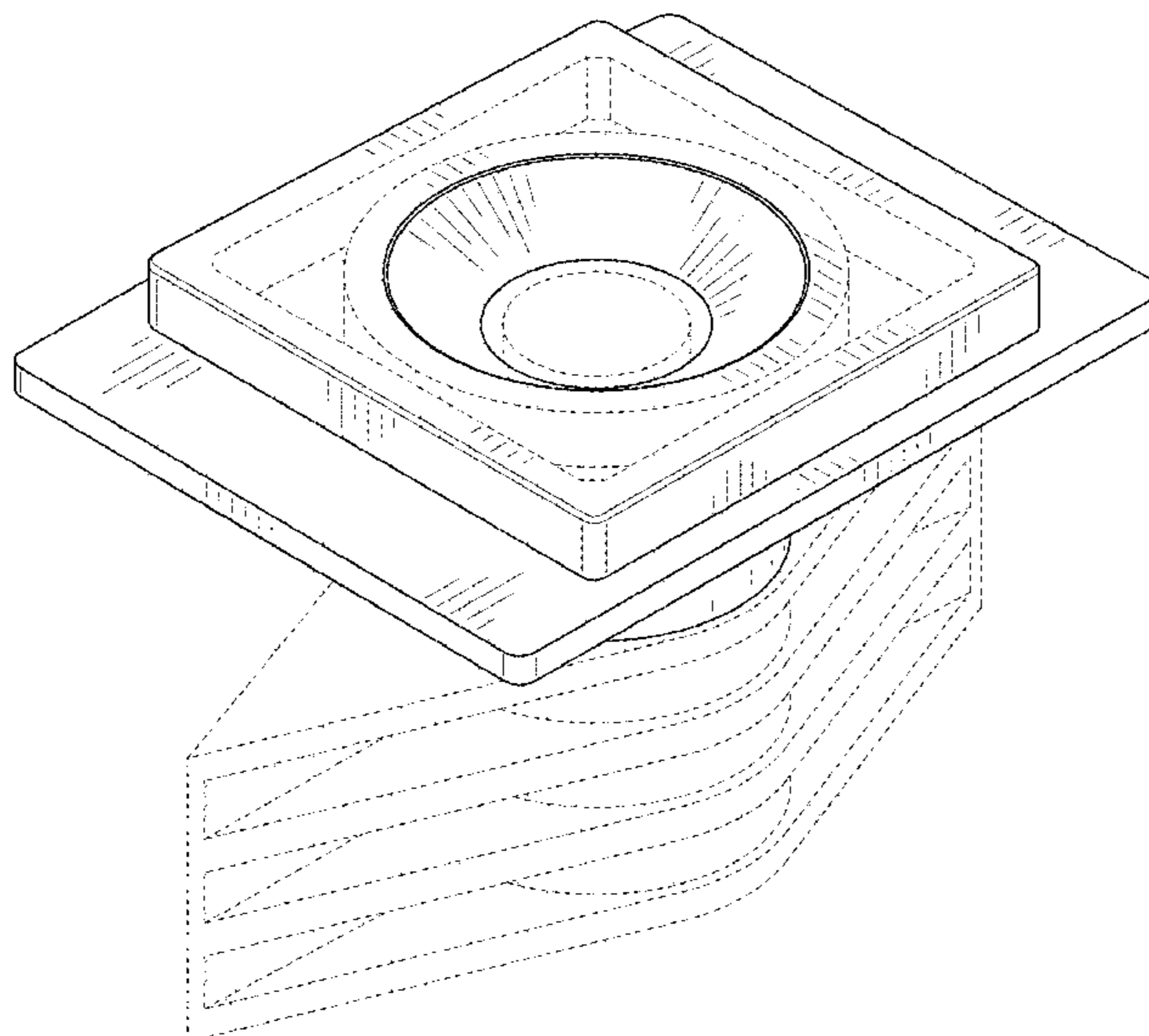
(57) **CLAIM**

The ornamental design for a capsule nozzle, as shown and described.

**DESCRIPTION**

FIG. 1 is a perspective view of the capsule nozzle;  
 FIG. 2 is a front view of the capsule nozzle shown in FIG. 1, the rear view is identical to the front view;  
 FIG. 3 is a side view of the capsule nozzle shown in FIG. 1, the opposite side view is identical;  
 FIG. 4 is a top plan view of the capsule nozzle shown in FIG. 1;  
 FIG. 5 is a bottom plan view of the capsule nozzle shown in FIG. 1;  
 FIG. 6 is a fragmentary horizontal sectional view taken through the center line of the capsule nozzle shown in FIG. 4; and,  
 FIG. 7 is a further front view of the capsule nozzle shown in FIG. 1, inserted in a capsule.  
 The broken line showing portions of the capsule nozzle head and capsule nozzle base are included for the purpose of illustrating unclaimed subject matter and forms no part of the claimed design.

**1 Claim, 7 Drawing Sheets**



(56)

**References Cited**

U.S. PATENT DOCUMENTS

2003/0145634 A1\* 8/2003 Price ..... A47L 25/08  
68/213  
2004/0253039 A1\* 12/2004 Stenton ..... A61M 35/003  
401/132  
2008/0105581 A1\* 5/2008 Kondo ..... B65B 3/003  
206/438  
2012/0191067 A1\* 7/2012 Chia ..... A61M 5/282  
604/506  
2014/0287104 A1\* 9/2014 Austin ..... B65D 85/8043  
426/115

\* cited by examiner

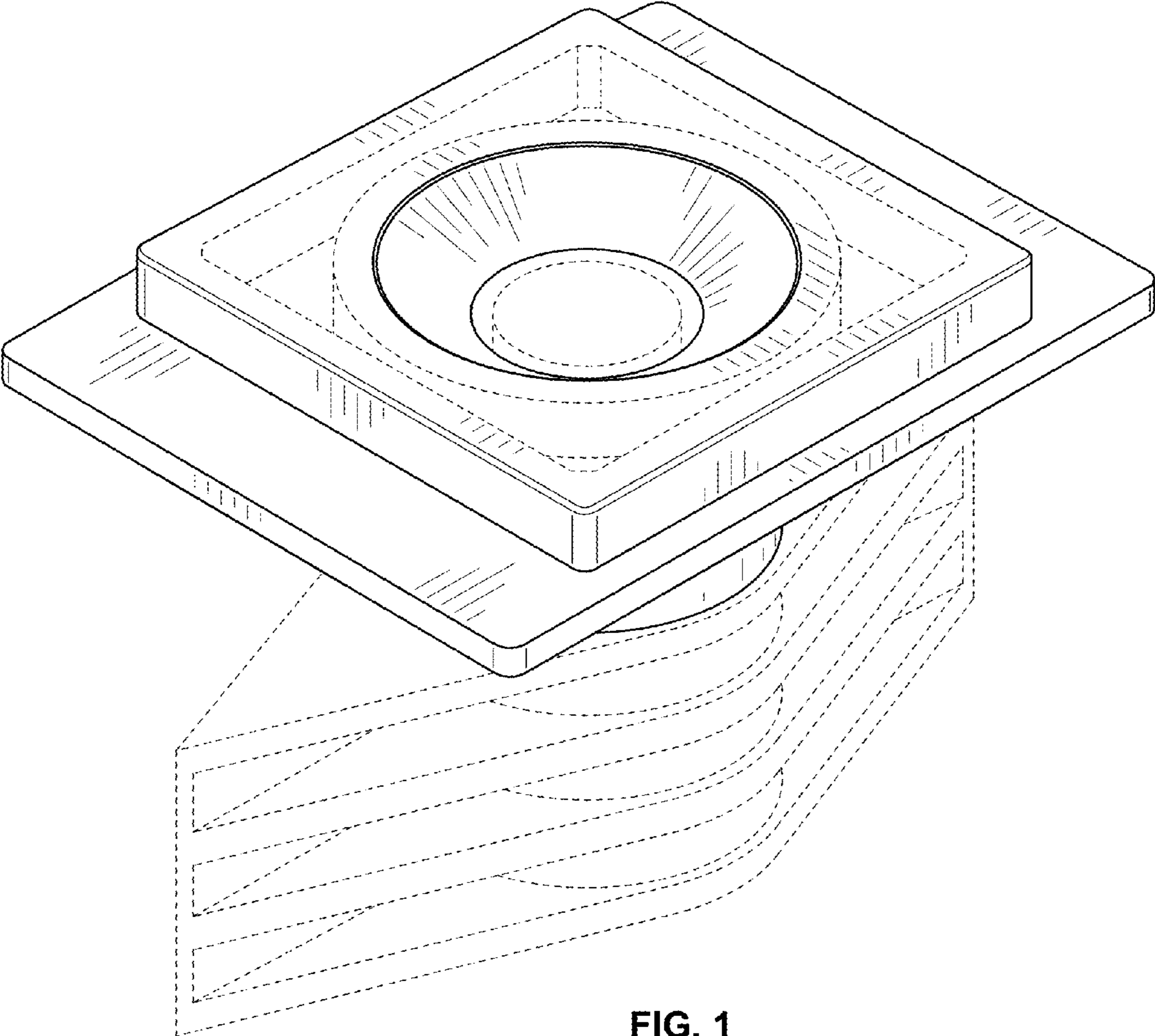


FIG. 1

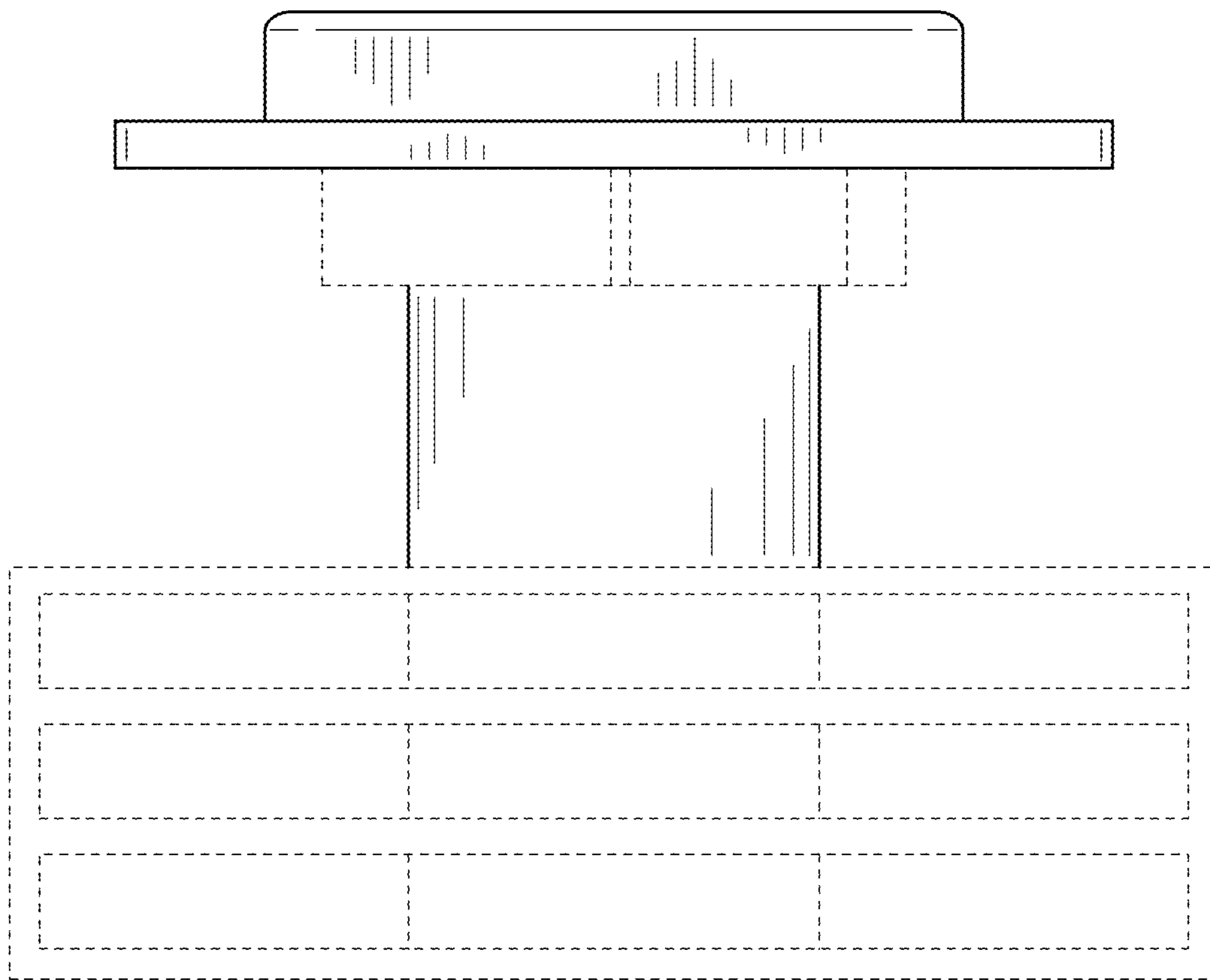


FIG. 2

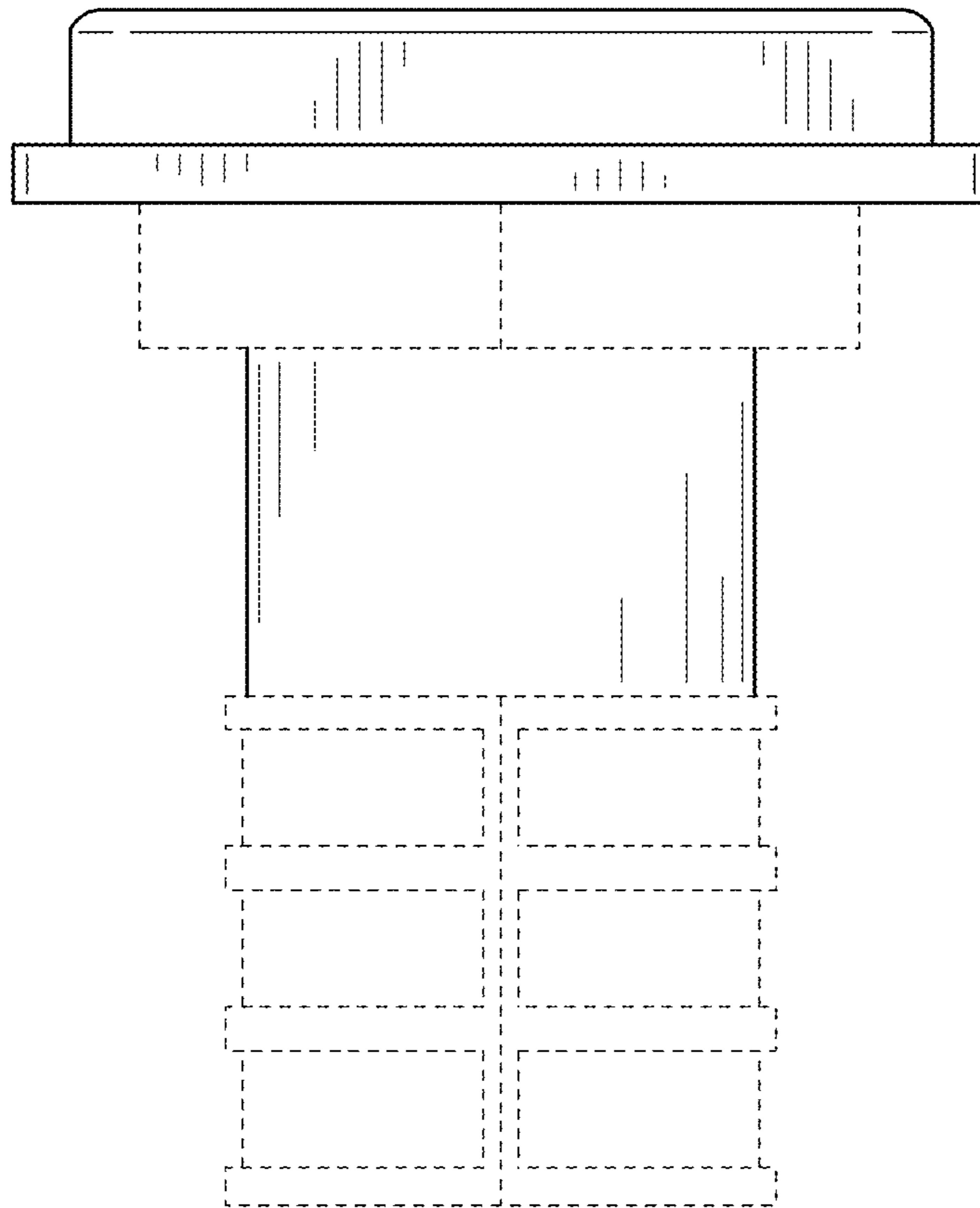


FIG. 3

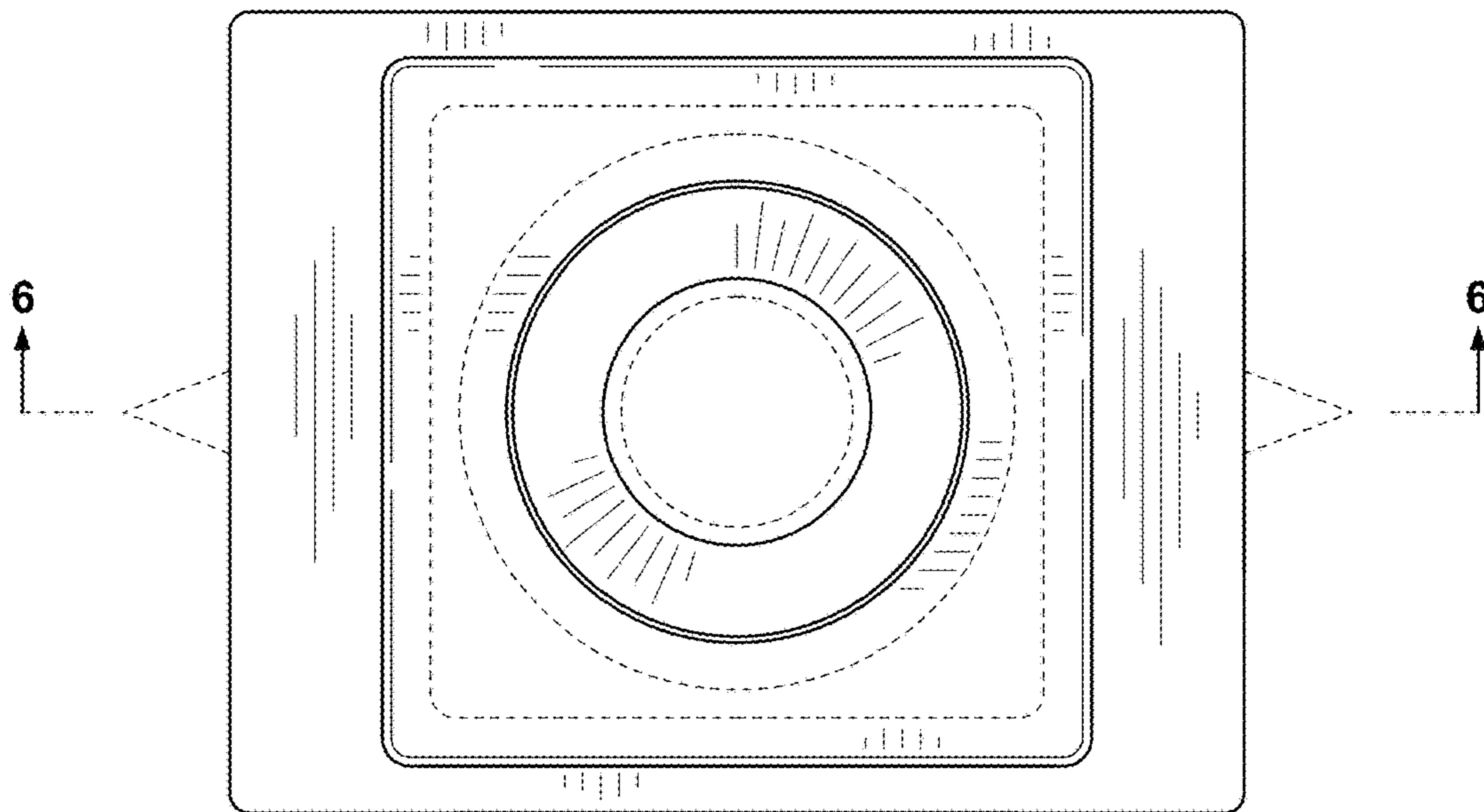


FIG. 4

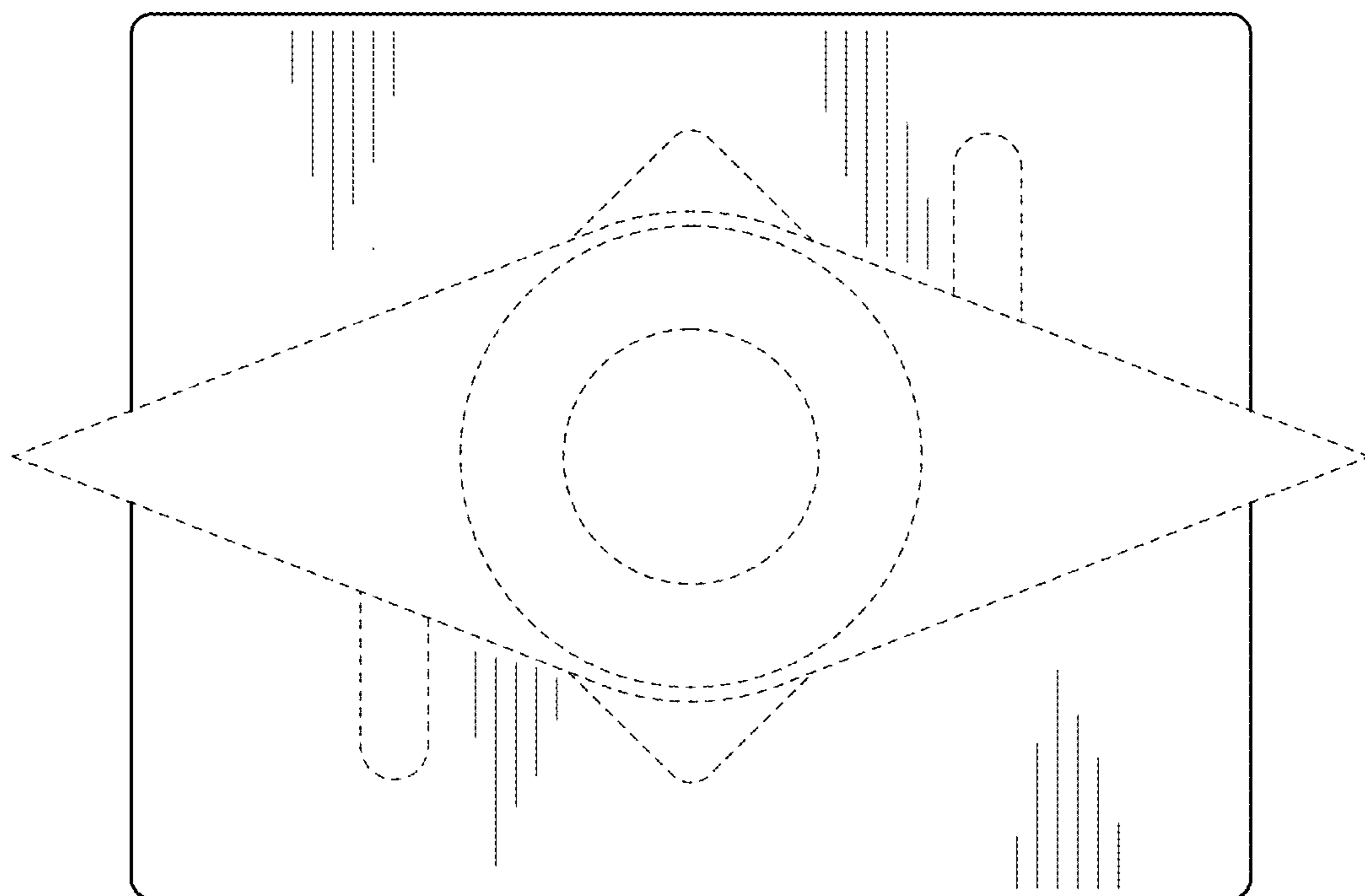


FIG. 5

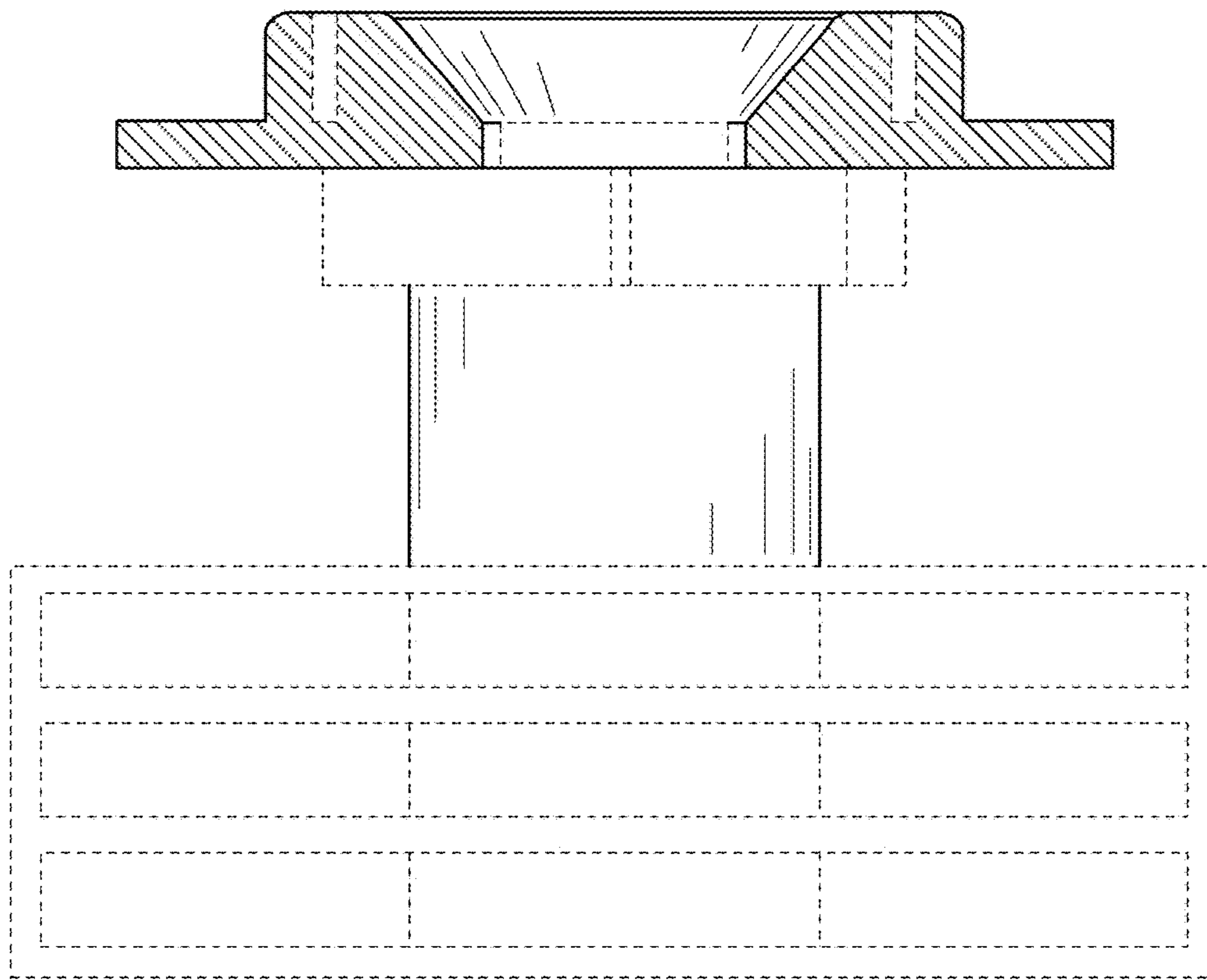


FIG. 6



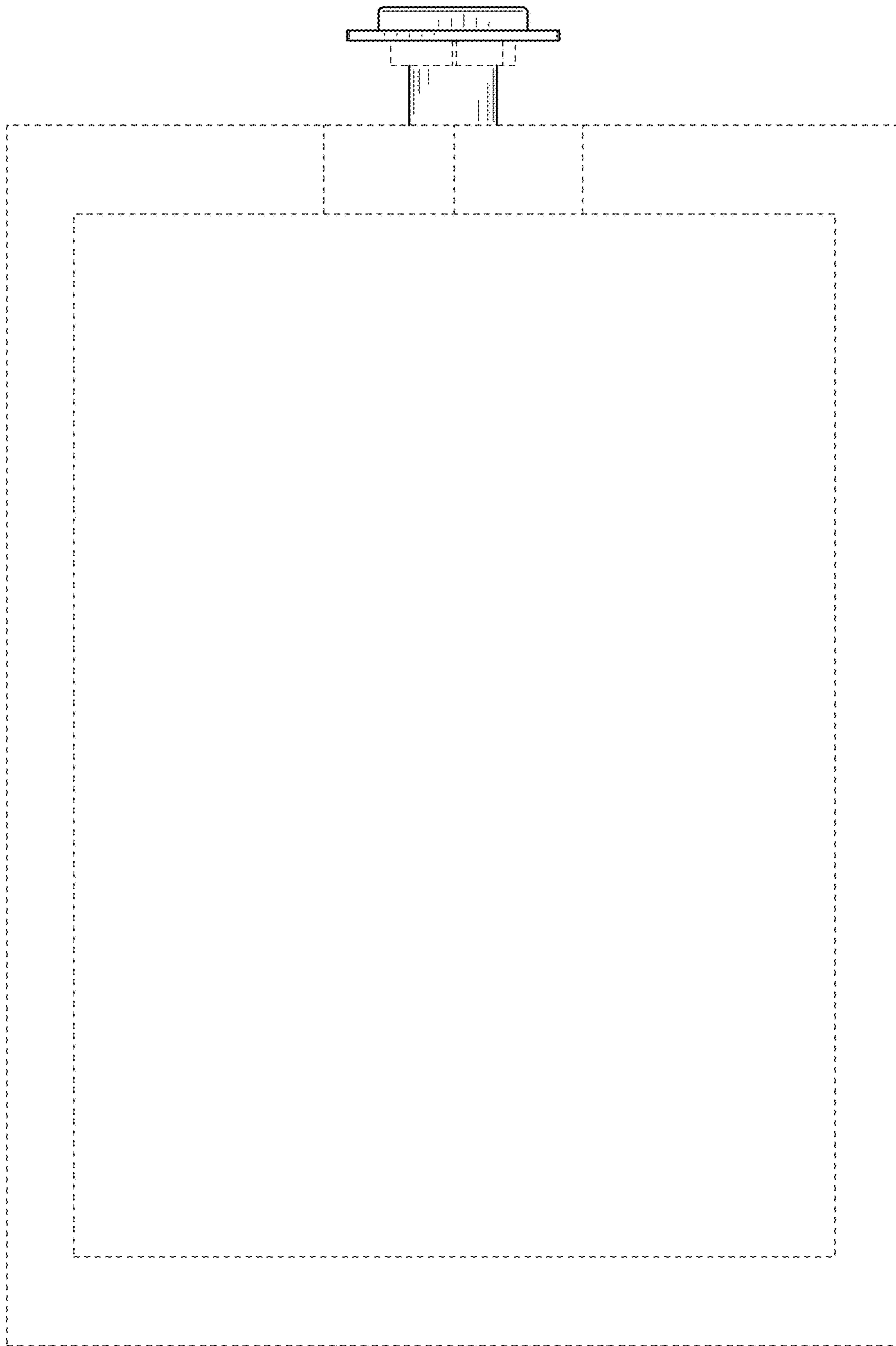


FIG. 7