



US00D785158S

(12) **United States Design Patent**
Kern

(10) **Patent No.:** **US D785,158 S**

(45) **Date of Patent:** **** Apr. 25, 2017**

- (54) **LOUVER**
- (71) Applicant: **AURORA Konrad G. Shulz GmbH & Co. KG**, Mudau/Odenwald (DE)
- (72) Inventor: **Ralf Kern**, Walldurn (DE)
- (73) Assignee: **AURORA Konrad G. Shulz GmbH & Co. KG**, Mudau/Odenwald (DE)

D413,665 S *	9/1999	Hudson	D23/393
D468,417 S *	1/2003	Leutz et al.	D23/393
D506,003 S *	6/2005	Murphy et al.	D23/392
D586,600 S *	2/2009	Norbury, Jr.	D6/580
D593,673 S *	6/2009	Kern	D23/388
D605,281 S *	12/2009	Kern	D23/388

- (**) Term: **14 Years**
- (21) Appl. No.: **29/447,864**
- (22) Filed: **Mar. 7, 2013**

(30) **Foreign Application Priority Data**

Sep. 7, 2012 (DE) 402012100721

- (51) **LOC (10) Cl.** **23-04**
- (52) **U.S. Cl.**
USPC **D23/388**
- (58) **Field of Classification Search**
USPC D23/388-393, 342, 366, 356, 385, 370,
D23/371, 351, 354, 386; 454/309,
454/275-277, 284, 287-290; D26/118,
D26/72, 152
CPC E06B 7/084; F24F 13/082; F24F 13/08;
F24F 13/15
See application file for complete search history.

(56) **References Cited**

U.S. PATENT DOCUMENTS

3,683,787 A *	8/1972	Cary	454/317
D285,480 S *	9/1986	Schulz	D23/392
D288,959 S *	3/1987	Schulz	D23/392
D307,632 S *	5/1990	Schulz	D23/392

OTHER PUBLICATIONS

Auora-eos, HVAC systems Aero-louver, http://www.aurora-eos.com/index.php?page=shop.product_details&flypage=flypage.tpl&product_id=373&category_id=14&option=com_virtuemart&Itemid=27&lang=en.*

Auora-eos, HVAC systems round nozzle RD83.0 black, http://www.aurora-eos.com/index.php?page=shop.product_details&flypage=flypage.tpl&product_id=642&category_id=14&option=com_virtuemart&Itemid=27&lang=en.*

* cited by examiner

Primary Examiner — David Muller

Assistant Examiner — Nathan Johnston

(74) *Attorney, Agent, or Firm* — Jennifer S. Stachinak;
Johnson, Marcou & Isaacs, LLC

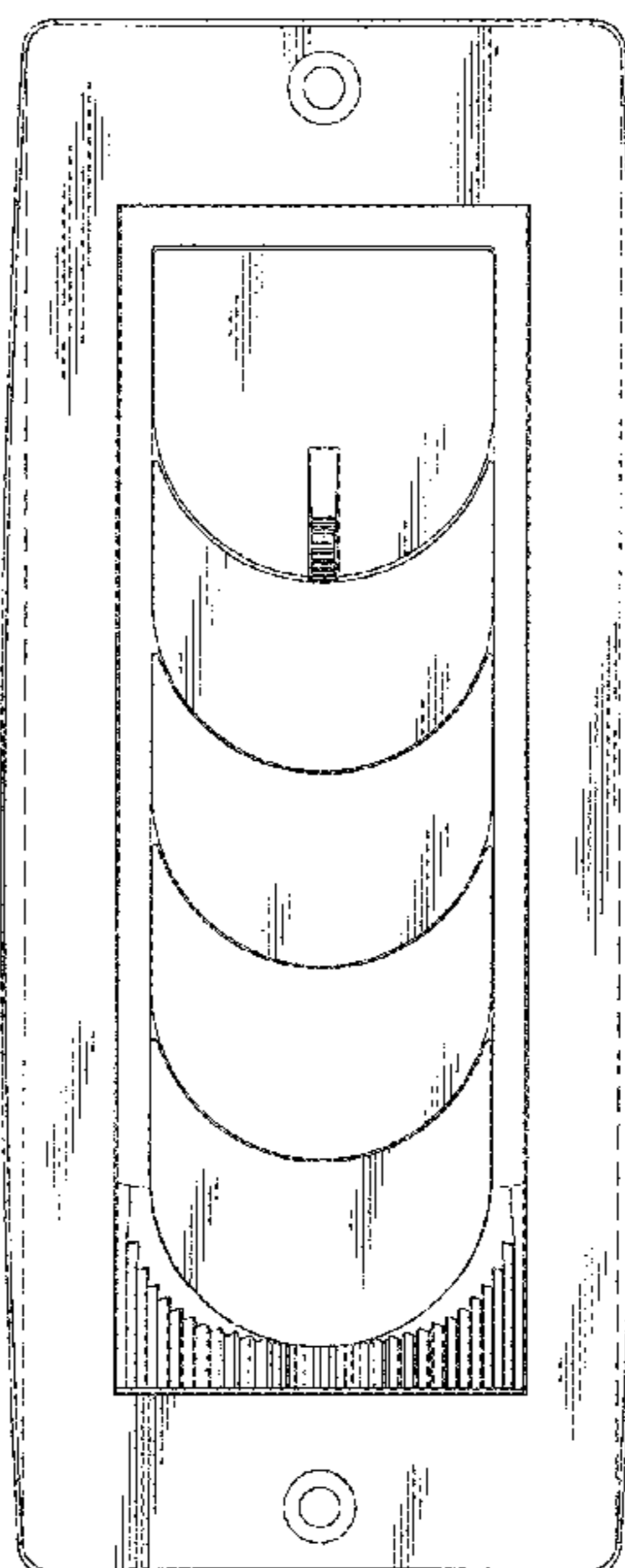
(57) **CLAIM**

The ornamental design for a louver, as shown and described.

DESCRIPTION

FIG. 1 is a front view of my louver;
FIG. 2 is a side elevation view thereof;
FIG. 3 is another elevation side view thereof;
FIG. 4 is a bottom plan view thereof;
FIG. 5 is an end elevation view thereof;
FIG. 6 is another end elevation view thereof; and,
FIG. 7 is a perspective view thereof.
The features shown in broken lines depict environmental subject matter only and form no part of the claimed design.

1 Claim, 7 Drawing Sheets



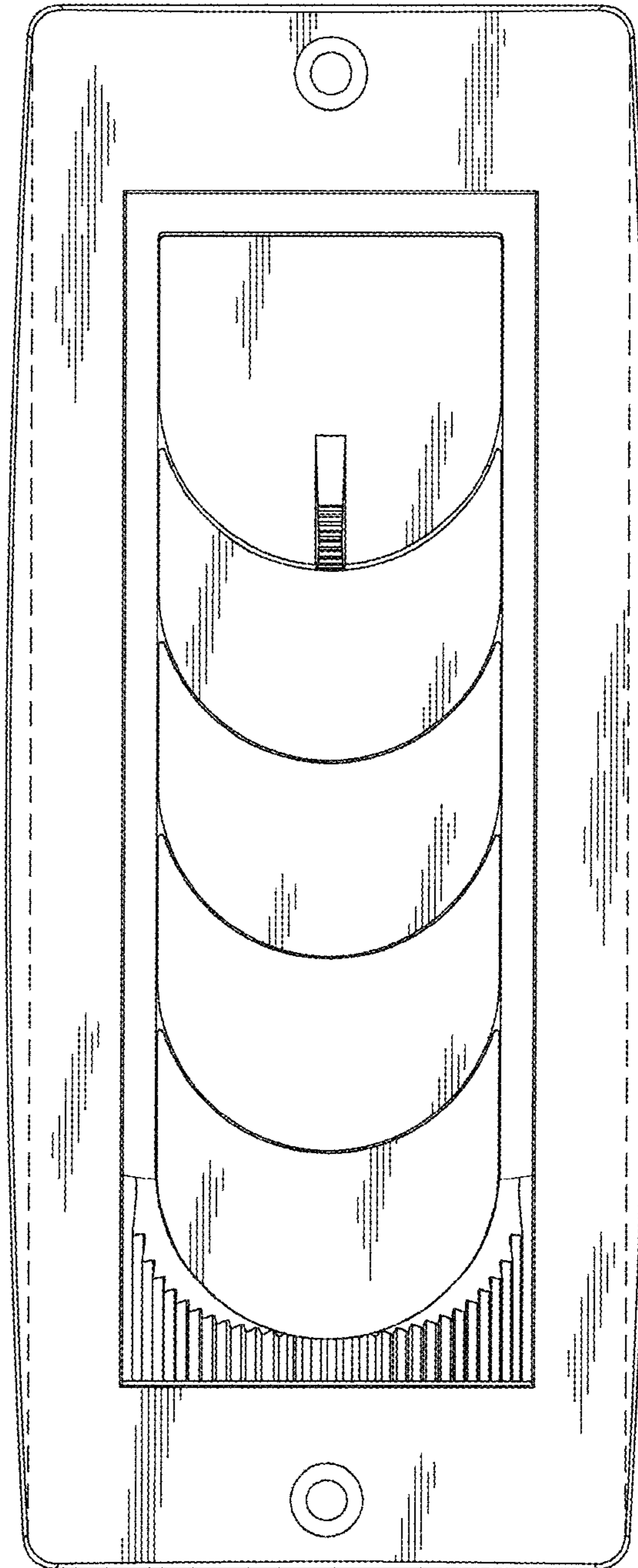


Fig. 1

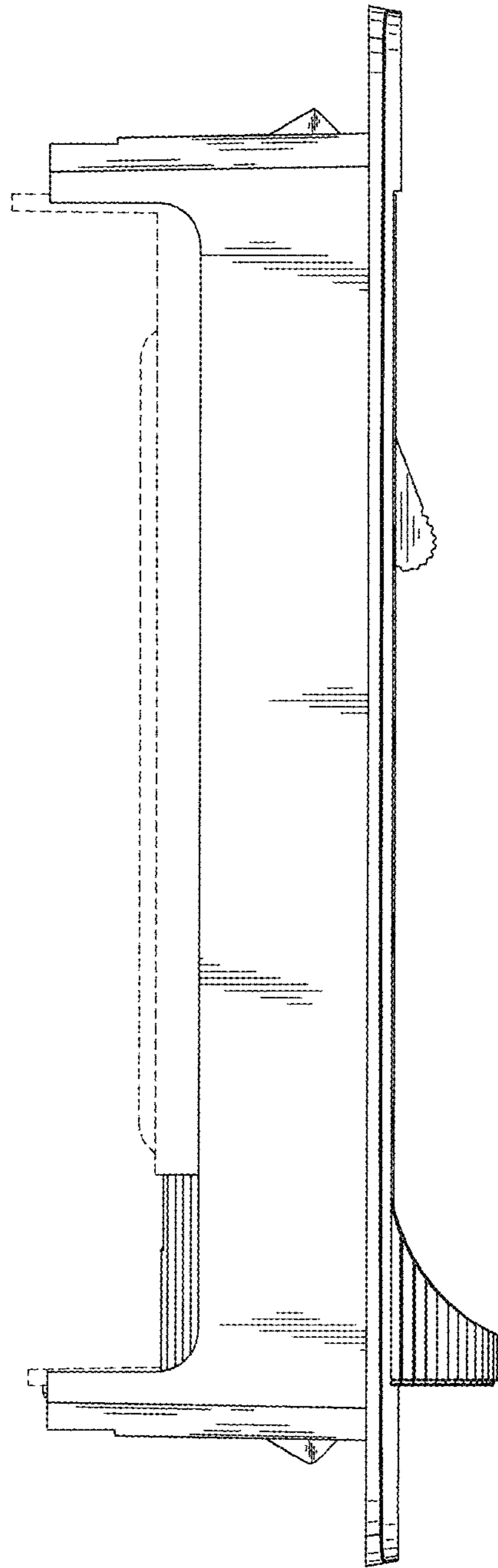


Fig. 2

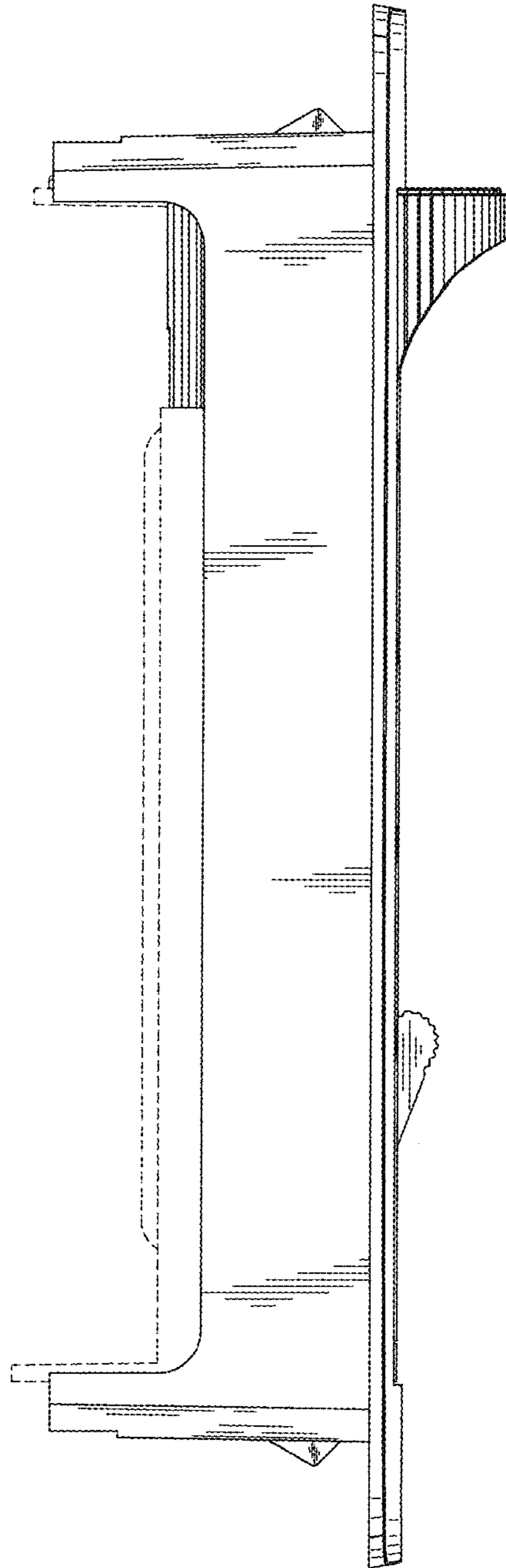


Fig. 3

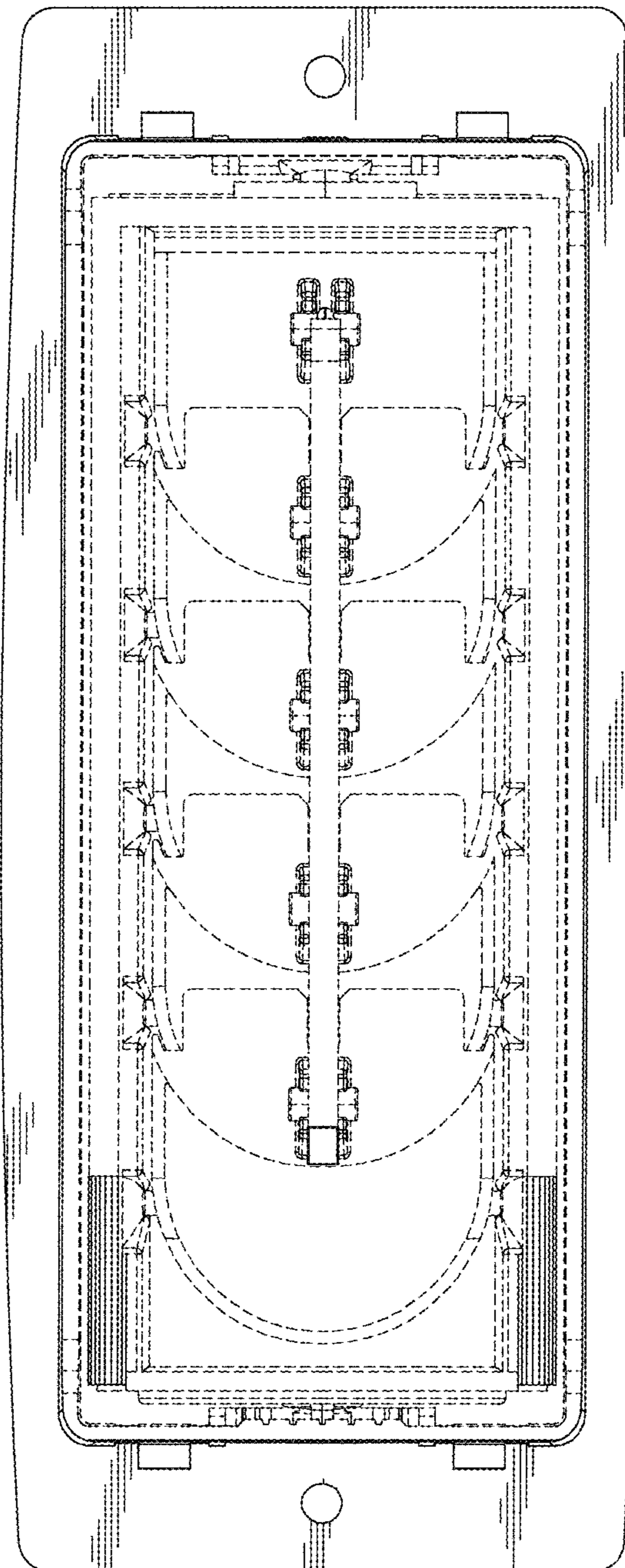


Fig. 4

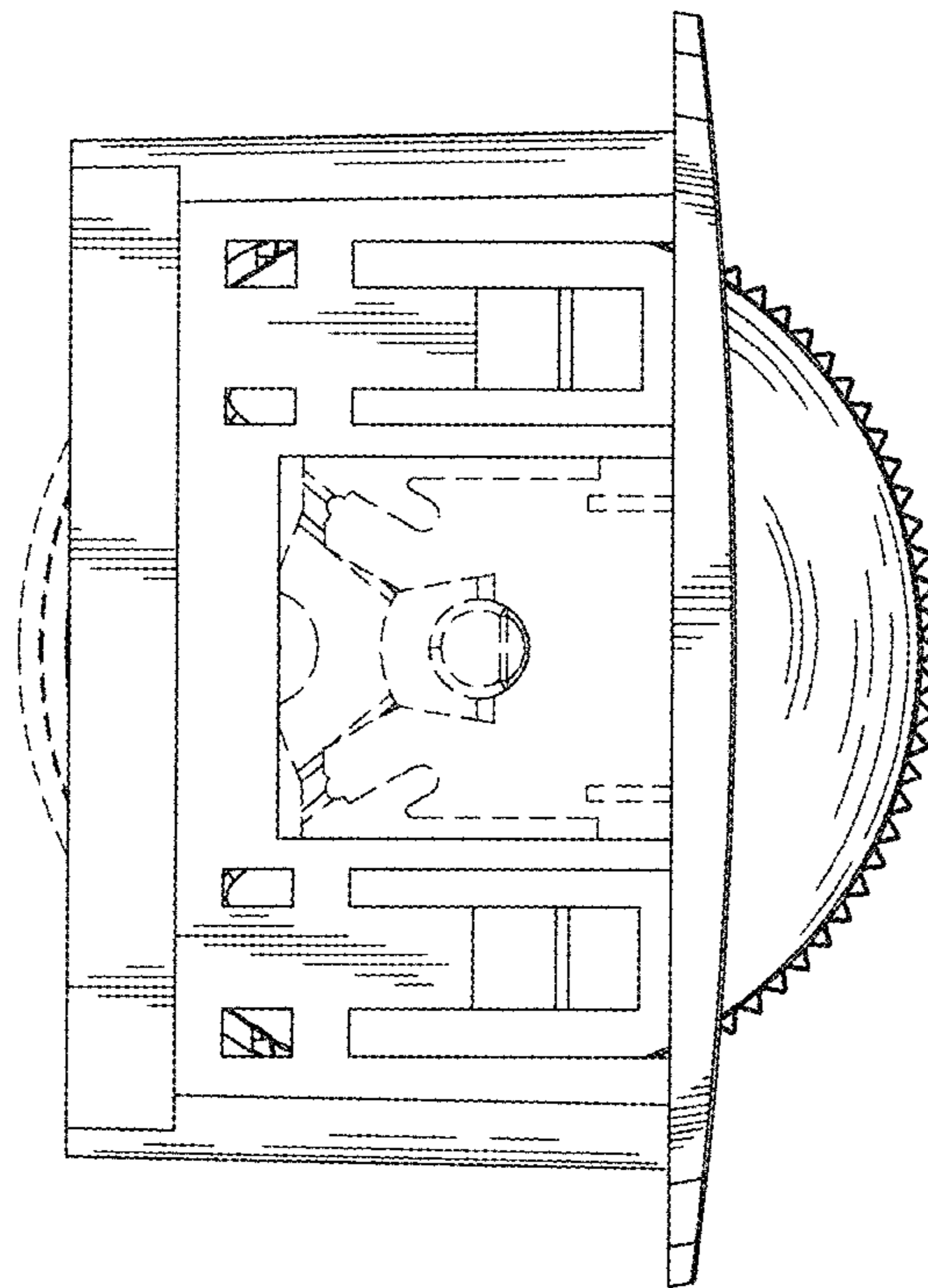


Fig. 5

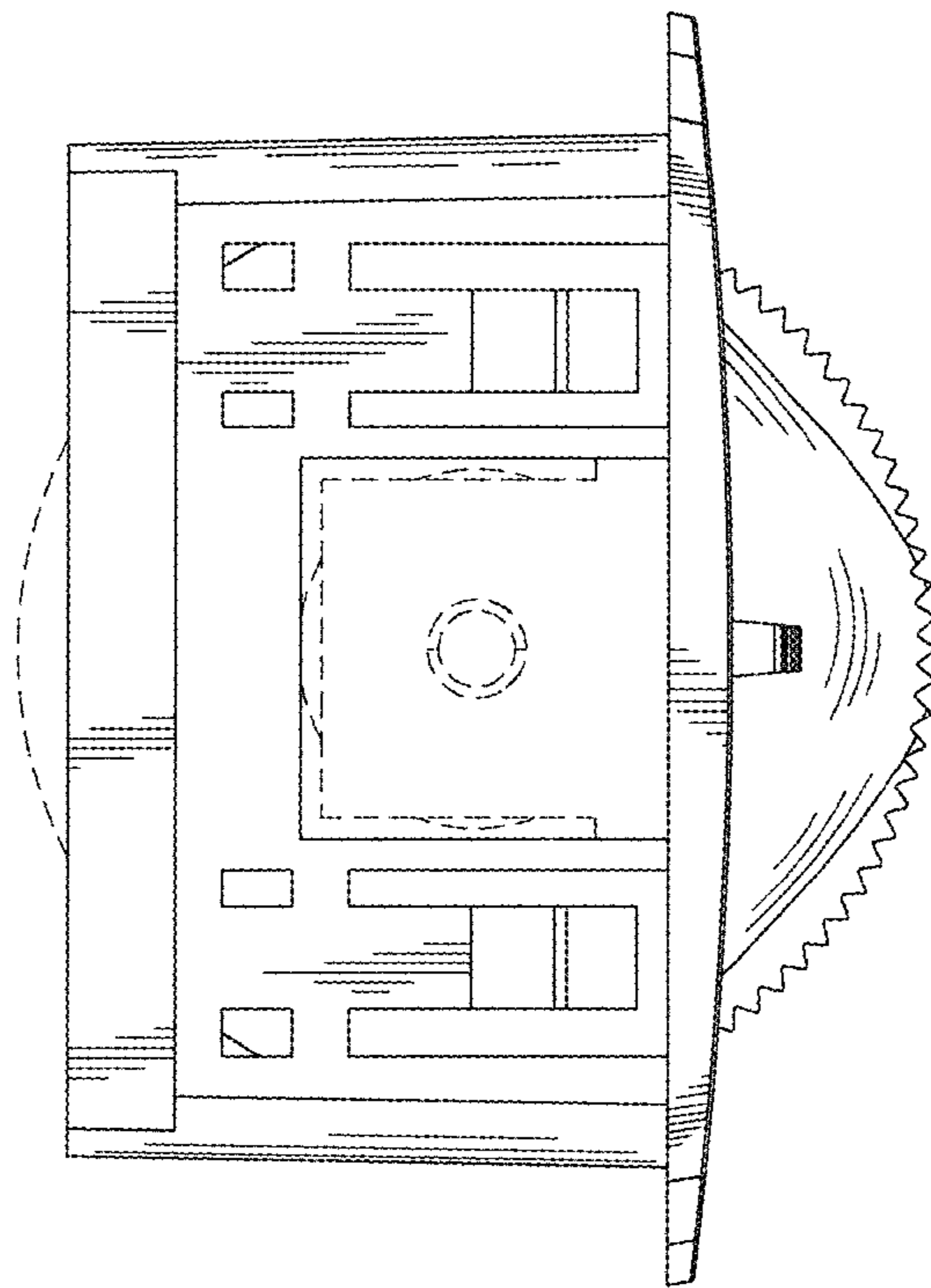


Fig. 6

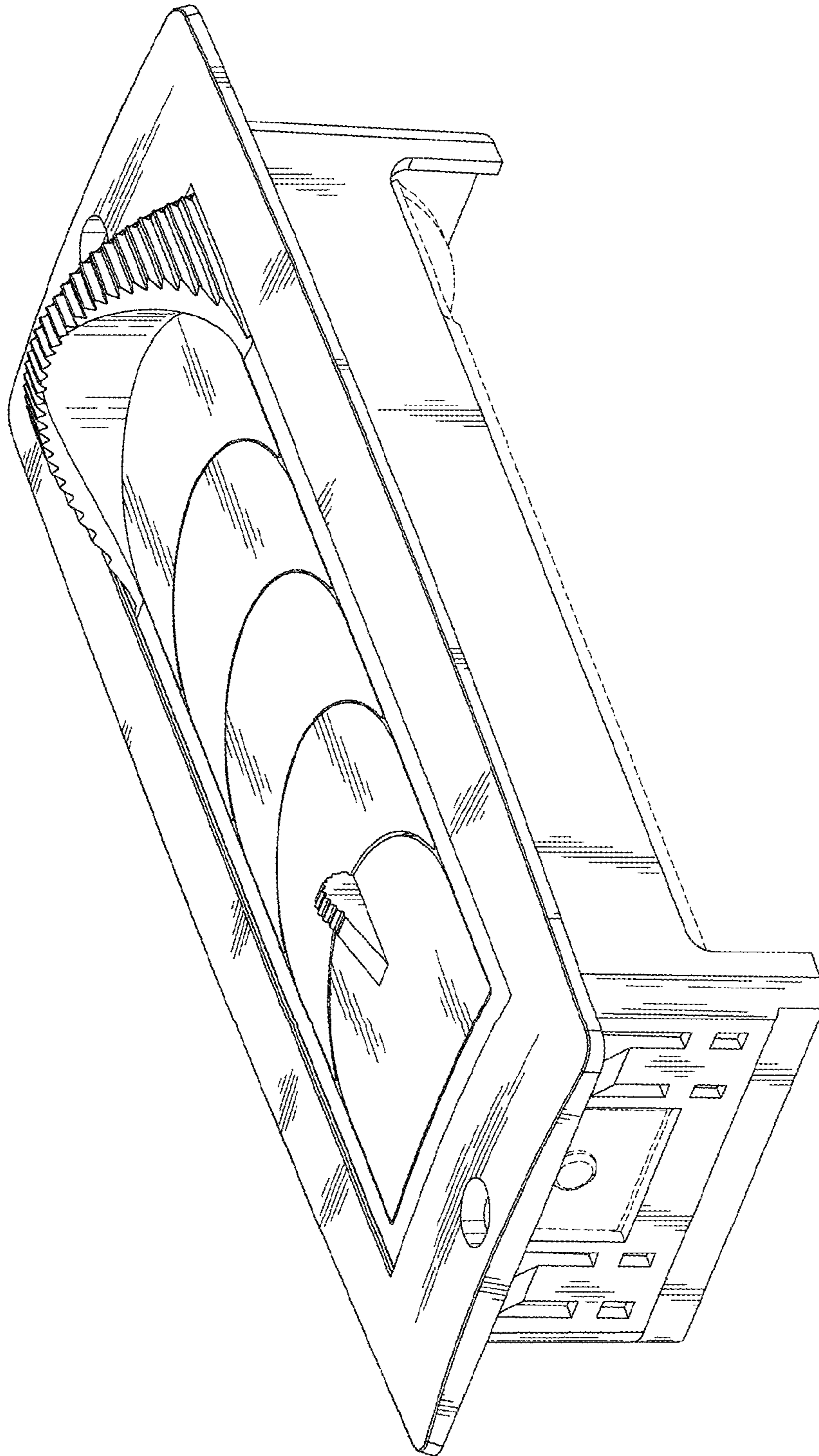


Fig. 7