



US00D785157S

(12) **United States Design Patent** (10) **Patent No.:** **US D785,157 S**
Wang (45) **Date of Patent:** **** Apr. 25, 2017**

(54) **CEILING FAN**
(71) Applicant: **YOUNGO LIMITED**, Hong Kong (CN)
(72) Inventor: **Cliff Wang**, Taichung (TW)
(73) Assignee: **YOUNGO LIMITED**, Hong Kong (CN)
(**) Term: **15 Years**
(21) Appl. No.: **29/552,043**
(22) Filed: **Jan. 20, 2016**
(51) **LOC (10) Cl.** **23-04**
(52) **U.S. Cl.**
USPC **D23/377**
(58) **Field of Classification Search**
USPC D23/355, 370-387, 411-414; D26/59; D12/214
CPC F04D 25/088; F21V 33/0096
See application file for complete search history.

D633,611 S * 3/2011 Pan D23/377
D678,997 S * 3/2013 Gajewski D23/372
D741,468 S * 10/2015 Ertze D23/377
D771,794 S * 11/2016 Wang D23/411
D772,393 S * 11/2016 Wang D23/377
D774,175 S * 12/2016 Wang D23/385
2012/0177496 A1 * 7/2012 Gajewski F04D 25/088
416/204 R

* cited by examiner

Primary Examiner — Cathron Brooks
Assistant Examiner — Sharon S Oum
(74) *Attorney, Agent, or Firm* — Pai Patent & Trademark Law Firm; Chao-Chang David Pai

(57) **CLAIM**

The ornamental design for a ceiling fan, as shown and described.

DESCRIPTION

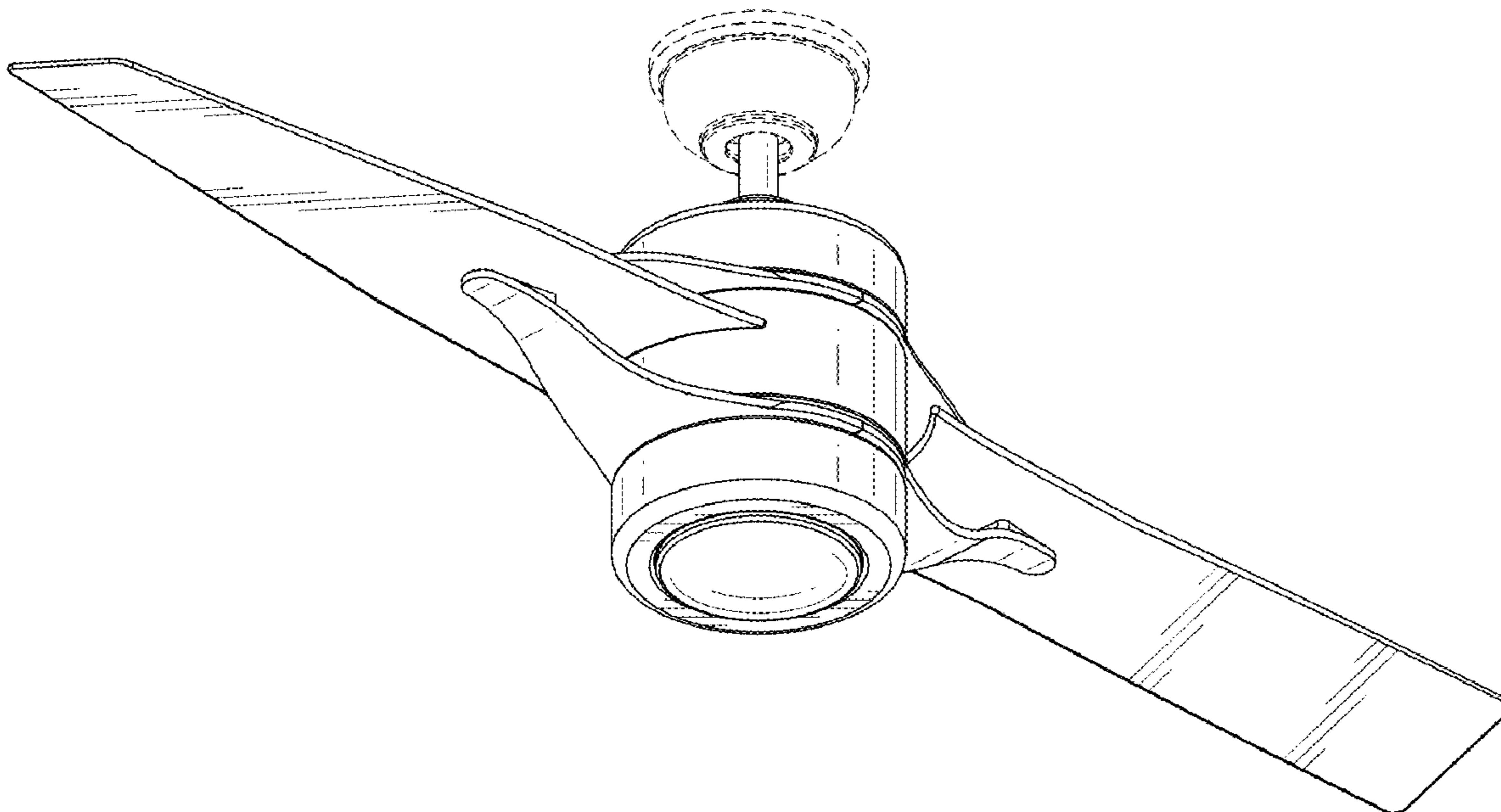
FIG. 1 is a front top perspective view of a ceiling fan showing my new design;
FIG. 2 is a front elevational view thereof
FIG. 3 is a rear elevational view thereof;
FIG. 4 is a left side elevational view thereof;
FIG. 5 is a right side elevational view thereof;
FIG. 6 is a top plan view thereof;
FIG. 7 is a bottom plan view thereof; and,
FIG. 8 is a front bottom perspective view thereof.
The broken lines are for the purpose of illustrating environmental structure and form no part of the claimed design.

1 Claim, 5 Drawing Sheets

(56) **References Cited**

U.S. PATENT DOCUMENTS

D297,974 S * 10/1988 Sonneman D23/377
D333,867 S * 3/1993 Markwardt D23/377
D516,696 S * 3/2006 Chen D23/377
D594,542 S * 6/2009 Pan D23/377
D598,998 S * 8/2009 Flores D23/377
D609,799 S * 2/2010 Lee D23/377
D628,688 S * 12/2010 Pan D23/377



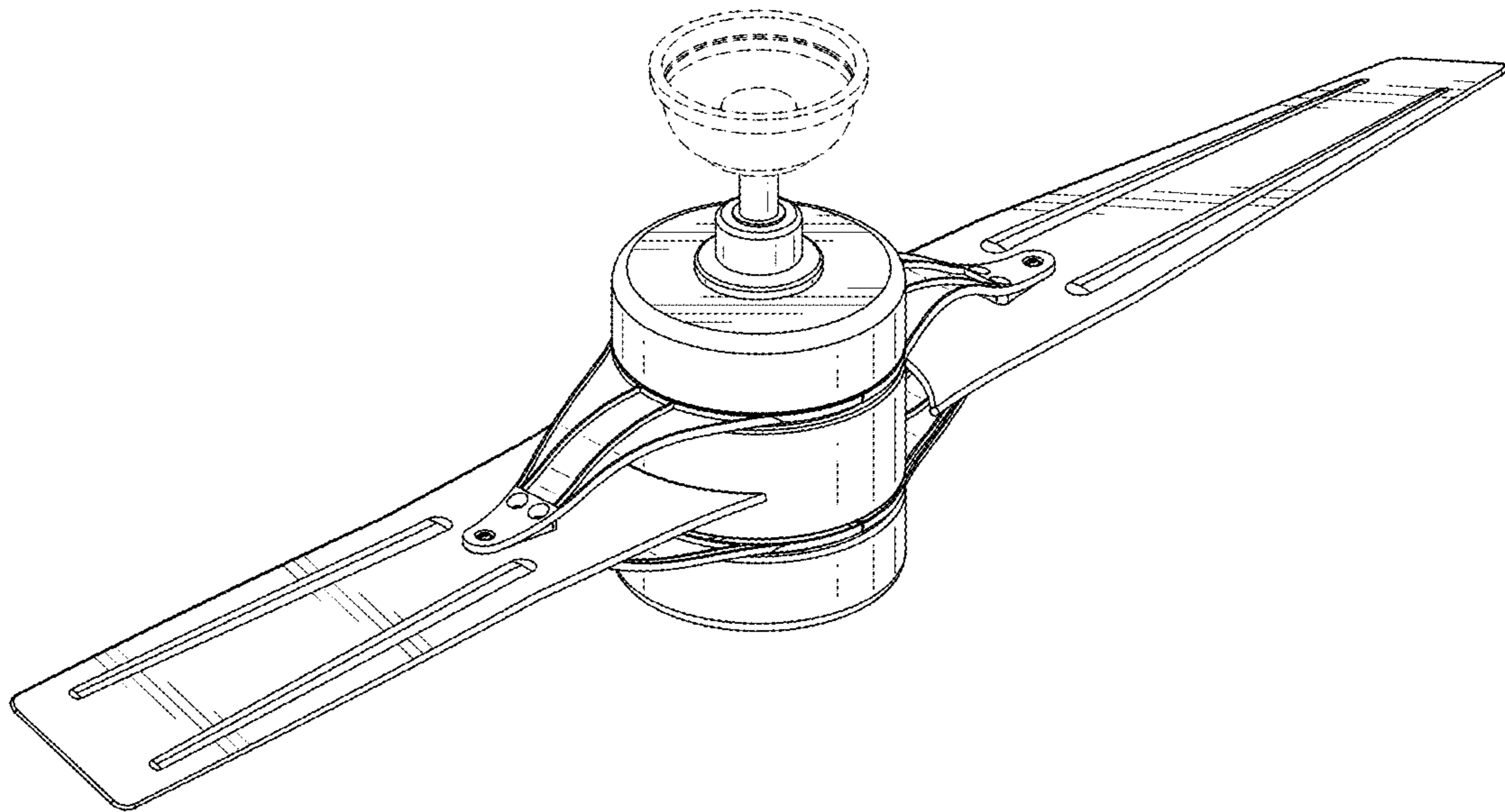


FIG. 1

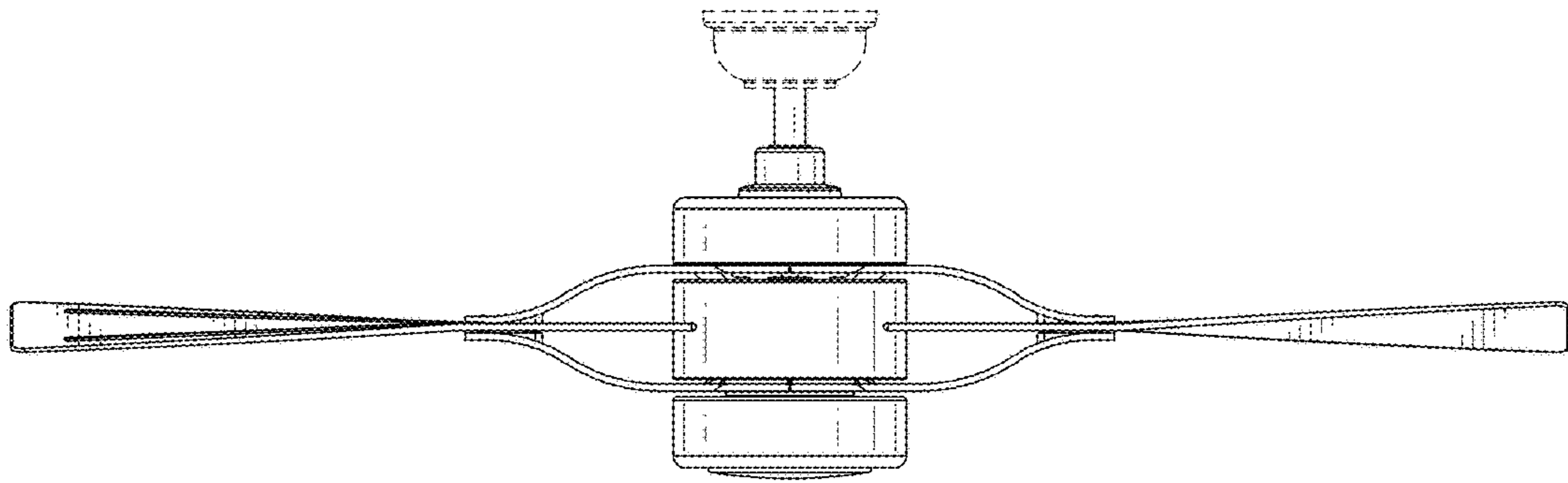


FIG. 2

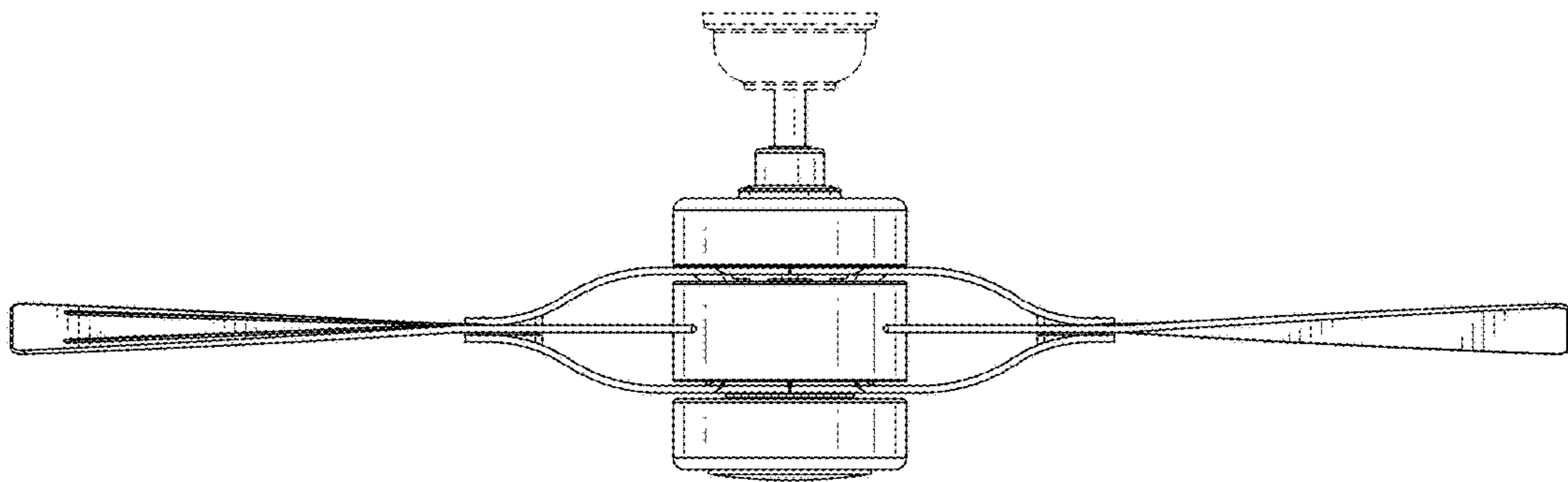


FIG. 3

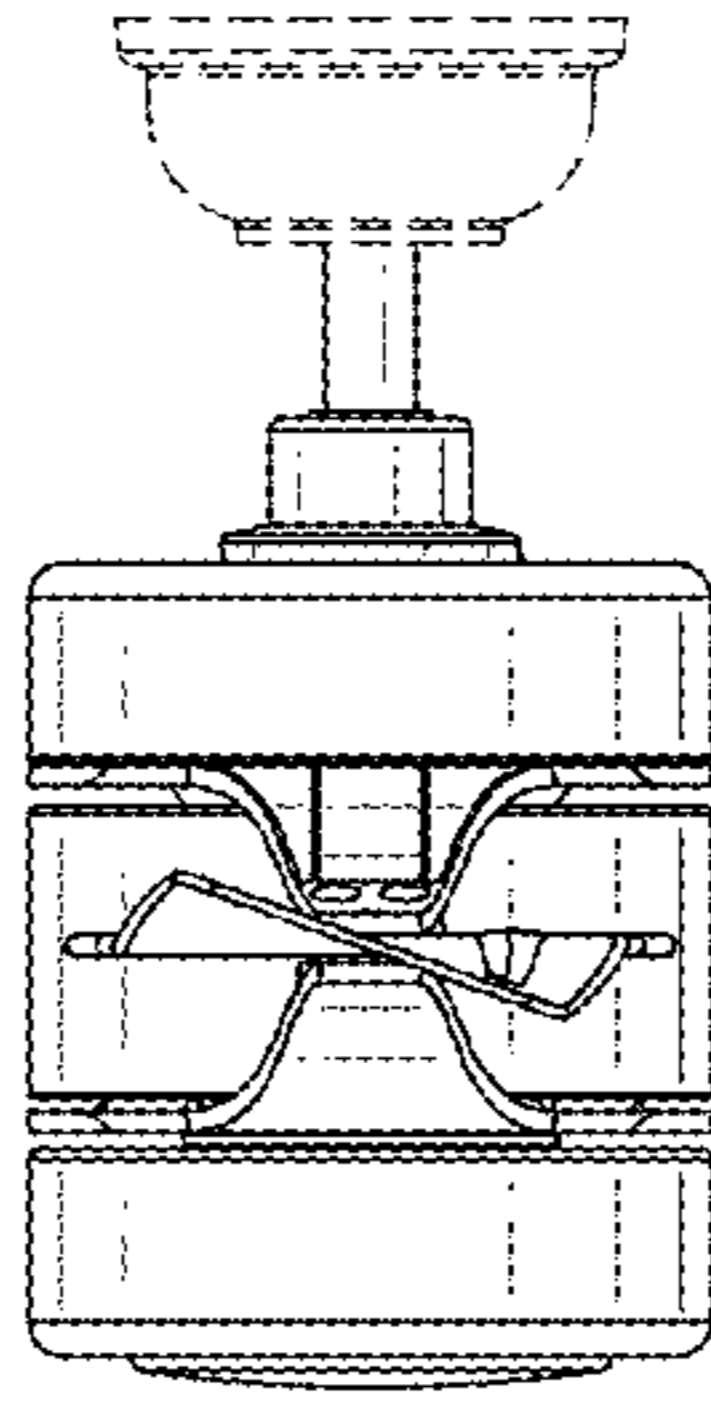


FIG. 4

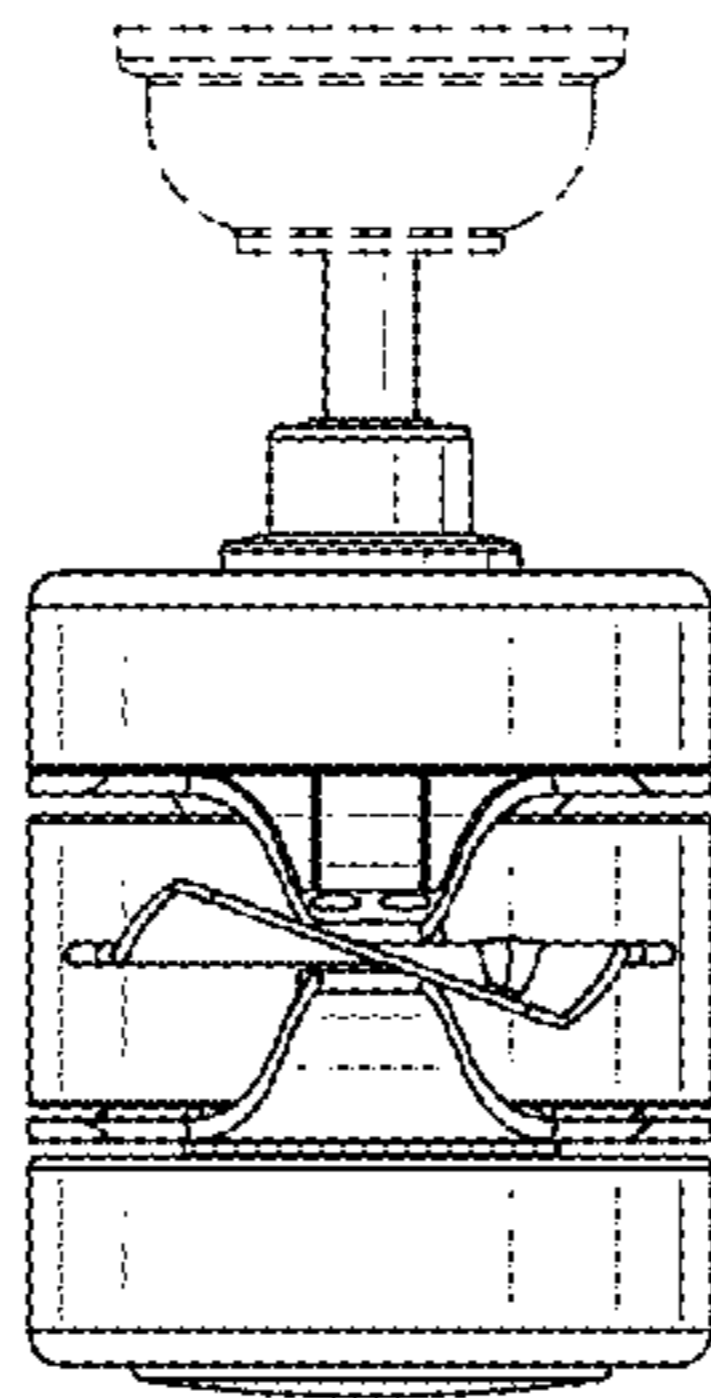


FIG. 5

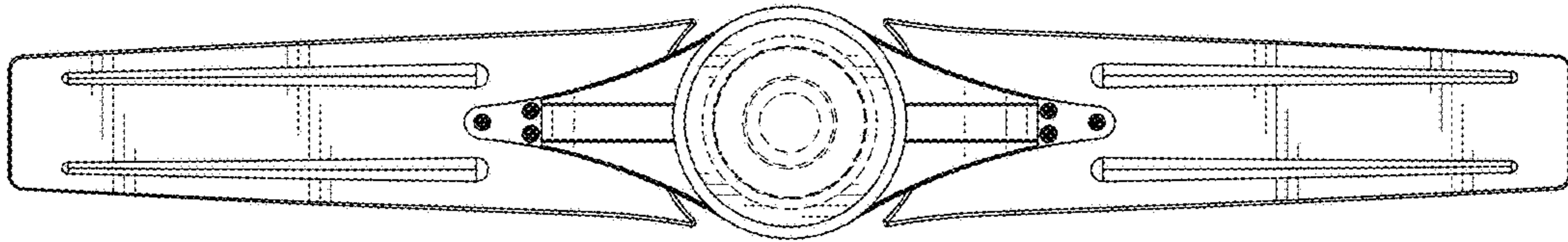


FIG. 6

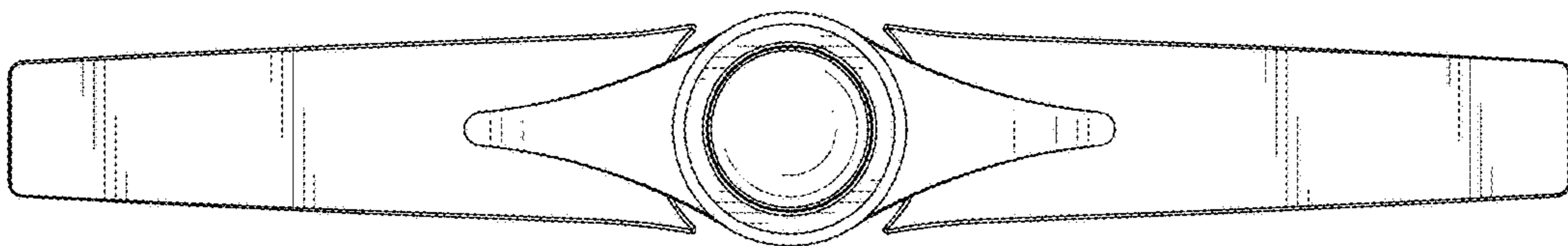


FIG. 7

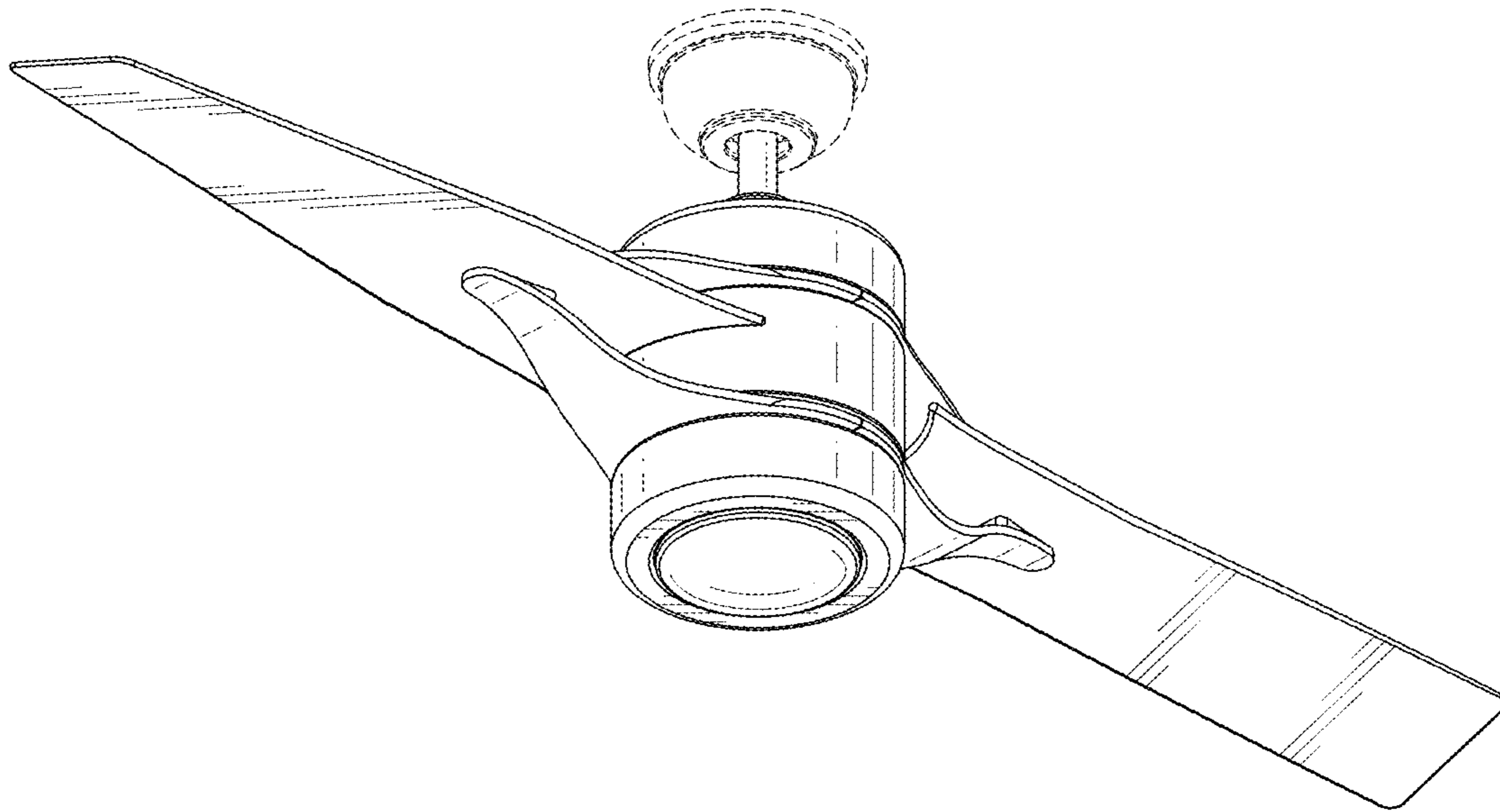


FIG. 8