



US00D785156S

(12) **United States Design Patent** (10) **Patent No.:** **US D785,156 S**
Wang (45) **Date of Patent:** **** Apr. 25, 2017**

- (54) **CEILING FAN**
- (71) Applicant: **YOUNGO LIMITED**, Hong Kong (CN)
- (72) Inventor: **Cliff Wang**, Taichung (TW)
- (73) Assignee: **YOUNGO LIMITED**, Hong Kong (HK)
- (**) Term: **15 Years**
- (21) Appl. No.: **29/549,189**
- (22) Filed: **Dec. 18, 2015**
- (51) **LOC (10) Cl.** **23-04**
- (52) **U.S. Cl.**
USPC **D23/377**
- (58) **Field of Classification Search**
USPC D23/355, 370–387, 411–414; D26/59; D12/214
CPC F04D 25/088; F21V 33/0096
See application file for complete search history.

(56) **References Cited**

U.S. PATENT DOCUMENTS

D346,439 S *	4/1994	Liu	D23/377
D404,808 S *	1/1999	Tai	D23/377
D404,809 S *	1/1999	Tai	D23/377
D405,878 S *	2/1999	Tai	D23/377
D421,797 S *	3/2000	Collmar	D23/377
D445,887 S *	7/2001	Campbell	D23/377
D479,317 S *	9/2003	Gajewski	D23/377
D480,128 S *	9/2003	Gajewski	D23/377

D480,463 S *	10/2003	Gajewski	D23/377
D480,464 S *	10/2003	Liu	D23/377
D507,347 S *	7/2005	Young	D23/411
D510,621 S *	10/2005	Gajewski	D23/377
D513,316 S *	12/2005	Gajewski	D23/377
D516,696 S *	3/2006	Chen	D23/377
D525,699 S *	7/2006	Davenport	D23/377
D595,400 S *	6/2009	Young	D23/377
D598,998 S *	8/2009	Flores	D23/377
D741,468 S *	10/2015	Ertze	D23/377

* cited by examiner

Primary Examiner — Cathron Brooks

Assistant Examiner — Sharon S Oum

(74) *Attorney, Agent, or Firm* — Pai Patent & Trademark Law Firm; Chao-Chang David Pai

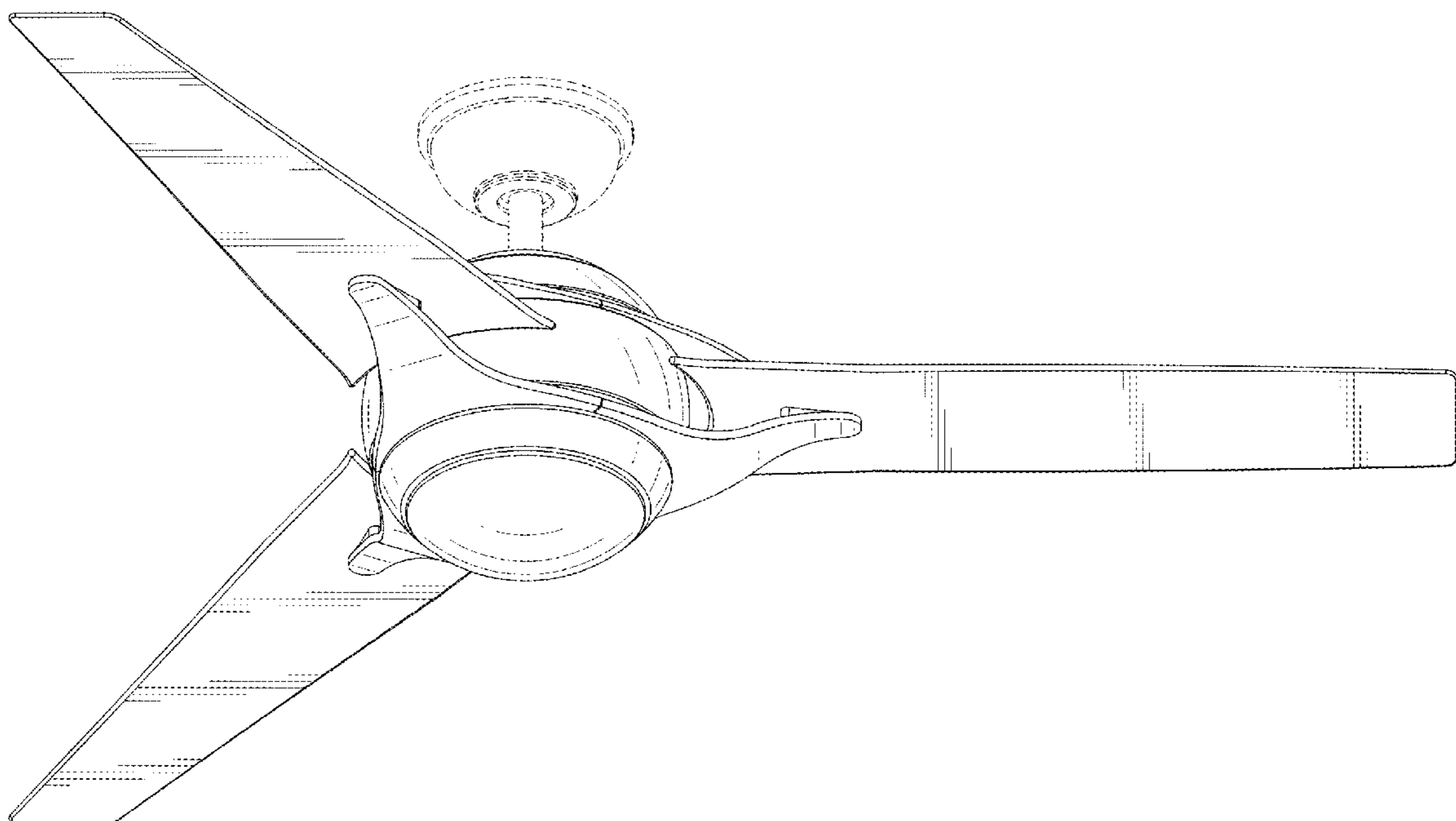
(57) **CLAIM**

The ornamental design for a ceiling fan, as shown and described.

DESCRIPTION

FIG. 1 is a front top perspective view of a ceiling fan showing my new design;
 FIG. 2 is a front elevational view thereof;
 FIG. 3 is a rear elevational view thereof;
 FIG. 4 is a left side elevational view thereof;
 FIG. 5 is a right side elevational view thereof;
 FIG. 6 is a top plan view thereof;
 FIG. 7 is a bottom plan view thereof; and,
 FIG. 8 is a front bottom perspective view thereof.
 The broken lines are for the purpose of illustrating environmental structure and form no part of the claimed design.

1 Claim, 6 Drawing Sheets



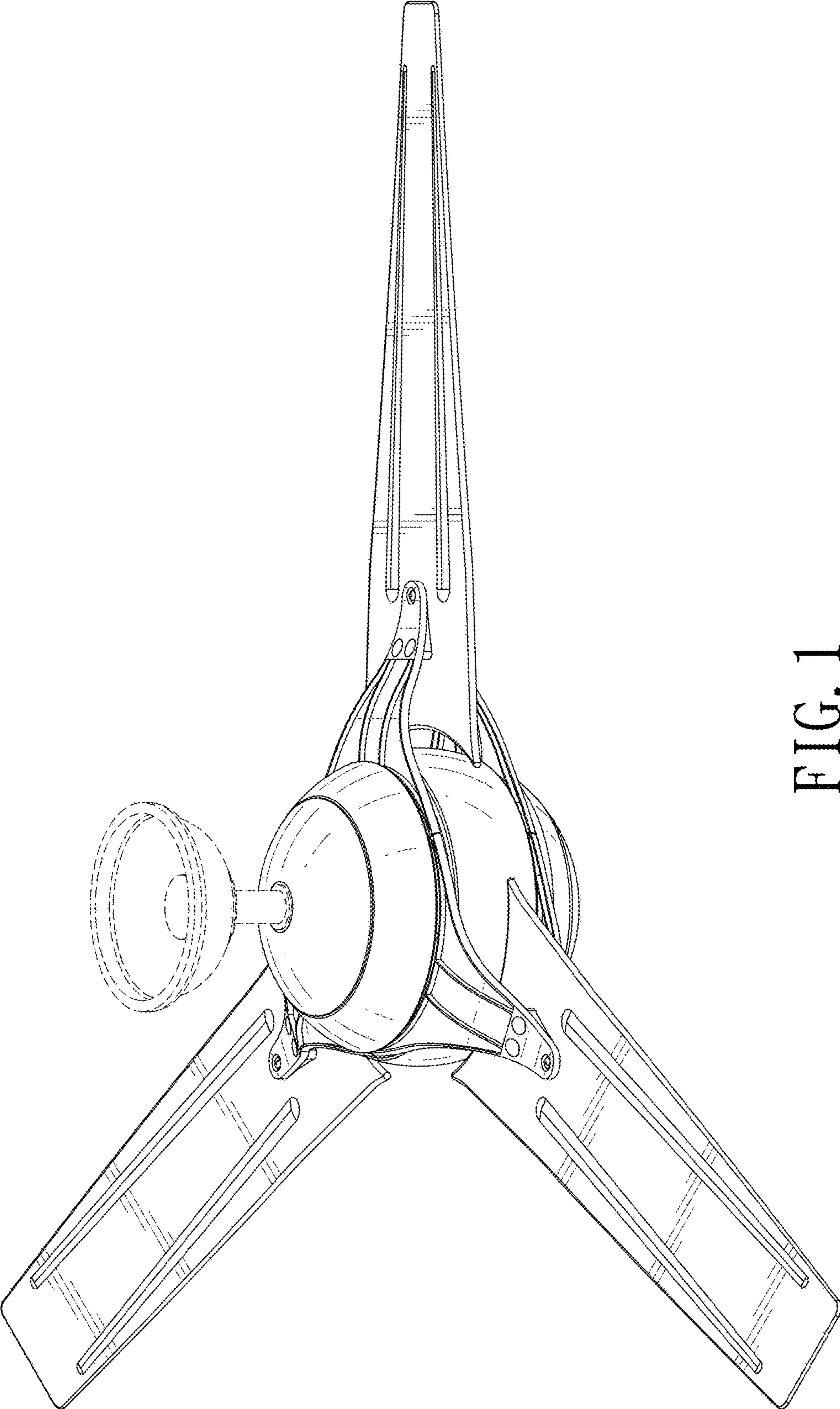


FIG. 1

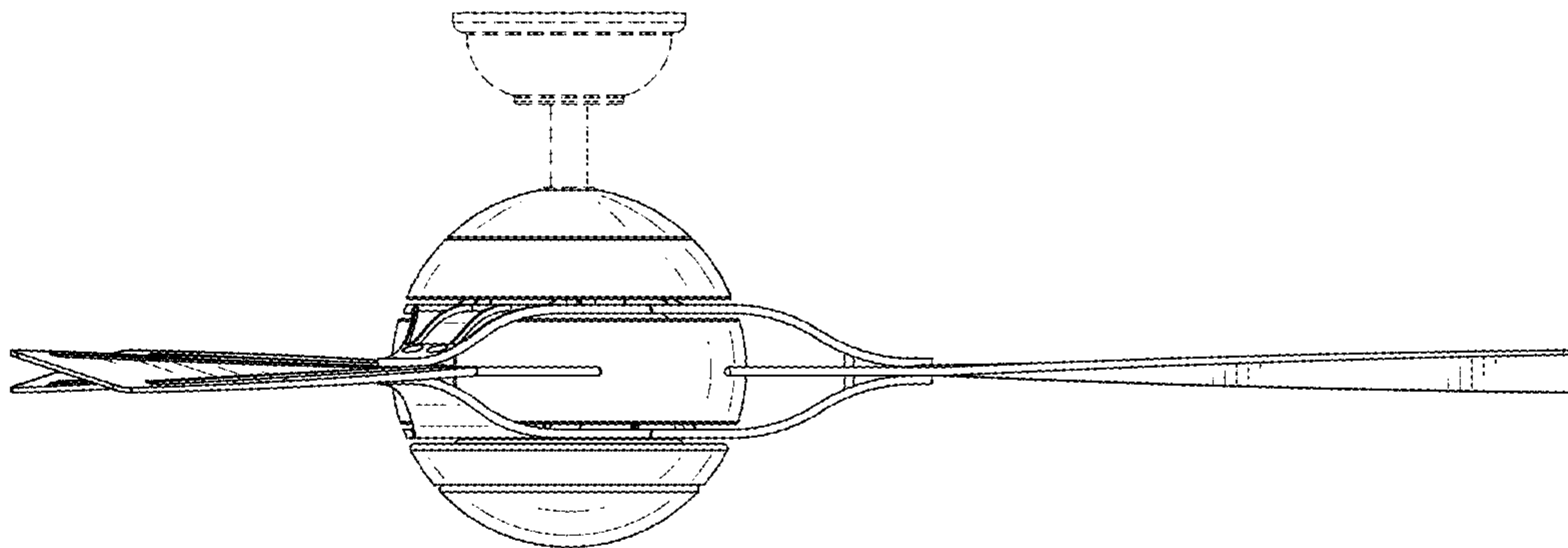


FIG. 2

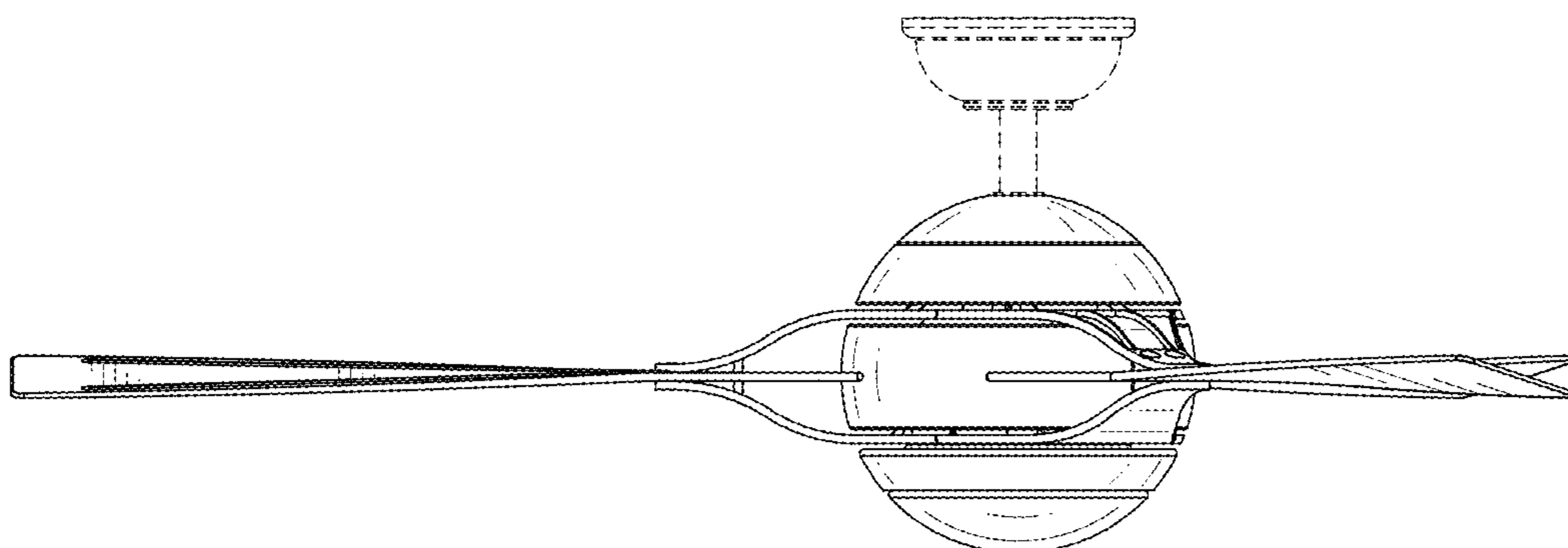


FIG. 3

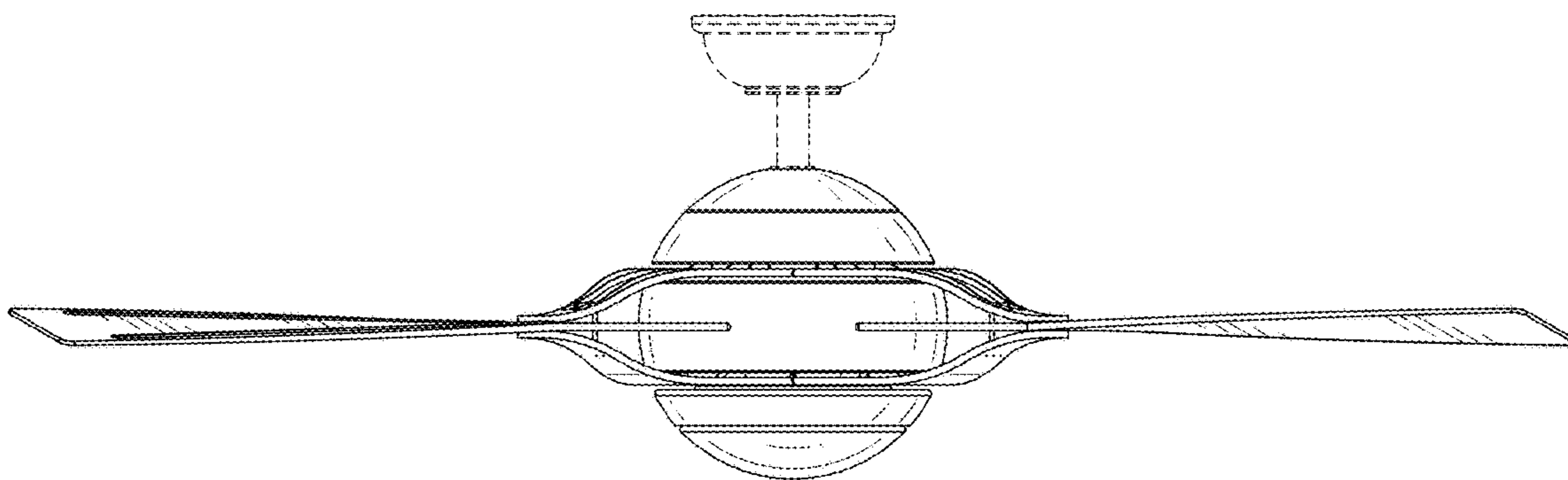


FIG. 4

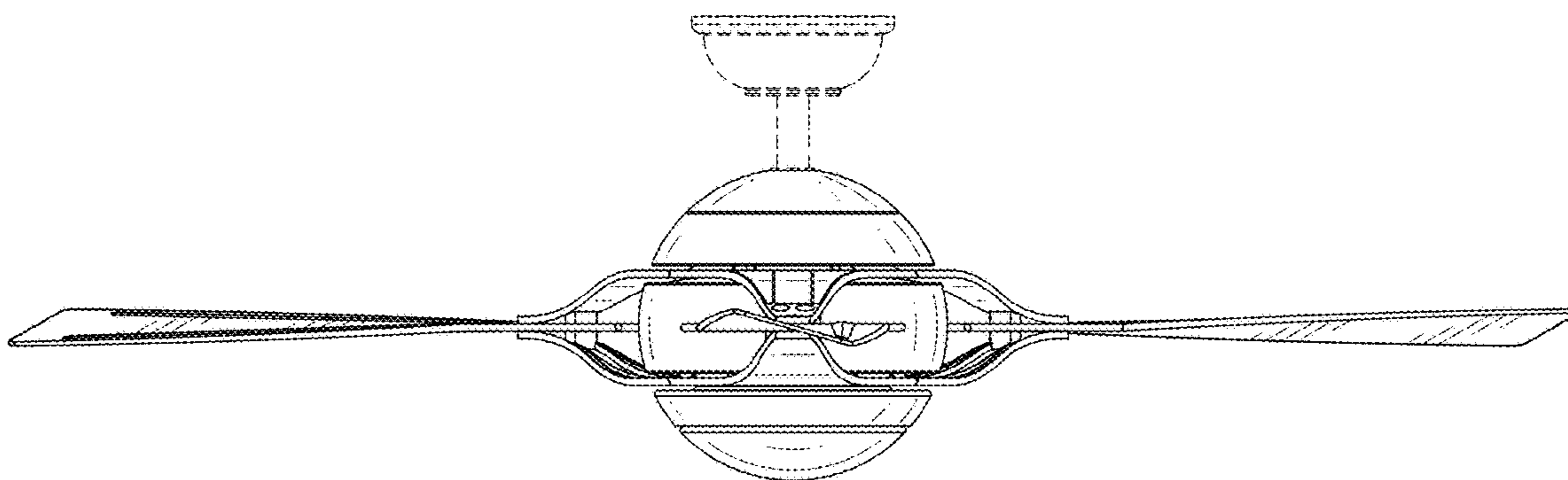


FIG. 5

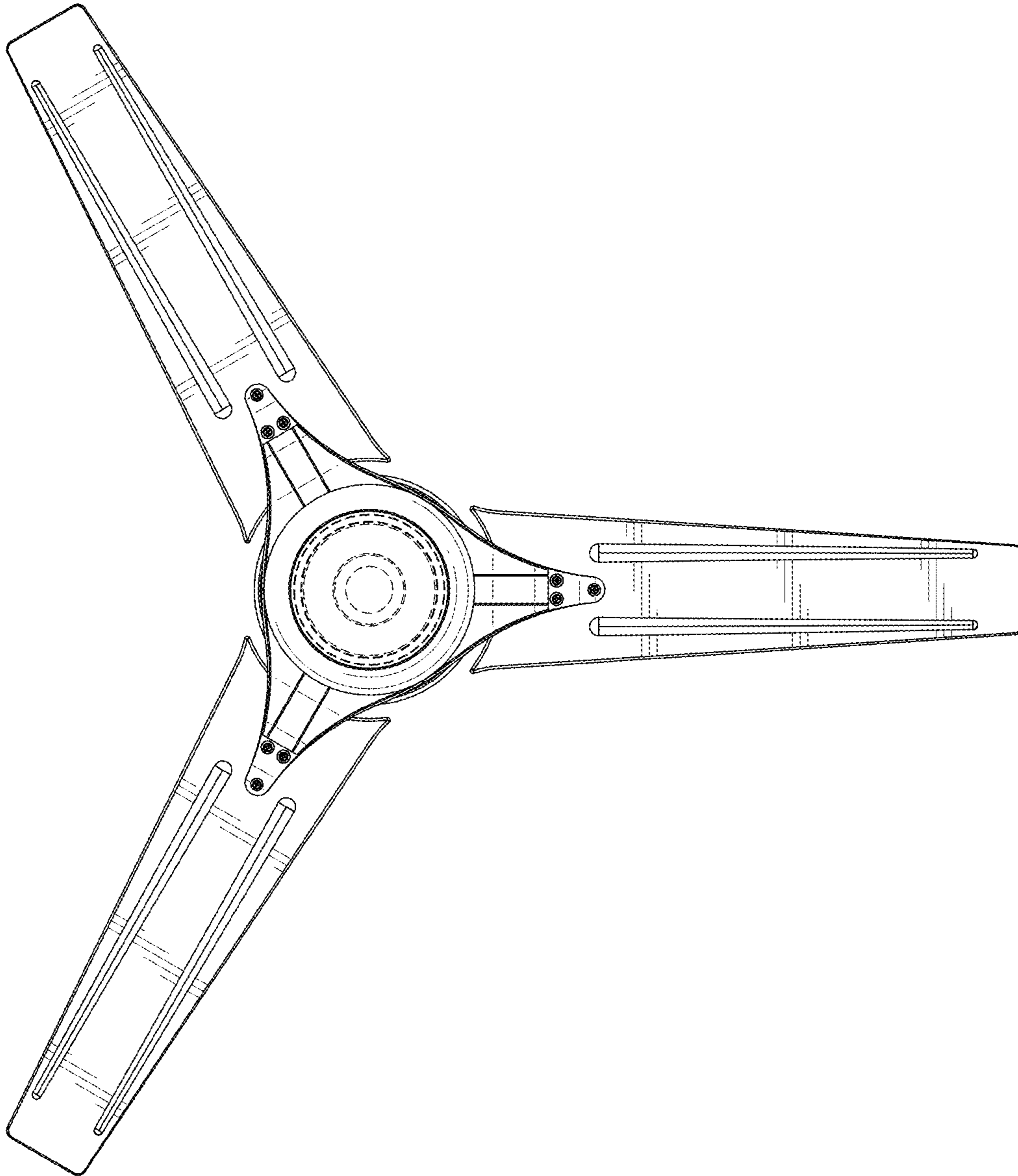


FIG. 6

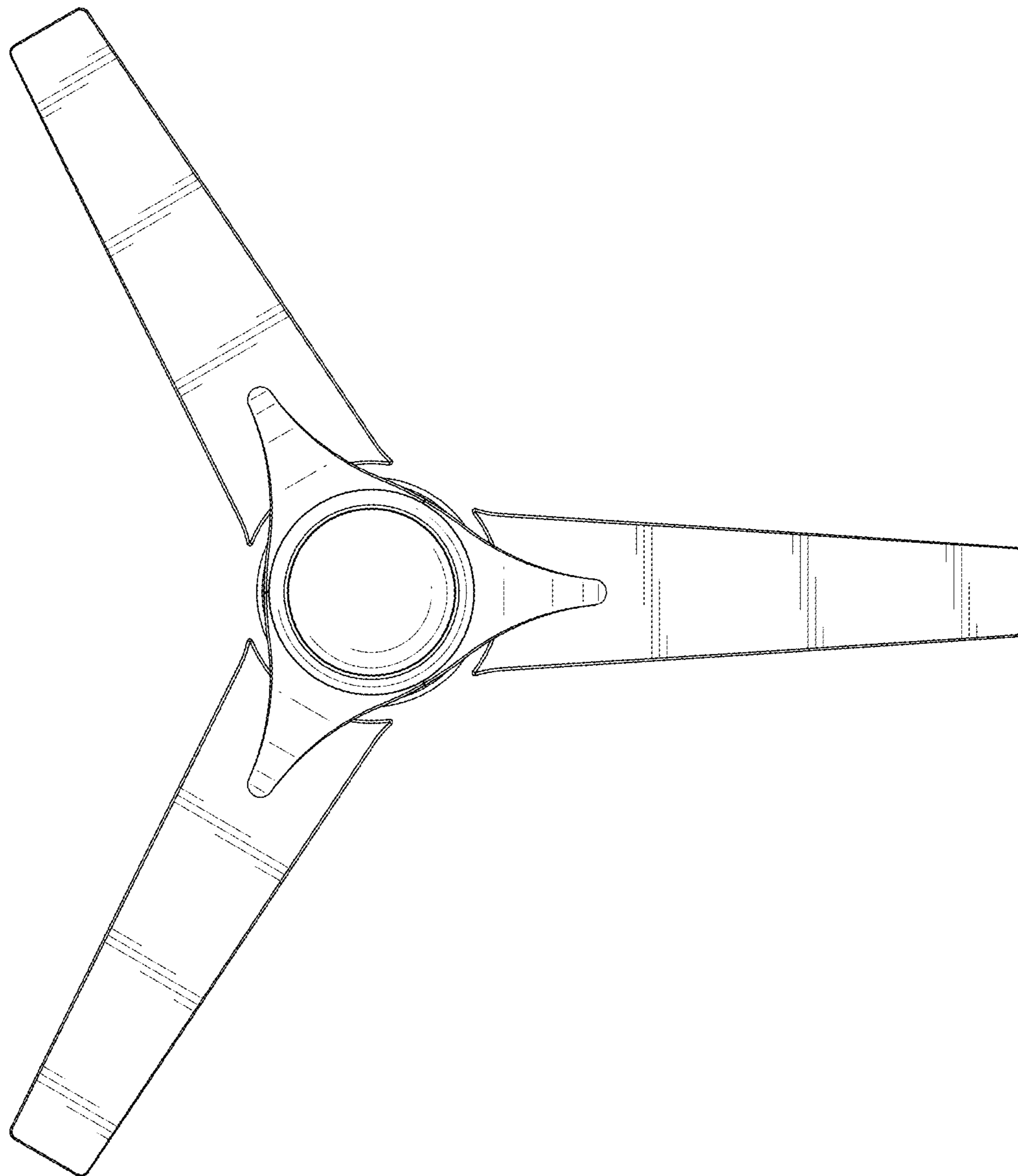


FIG. 7

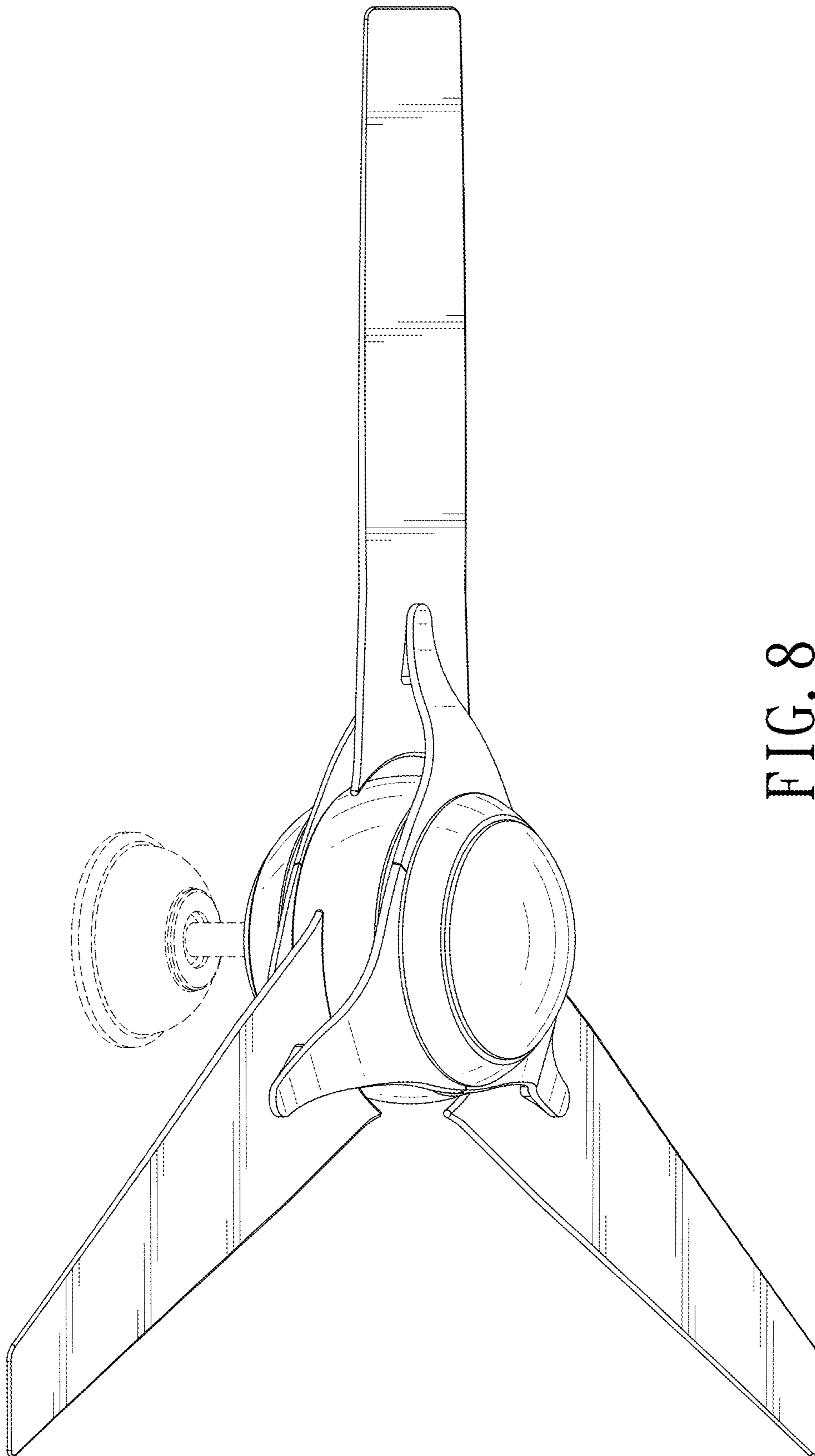


FIG. 8