



US00D785151S

(12) **United States Design Patent**
Oktayer

(10) **Patent No.:** **US D785,151 S**

(45) **Date of Patent:** **** Apr. 25, 2017**

(54) **CONDENSER**

(71) Applicant: **ATM Beyaz Eshya Parcalari Sanayi ve Ticaret Limited Sirketi,**
GOSB—Gebze/Kocaeli (TR)

(72) Inventor: **Besim Oktayer,** Gebze/Kocaeli (TR)

(**) Term: **14 Years**

(21) Appl. No.: **29/499,250**

(22) Filed: **Aug. 13, 2014**

(51) **LOC (10) Cl.** **23-04**

(52) **U.S. Cl.**
USPC **D23/354**

(58) **Field of Classification Search**
USPC D15/89; D23/314, 317, 324, 325, 328,
D23/329, 330, 332, 333, 335, 341, 342,
D23/351, 353, 354, 355, 356, 357, 359,
D23/364, 365, 366, 370, 375, 379, 385,
D23/386, 388, 393, 499
CPC F24F 1/00; F24F 1/02; F24F 1/08; F24F
1/42; F24F 1/46; F24F 1/60; F24F
1/0003; F24F 1/007; F24F 1/0011; F24F
3/044; F24F 3/048; F24F 3/16; F24F
7/00; F24F 7/04; F24F 12/001; F24F
12/006; F24F 13/20
See application file for complete search history.

5,896,920 A * 4/1999 Jun F28F 1/325
165/146

6,318,105 B1 * 11/2001 Bushnell F24F 1/027
62/262

6,338,257 B1 * 1/2002 Chiu F24F 1/42
62/171

7,587,908 B2 * 9/2009 Kim F24F 1/0011
62/262

D655,728 S * 3/2012 Seno D15/89

2004/0107723 A1 * 6/2004 Lee F24F 1/022
62/406

2009/0025413 A1 * 1/2009 Koga F24F 1/00
62/259.1

2010/0294466 A1 * 11/2010 Shimaoka F24F 1/24
165/104.33

2011/0126567 A1 * 6/2011 Asanuma F24F 1/0003
62/259.1

* cited by examiner

Primary Examiner — Susan E Krakower
Assistant Examiner — Lisa A Grabenstetter
(74) *Attorney, Agent, or Firm* — Egbert Law Offices,
PLLC

(57) **CLAIM**

The ornamental design for a condenser, as shown and described.

DESCRIPTION

FIG. 1 is a perspective view of a condenser showing my new design, drawn in reduced scale for ease of illustration;
FIG. 2 is a front view thereof;
FIG. 3 is a rear view thereof;
FIG. 4 is a side view thereof;
FIG. 5 is a side view thereof;
FIG. 6 is a top plan view thereof; and,
FIG. 7 is a bottom plan view thereof.

1 Claim, 7 Drawing Sheets

(56) **References Cited**

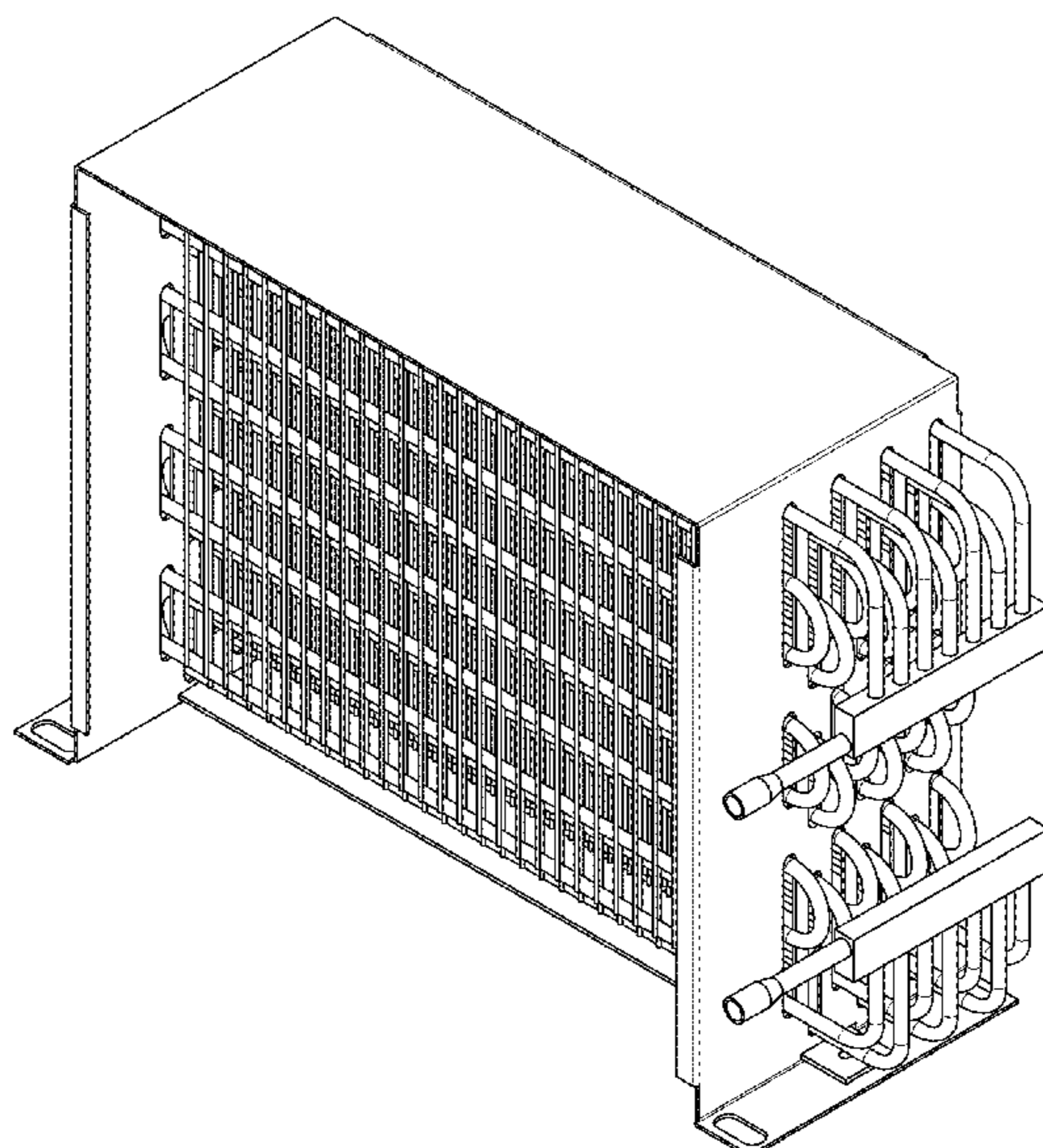
U.S. PATENT DOCUMENTS

2,710,509 A * 6/1955 Ayling F24F 3/1405
165/131

3,373,577 A * 3/1968 Bohman F24F 5/001
62/180

D356,367 S * 3/1995 Kolb D23/386

5,775,119 A * 7/1998 Yamada F24F 1/06
312/100



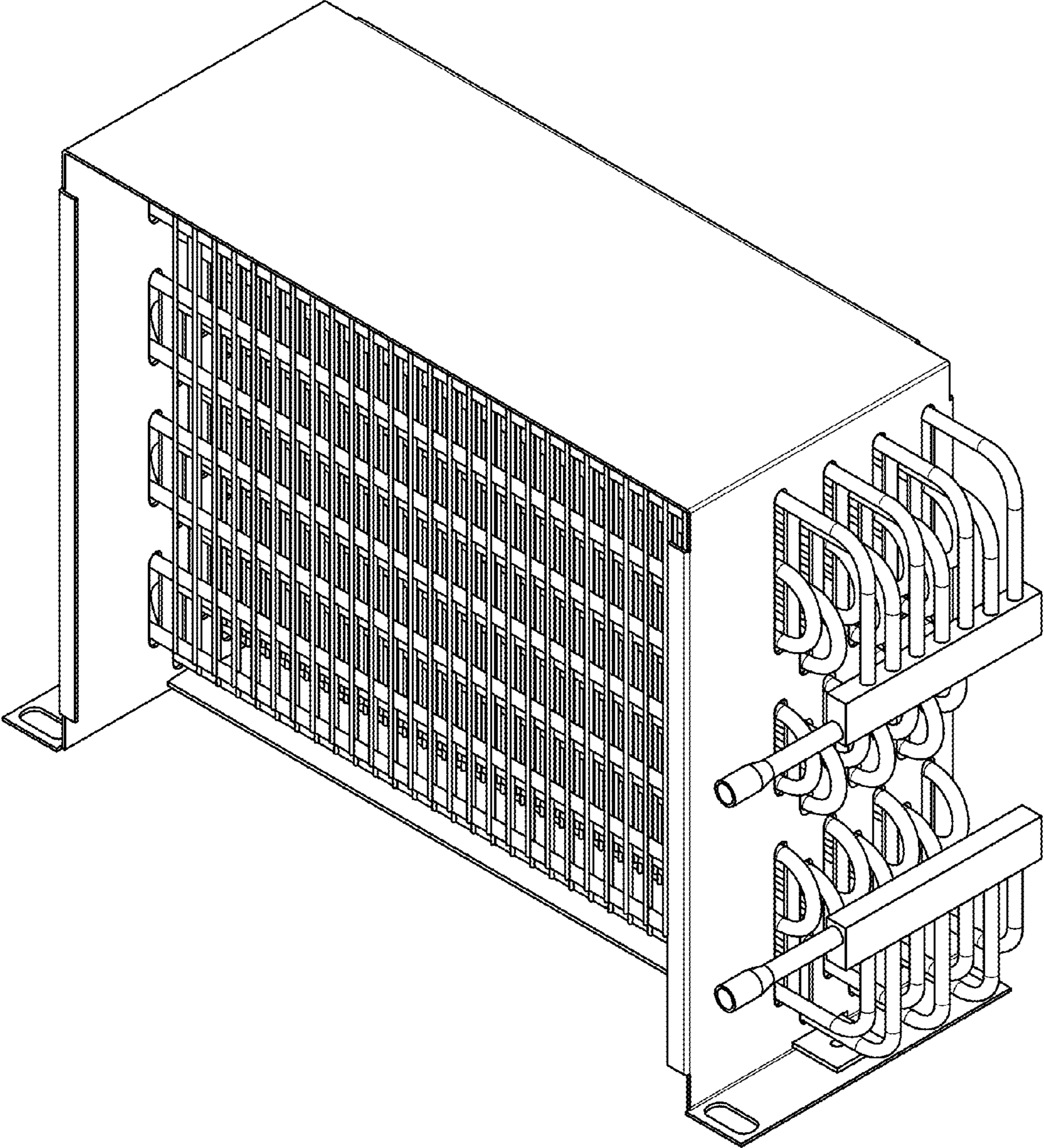


FIG. 1

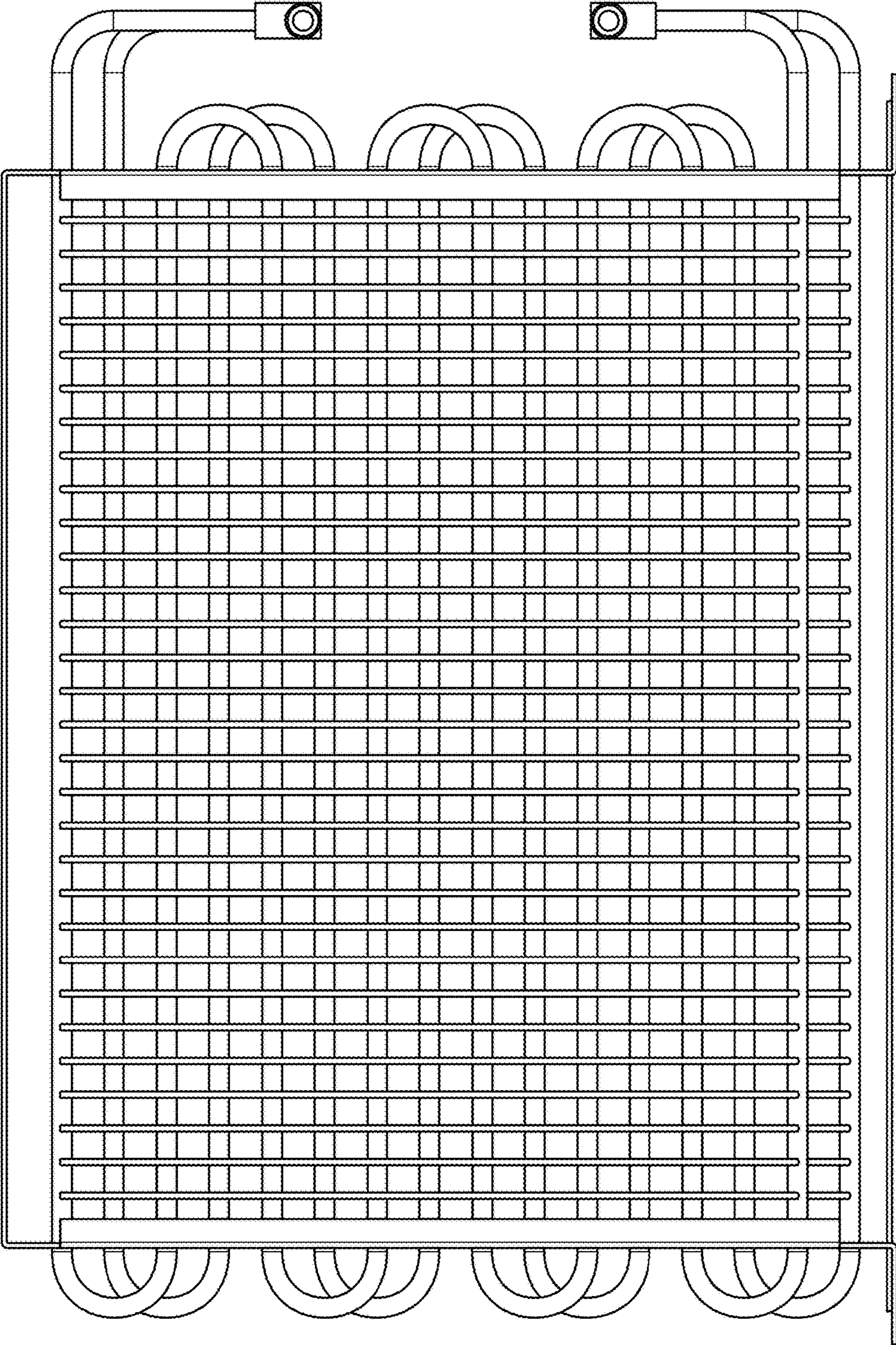


FIG. 2

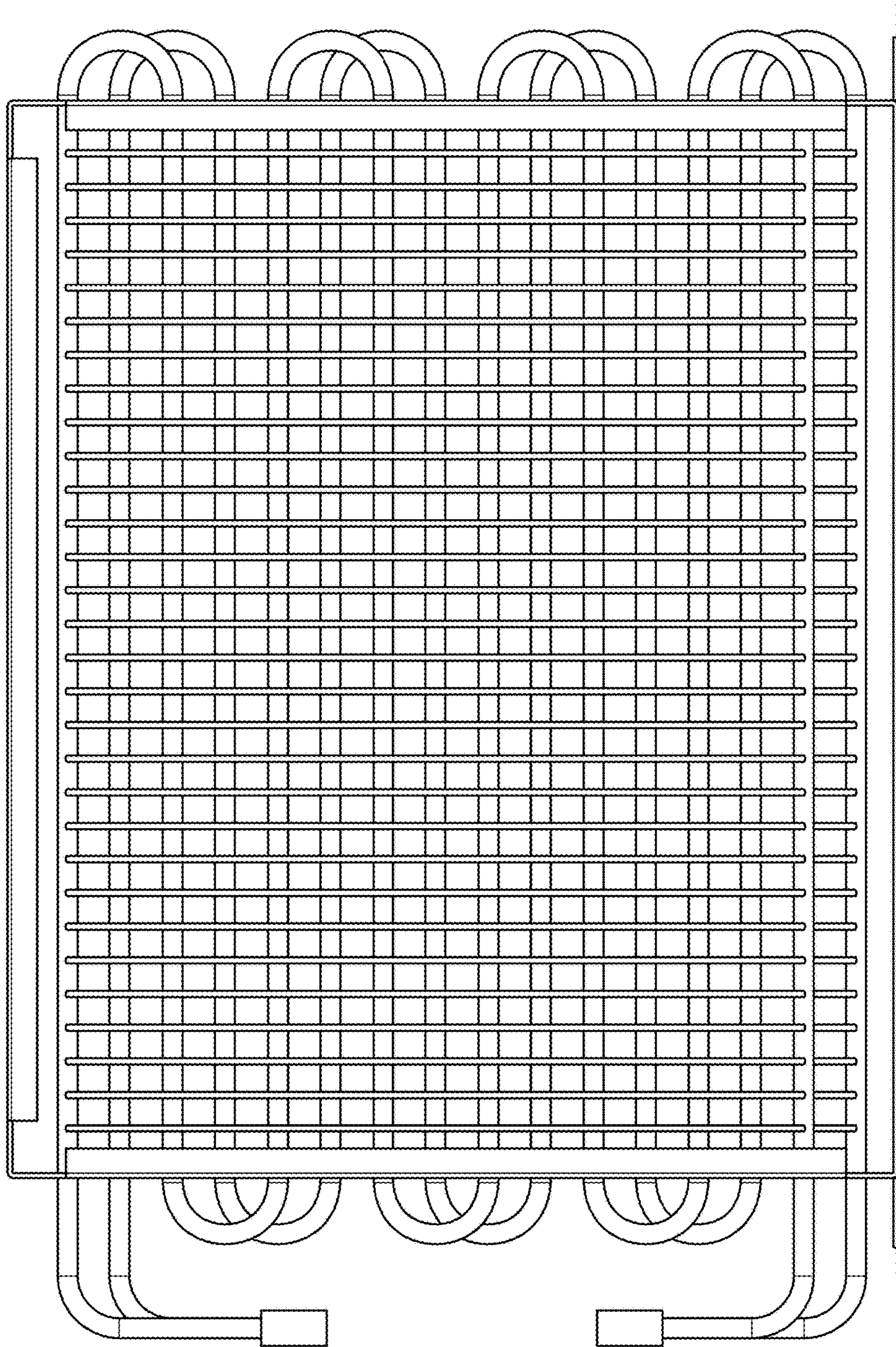


FIG. 3

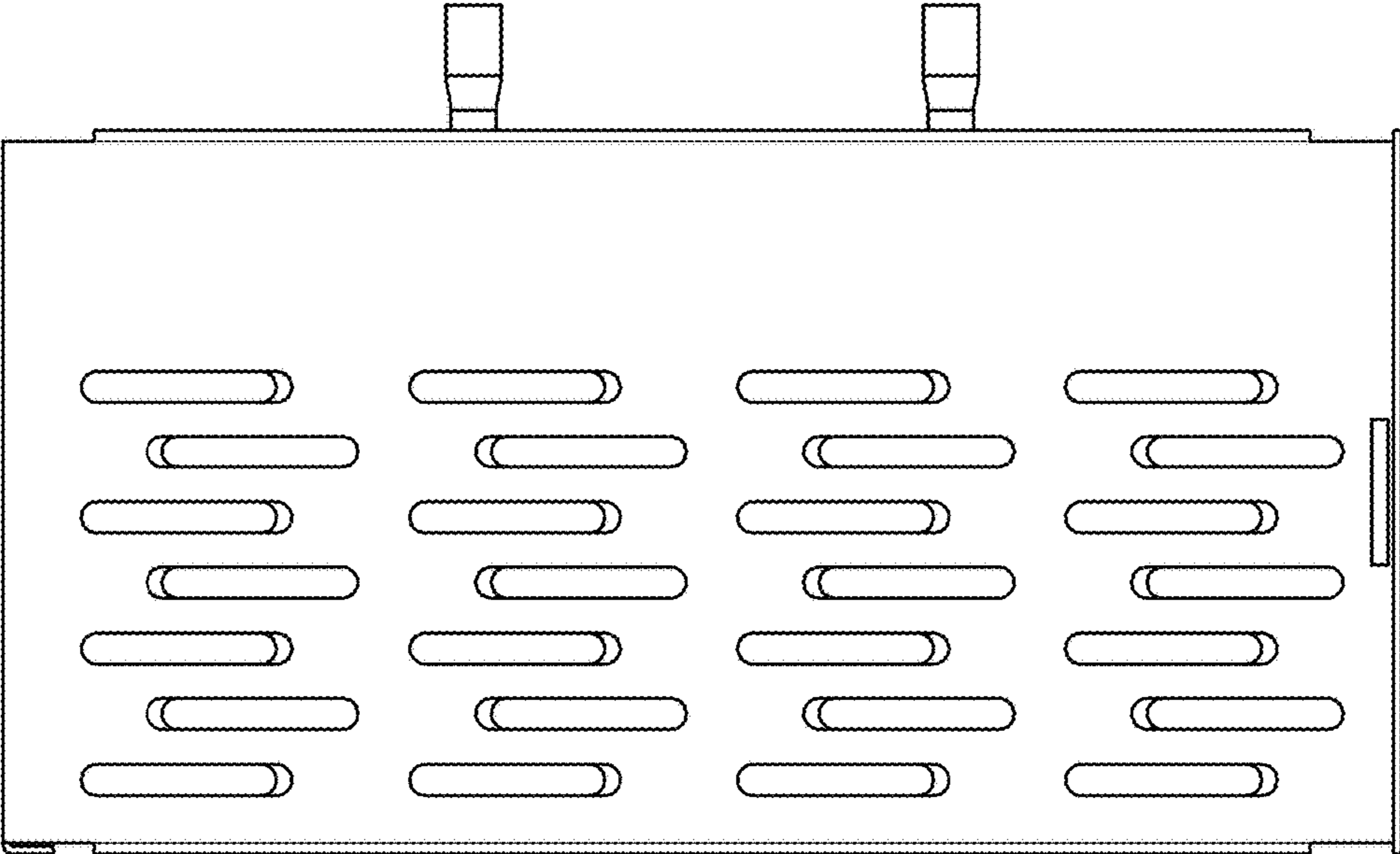


FIG. 4

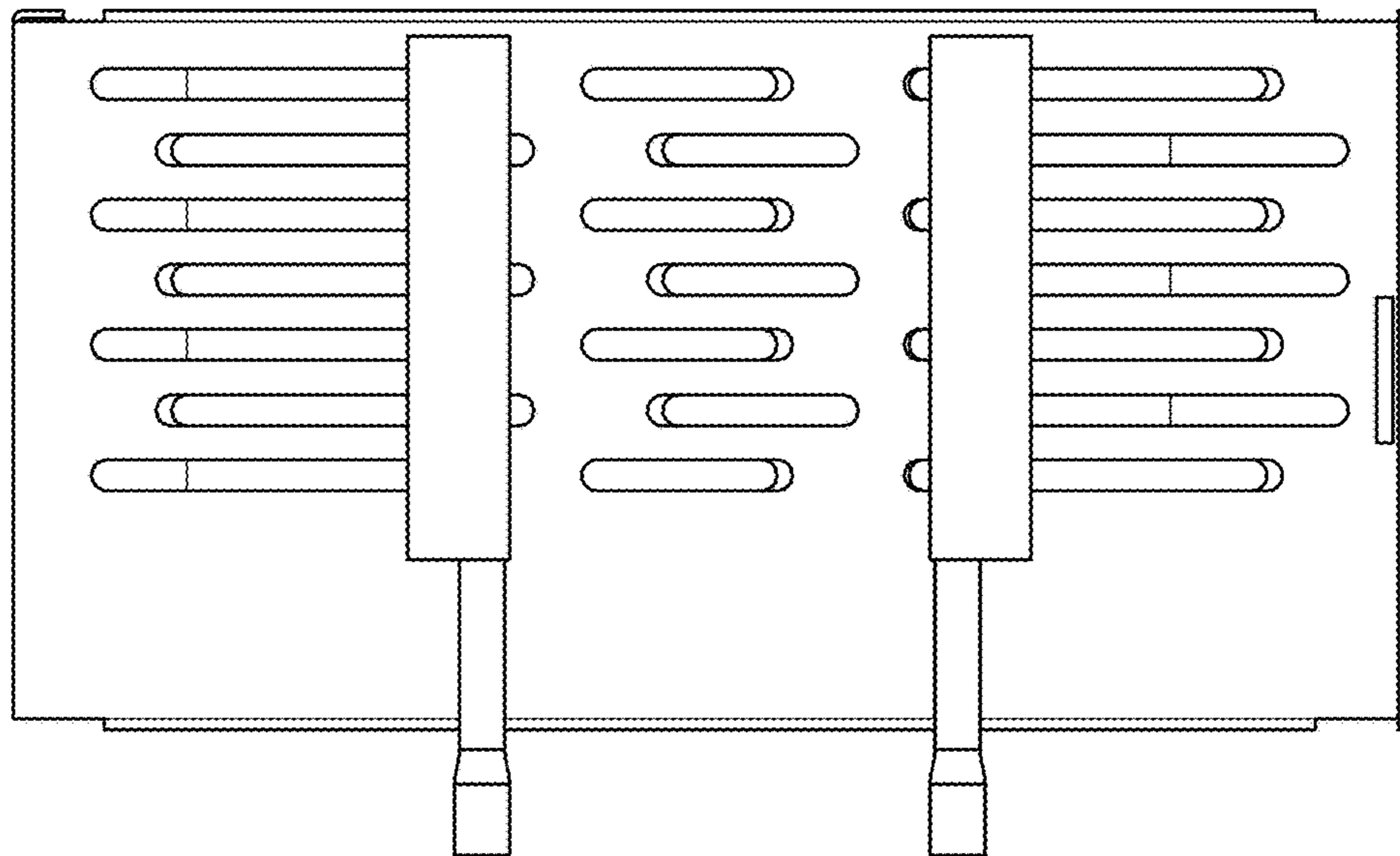


FIG. 5

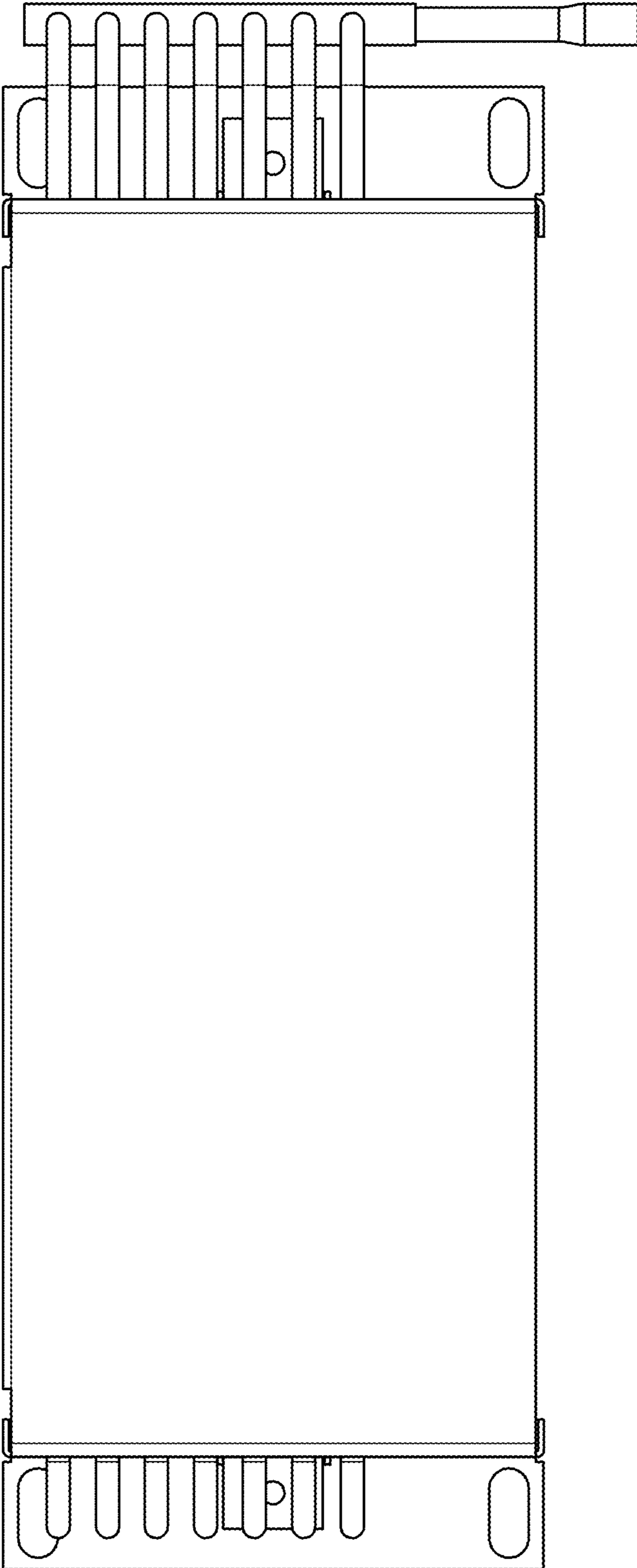


FIG. 6

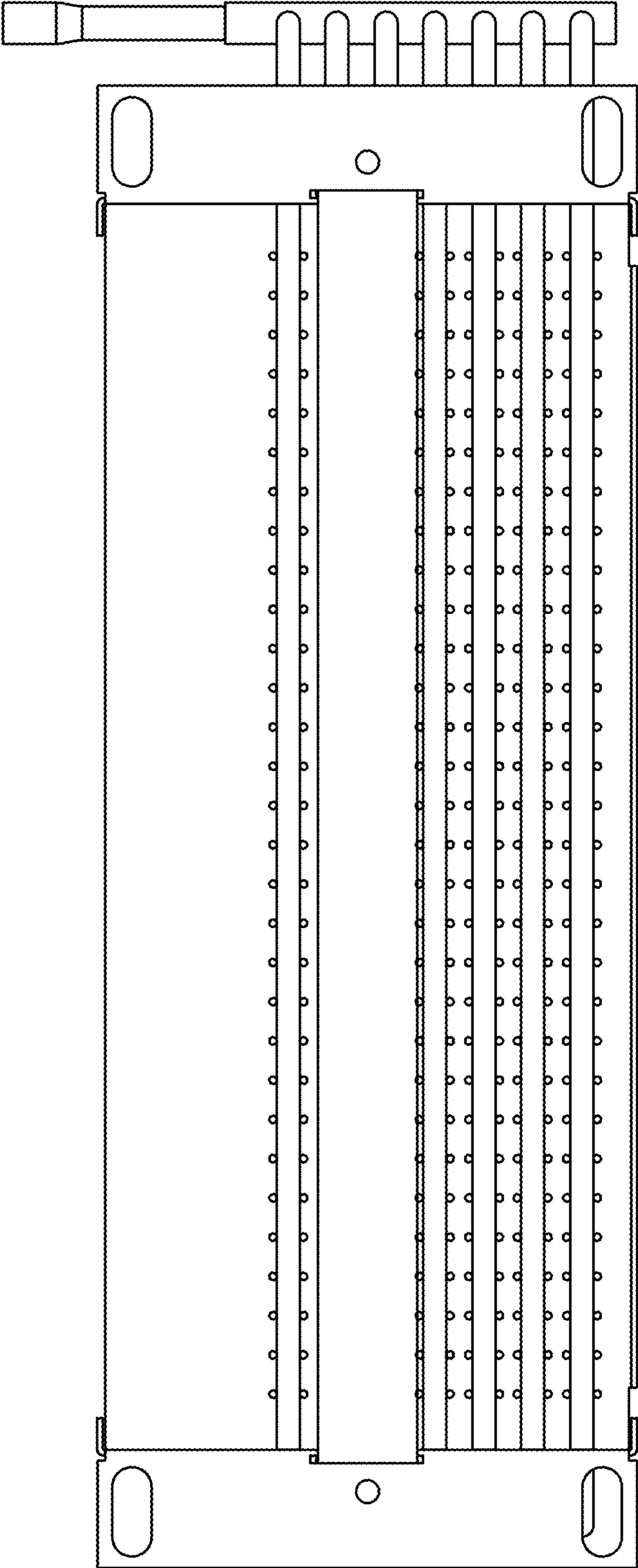


FIG. 7