



US00D785149S

(12) **United States Design Patent** (10) **Patent No.:** **US D785,149 S**
De'Longhi et al. (45) **Date of Patent:** **** Apr. 25, 2017**

(54) **RADIATOR**

(56) **References Cited**

(71) Applicant: **De'Longhi Appliances S.R.L. Con Unico Socio**, Treviso (IT)

U.S. PATENT DOCUMENTS

(72) Inventors: **Giuseppe De'Longhi**, Treviso (IT); **Mauro Cereser**, San Dona' di Piave (IT)

D341,654	S	*	11/1993	Wortham	D23/317
D359,344	S	*	6/1995	De'Longhi	D23/317
D397,193	S	*	8/1998	Boyle	D23/317
D684,245	S	*	6/2013	Dong	D23/330
D698,014	S	*	1/2014	Dong	D23/330
2007/0065123	A1	*	3/2007	Yao	F24H 3/004 392/375
2010/0027980	A1	*	2/2010	Yao	F24H 3/004 392/377

(73) Assignee: **De'Longhi Appliances S.R.L.**, Con Unico Socio, Treviso (IT)

* cited by examiner

(**) Term: **14 Years**

Primary Examiner — T. Chase Nelson

(21) Appl. No.: **29/513,678**

Assistant Examiner — Ania Aman

(22) Filed: **Jan. 5, 2015**

(74) *Attorney, Agent, or Firm* — Flaster/Greenberg P.C.

(30) **Foreign Application Priority Data**

(57) **CLAIM**

Jul. 3, 2014 (EM) 2496273-0001

The ornamental design for a radiator, as shown and described.

(51) **LOC (10) Cl.** **23-03**

DESCRIPTION

(52) **U.S. Cl.**
USPC **D23/330**

FIG. 1 is a perspective view of a radiator;
FIG. 2 is a front elevational view of the radiator of FIG. 1;
FIG. 3 is a rear elevational view of the radiator of FIG. 1;
FIG. 4 is a right side view of the radiator of FIG. 1;
FIG. 5 is a left side view of the radiator of FIG. 1;
FIG. 6 is a top plan view of the radiator of FIG. 1; and,
FIG. 7 is a bottom plan view of the radiator of FIG. 1.
The structures shown in broken lines in the Figures form no part of the claimed design.

(58) **Field of Classification Search**
USPC D23/317, 314, 332, 333, 334, 335, 337,
D23/342, 351, 355, 378, 370, 381, 364,
D23/336, 341, 330
CPC F28D 1/0333; F24H 3/004; F24H 3/0411;
F24H 3/0417; F24H 3/00

See application file for complete search history.

1 Claim, 7 Drawing Sheets

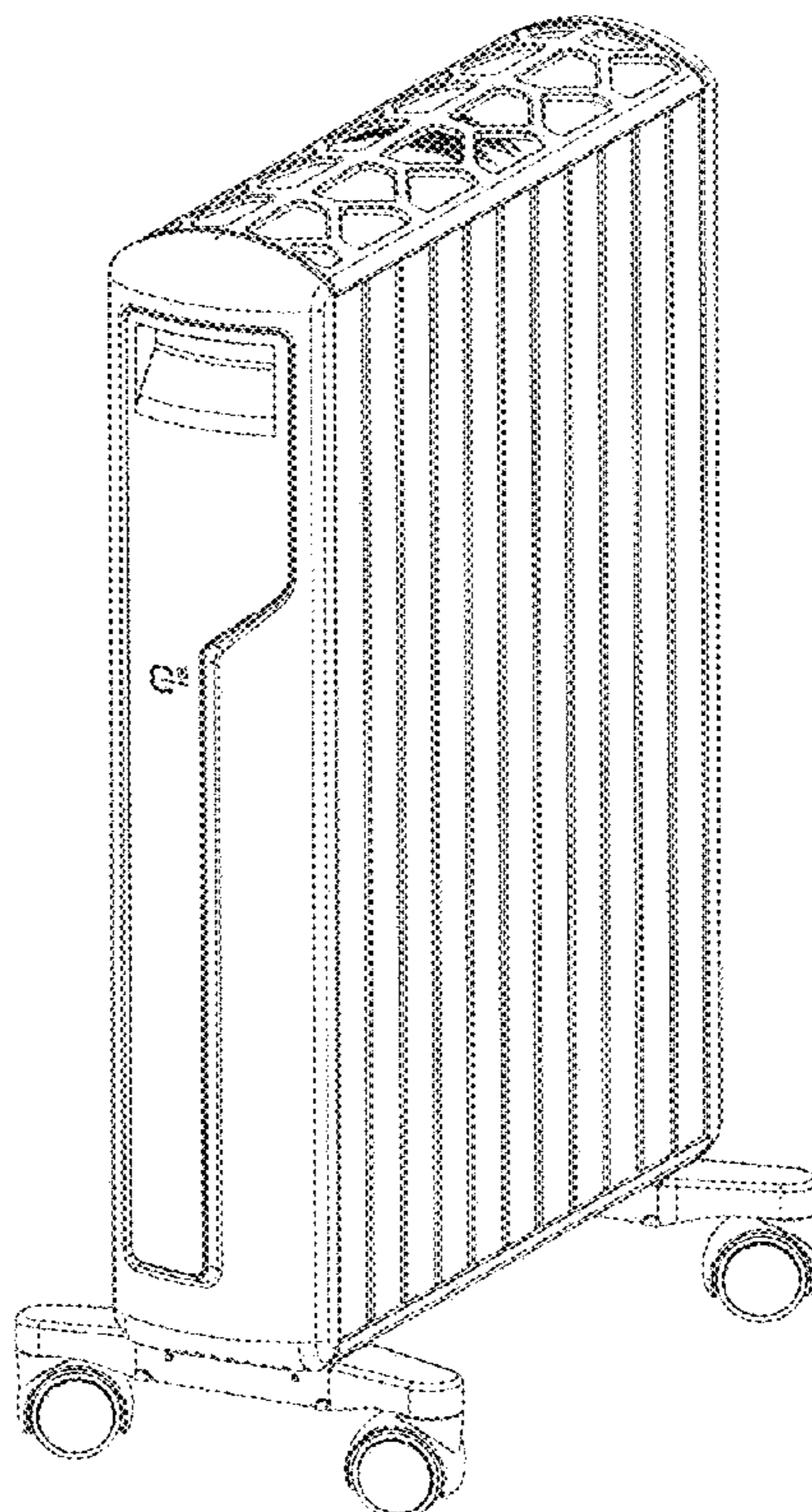
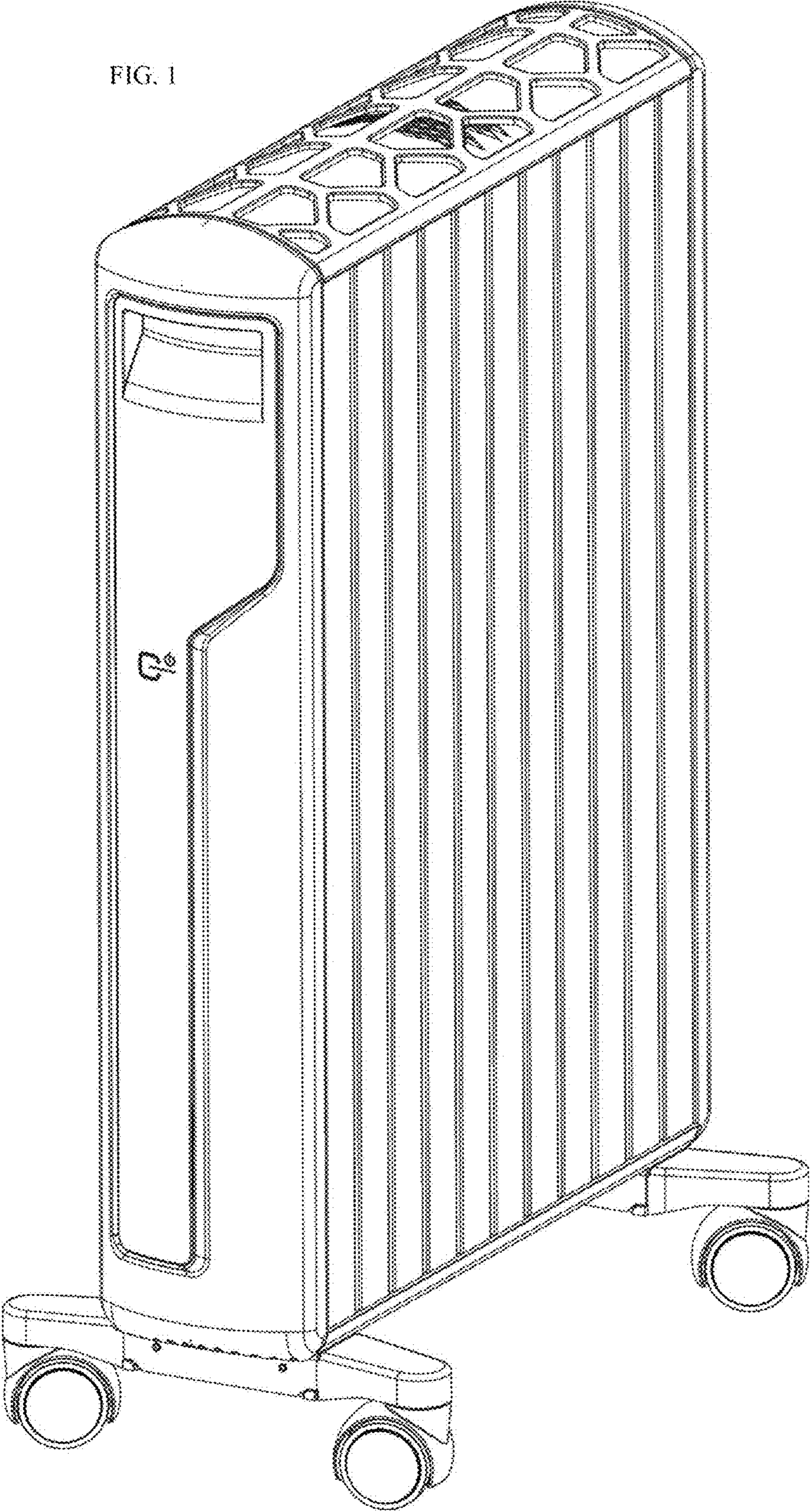


FIG. 1



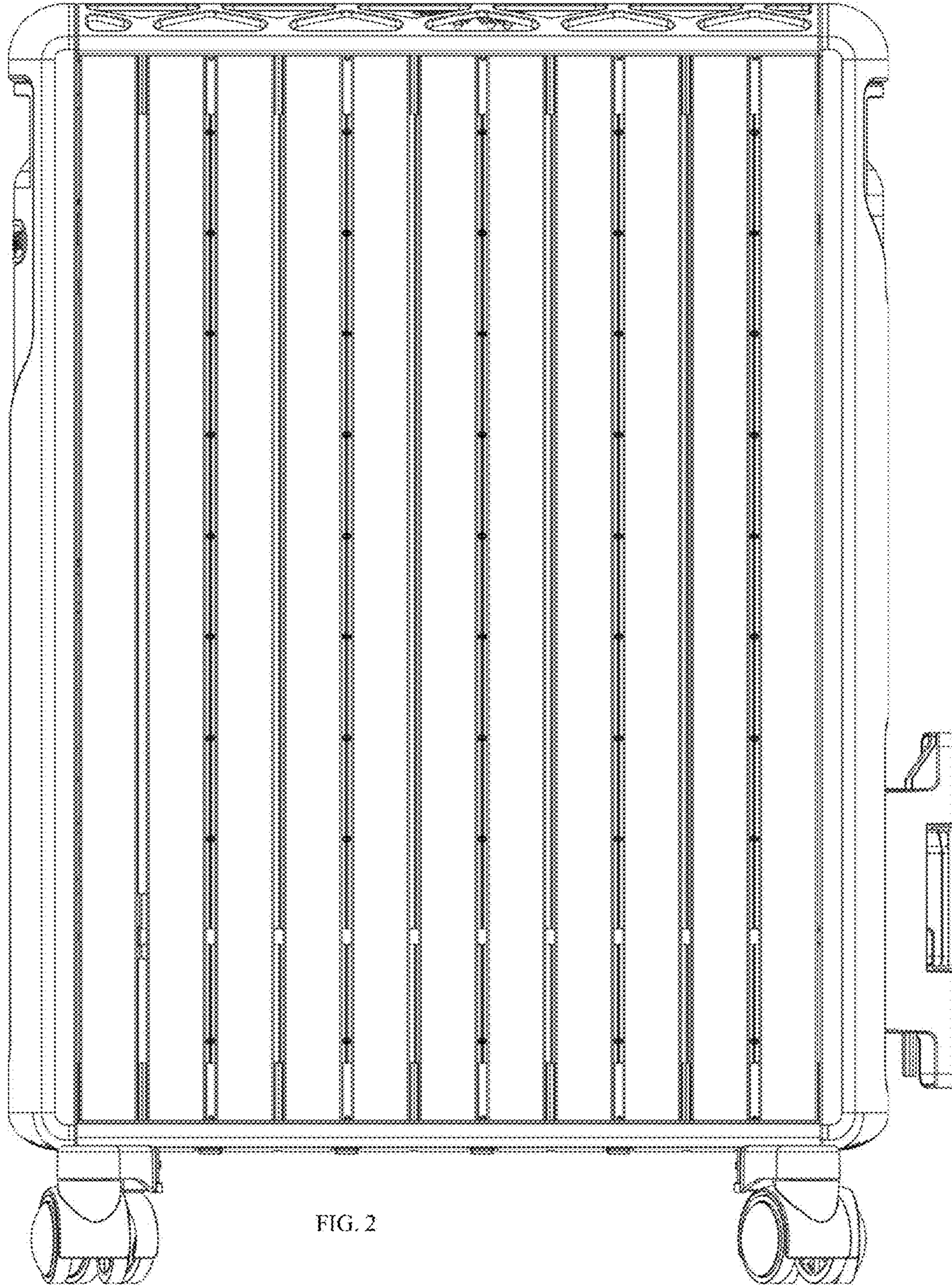


FIG. 2

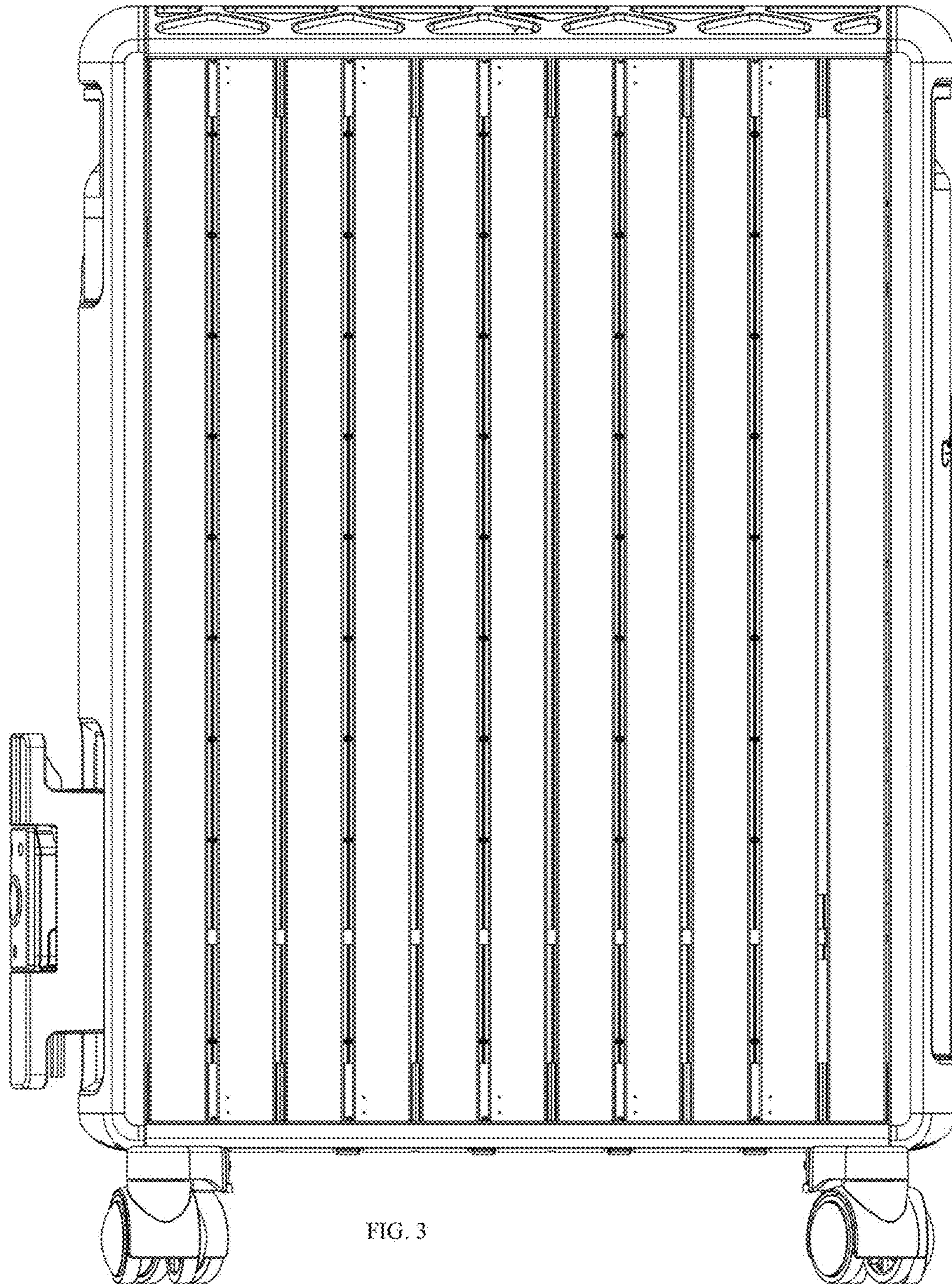


FIG. 3

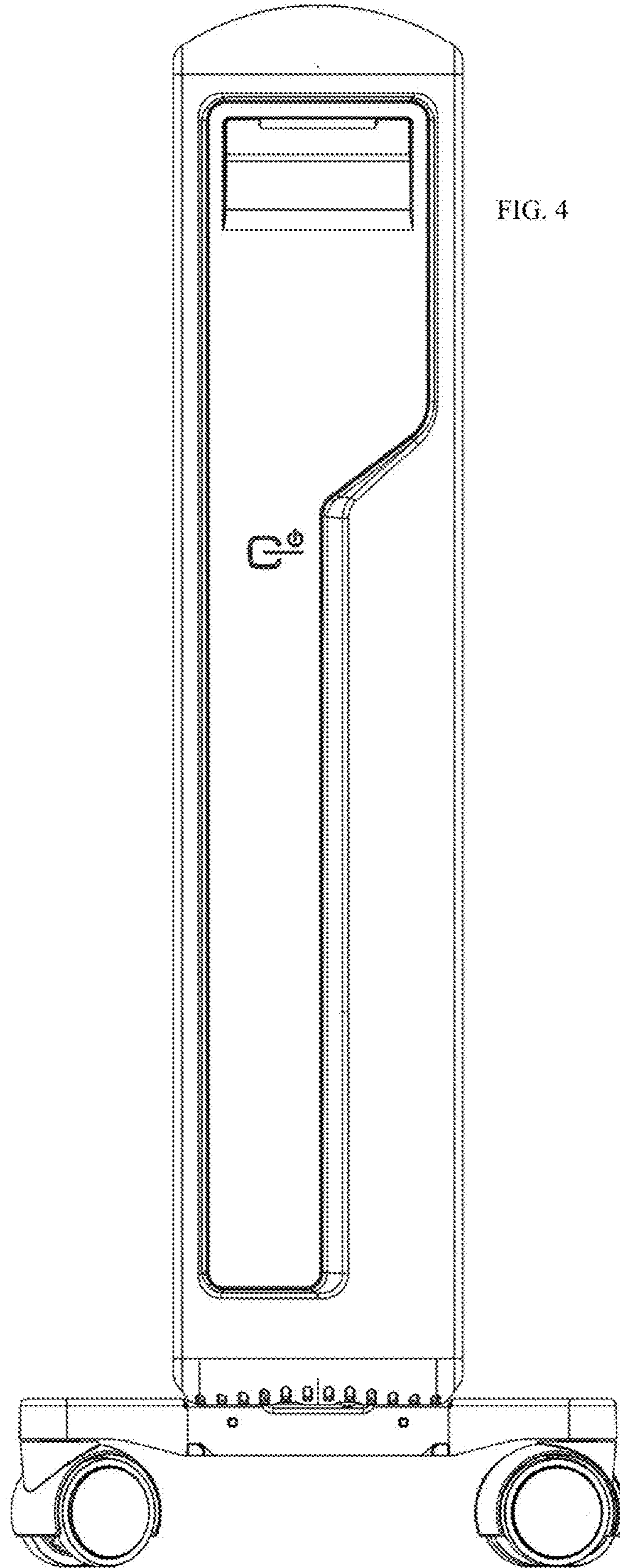


FIG. 4

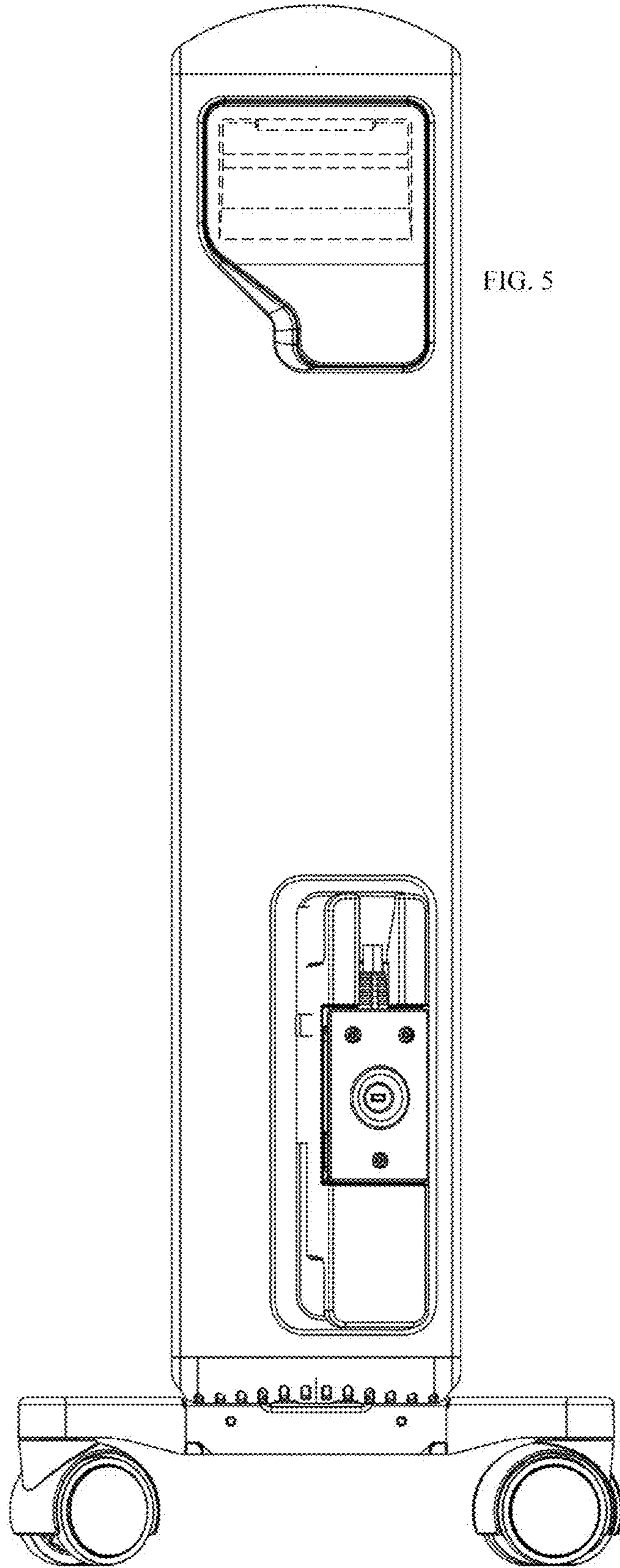


FIG. 5

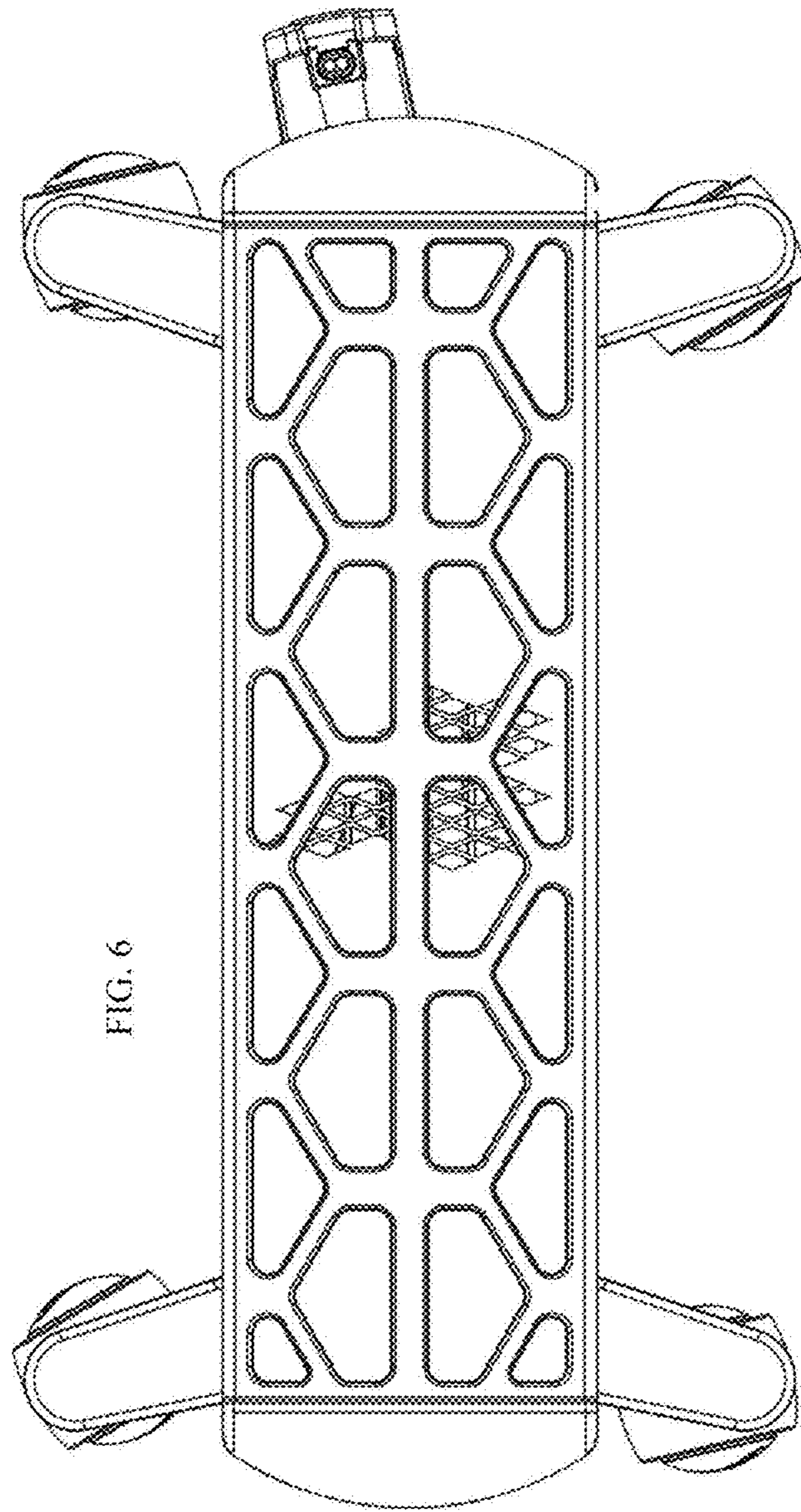


FIG. 6

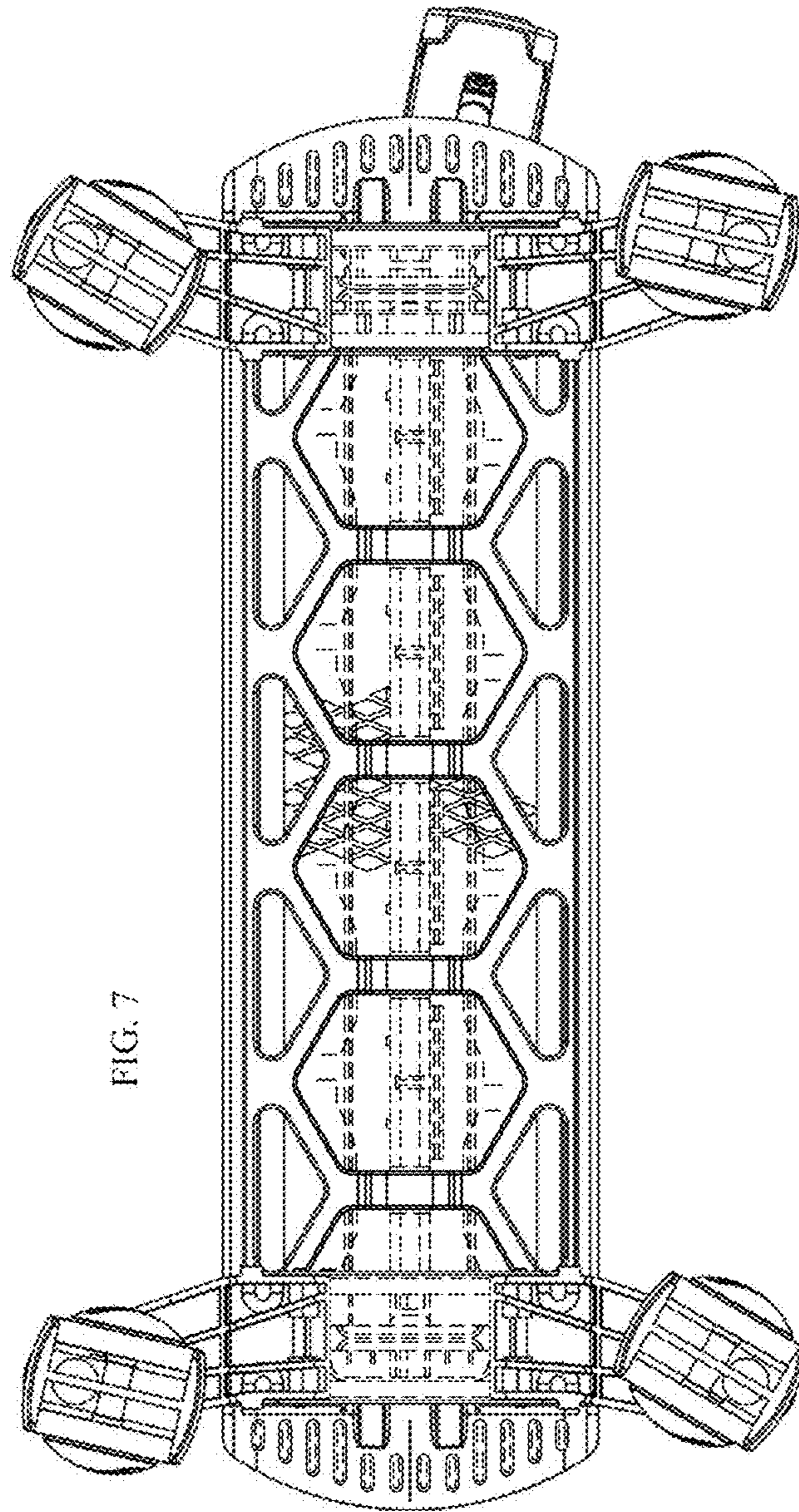


FIG. 7