



US00D785148S

(12) **United States Design Patent**
Licini

(10) **Patent No.:** **US D785,148 S**
(45) **Date of Patent:** **** Apr. 25, 2017**

(54) **SHOWER RECEPTOR**

(71) Applicant: **Kohler Co.**, Kohler, WI (US)

(72) Inventor: **Frederic Licini**, L'Etang la Ville (FR)

(73) Assignee: **KOHLER CO.**, Kohler, WI (US)

(**) Term: **15 Years**

(21) Appl. No.: **29/573,926**

(22) Filed: **Aug. 10, 2016**

Related U.S. Application Data

(62) Division of application No. 29/527,948, filed on May 22, 2015, now Pat. No. Des. 766,408.

(51) **LOC (10) Cl.** **23-02**

(52) **U.S. Cl.**
USPC **D23/304**

(58) **Field of Classification Search**
USPC D23/283, 303-304
CPC . A47K 3/40; A47K 3/325; A47K 3/30; A47K
3/32; A47K 3/285; A47K 3/286
See application file for complete search history.

(56) **References Cited**

U.S. PATENT DOCUMENTS

D255,829 S 7/1980 Swenson
D532,877 S 11/2006 Hisey

D596,721 S 7/2009 Hisey
D611,129 S 3/2010 Hisey
7,739,757 B2 6/2010 Witt
8,474,069 B1 7/2013 Whiting
D692,992 S 11/2013 Whiting

Primary Examiner — Robert Delehanty

(74) *Attorney, Agent, or Firm* — Foley & Lardner LLP

(57) **CLAIM**

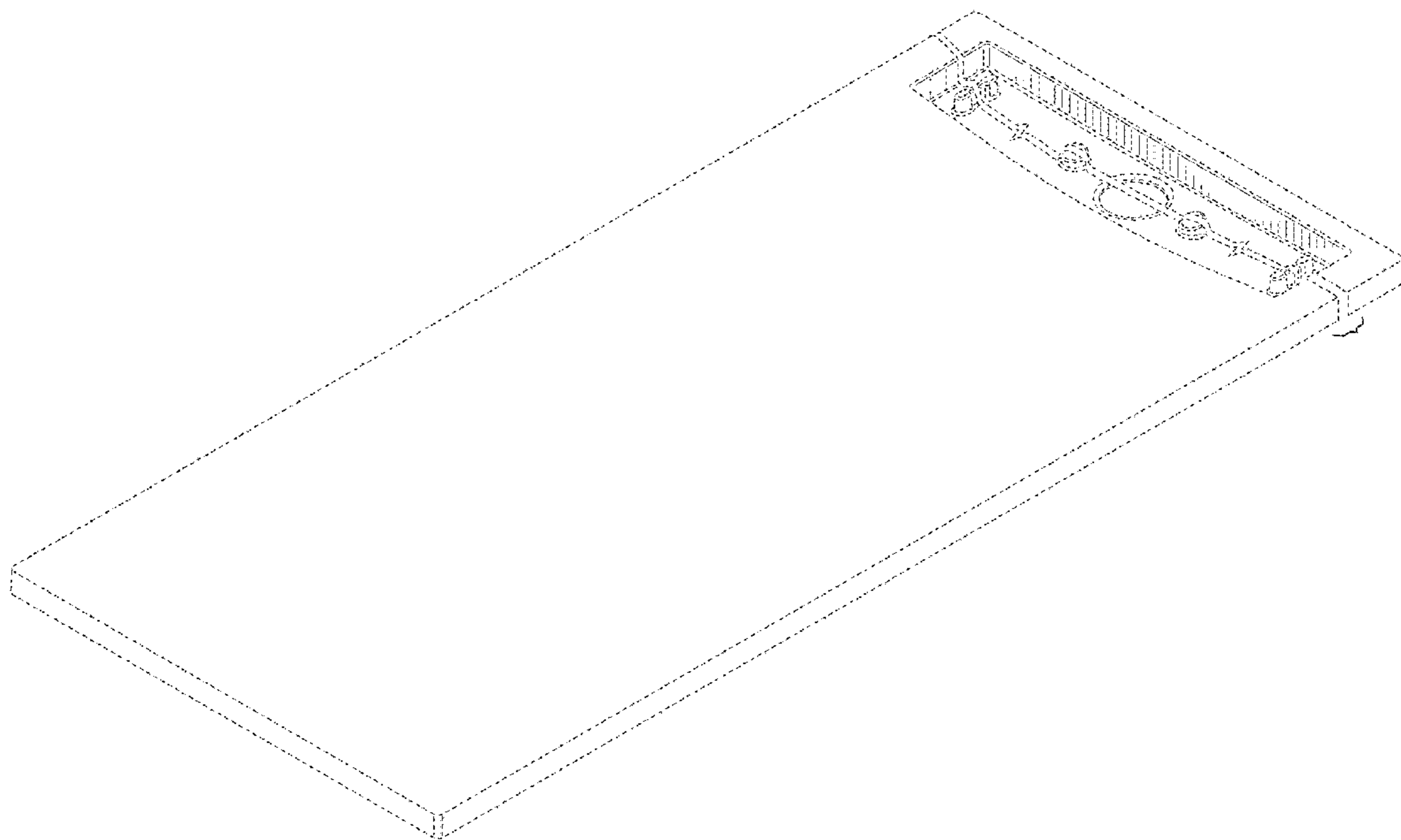
I claim the ornamental design for a shower receptor, as shown and described.

DESCRIPTION

FIG. 1 is a top, front, right perspective view of an embodiment of the claimed design;
FIG. 2 is a top, rear, left perspective view thereof;
FIG. 3 is top plan view thereof;
FIG. 4 is a rear elevation view thereof;
FIG. 5 is a front elevation view thereof;
FIG. 6 is a left elevation view thereof;
FIG. 7 is a right elevation view thereof; and,
FIG. 8 is a cross-sectional view taken along line 8-8 in FIG. 3.

The ornamental design which is claimed is shown in solid lines in the drawings. The broken lines in the drawings form no part of the claimed design. Broken lines formed by equal length dashes show unclaimed subject matter. Broken lines formed of unequal length dashes (i.e., dash-dot) define bounds of the claimed design. Broken away symbols having a jagged element show that no particular length of the portion is claimed.

1 Claim, 5 Drawing Sheets



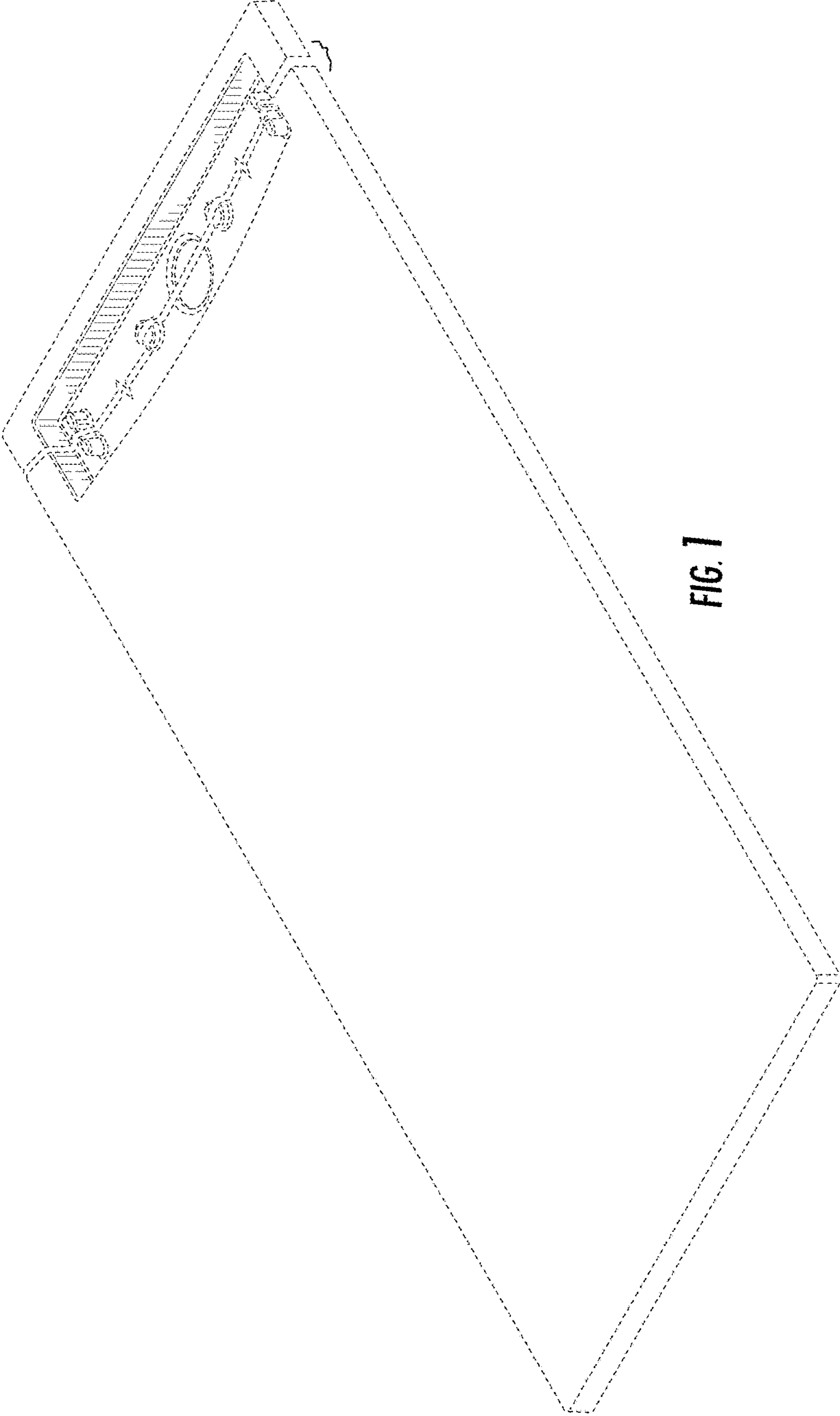


FIG. 1

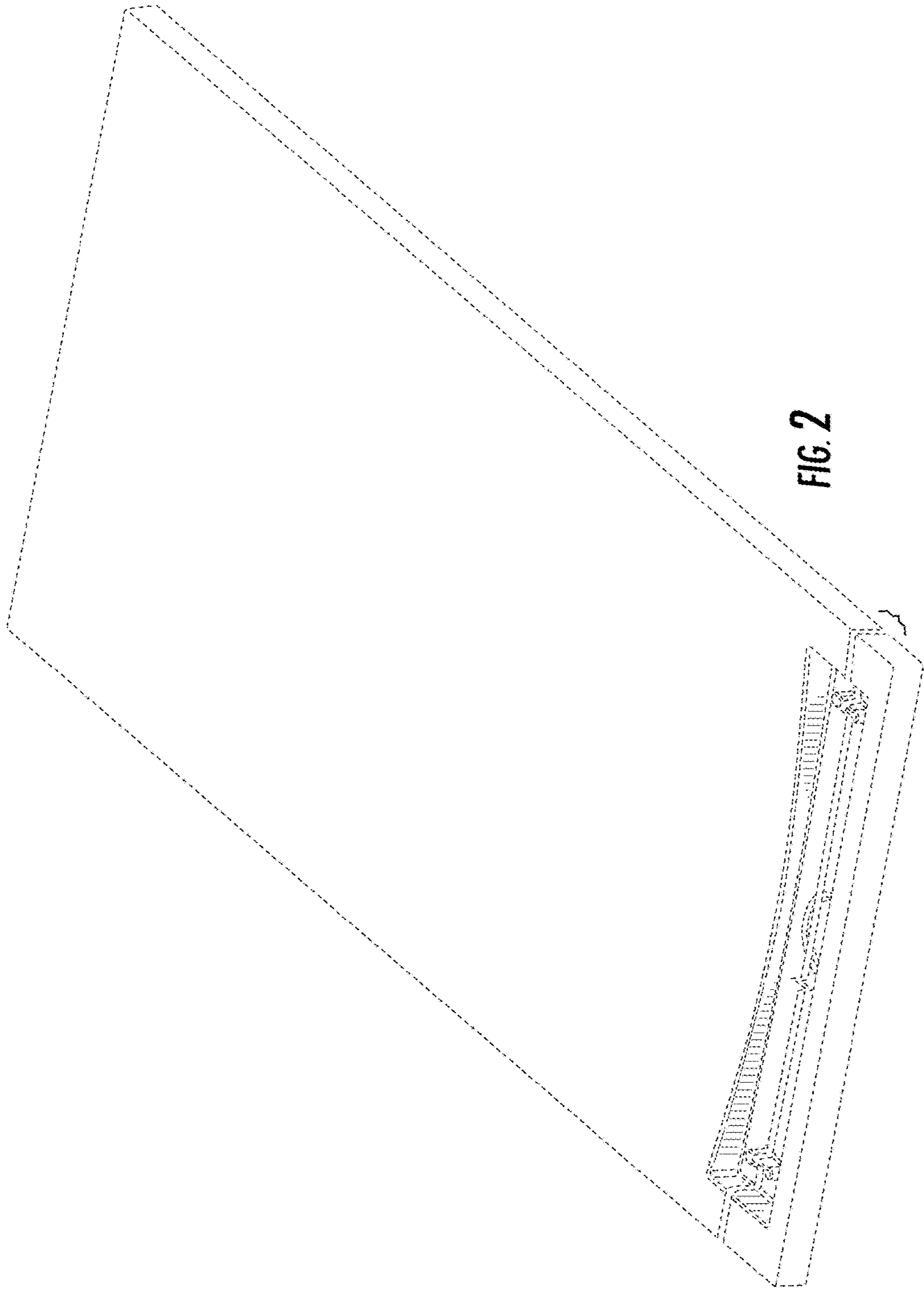


FIG. 2

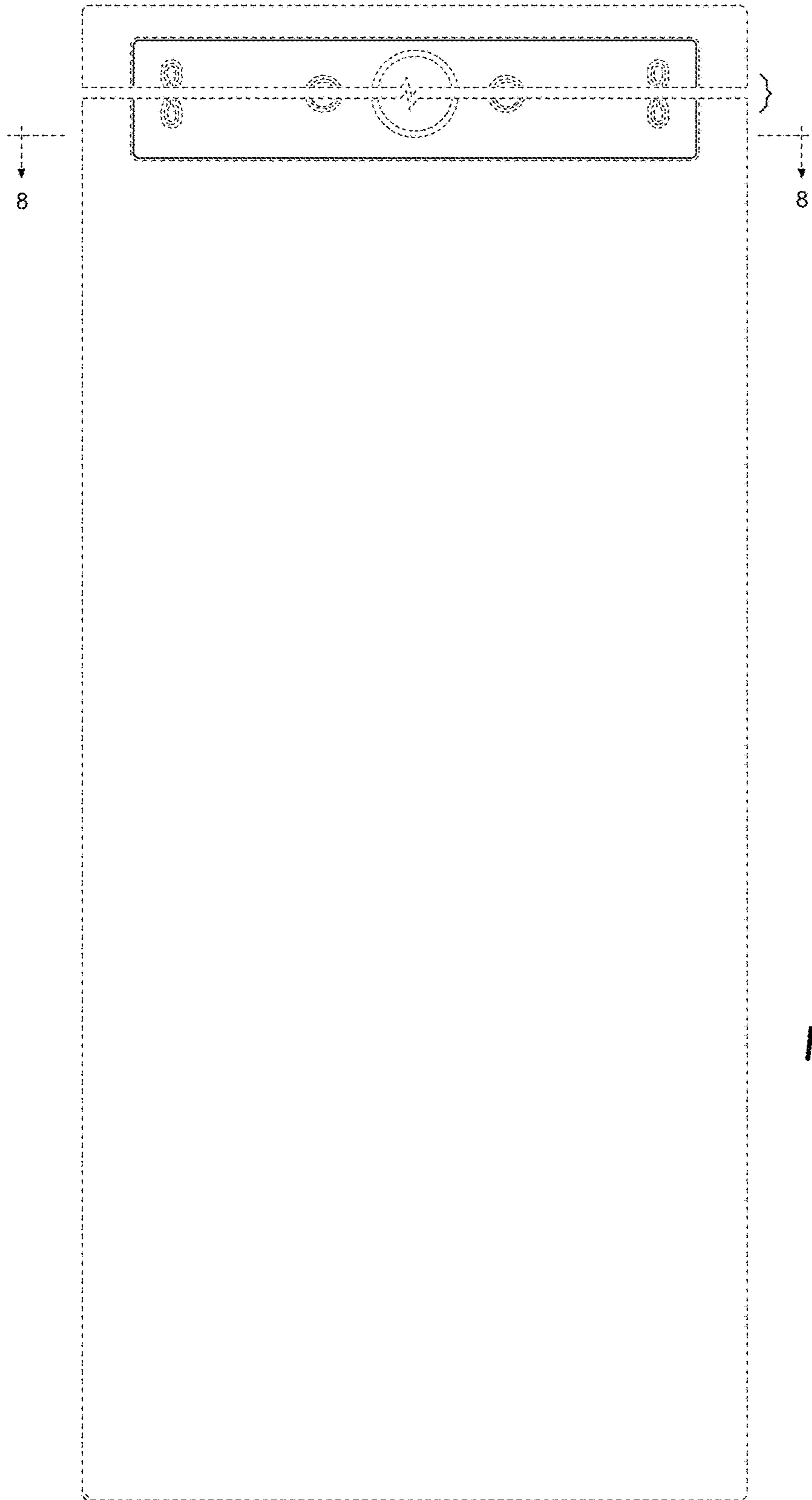


FIG. 3

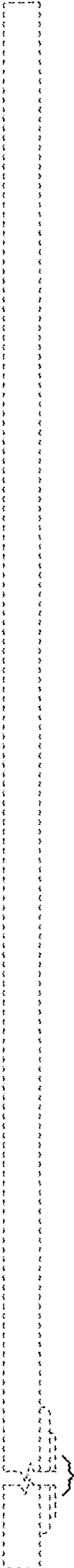


FIG. 4

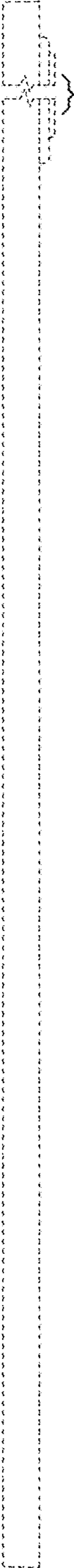


FIG. 5

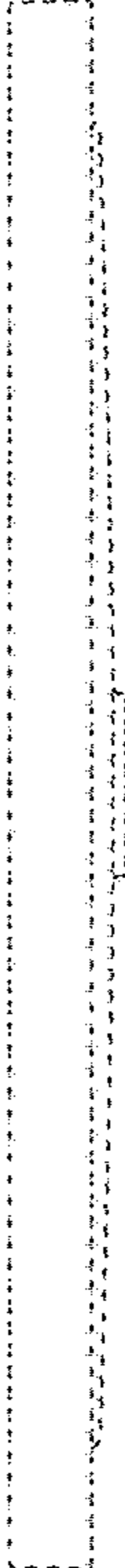


FIG. 6

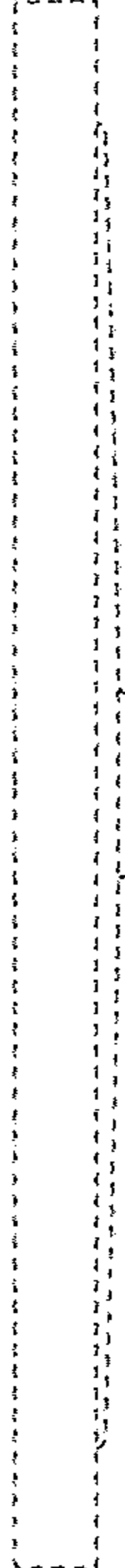


FIG. 7

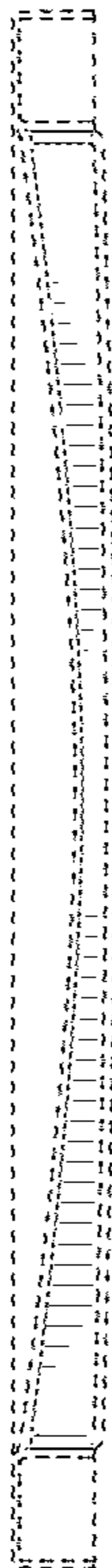


FIG. 8