



US00D785147S

(12) **United States Design Patent**
McIntyre

(10) **Patent No.:** **US D785,147 S**
(45) **Date of Patent:** **** Apr. 25, 2017**

(54) **FOLDING URINAL**

FOREIGN PATENT DOCUMENTS

(71) Applicant: **ADVANCED GLOBAL INNOVATIONS PTY. LTD.**, Bundall (AU)

CN 2040125 U 6/1989
CN 2546534 4/2003
(Continued)

(72) Inventor: **Mitchell Rex McIntyre**, Mermaid Beach (AU)

OTHER PUBLICATIONS

(73) Assignee: **Advanced Global Innovations Pty. Ltd.** (AU)

International Search Report, PCT Application PCT/AU2014/000494, dated Jun. 3, 2014.
(Continued)

(**) Term: **15 Years**

Primary Examiner — Robert Delehanty
(74) *Attorney, Agent, or Firm* — Barnes & Thornburg LLP

(21) Appl. No.: **29/545,351**

(57) **CLAIM**

(22) Filed: **Nov. 12, 2015**

What is claimed is the ornamental design for a folding urinal, as shown and described.

Related U.S. Application Data

DESCRIPTION

(63) Continuation of application No. 14/888,615, filed as application No. PCT/AU2014/000494 on May 5, 2014.

FIG. 1 is a front perspective view of the folding urinal with its folding tray closed;
FIG. 2 is a front view of the folding urinal with its folding tray closed;
FIG. 3 is a rear view of the folding urinal with its folding tray closed;
FIG. 4 is a right side view of the folding urinal with its folding tray closed;
FIG. 5 is a left side view of the folding urinal with its folding tray closed;
FIG. 6 is a top view of the folding urinal with its folding tray closed;
FIG. 7 is a bottom view of the folding urinal with its folding tray closed;
FIG. 8 is a front perspective view of the folding urinal with its folding tray open;
FIG. 9 is a front view of the folding urinal with its folding tray open;
FIG. 10 is a rear view of the folding urinal with its folding tray open;
FIG. 11 is a right side view of the folding urinal with its folding tray open;

(30) **Foreign Application Priority Data**

May 6, 2013 (AU) 2013901592

(51) **LOC (10) Cl.** **23-02**

(52) **U.S. Cl.**
USPC **D23/302**

(58) **Field of Classification Search**
USPC D23/302, 303, 309, 274; D24/122; D12/42, 318, 345

(Continued)

(56) **References Cited**

U.S. PATENT DOCUMENTS

202,193 A 4/1878 Reid
2,799,864 A * 7/1957 Colonna E03D 11/12
4/312

(Continued)

(Continued)

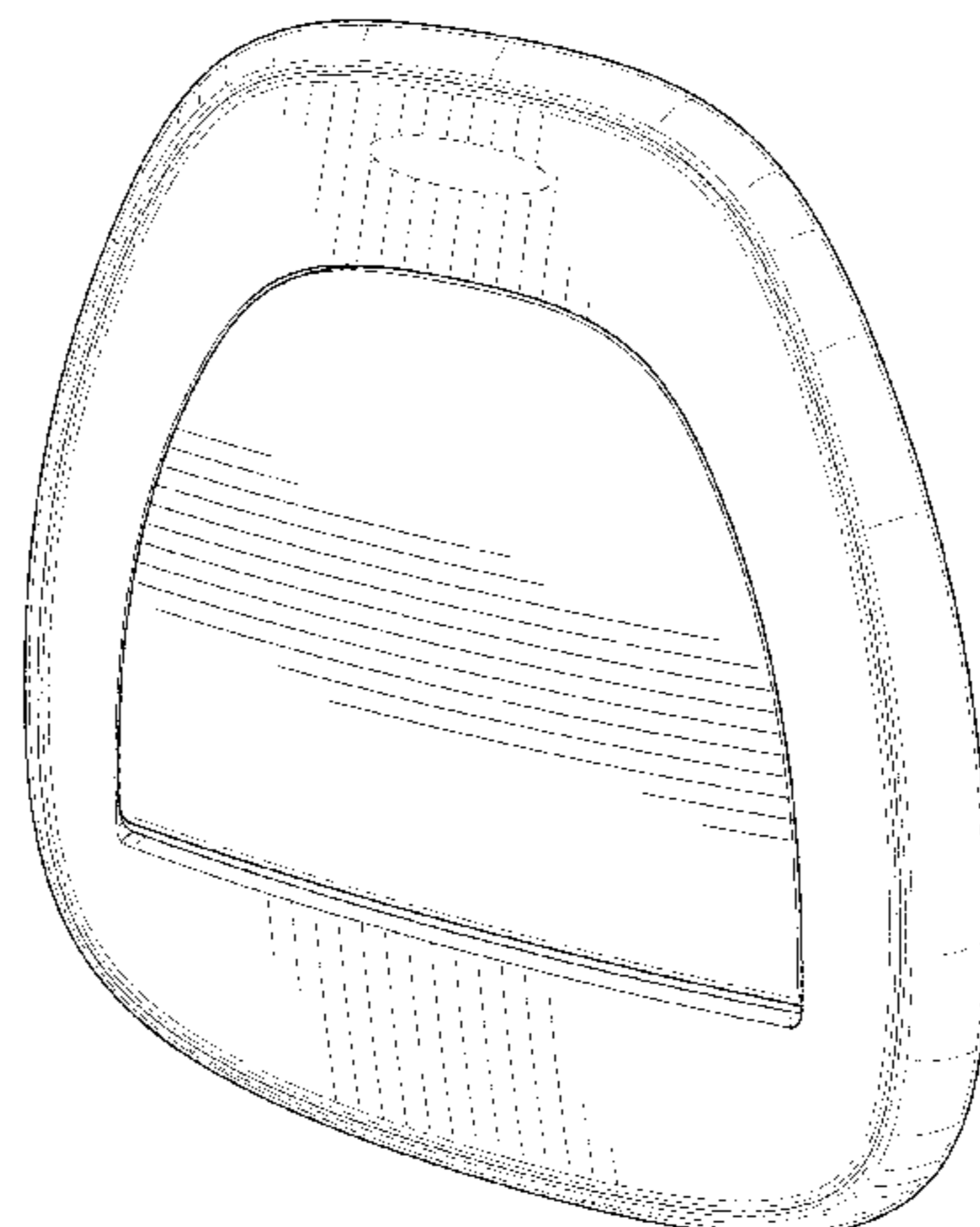


FIG. 12 is a left side view of the folding urinal with its folding tray open;
 FIG. 13 is a top view of the folding urinal with its folding tray open; and,
 FIG. 14 is a bottom side view of the folding urinal with its folding tray open.
 The broken lines shown in the drawings are for purposes of illustrating portions of the design and form no part of the claimed design.

1 Claim, 13 Drawing Sheets

(58) **Field of Classification Search**

CPC ... E03D 13/007; E03D 13/005; E03D 13/002;
 E03D 13/00; E03D 11/025; E03D 11/14;
 E03D 11/143; E03C 1/01; A47K 11/12;
 A47K 13/24; Y10S 4/02; Y10S 4/15;
 B60R 15/04; B61D 35/00; B64D 11/02

See application file for complete search history.

(56) **References Cited**

U.S. PATENT DOCUMENTS

3,436,764	A *	4/1969	Colonna	E03D 11/12 4/300
3,829,906	A *	8/1974	McPhee	E03D 11/12 4/300
4,799,272	A *	1/1989	Hornig	E03D 11/12 4/312
4,944,047	A *	7/1990	Gagliano	E03D 11/12 4/307
D318,325	S *	7/1991	McKiney	D23/302
5,054,132	A *	10/1991	Bartella	E03D 5/04 4/302
6,286,153	B1	9/2001	Keller		
2012/0079650	A1	4/2012	Metcalf et al.		
2012/0117719	A1*	5/2012	Brooks	A47K 11/12 4/144.1

FOREIGN PATENT DOCUMENTS

CN	1730851		2/2006
CN	201254756	Y	6/2009
CN	201933592	U	8/2011
CN	101956419		2/2012
CN	203905140	U	10/2014
DE	19902933		8/2000
DE	202004002285	U1	7/2004
DE	202005003305	U1	8/2005
GB	2436838		10/2007
JP	11-346960		12/1999
JP	2002-256609		9/2002
JP	2013092029		5/2013
KR	10-0815020		3/2008
KR	10-2011-0046114		5/2011
KR	1020120036039		4/2012
KR	1020150011061		1/2015
WO	WO2004097126		11/2004

OTHER PUBLICATIONS

JL Mott Iron Works, Demarest's Swing Urinal and Patent Folding Urinal, <http://digitalcollections.nypl.org/items/510d47db-bce0-a3d9-e040-e00a18064a99>.
 Mister Miser, Mister Miser: The Amazing Folding Urinal, <http://www.treehugger.com/bathroom-design/mister-miser-the-amazing-folding-urinal.html>.
 English Abstract of Chinese Patent CN201933592 (U)—Aug. 17, 2011 for Wall Embedded Type Multifunctional Toilet Bowl.
 English Abstract of German Patent DE19902933 (A1)—Aug. 17, 2000 for Wall-Mounted Pivoted Urinal.
 English Abstract of German Patent DE202005003305 (U1)—Jul. 21, 2005 for Wall-Mounted Swing Toilet Bowl/Urinal.
 JL Mott, What is it? A urinal, <http://www.vintageplumbing.com/thejlmottironworks.html>.

* cited by examiner

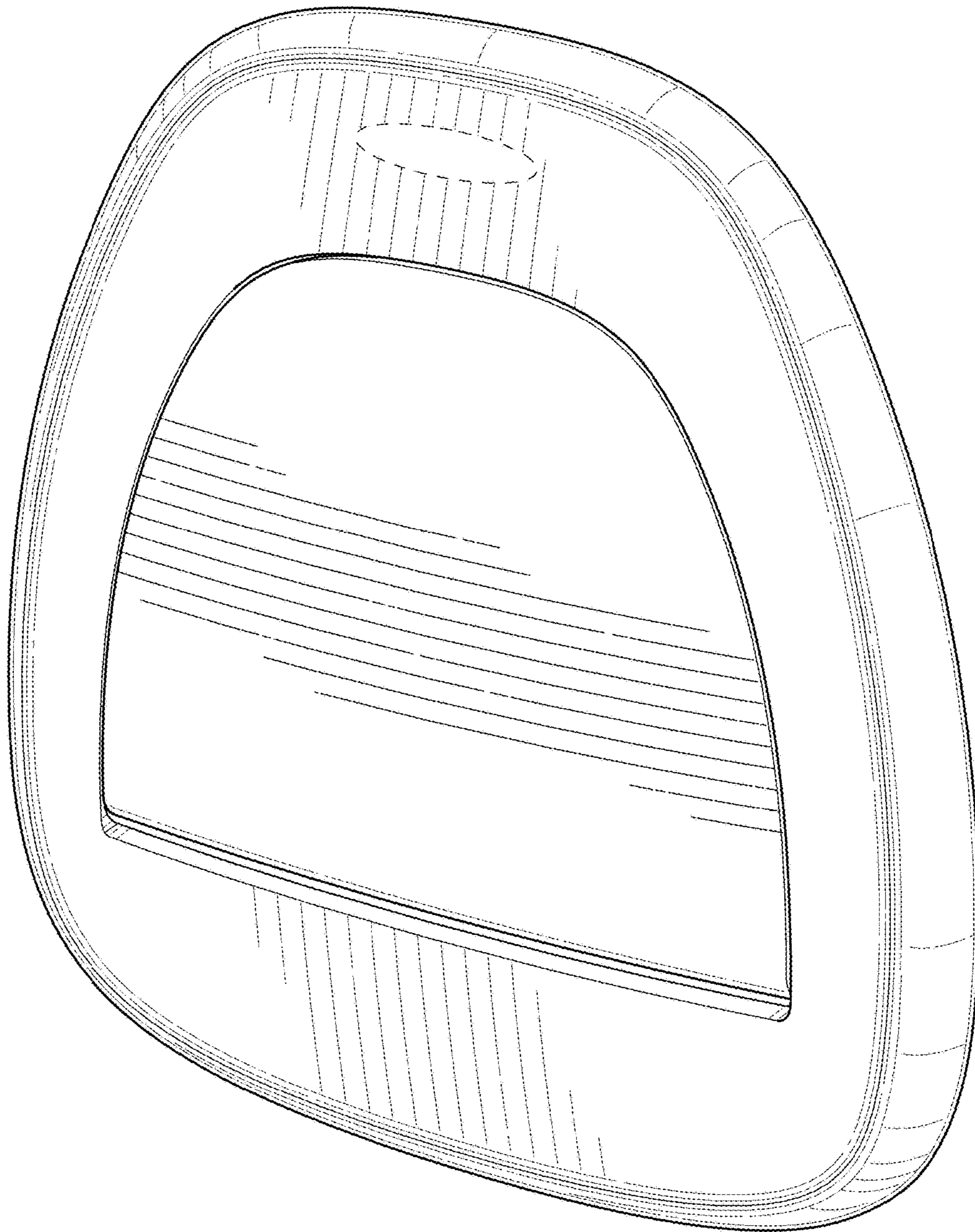


FIG. 1

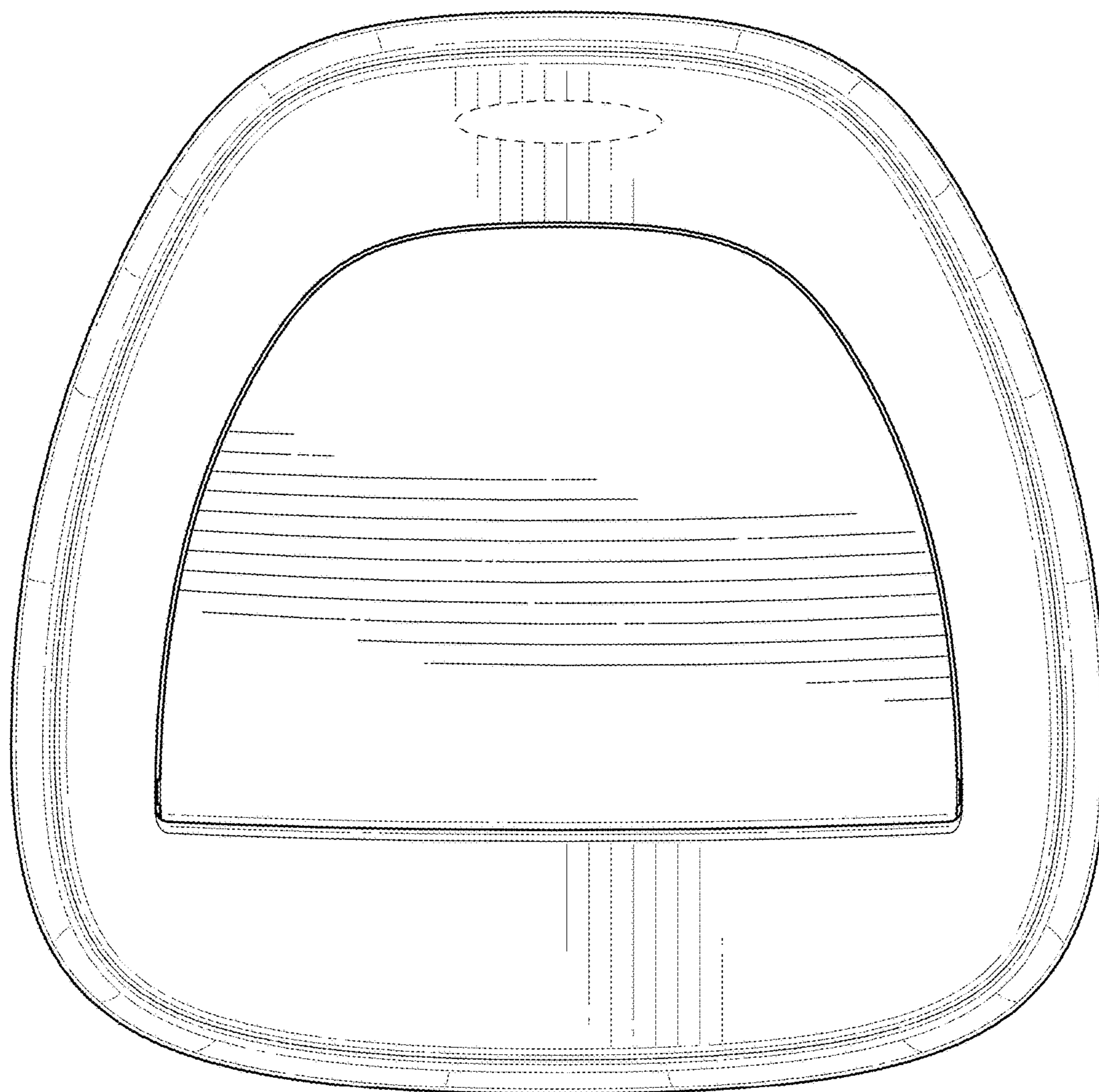


FIG. 2

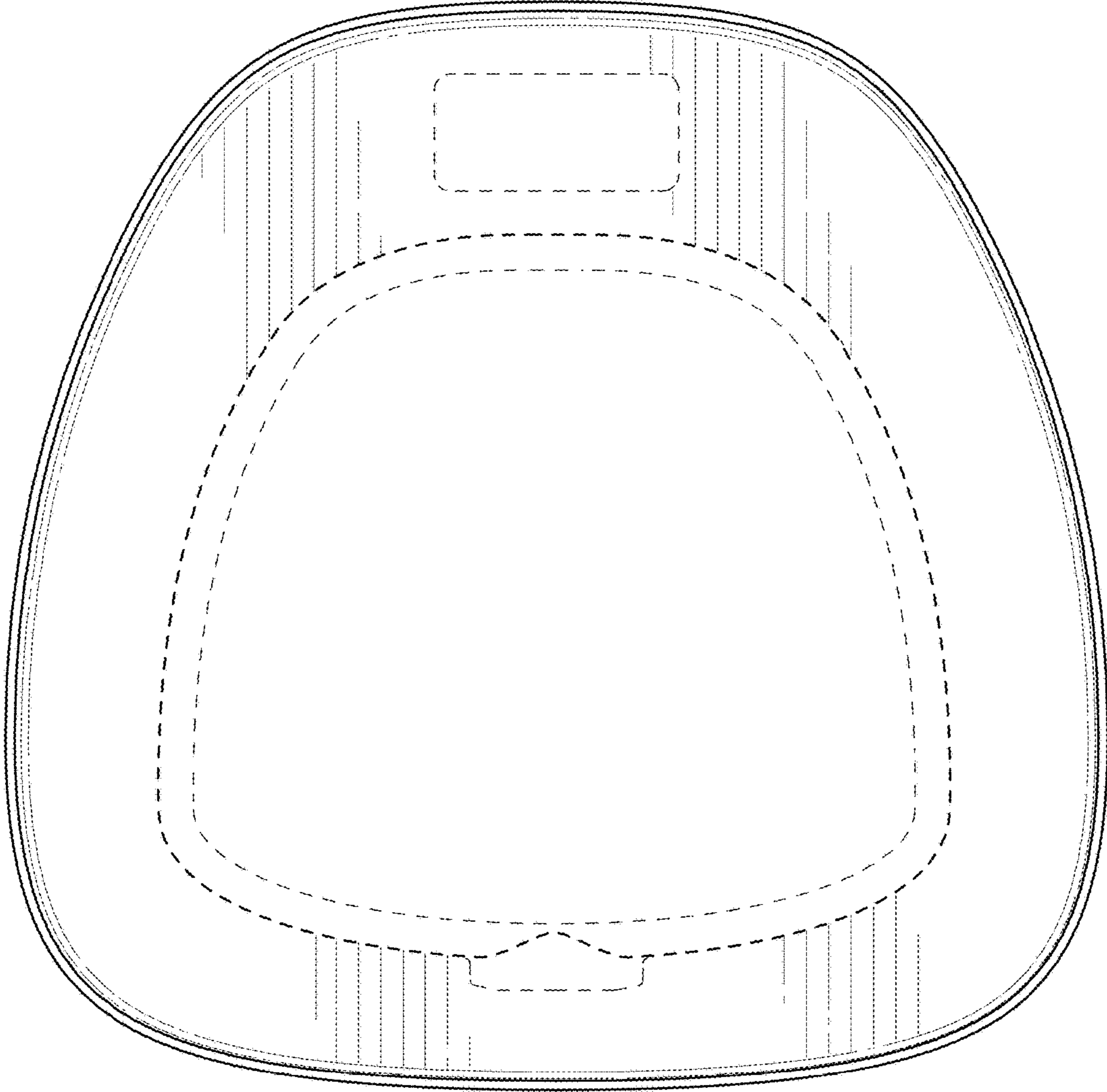


FIG. 3

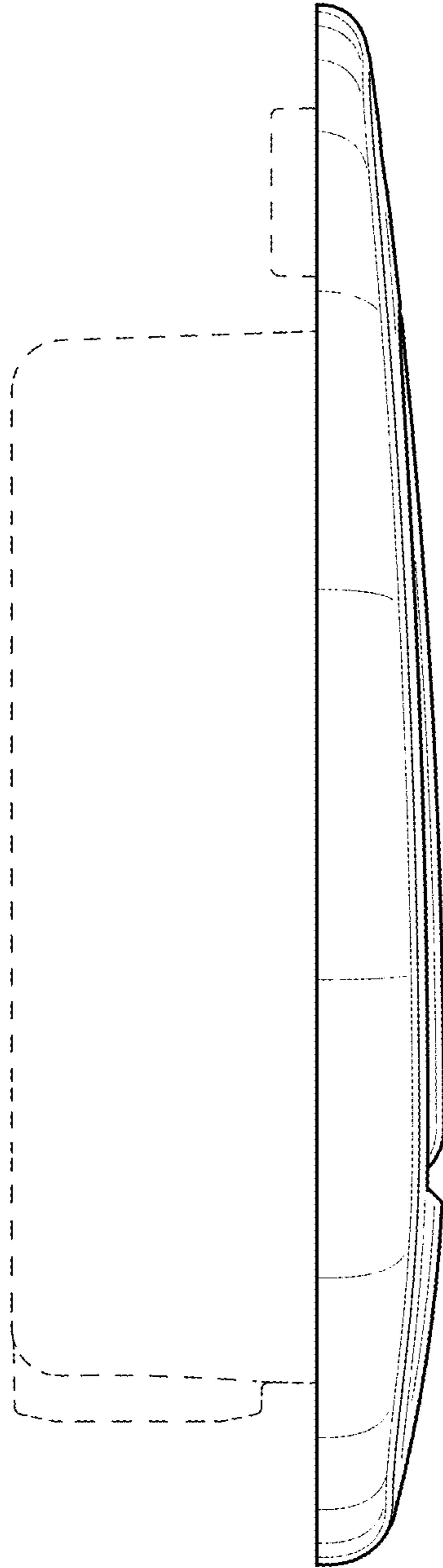


FIG. 4

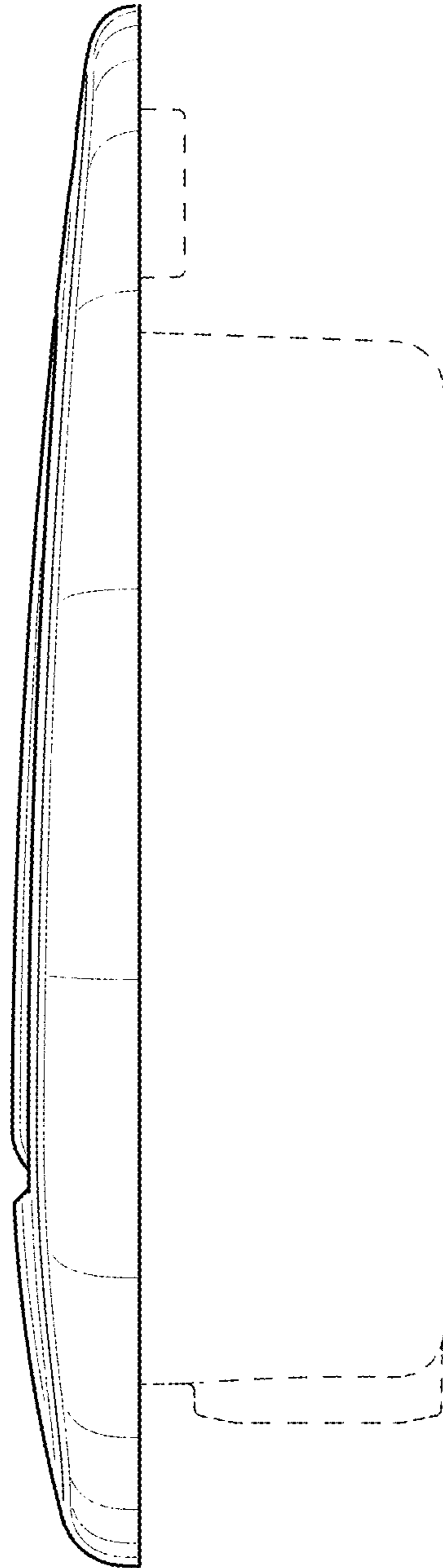


FIG. 5

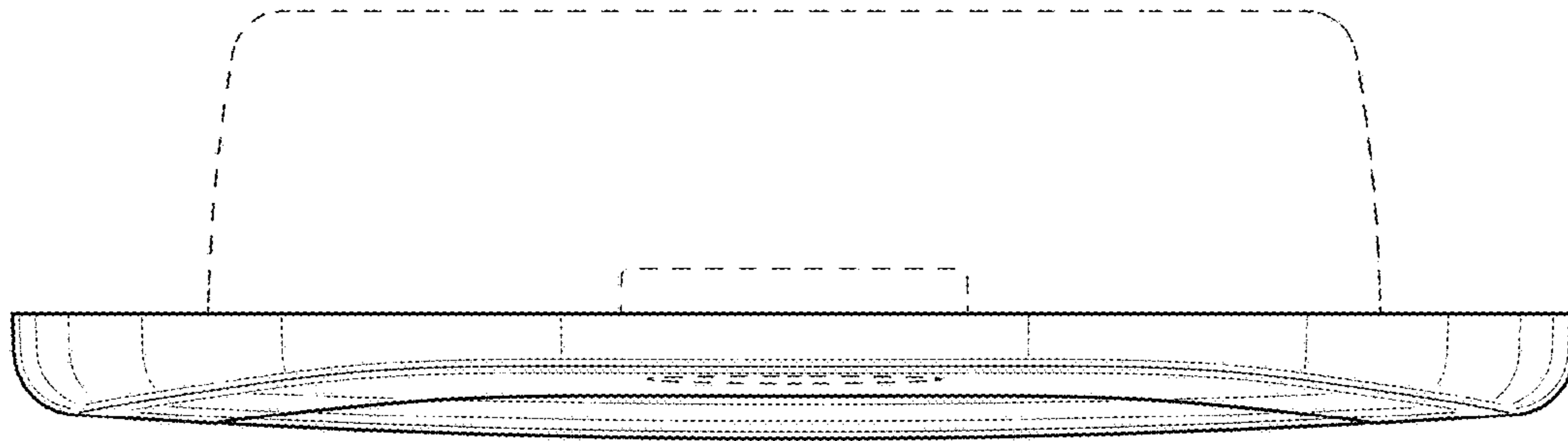


FIG. 6

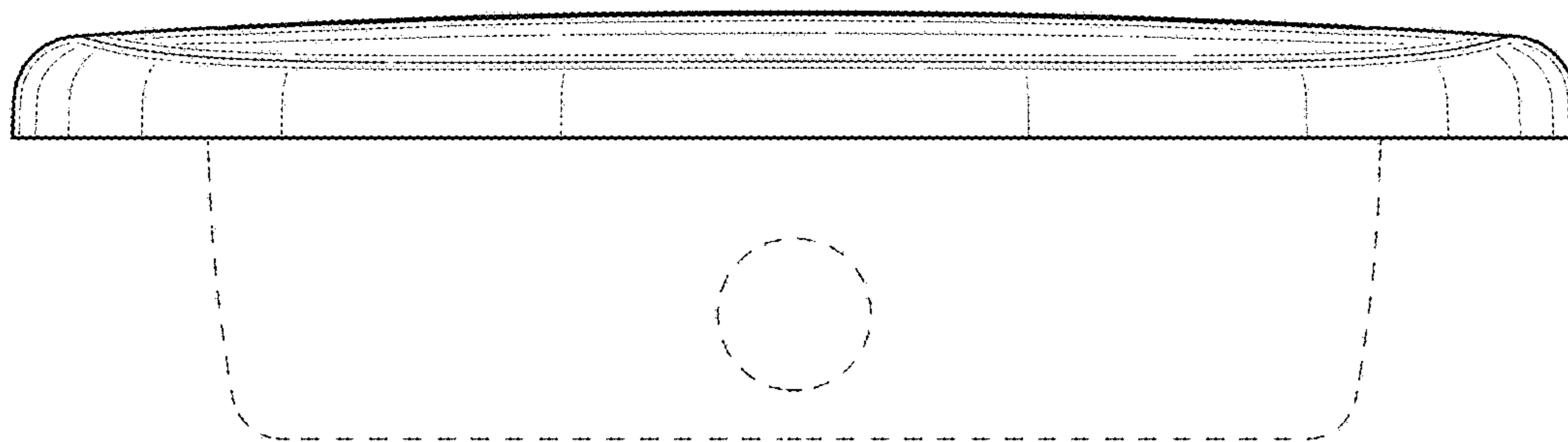


FIG. 7

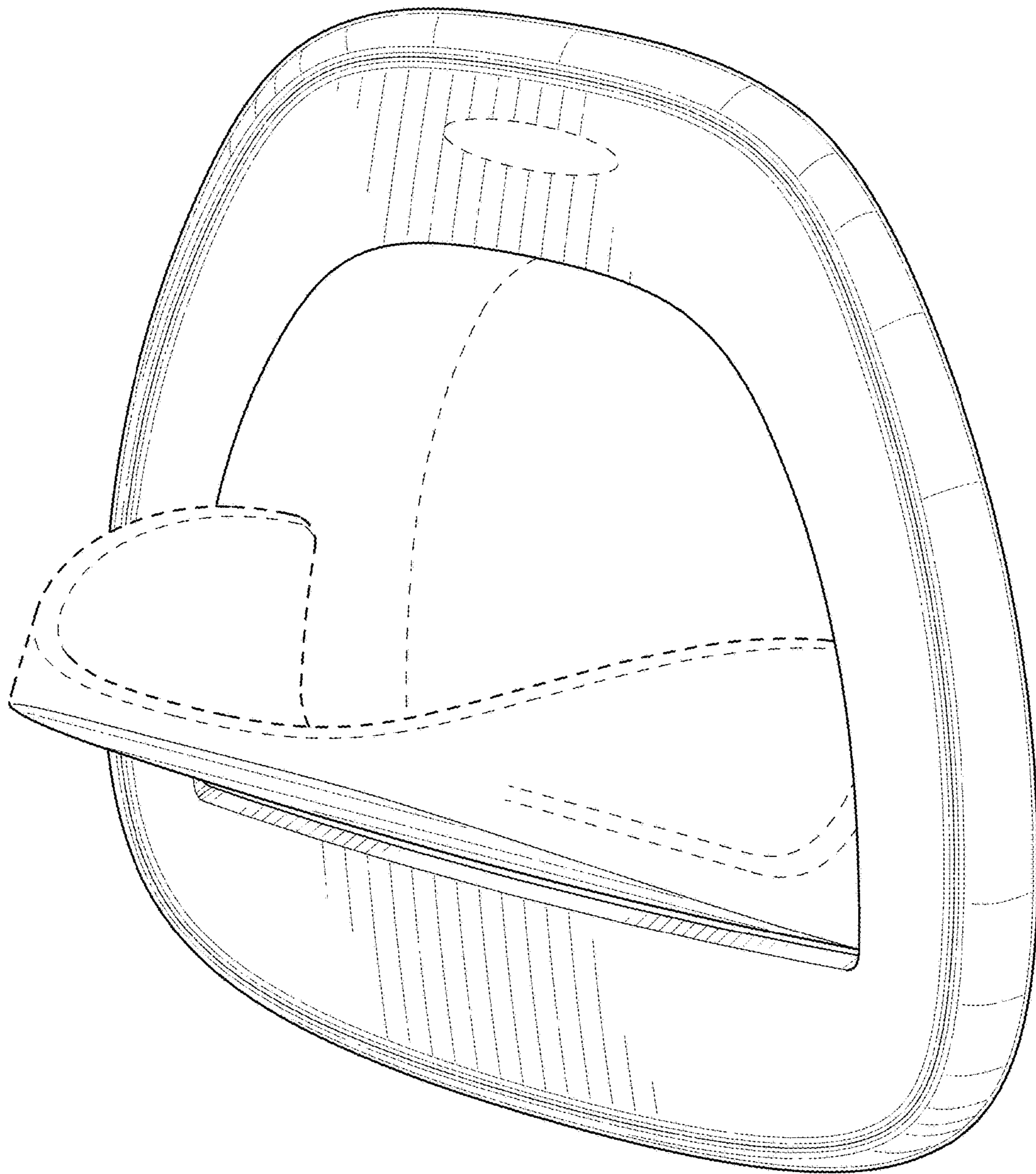


FIG. 8

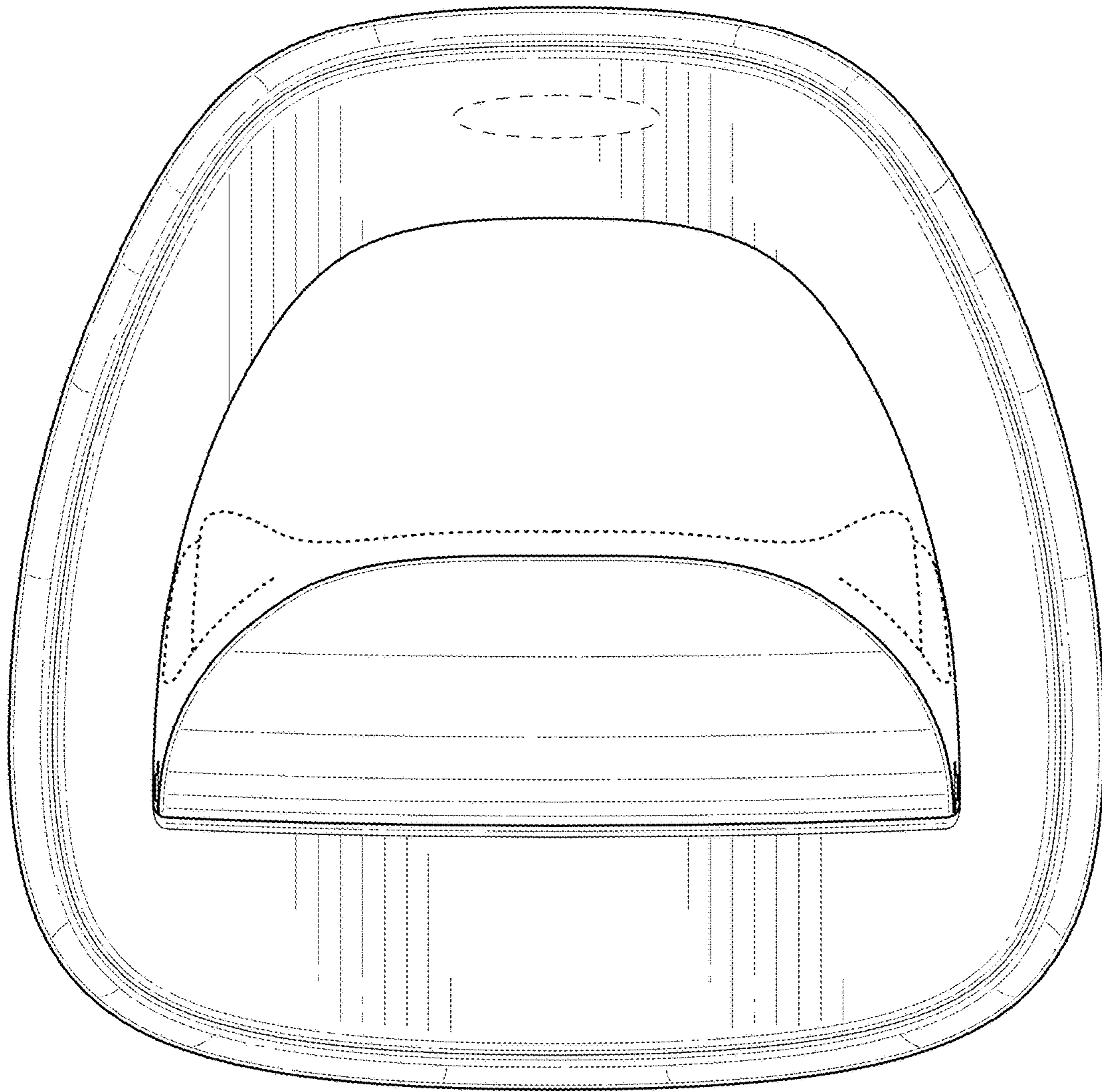


FIG. 9

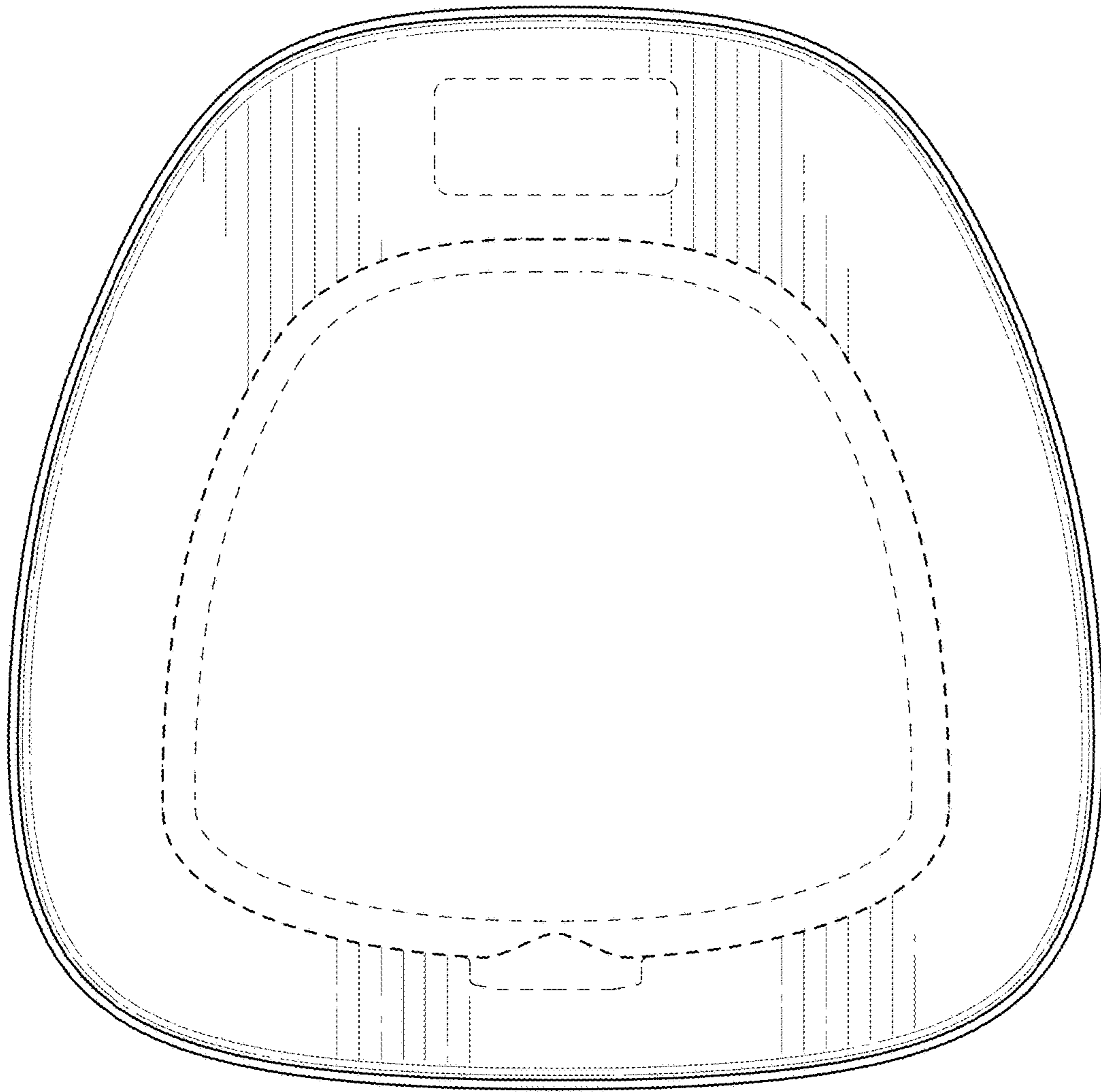


FIG. 10

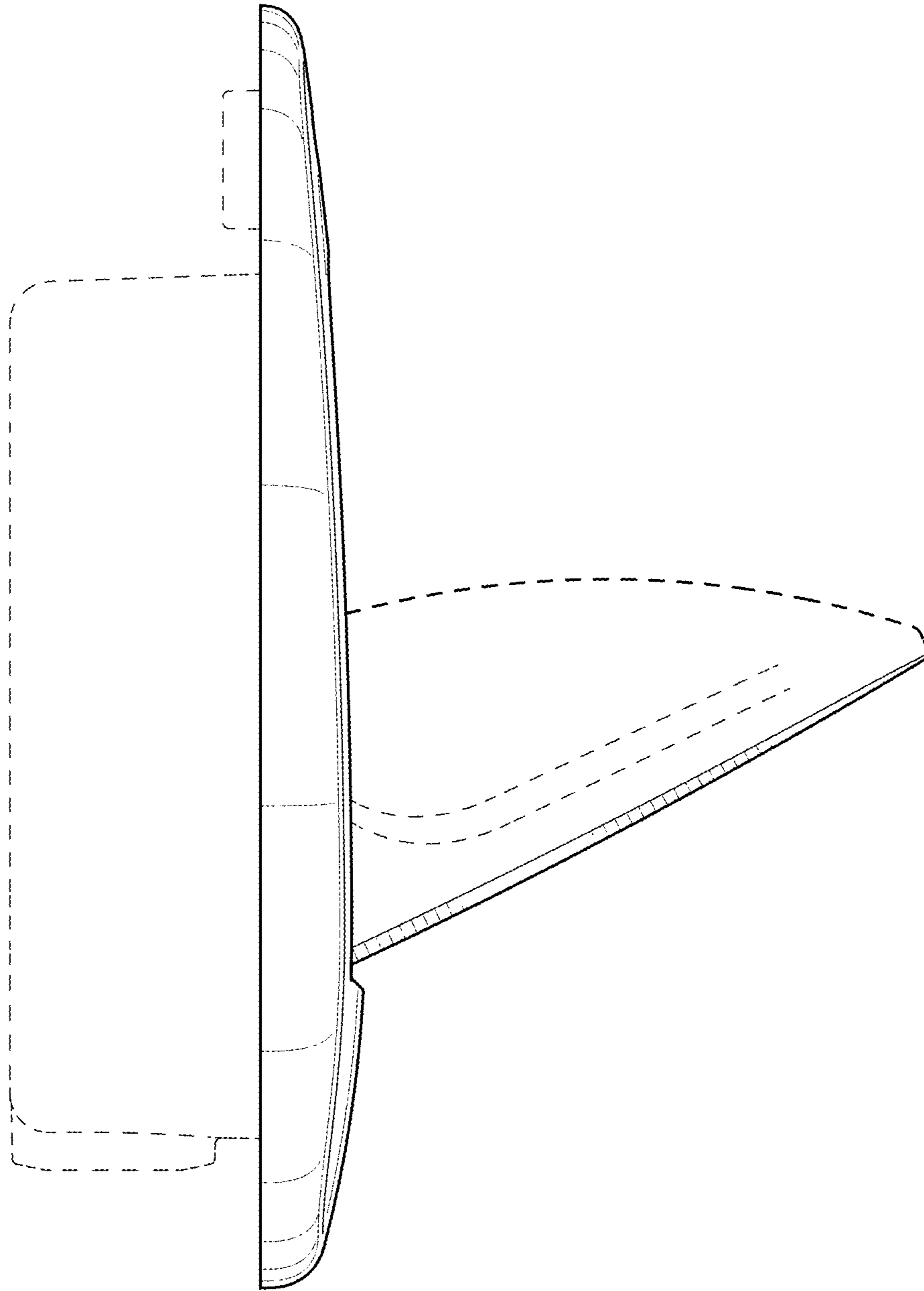


FIG. 11

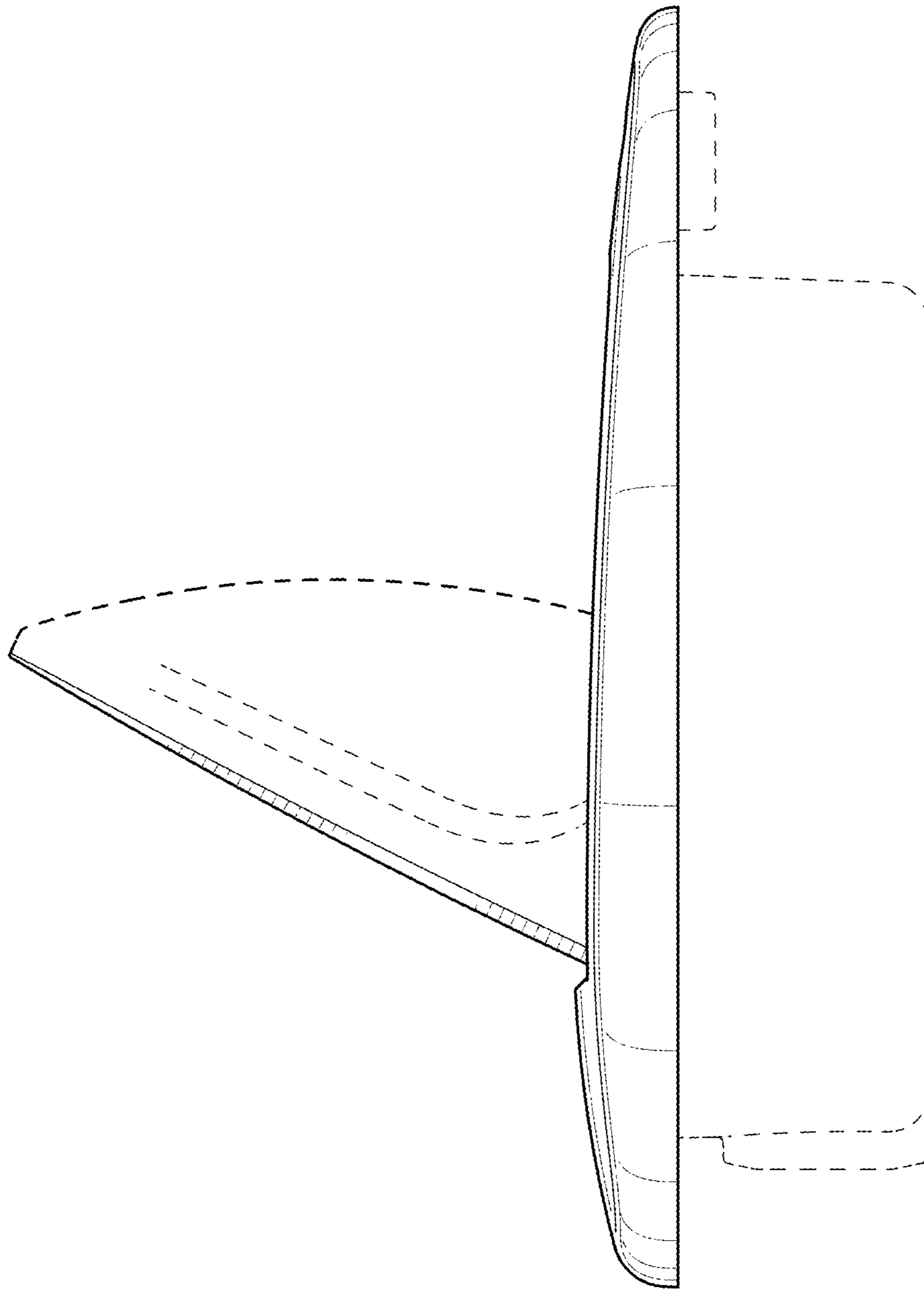


FIG. 12

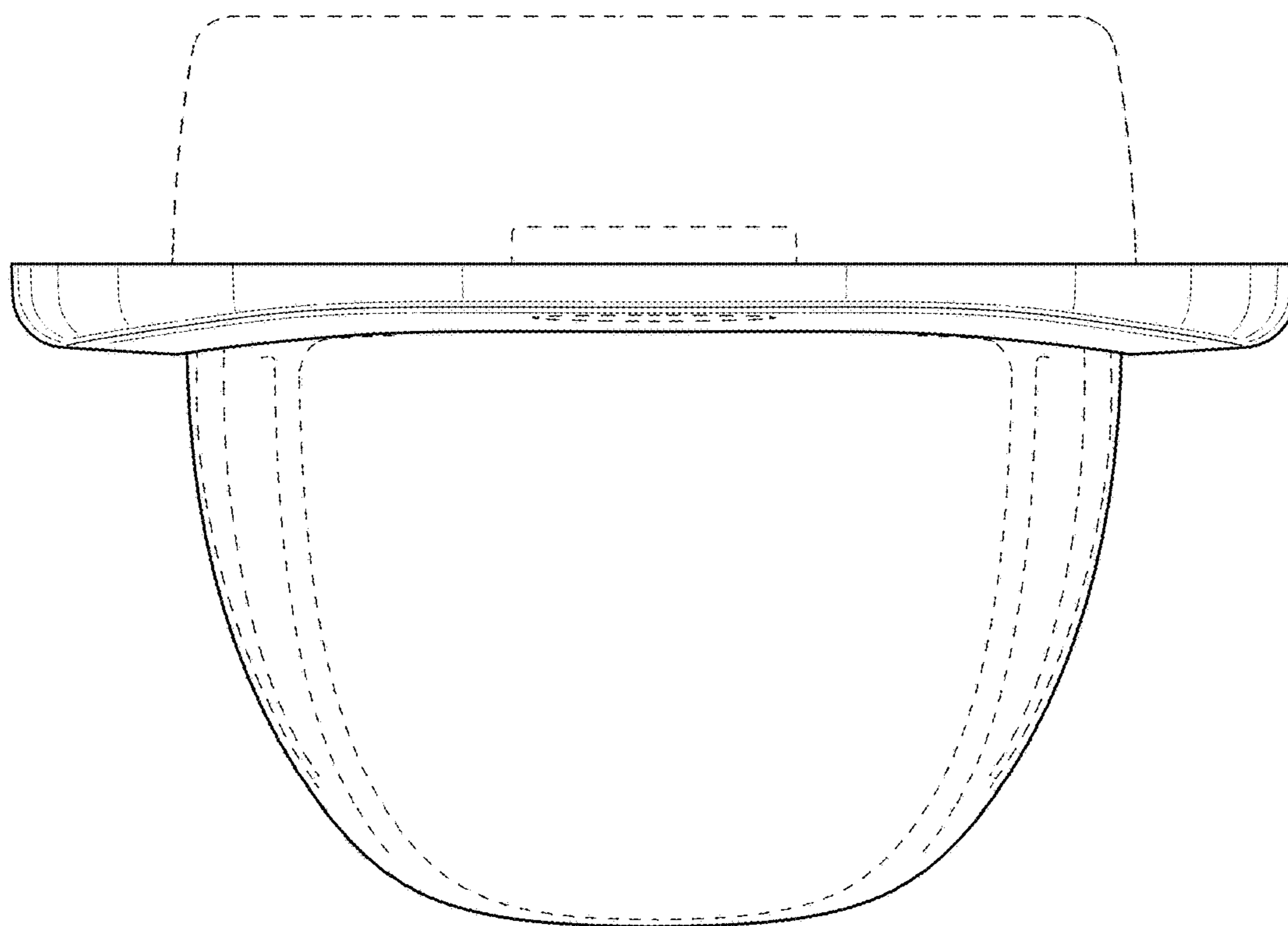


FIG. 13

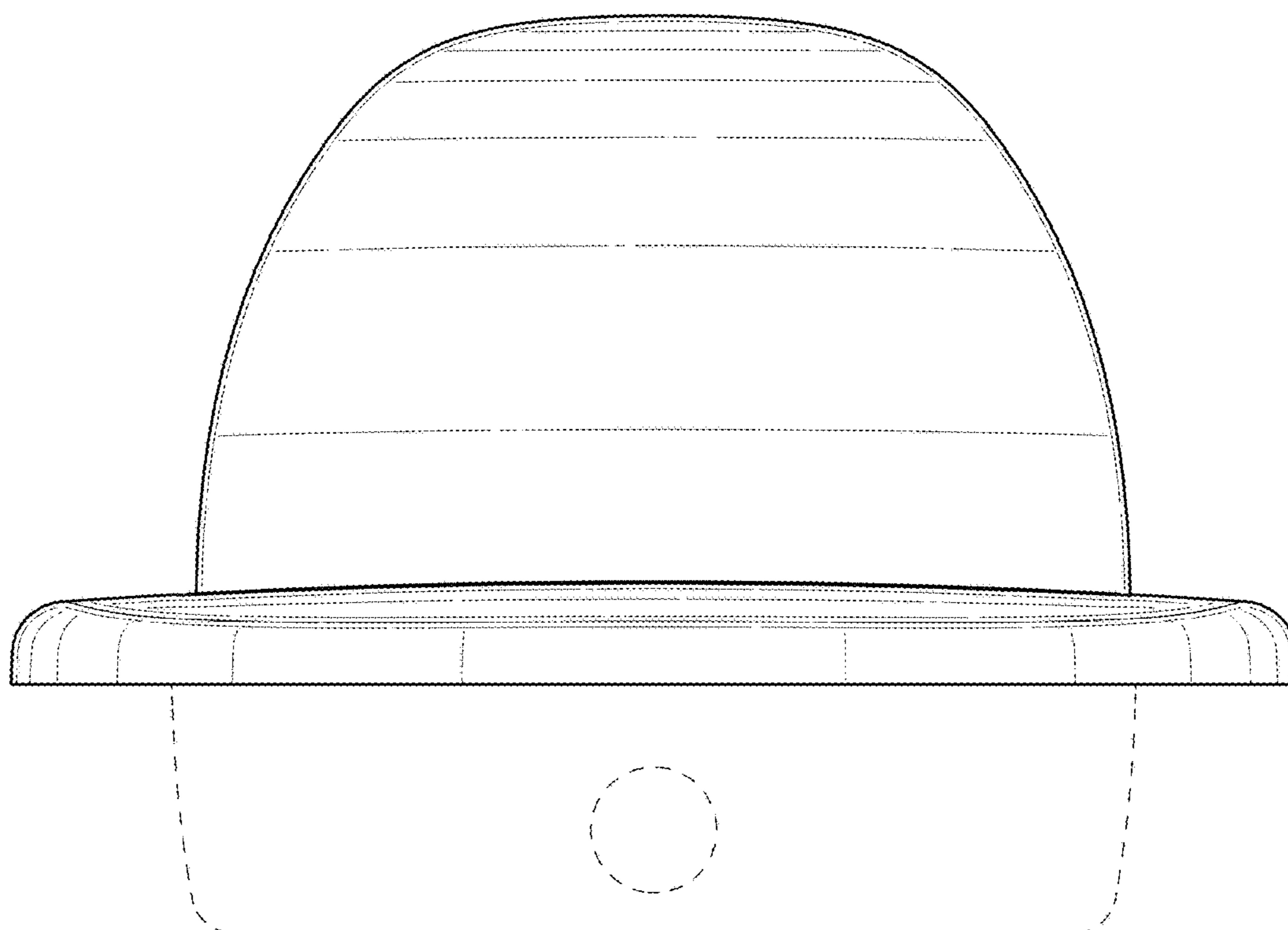


FIG. 14