



US00D785145S

(12) **United States Design Patent**
He et al.

(10) **Patent No.:** **US D785,145 S**

(45) **Date of Patent:** **** Apr. 25, 2017**

(54) **COMBINATION CEILING FAN AND LAMP**

(71) Applicant: **Ching-Wen Liu**, Taichung (TW)

(72) Inventors: **Jhong-Ruei He**, Taichung (TW);
Wen-Hong Luo, Taichung (TW)

(73) Assignee: **Ching-Wen Liu**, Taichung (TW)

(**) Term: **15 Years**

(21) Appl. No.: **29/534,088**

(22) Filed: **Jul. 24, 2015**

(51) **LOC (10) Cl.** **23-04**

(52) **U.S. Cl.**
USPC **D23/285**

(58) **Field of Classification Search**
USPC D23/370, 355, 314, 414, 371, 377, 385;
415/121.1; D14/432
CPC F04D 29/329; F04D 29/526; F04D 25/082;
F04D 29/325; F04D 29/703; F04D
29/547

See application file for complete search history.

(56) **References Cited**

U.S. PATENT DOCUMENTS

D340,514 S * 10/1993 Liao D23/328
5,522,704 A * 6/1996 Casteel H01R 25/142
362/404

D539,894 S * 4/2007 Bucher D23/377
D631,148 S * 1/2011 Benton D23/370
7,874,798 B2 * 1/2011 Frampton F04D 25/088
248/343
D689,648 S * 9/2013 Silver D26/118
D715,420 S * 10/2014 Funston D23/382
D728,507 S * 5/2015 Brandis D14/149
D760,369 S * 6/2016 Ertze D23/385

* cited by examiner

Primary Examiner — Cynthia Underwood

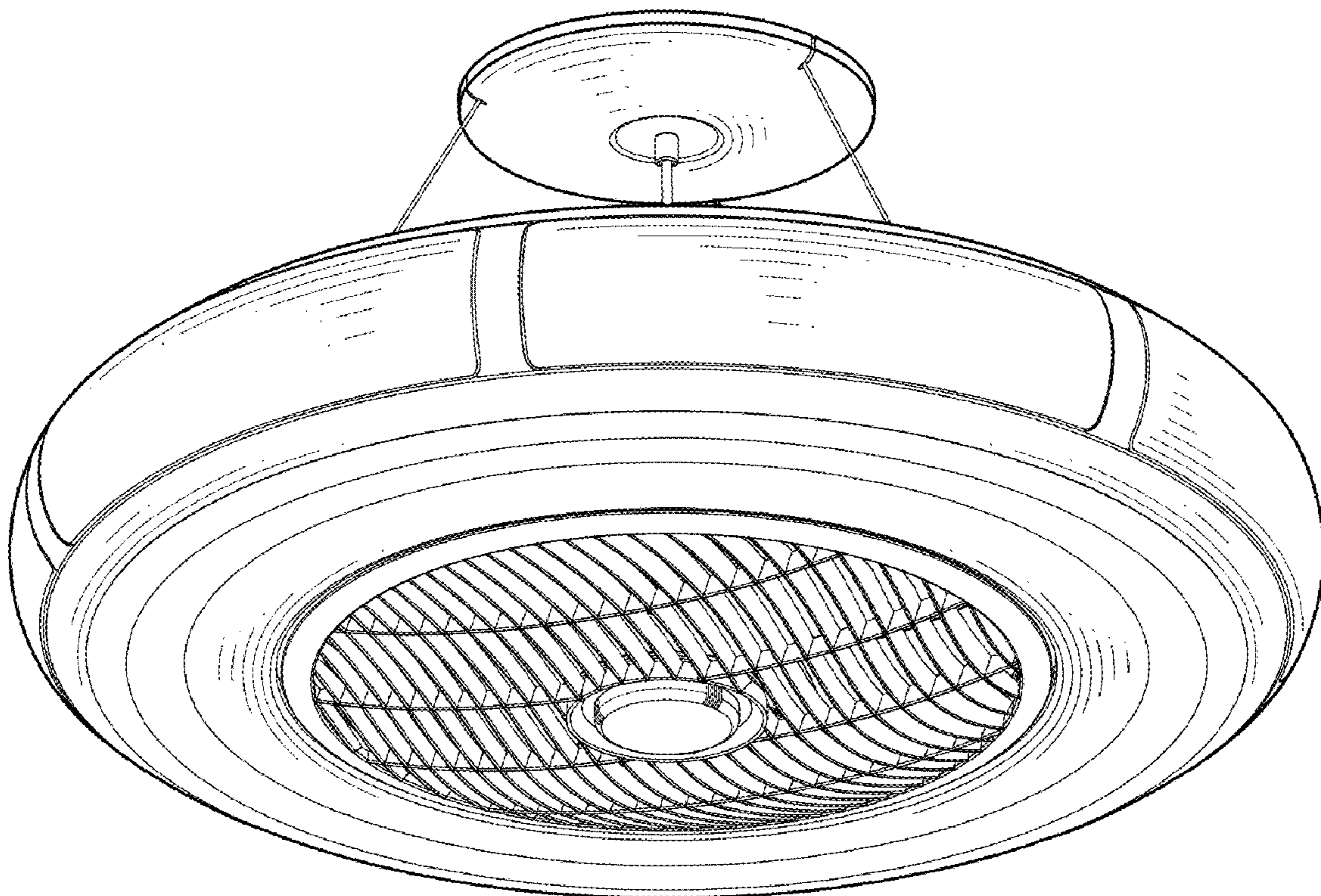
(57) **CLAIM**

The ornamental design for a combination ceiling fan and lamp, as shown.

DESCRIPTION

FIG. 1 is a perspective view of a combination ceiling fan and lamp showing my new design;
FIG. 2 is a front view thereof;
FIG. 3 is a rear view thereof;
FIG. 4 is a left view thereof;
FIG. 5 is a right view thereof;
FIG. 6 is a top view thereof; and,
FIG. 7 is a bottom view thereof.

1 Claim, 5 Drawing Sheets



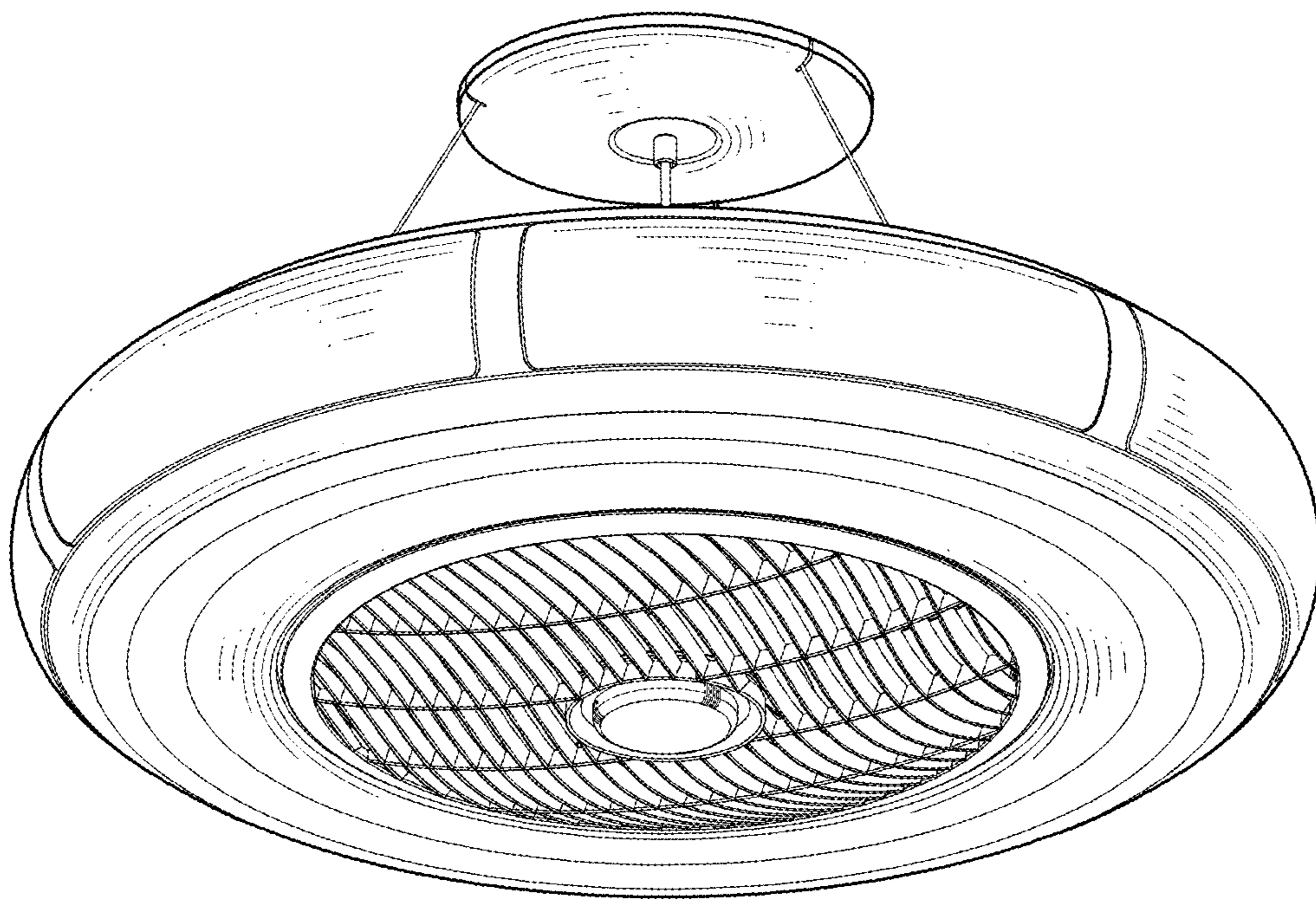


FIG. 1

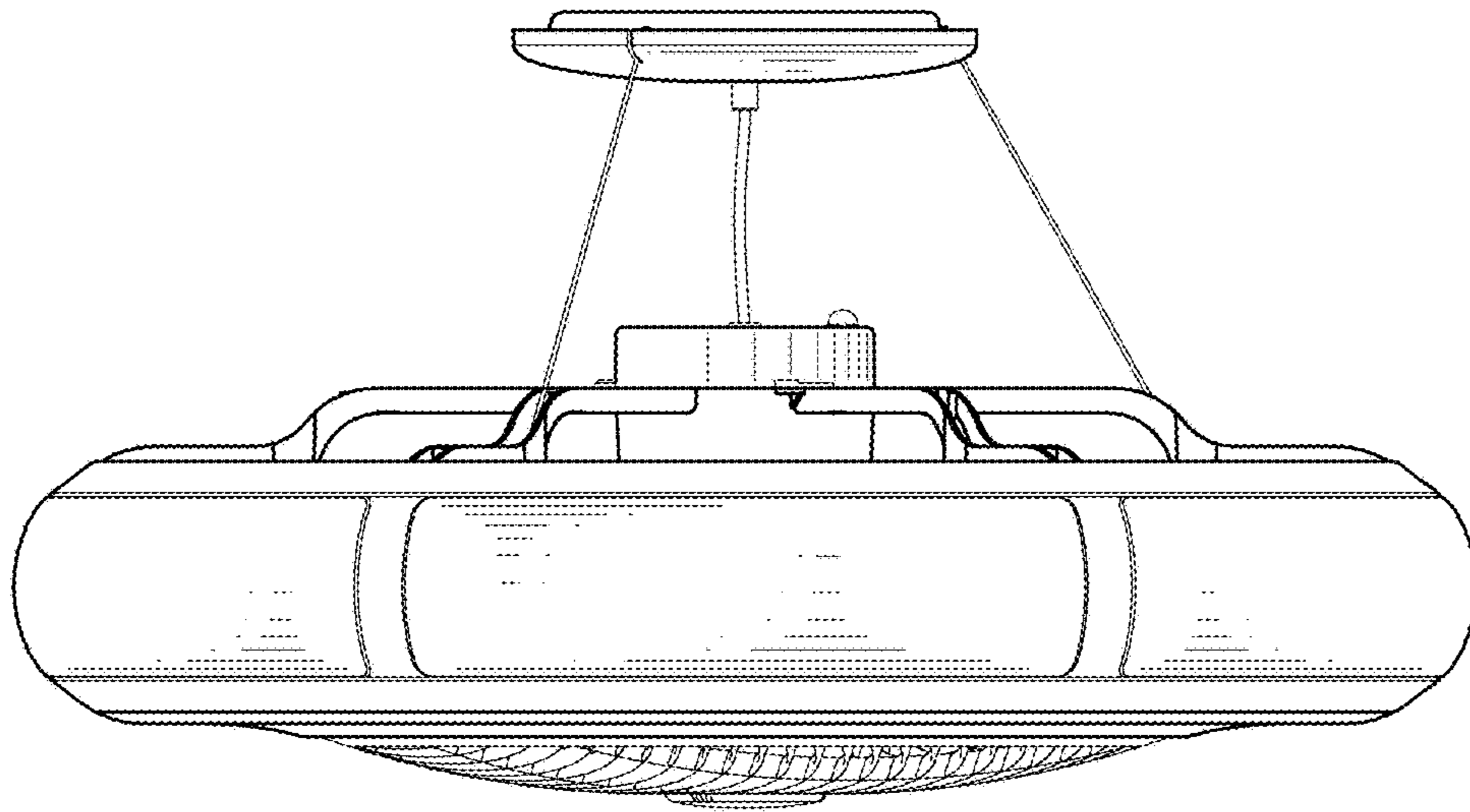


FIG. 2

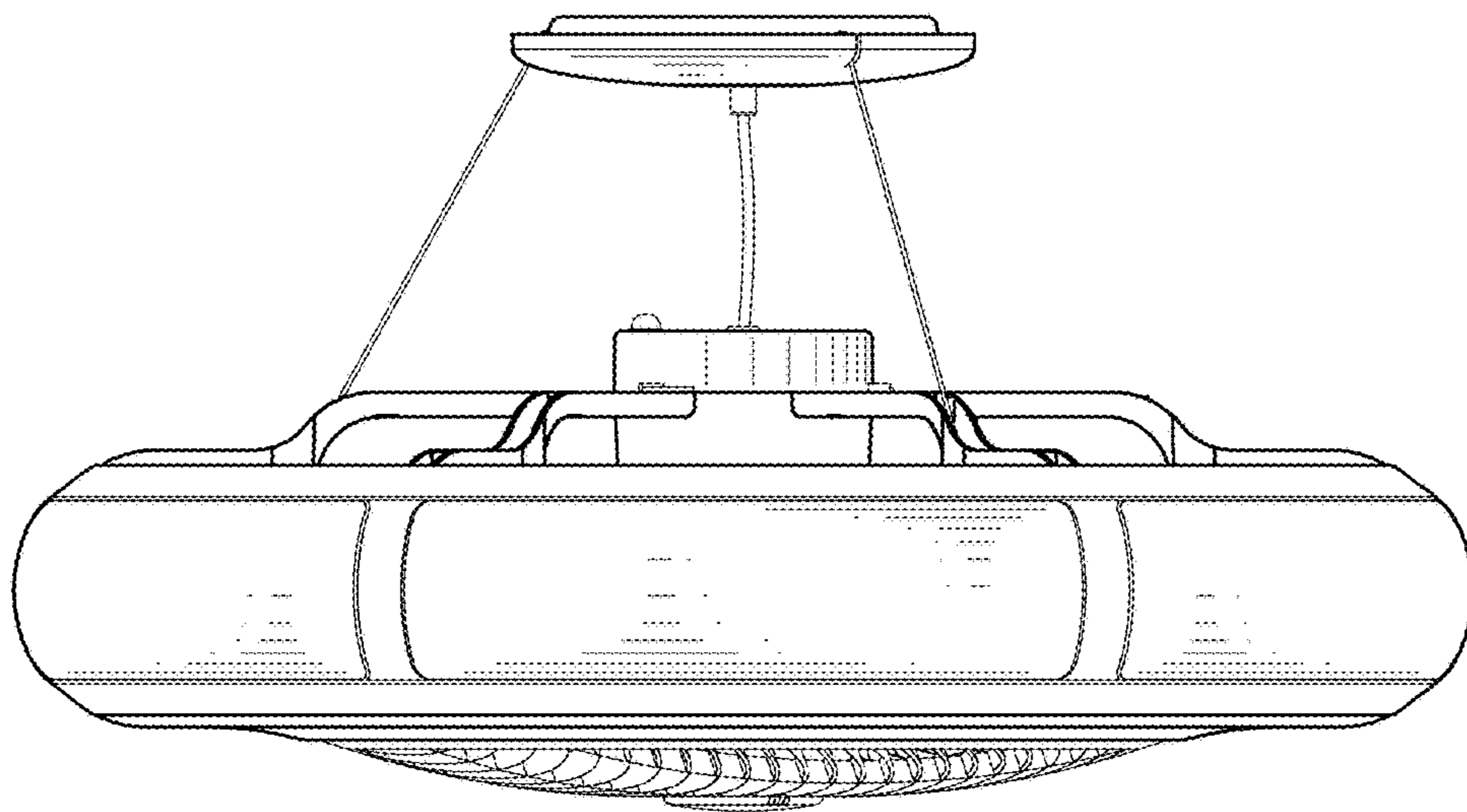


FIG. 3

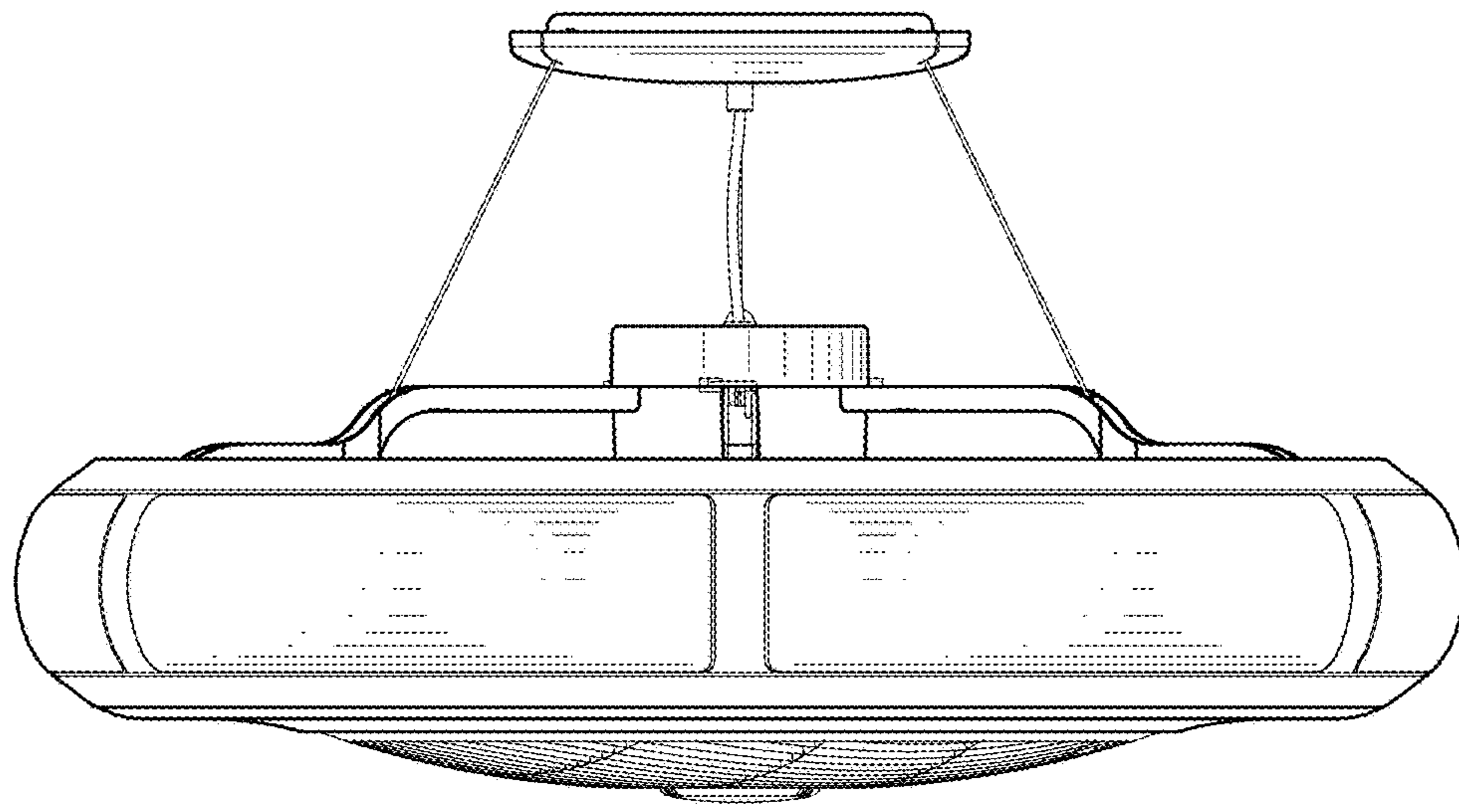


FIG. 4

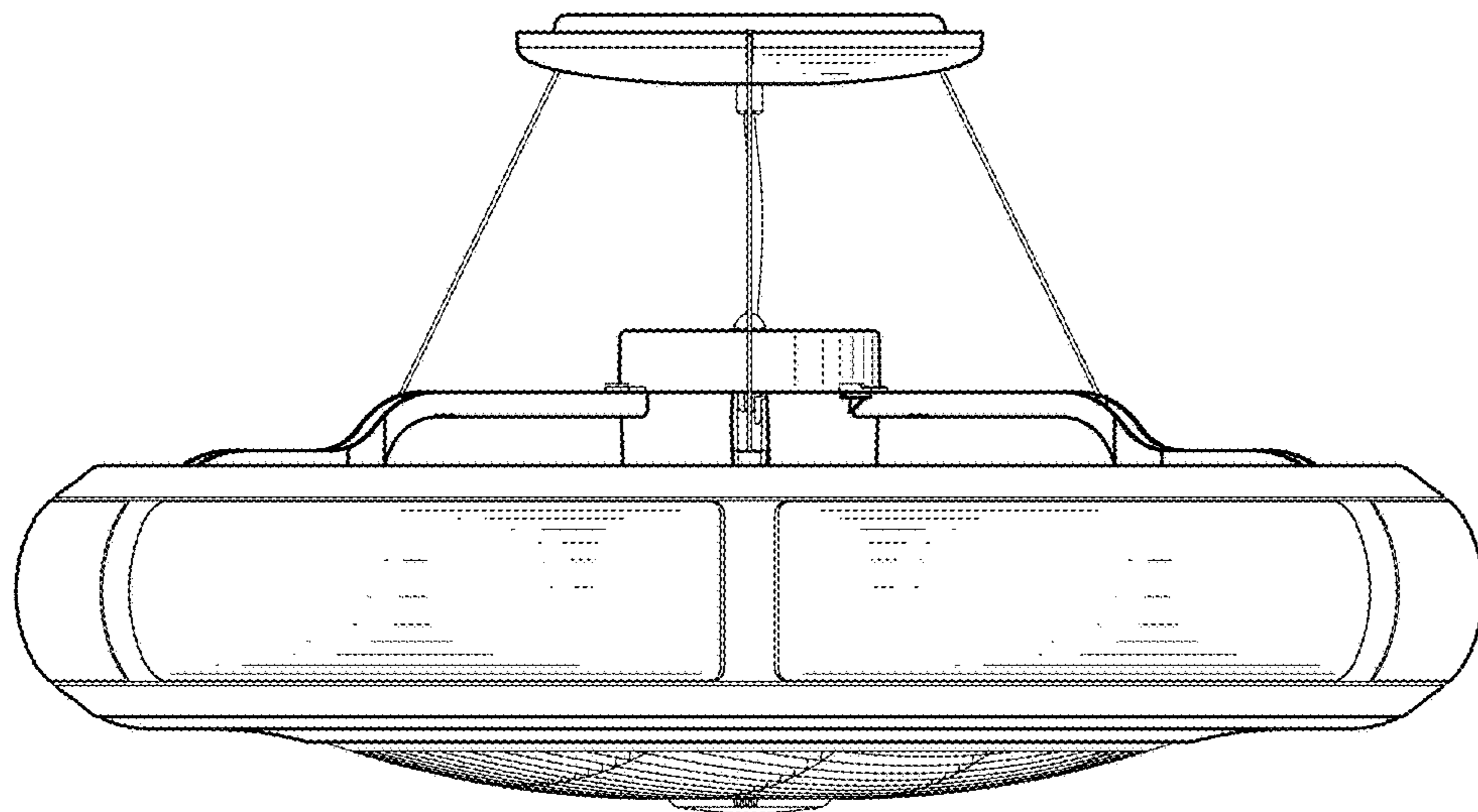


FIG. 5

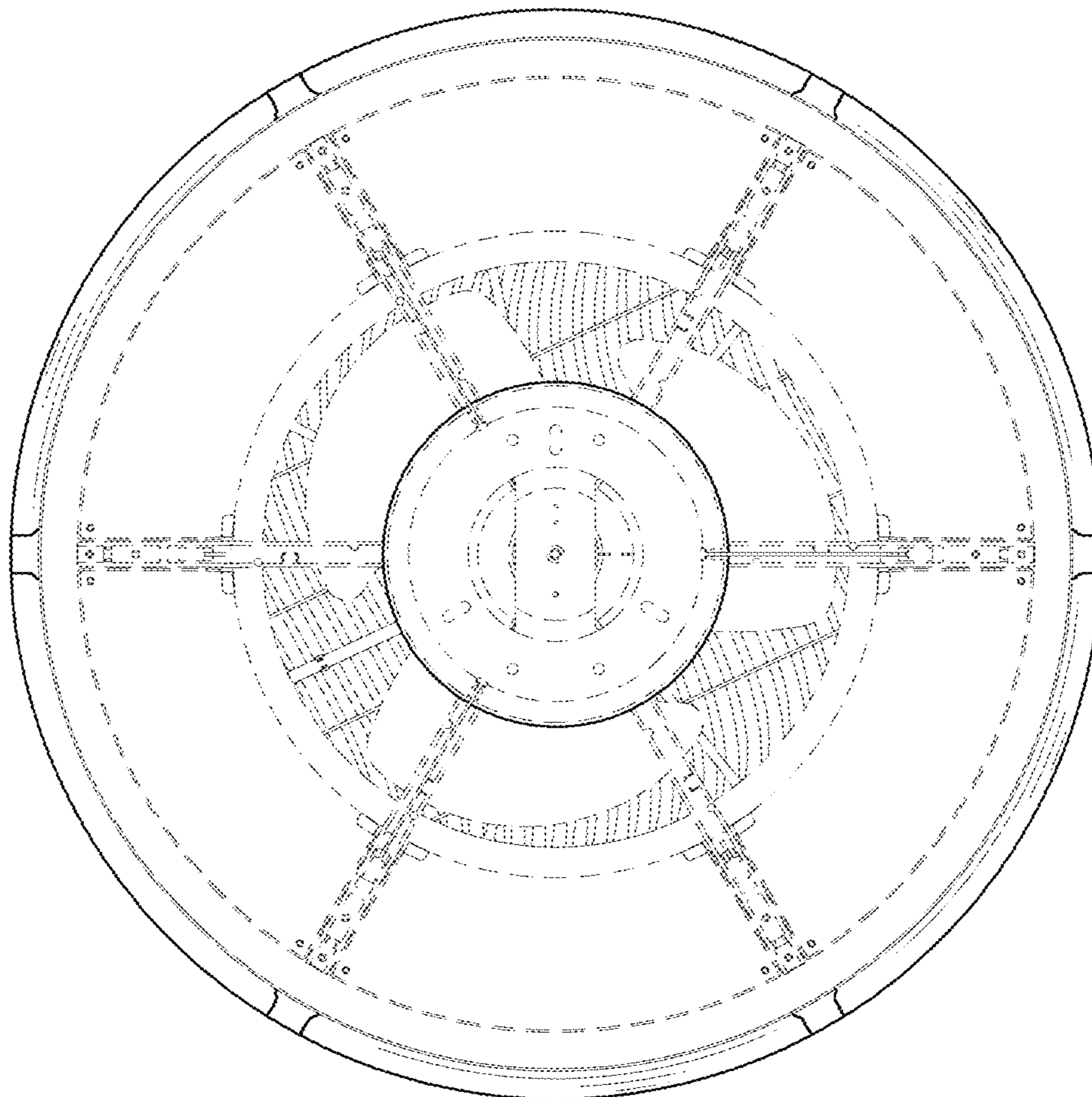


FIG. 6

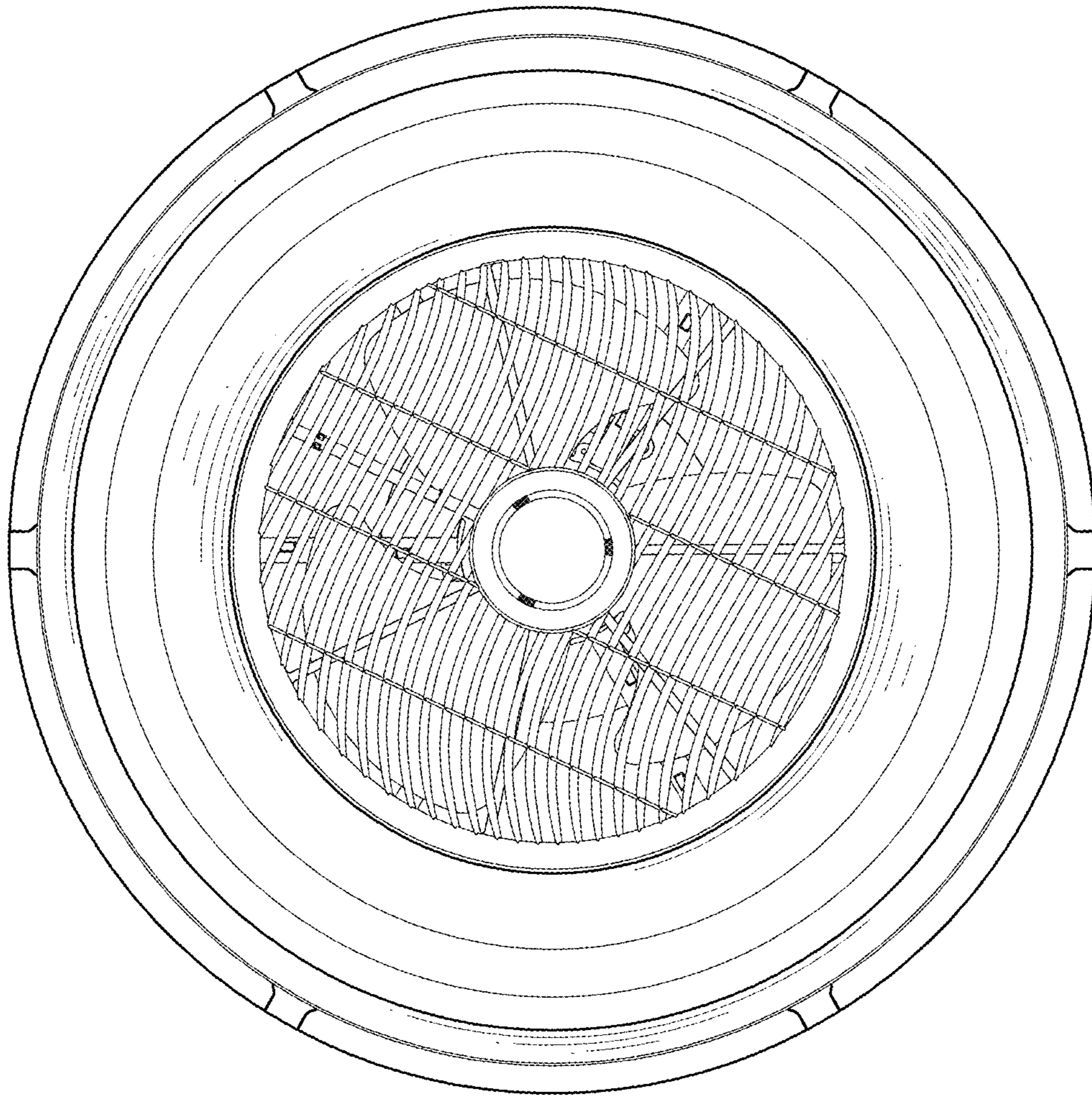


FIG. 7