



US00D785143S

(12) **United States Design Patent** (10) **Patent No.:** **US D785,143 S**
Greer (45) **Date of Patent:** **** Apr. 25, 2017**

(54) **SHAFT END FOR CONNECTING TO A
DEGAS COUPLER**

(71) Applicant: **Karl E. Greer**, Lewisport, KY (US)

(72) Inventor: **Karl E. Greer**, Lewisport, KY (US)

(**) Term: **15 Years**

(21) Appl. No.: **29/548,437**

(22) Filed: **Dec. 14, 2015**

(51) **LOC (10) Cl.** **23-01**

(52) **U.S. Cl.**
USPC **D23/262**

(58) **Field of Classification Search**
USPC D23/259-261, 267-269, 262-266;
D8/330-331, 343-345, 382; 285/107,
285/148.19, 148.22; 251/148;
D24/110.6, 113, 129
CPC F16L 37/00; F16L 37/091; F16L 33/227;
F16L 33/22
See application file for complete search history.

(56) **References Cited**

U.S. PATENT DOCUMENTS

3,848,902 A * 11/1974 Modrey F16L 33/227
285/124.4
D313,067 S * 12/1990 Kotake D23/262

D361,501 S * 8/1995 Myers D8/331
D453,815 S * 2/2002 Hoenig D23/259
D480,453 S * 10/2003 Filer D23/262
D480,454 S * 10/2003 Filer D23/262
D639,398 S * 6/2011 Wilhelm D23/262
D646,145 S * 10/2011 Stuckey D8/331
D648,008 S * 11/2011 Percoco D23/262
D691,246 S * 10/2013 Ward D23/262
D711,516 S * 8/2014 Guest D23/262
D731,626 S * 6/2015 Umehara D23/262
D758,555 S * 6/2016 Van Dyke D23/262

* cited by examiner

Primary Examiner — Eric Goodman

Assistant Examiner — Amy Wierenga

(74) *Attorney, Agent, or Firm* — Gary K. Price

(57) **CLAIM**

The ornamental design for a shaft end for connecting to a degas coupler, as shown and described.

DESCRIPTION

FIG. 1 is a perspective view of a shaft end for connecting to a degas coupler;

FIG. 2 is a front view of FIG. 1.

FIG. 3 is a side view of FIG. 1.

FIG. 4 is a back view of FIG. 1; and,

FIG. 5 is a top view of FIG. 1.

1 Claim, 5 Drawing Sheets

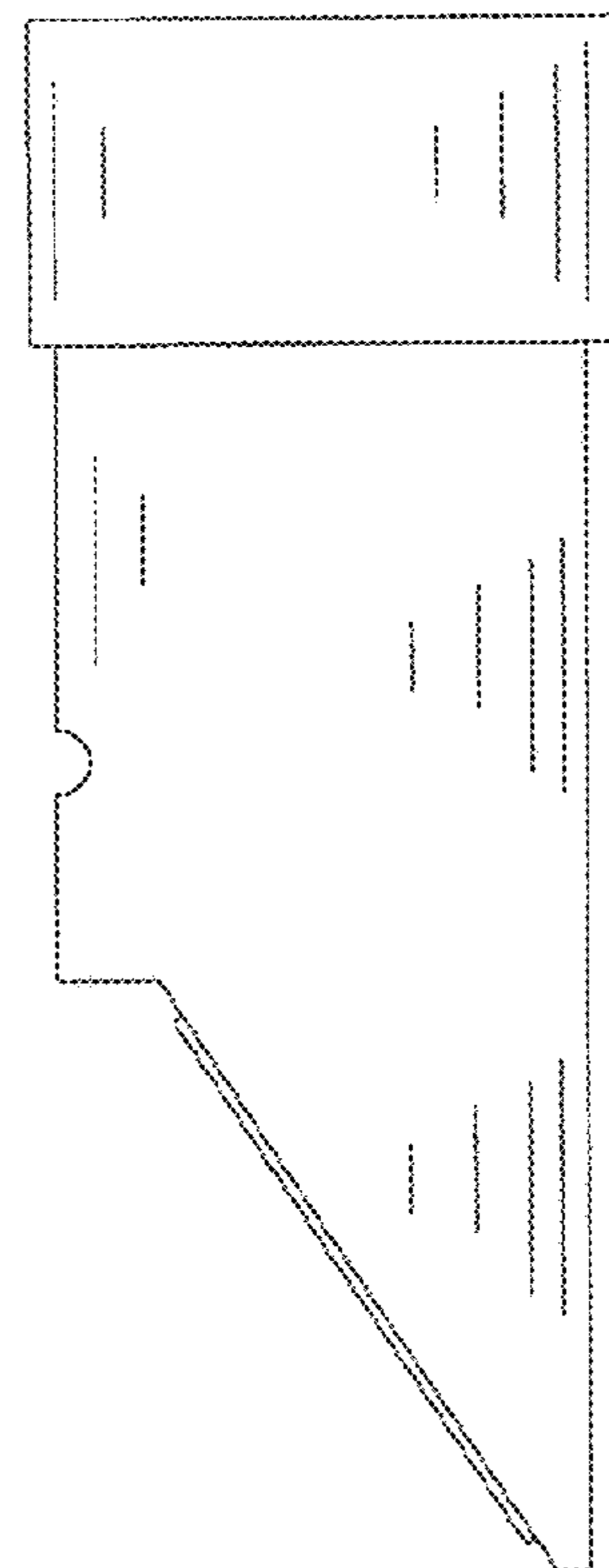
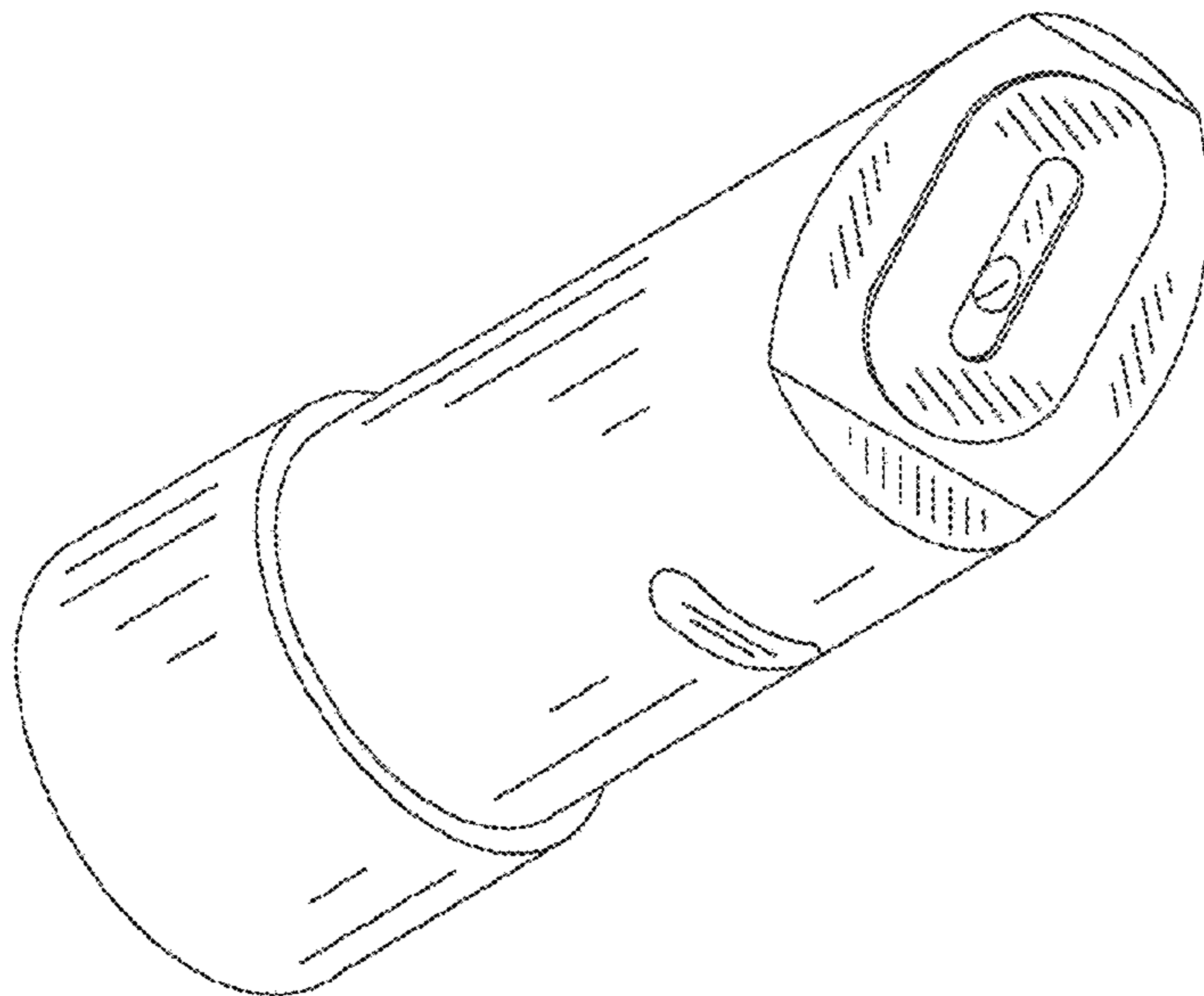


FIG. 1

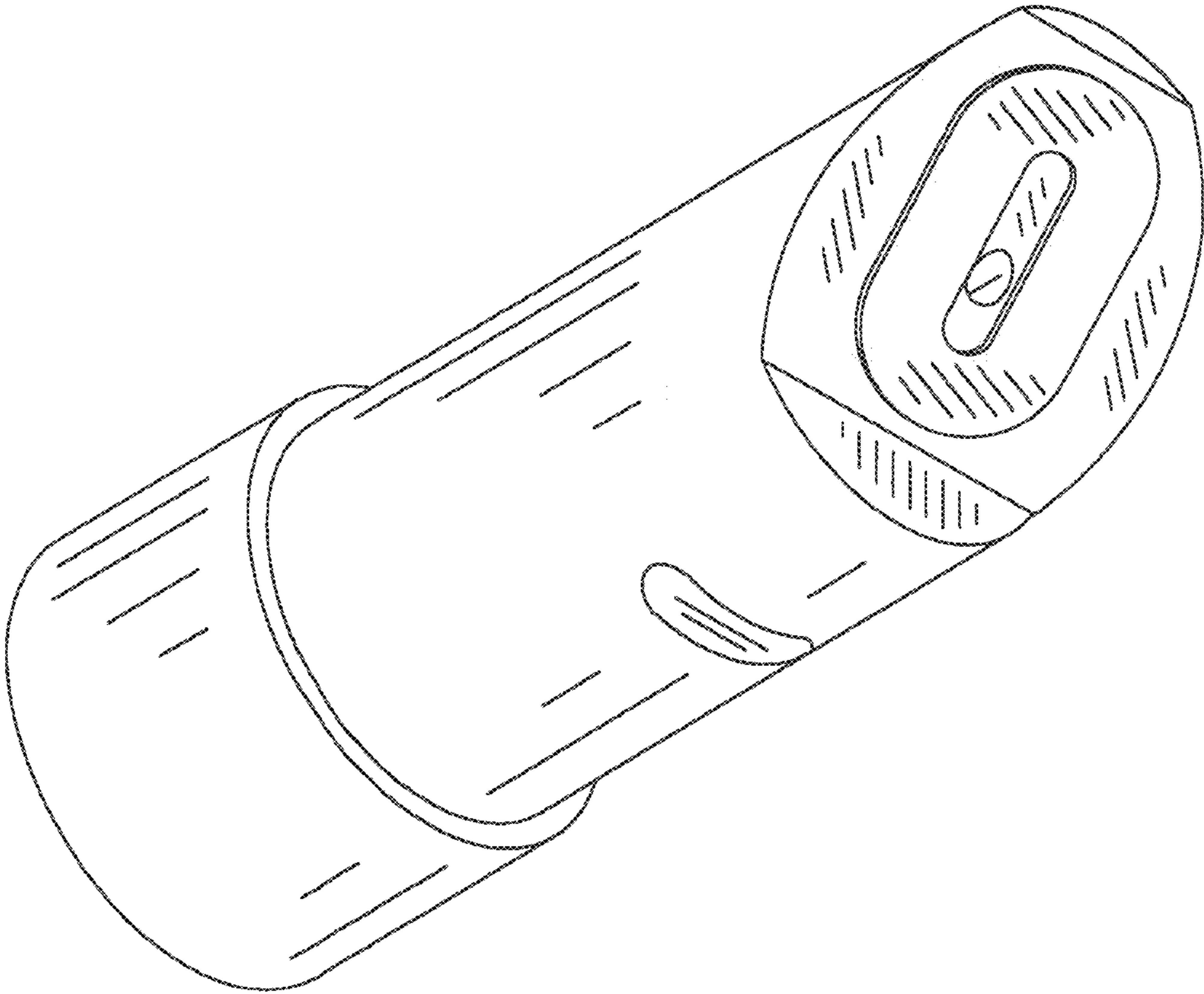


FIG. 2

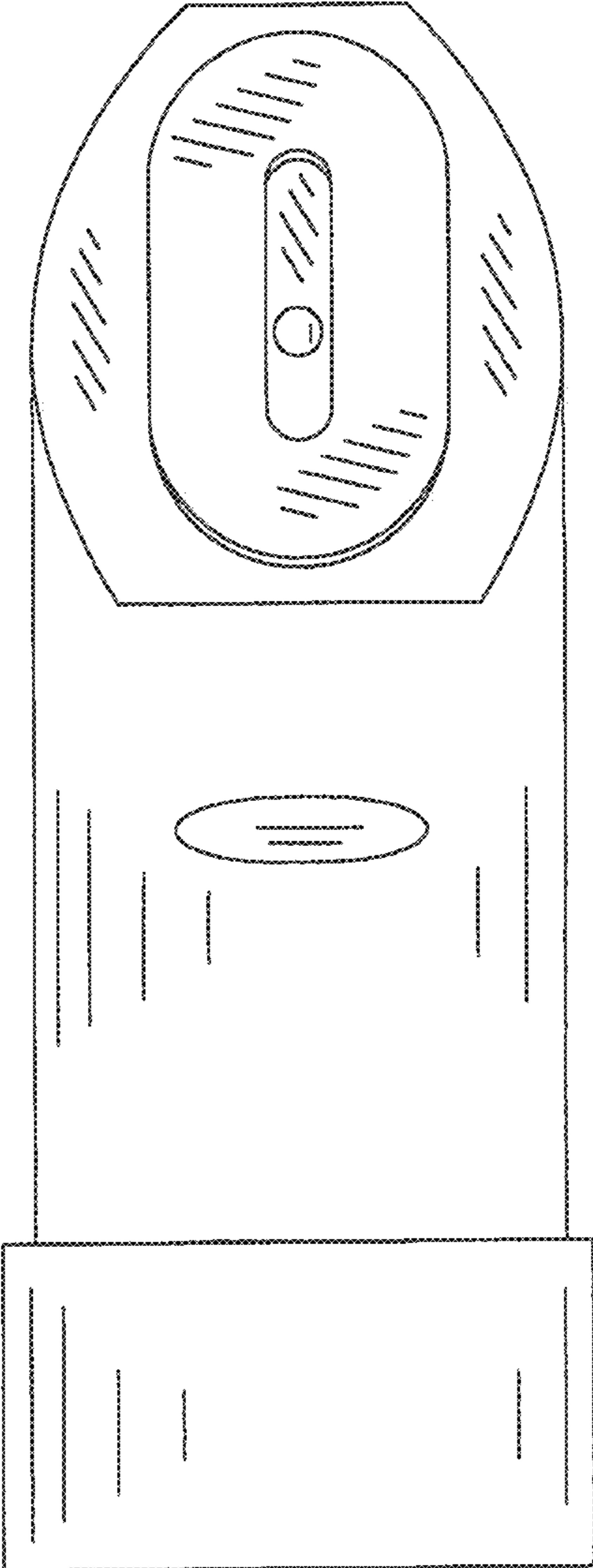


FIG. 3

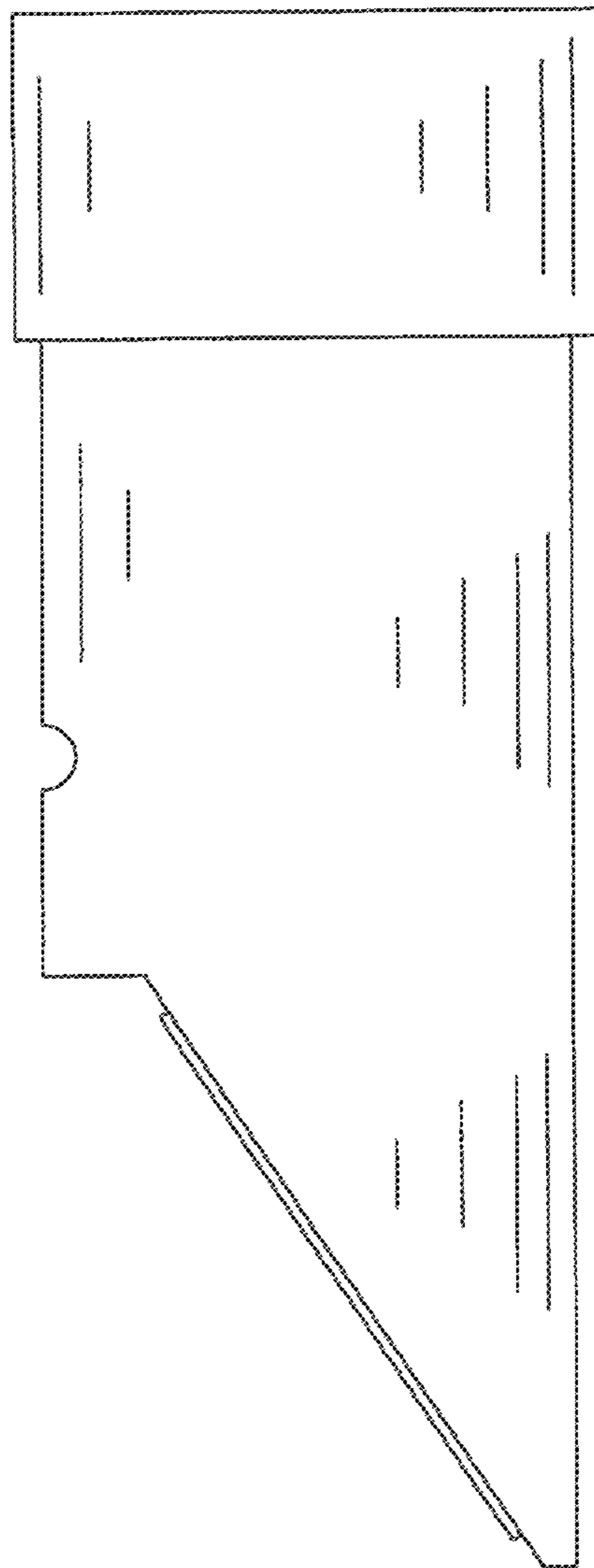


FIG. 4

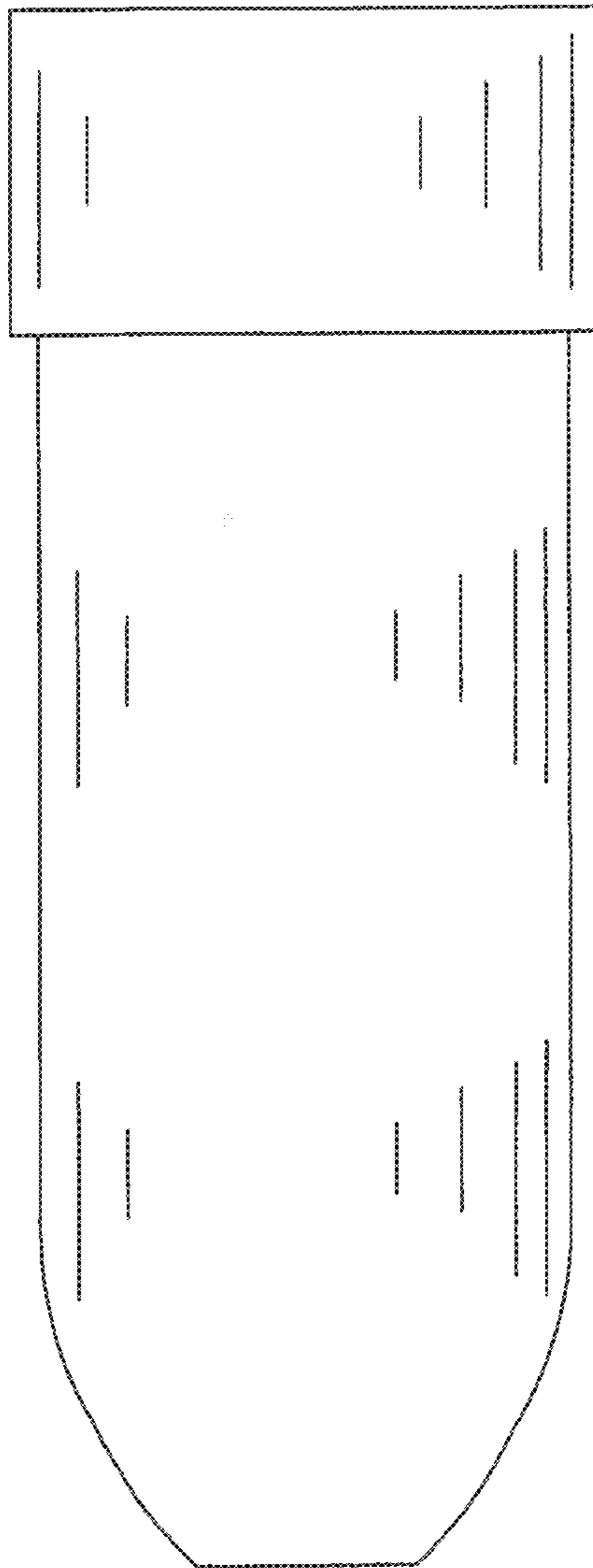


FIG. 5

