



US00D785142S

(12) **United States Design Patent**
Monaghan

(10) **Patent No.:** **US D785,142 S**

(45) **Date of Patent:** **** Apr. 25, 2017**

(54) **SUCTION STRAINER**

(71) Applicant: **S&P Industrial Pty Ltd**, Bathurst (AU)

(72) Inventor: **Tom Monaghan**, Bathhurst (AU)

(73) Assignee: **S&P INDUSTRIAL PTY LTD**,
Bathurst (AU)

(**) Term: **15 Years**

(21) Appl. No.: **29/549,353**

(22) Filed: **Dec. 21, 2015**

(30) **Foreign Application Priority Data**

Jun. 19, 2015 (AU) 13091/2015

(51) **LOC (10) Cl.** **23-01**

(52) **U.S. Cl.**
USPC **D23/261**

(58) **Field of Classification Search**
USPC ... D23/4, 208–210, 259–261, 267–269, 365,
D23/368; D7/667–669; D15/7; 4/286,
4/290, 292; 210/348, 483
CPC B01D 25/02; B01D 23/28; B01D 29/15;
B01D 35/153; B01D 36/001; C02F 1/003;
C02F 2307/02

See application file for complete search history.

(56) **References Cited**

U.S. PATENT DOCUMENTS

D28,964 S *	6/1898	Wieber	D23/261
2,377,373 A *	6/1945	Robertson	E04D 13/04
				210/463
D167,285 S *	7/1952	Schmid	D23/261
2,685,969 A *	8/1954	Curtis	B01D 23/28
				162/165
D187,205 S *	2/1960	Laughlin	D23/261
4,732,678 A *	3/1988	Humbert, Jr.	B01D 27/06
				210/440
7,422,119 B2 *	9/2008	Malgorn	B01D 29/15
				210/437

D600,776 S *	9/2009	Hubbard	D23/209
D643,090 S *	8/2011	Cumberland	D23/209
D643,508 S *	8/2011	Wilkinson	D23/209
D731,617 S *	6/2015	Kohl	D23/209
D753,791 S *	4/2016	Rashid	D23/209
D756,483 S *	5/2016	Ruprecht	D23/209

FOREIGN PATENT DOCUMENTS

AU 361842 S 5/2015

OTHER PUBLICATIONS

S&P Industrial Pty, Ltd. website: <https://www.sandpindustrial.com/overview/> Found Nov. 21, 2016.*

Reflex Strianer vs. Tractor video, YouTube. <https://www.youtube.com/watch?v=Cmtbhm7yCas> Published Apr. 24, 2016, Found Nov. 21, 2016.*

* cited by examiner

Primary Examiner — Eric Goodman
Assistant Examiner — Amy Wierenga

(74) *Attorney, Agent, or Firm* — Venable LLP; Henry J. Daley; George L. Howarah

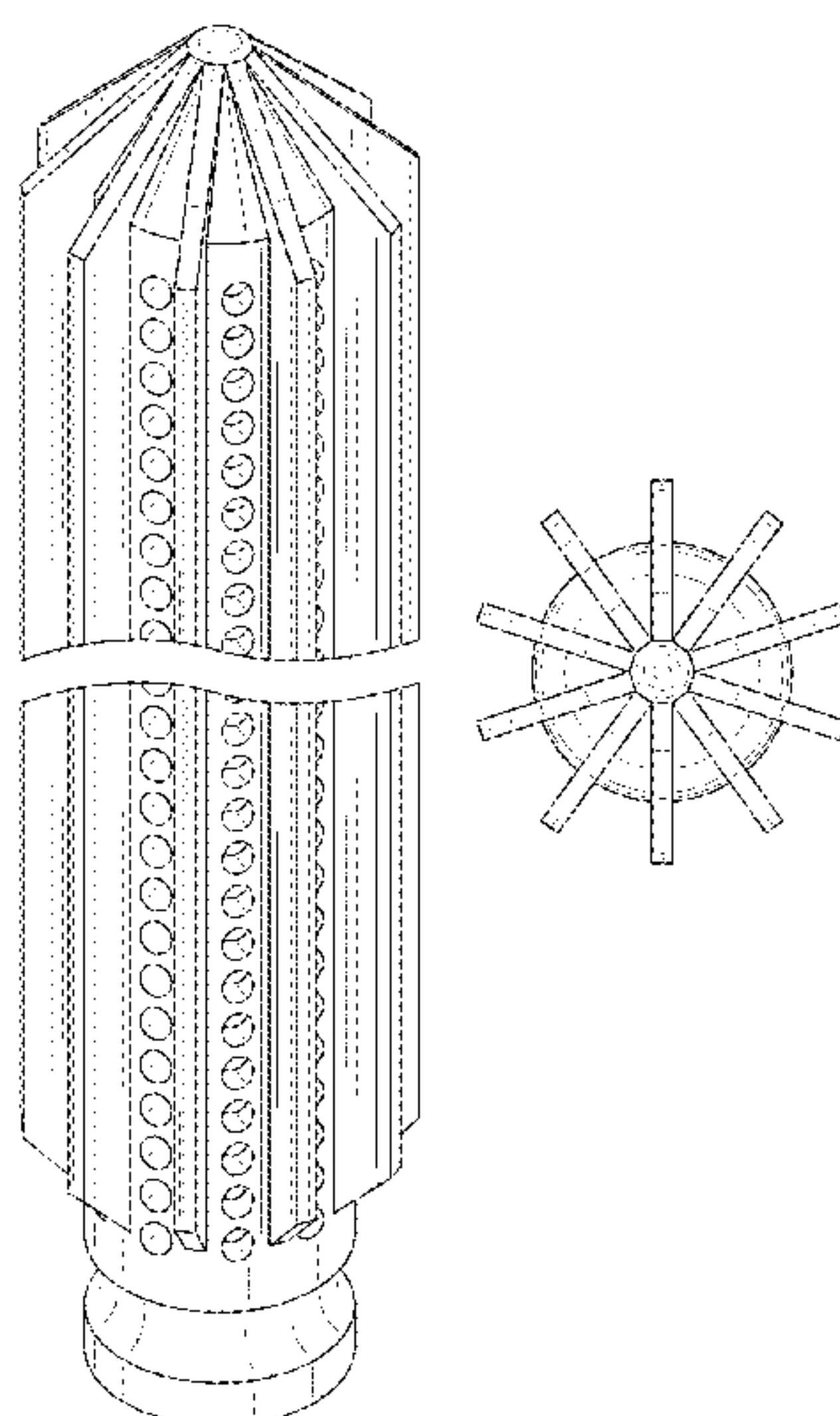
(57) **CLAIM**

The ornamental design for suction strainer, as shown and described.

DESCRIPTION

FIG. 1 is a perspective view of a suction strainer;
FIG. 2 is a front view thereof;
FIG. 3 is a rear view thereof; and,
FIG. 4 is a plan view thereof.
The dash-dot broken line shown in FIG. 3 depict boundaries of the claim and form no part thereof. The suction strainer is shown with a symbolic break in its length. The appearance of any portion of the article between the break lines forms no part of the claimed design.

1 Claim, 3 Drawing Sheets



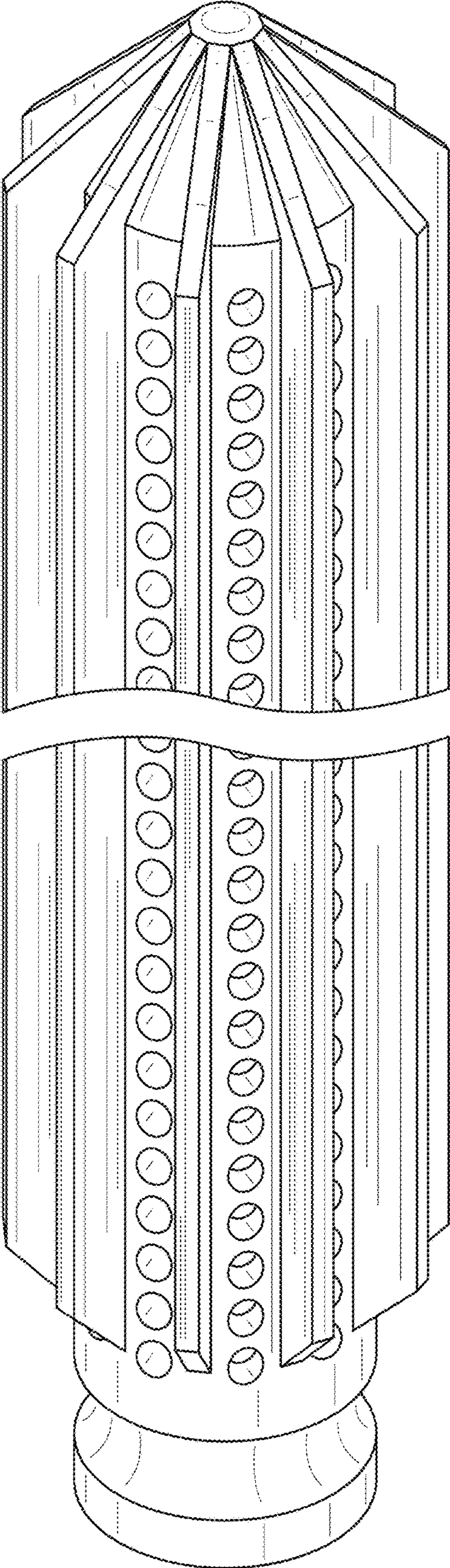


FIG. 1

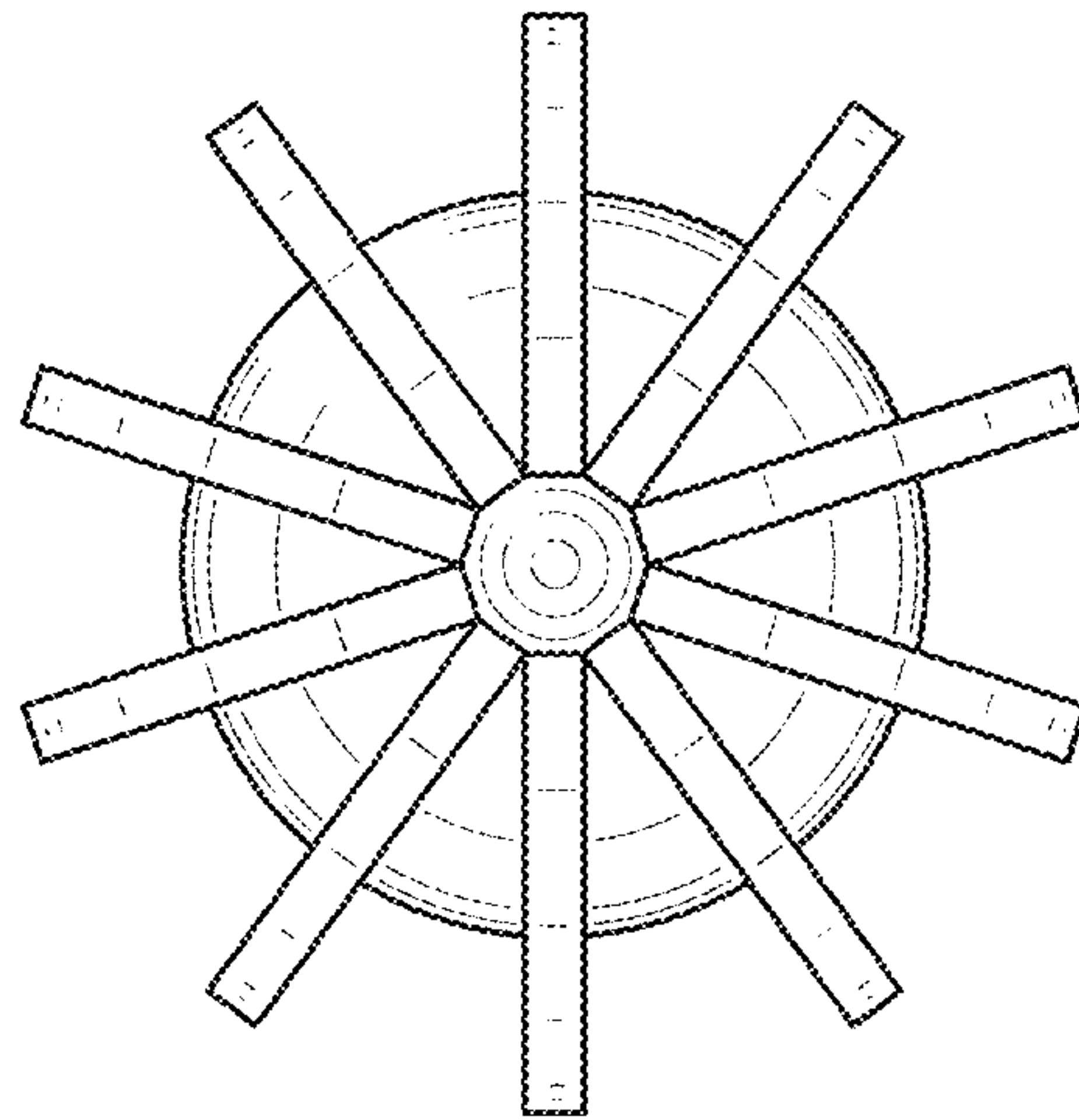


FIG. 2

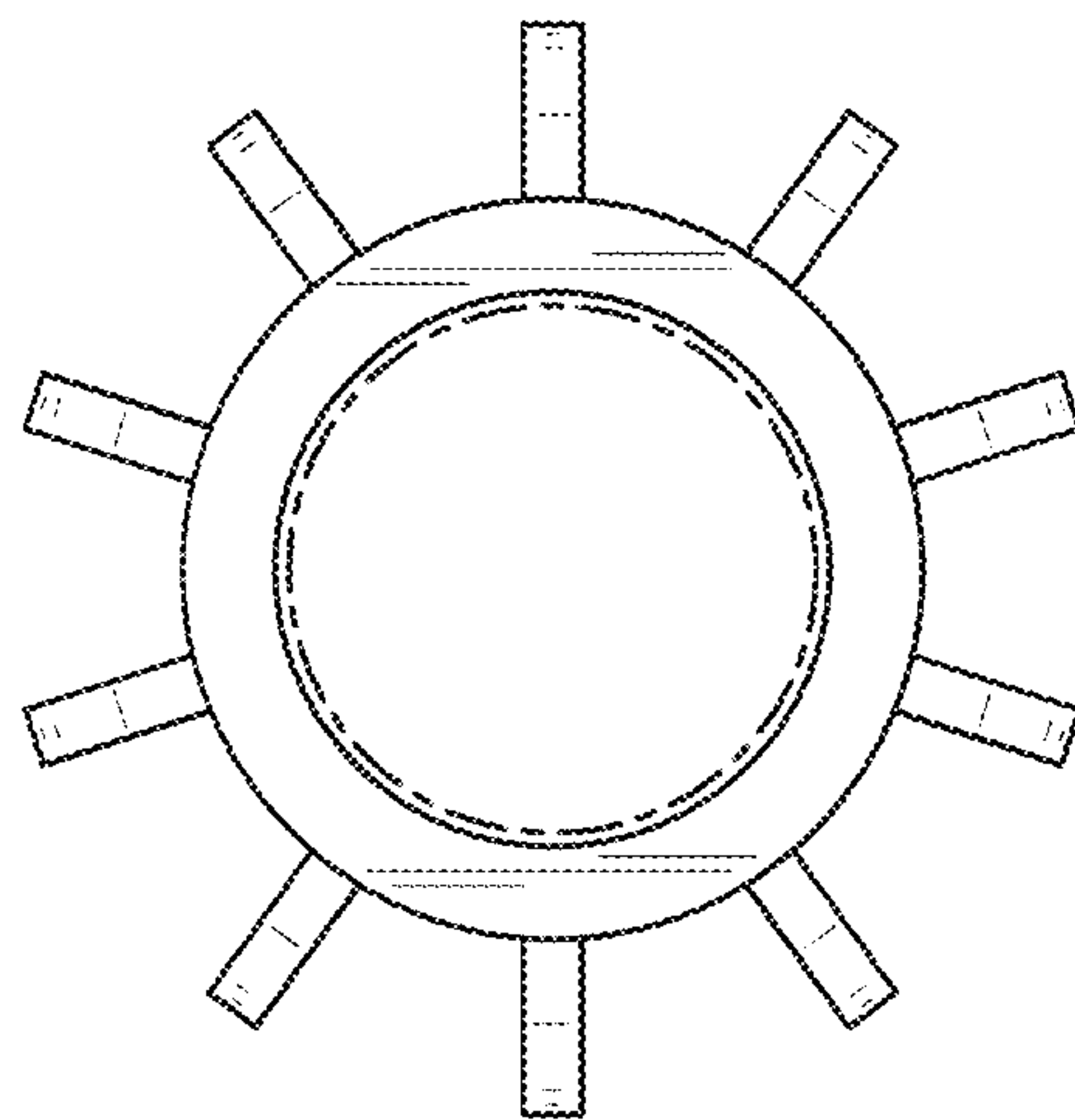


FIG. 3

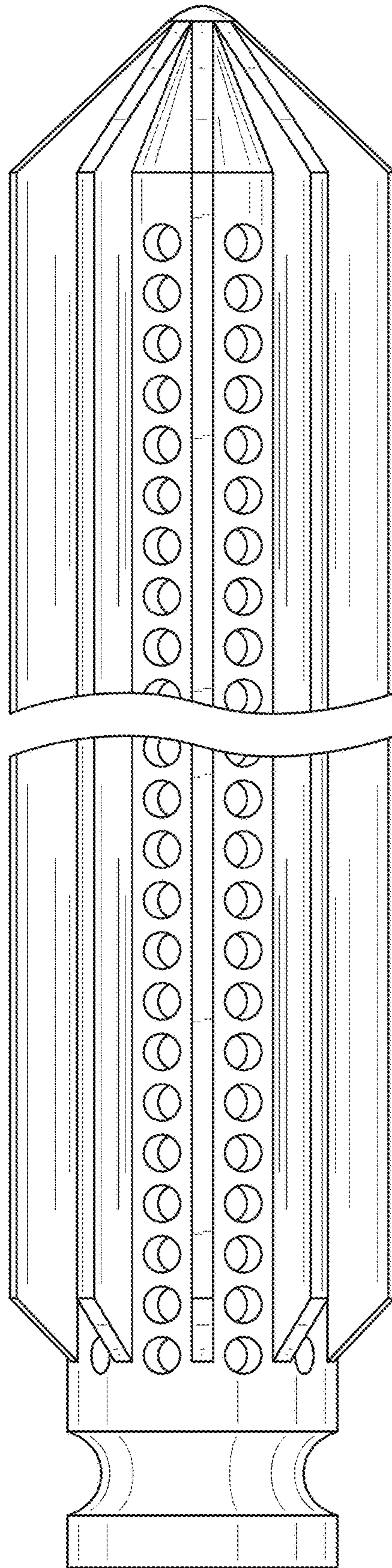


FIG. 4

UNITED STATES PATENT AND TRADEMARK OFFICE
CERTIFICATE OF CORRECTION

PATENT NO. : D785,142 S
APPLICATION NO. : 29/549353
DATED : April 25, 2017
INVENTOR(S) : Tom Monaghan

Page 1 of 1

It is certified that error appears in the above-identified patent and that said Letters Patent is hereby corrected as shown below:

On the Title Page

In the Assignee item (73), replace S&P INDUSTRIAL PTY LTD,
Bathurst (AU); with -- JETS INNOVATIONS PTY LTD, Bathurst (AU) --

Signed and Sealed this
Eighteenth Day of September, 2018



Andrei Iancu
Director of the United States Patent and Trademark Office