



US00D785140S

(12) **United States Design Patent** (10) **Patent No.:** **US D785,140 S**
Gross (45) **Date of Patent:** **** Apr. 25, 2017**

(54) **PLUMBING NUT**
(71) Applicant: **World and Main (Cranbury), LLC**,
Cranbury, NJ (US)
(72) Inventor: **Gordon Gross**, Plymouth Meeting, PA
(US)
(73) Assignee: **World and Main (Cranbury), LLC**,
Cranbury, NJ (US)
(**) Term: **15 Years**

D320,841 S * 10/1991 Breadmont D23/262
D479,585 S 9/2003 Mulligan
D494,056 S 8/2004 Clendenning
D553,716 S * 10/2007 Lockard D23/259
D558,306 S * 12/2007 McCluskey D23/264
D594,937 S * 6/2009 Price D23/259
D596,272 S * 7/2009 Price D23/259
D599,445 S * 9/2009 Price D23/262
D600,546 S 9/2009 Scilingo
D669,558 S * 10/2012 Collin D23/262
D673,244 S * 12/2012 Magargal D23/260
D702,543 S 4/2014 Bell
D715,902 S 10/2014 Malaker
D717,408 S 11/2014 Malaker
9,458,610 B2 * 10/2016 Malaker E03C 1/021

(21) Appl. No.: **29/560,321**
(22) Filed: **Apr. 5, 2016**
(51) **LOC (10) Cl.** **23-01**
(52) **U.S. Cl.**
USPC **D23/259**
(58) **Field of Classification Search**
USPC D23/259-263, 265-269; D8/382, 387,
D8/397-399; 138/109; 285/38, 58, 83,
285/89, 189, 196, 338, 354
CPC F16L 23/00; F16L 27/00; E03C 1/021
See application file for complete search history.

* cited by examiner

Primary Examiner — Eric Goodman
Assistant Examiner — Amy Wierenga
(74) *Attorney, Agent, or Firm* — Lucas & Mercanti, LLP

(56) **References Cited**

U.S. PATENT DOCUMENTS

D44,178 S * 6/1913 McMurtrie D23/262
D128,314 S * 7/1941 Kelly D23/262
D262,940 S * 2/1982 Spinner D8/397
D263,163 S * 2/1982 Olde D23/262
D273,561 S * 4/1984 Ozaki D8/397
D277,454 S * 2/1985 Meinhardt D13/154
D296,579 S * 7/1988 Hattori D23/262

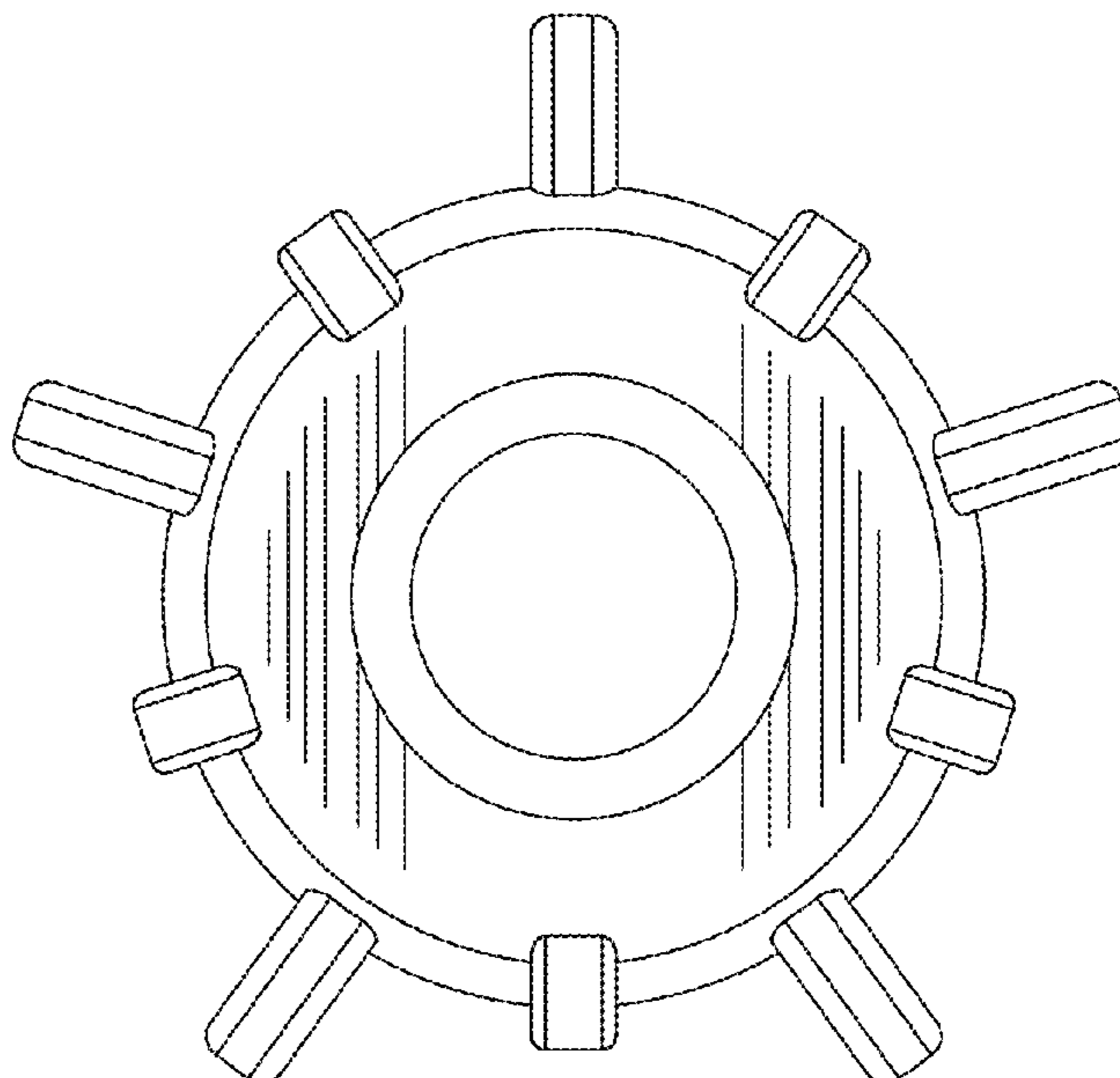
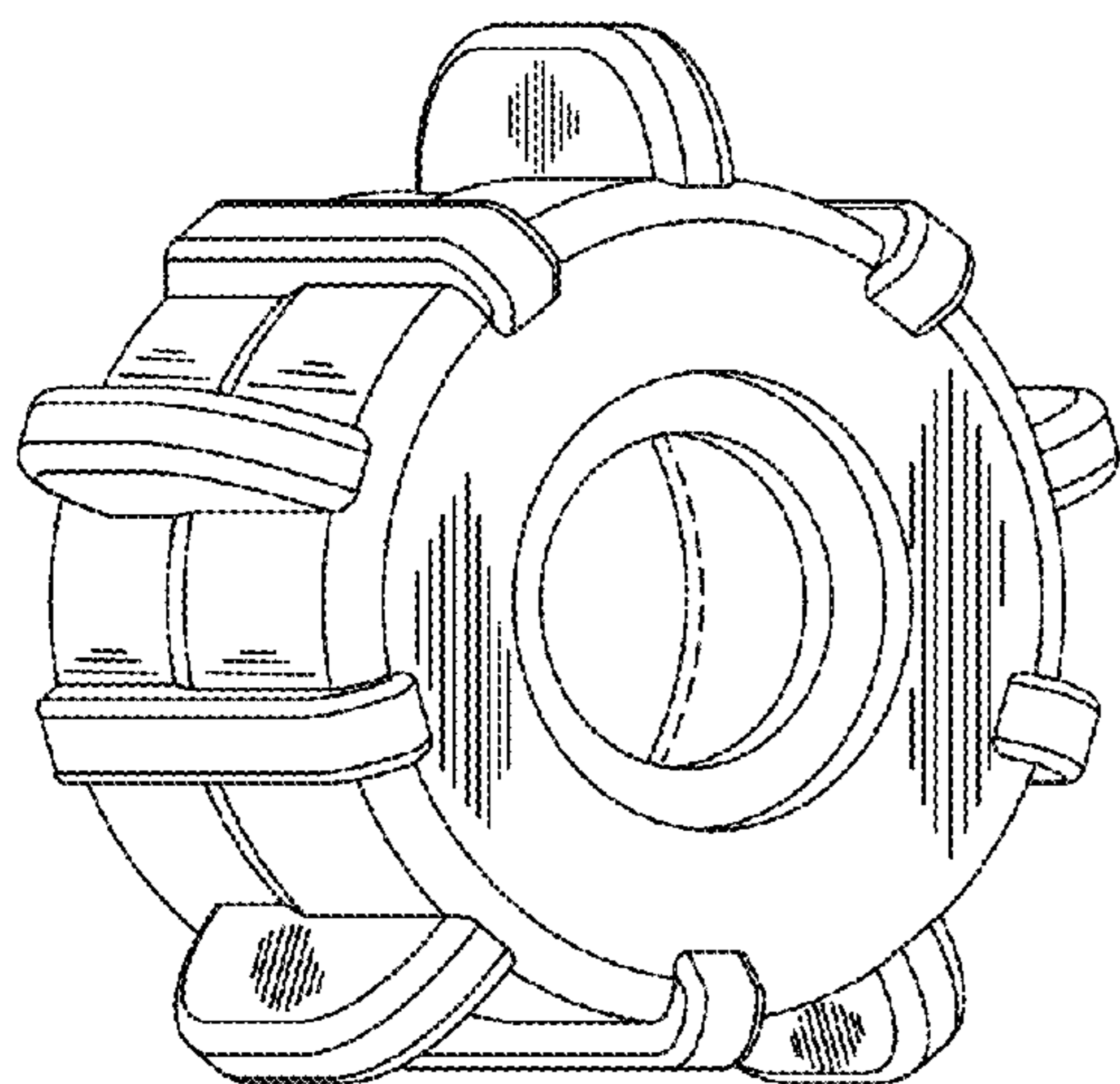
(57) **CLAIM**

The ornamental design for a plumbing nut, as shown and described.

DESCRIPTION

FIG. 1 is a first perspective view of the plumbing nut according to the present invention;
FIG. 2 is a second perspective view thereof;
FIG. 3 is a first side view thereof;
FIG. 4 is a second side view thereof;
FIG. 5 is a bottom view thereof; and,
FIG. 6 is a top view thereof.
The broken lines depict portions of the plumbing nut that form no part of the claim.

1 Claim, 3 Drawing Sheets



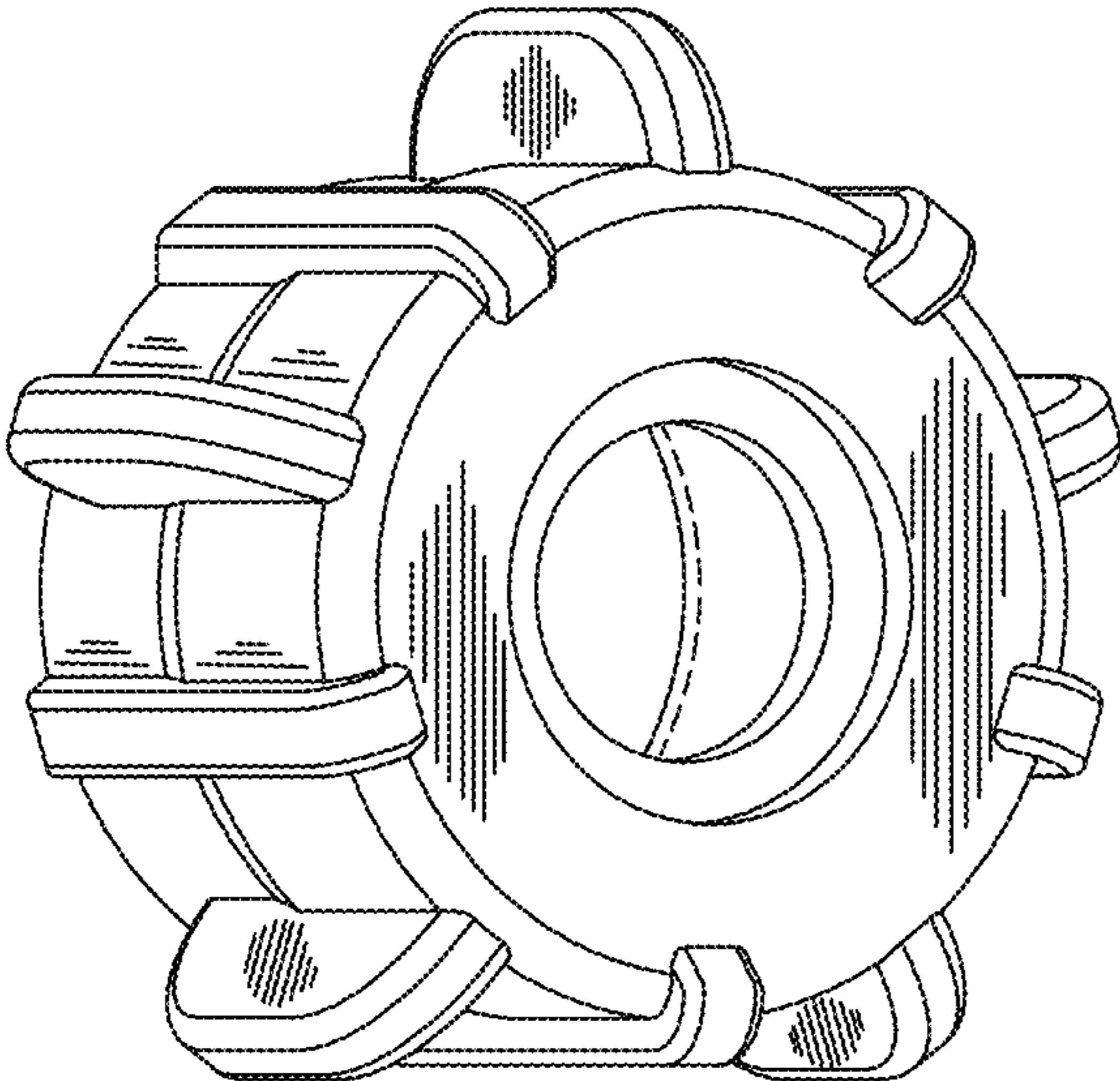


FIG 1

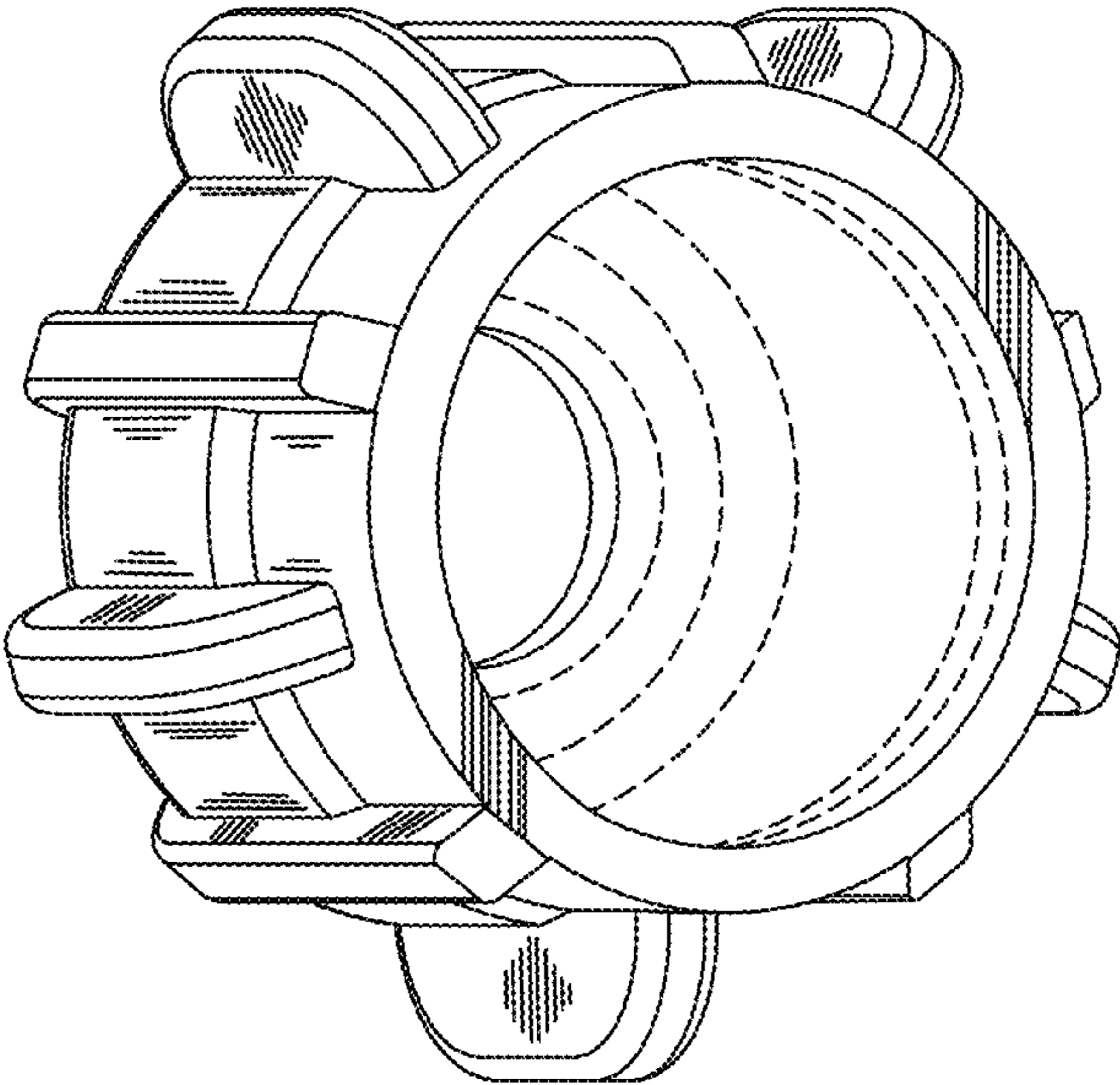


FIG 2

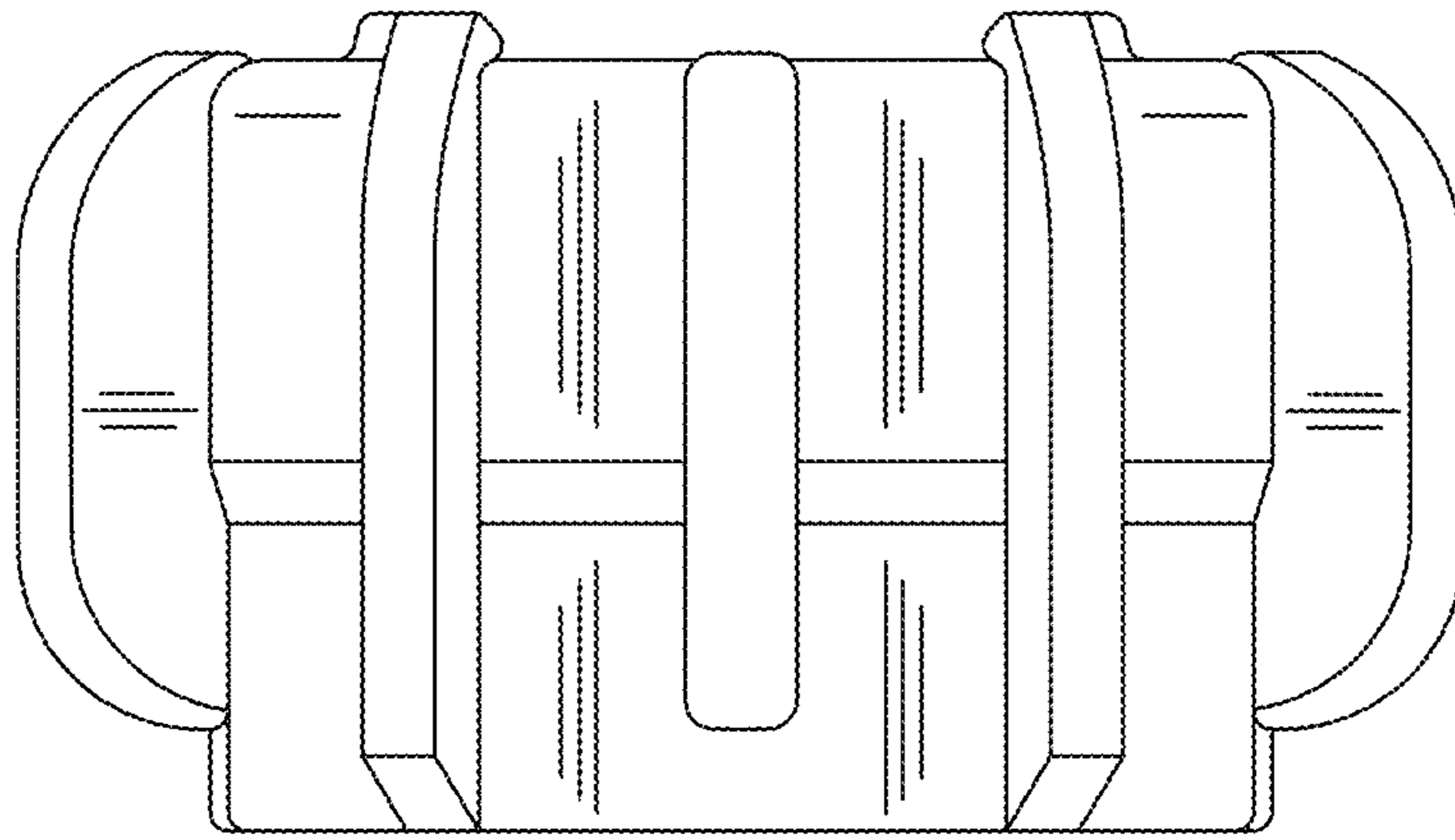


FIG 3

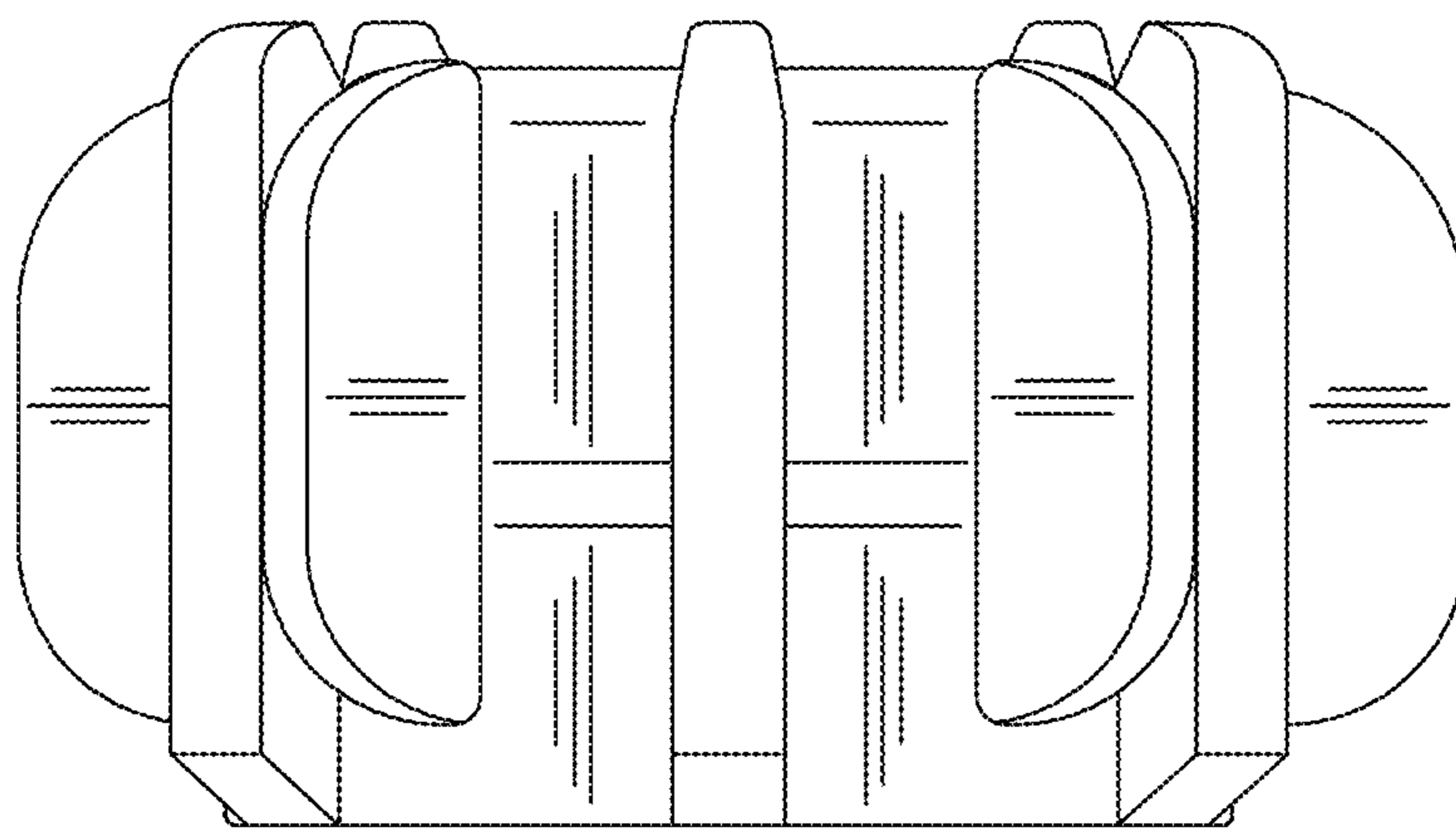


FIG 4

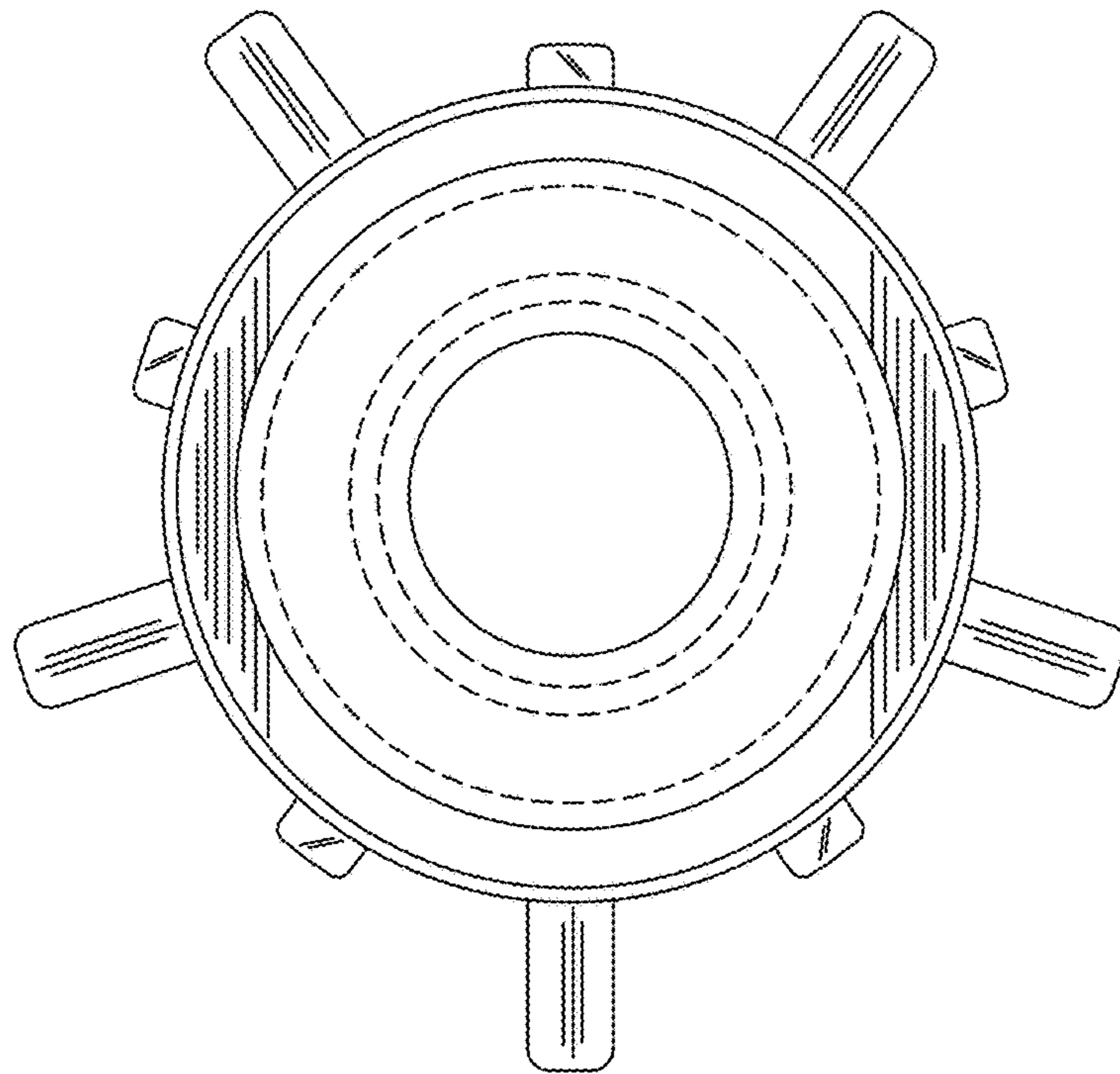


FIG 5

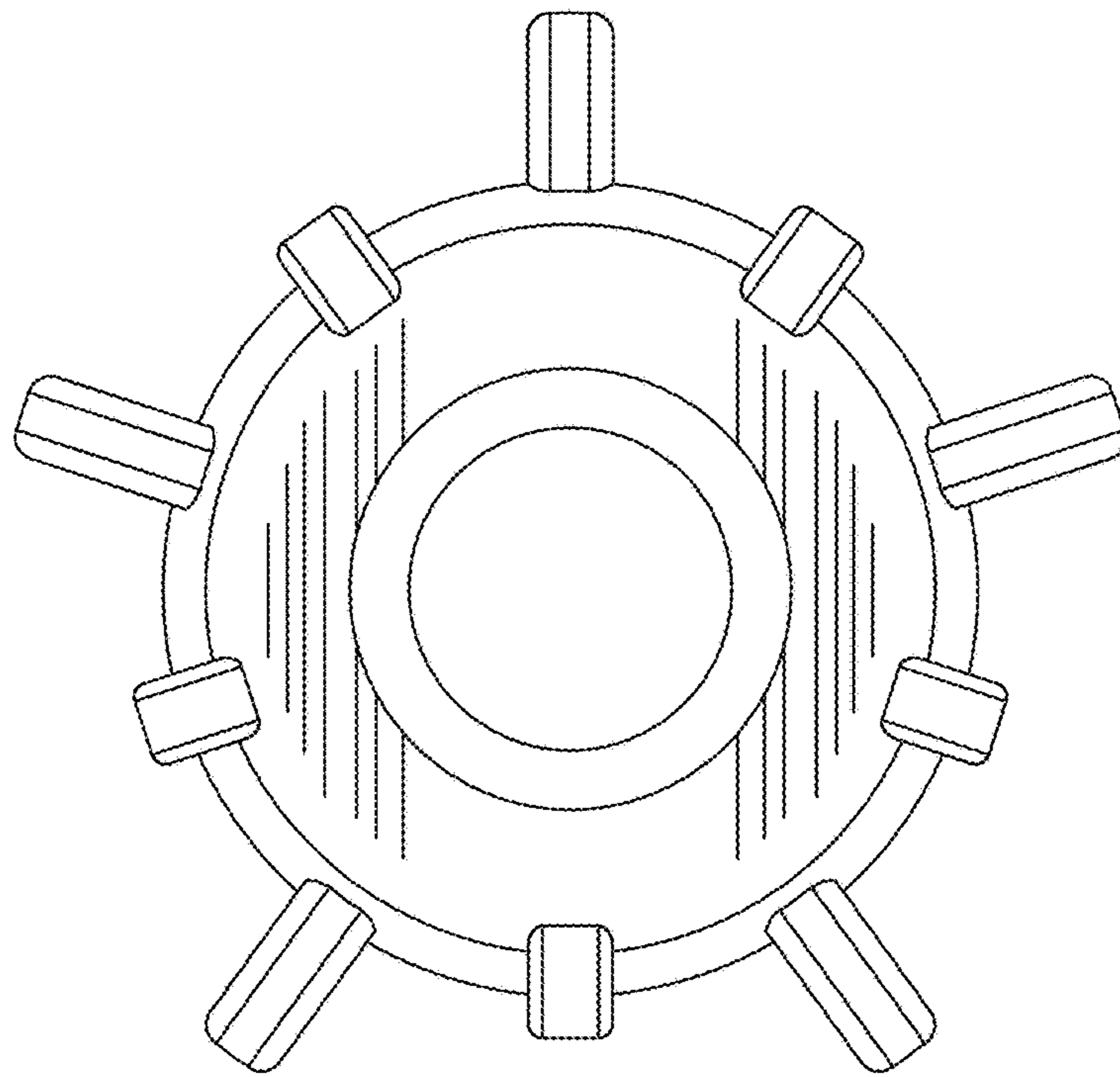


FIG 6