



US00D785139S

(12) **United States Design Patent**  
**Gansler**

(10) **Patent No.:** **US D785,139 S**

(45) **Date of Patent:** **\*\* Apr. 25, 2017**

- (54) **PIPE-PUSHING APPARATUS**
- (71) Applicant: **BUCKHURST GROUP LIMITED**,  
Bolton (GB)
- (72) Inventor: **Lee Gansler**, Lancashire (GB)
- (73) Assignee: **BUCKHURST GROUP LIMITED**,  
Bolton (GB)
- (\*\*) Term: **14 Years**
- (21) Appl. No.: **29/521,044**
- (22) Filed: **Mar. 19, 2015**
- (51) **LOC (10) Cl.** ..... **23-01**
- (52) **U.S. Cl.**  
USPC ..... **D23/259**
- (58) **Field of Classification Search**  
USPC ..... D23/259-262, 265, 266, 233; D15/28,  
D15/32, 123, 140; D24/128, 129;  
D8/383, 394, 396  
CPC . F16L 3/233; F16L 33/04; F16L 33/08; F16L  
37/002; F16L 21/065; A47K 5/05; A01K  
63/065; A47F 5/0006; E21B 7/025  
See application file for complete search history.

D257,837 S *	1/1981	Pierce	.....	D12/162
D344,961 S *	3/1994	Kallen	.....	D15/32
D443,343 S *	6/2001	Chien	.....	D23/265
D620,346 S *	7/2010	Gretz	.....	D8/396
D620,555 S *	7/2010	Chuang	.....	D23/233
D721,950 S *	2/2015	Quinlan	.....	D8/396
D726,876 S *	4/2015	Trent	.....	D23/233
D726,877 S *	4/2015	Trent	.....	D23/233
2010/0086361 A1 *	4/2010	Harrison	.....	B66C 1/42 405/184

\* cited by examiner

*Primary Examiner* — John Windmuller

*Assistant Examiner* — Steven Czyz

(74) *Attorney, Agent, or Firm* — Egbert Law Offices,  
PLLC

(57) **CLAIM**

The ornamental design for a pipe-pushing apparatus, as shown and described.

**DESCRIPTION**

FIG. 1 is a perspective view of a pipe-pushing apparatus showing my new design.

FIG. 2 is a side view thereof;

FIG. 3 is an opposite view thereof;

FIG. 4 is a front view thereof;

FIG. 5 is a rear view thereof; and,

FIG. 6 is a top plan view thereof.

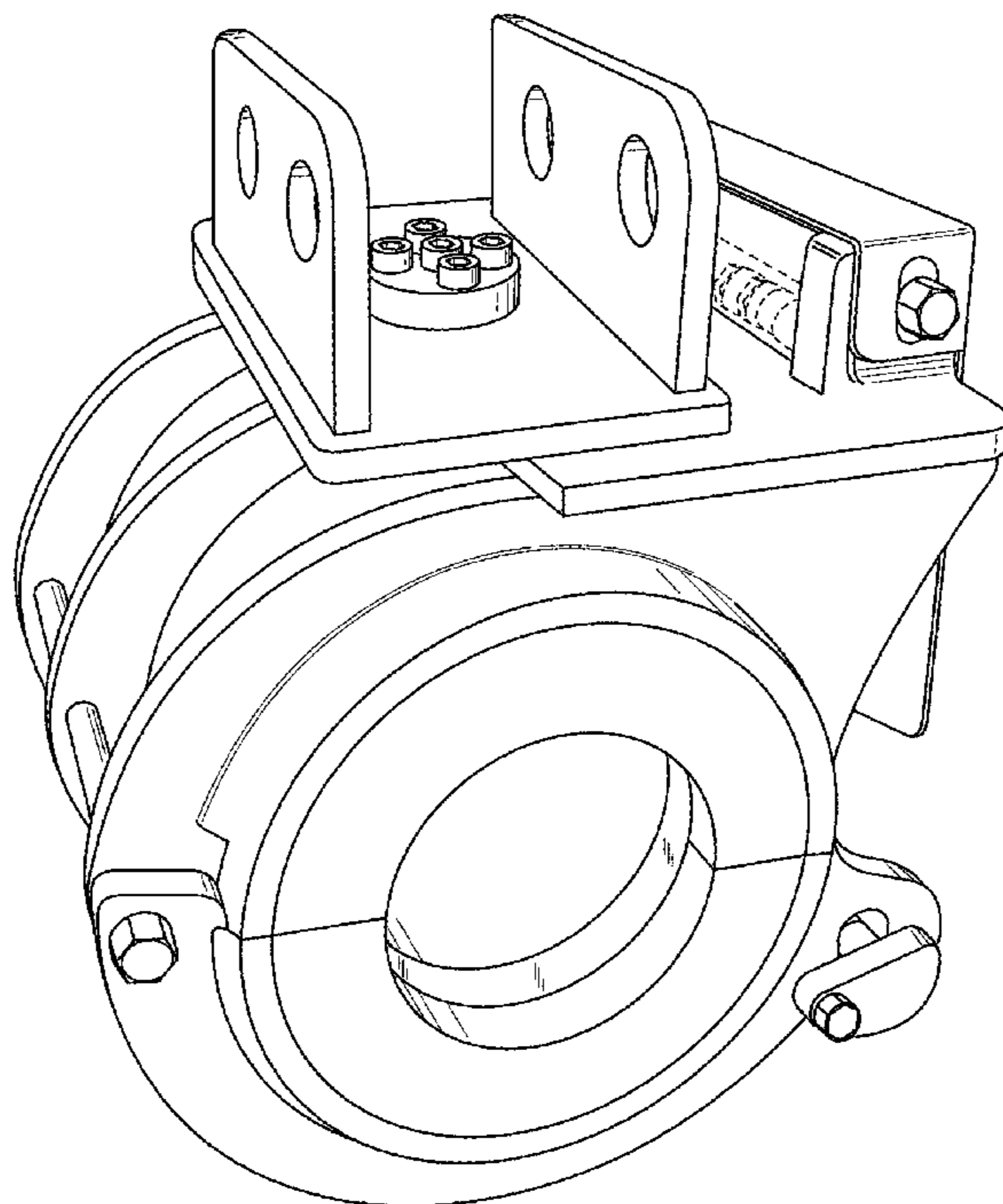
The features shown in broken lines represent unclaimed portions of the pipe-pushing apparatus and form no part of the claimed design.

**1 Claim, 6 Drawing Sheets**

(56) **References Cited**

**U.S. PATENT DOCUMENTS**

D89,584 S *	4/1933	Myers et al.	.....	D23/259
D127,619 S *	6/1941	Hamer et al.	.....	D23/244
D257,323 S *	10/1980	Merry	.....	114/199



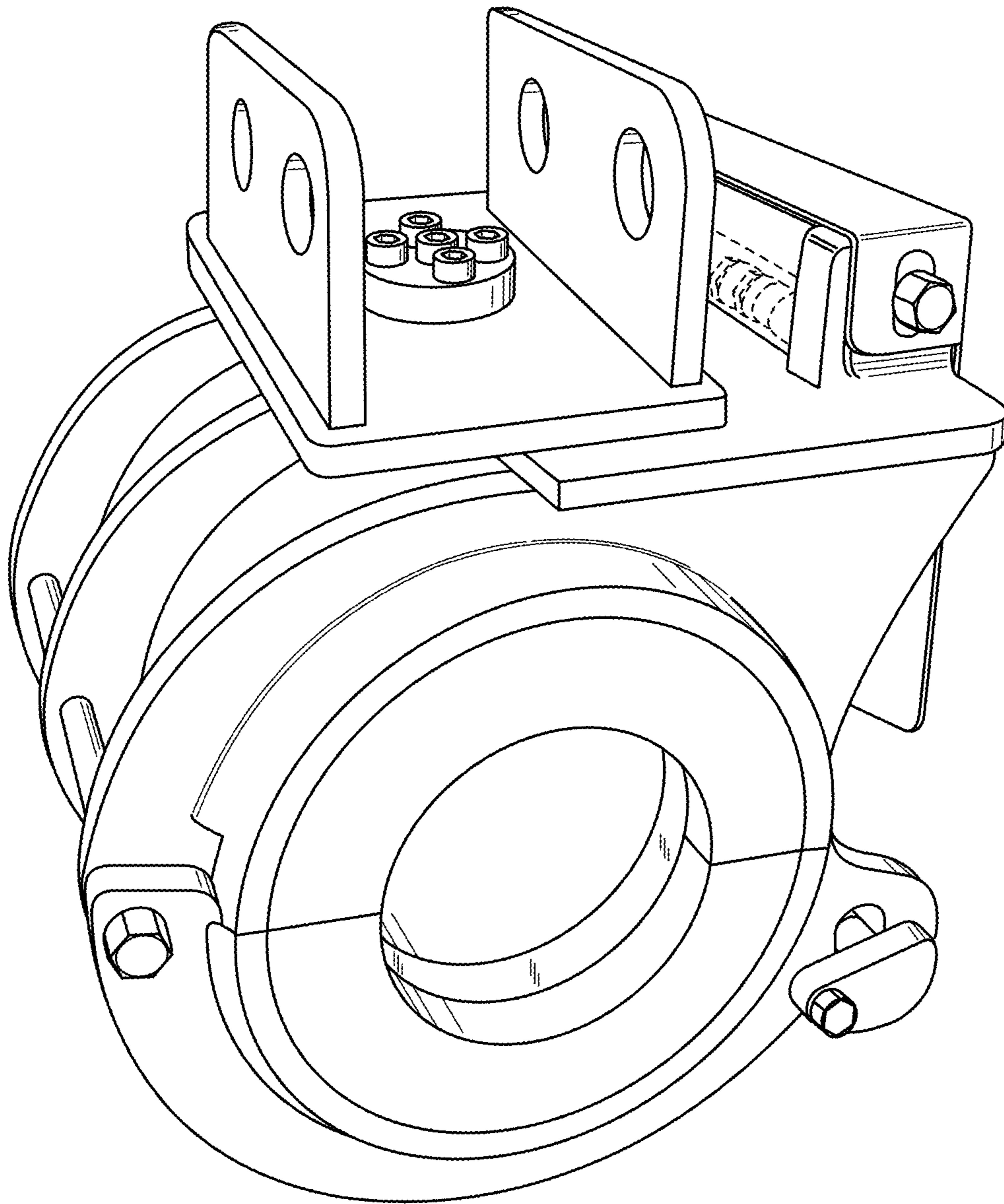


Fig. 1

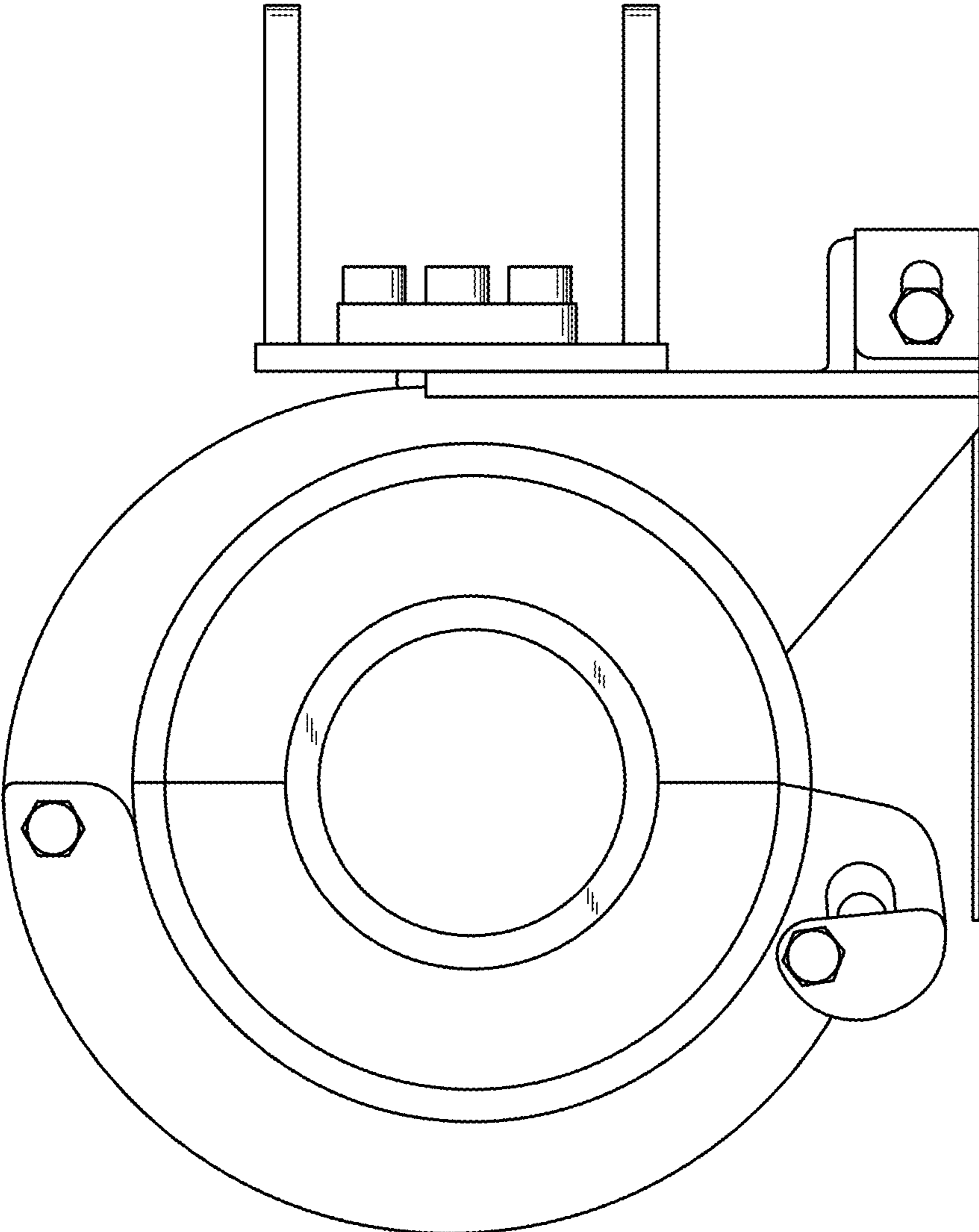


Fig. 2

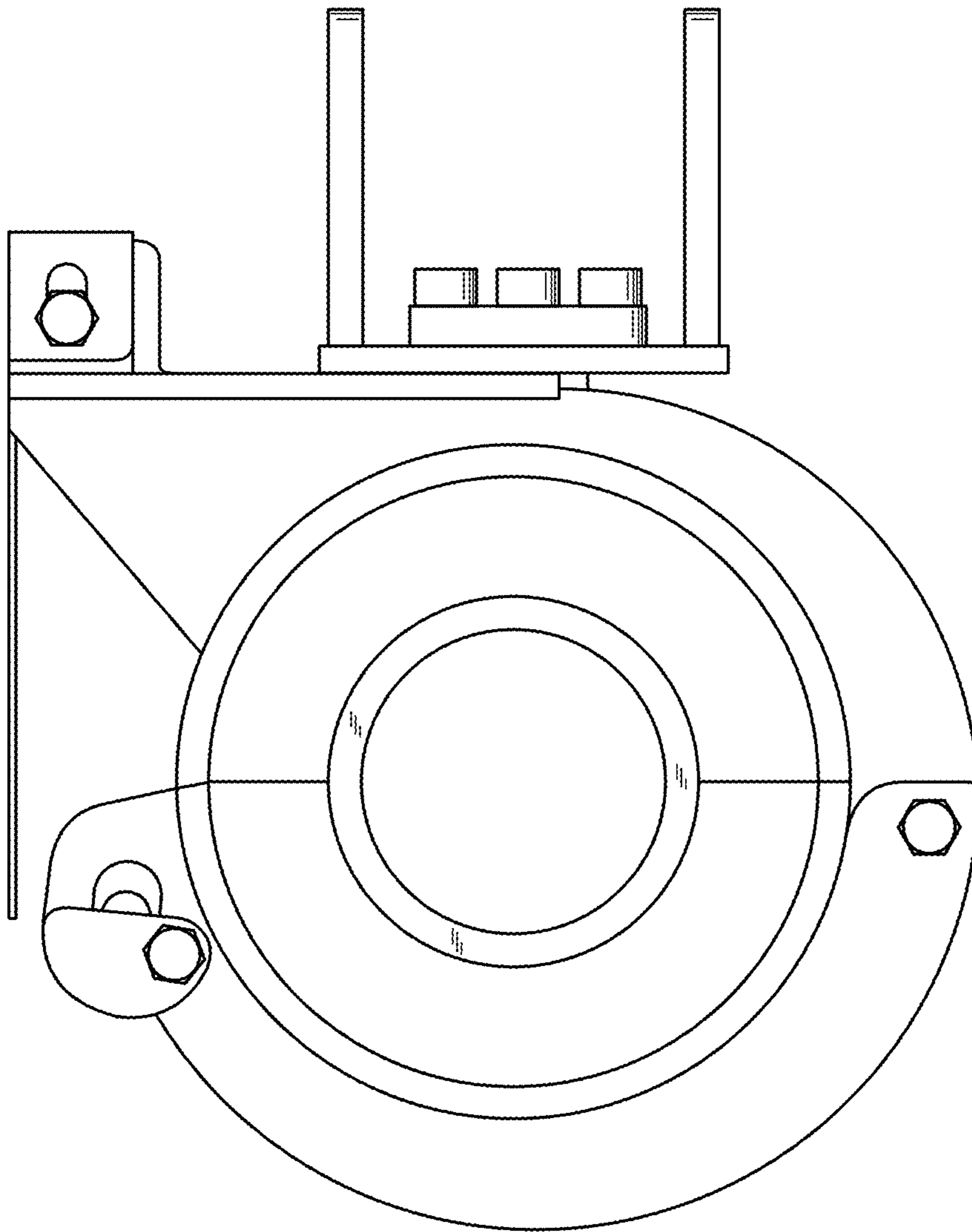


Fig. 3

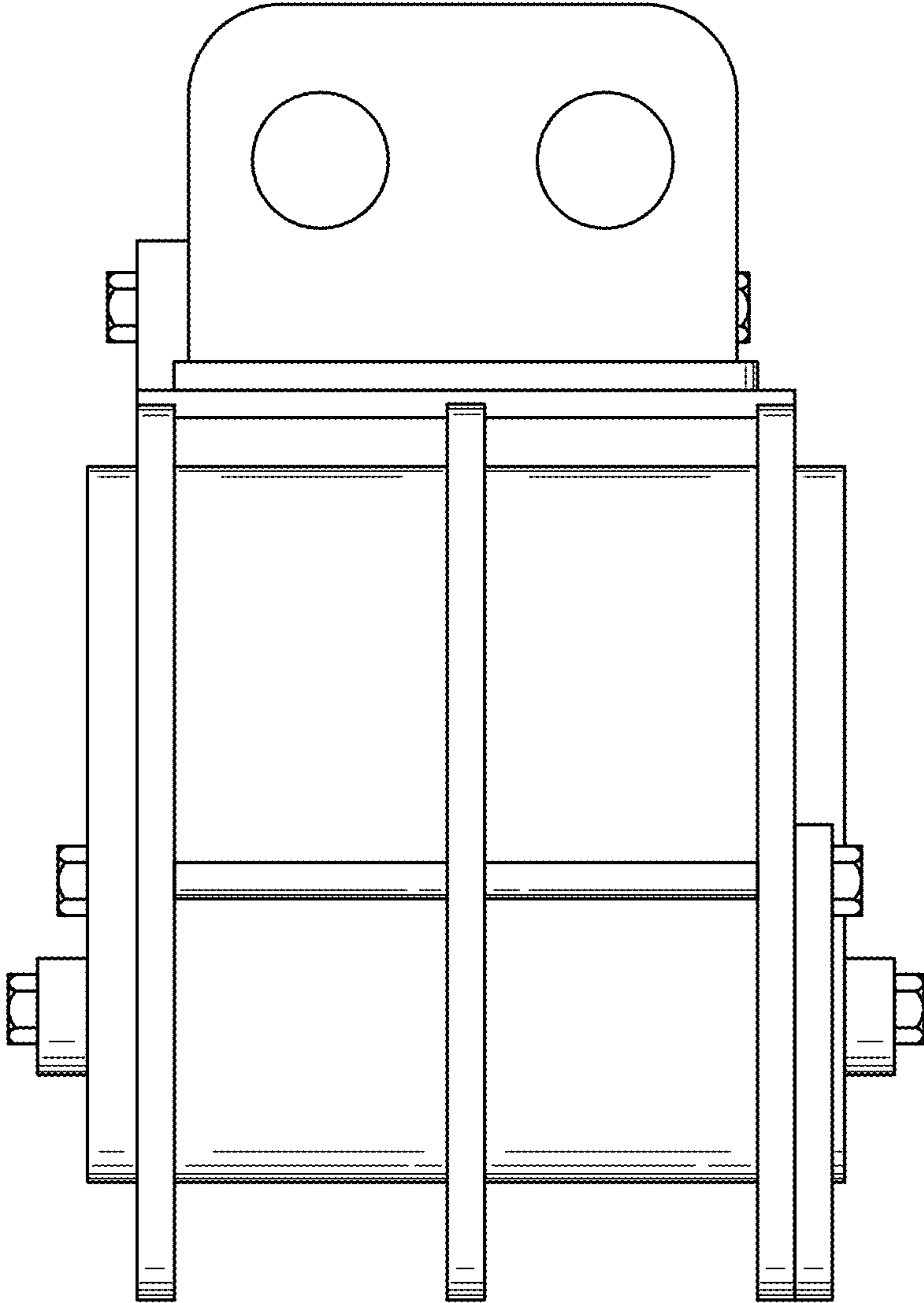


Fig. 4

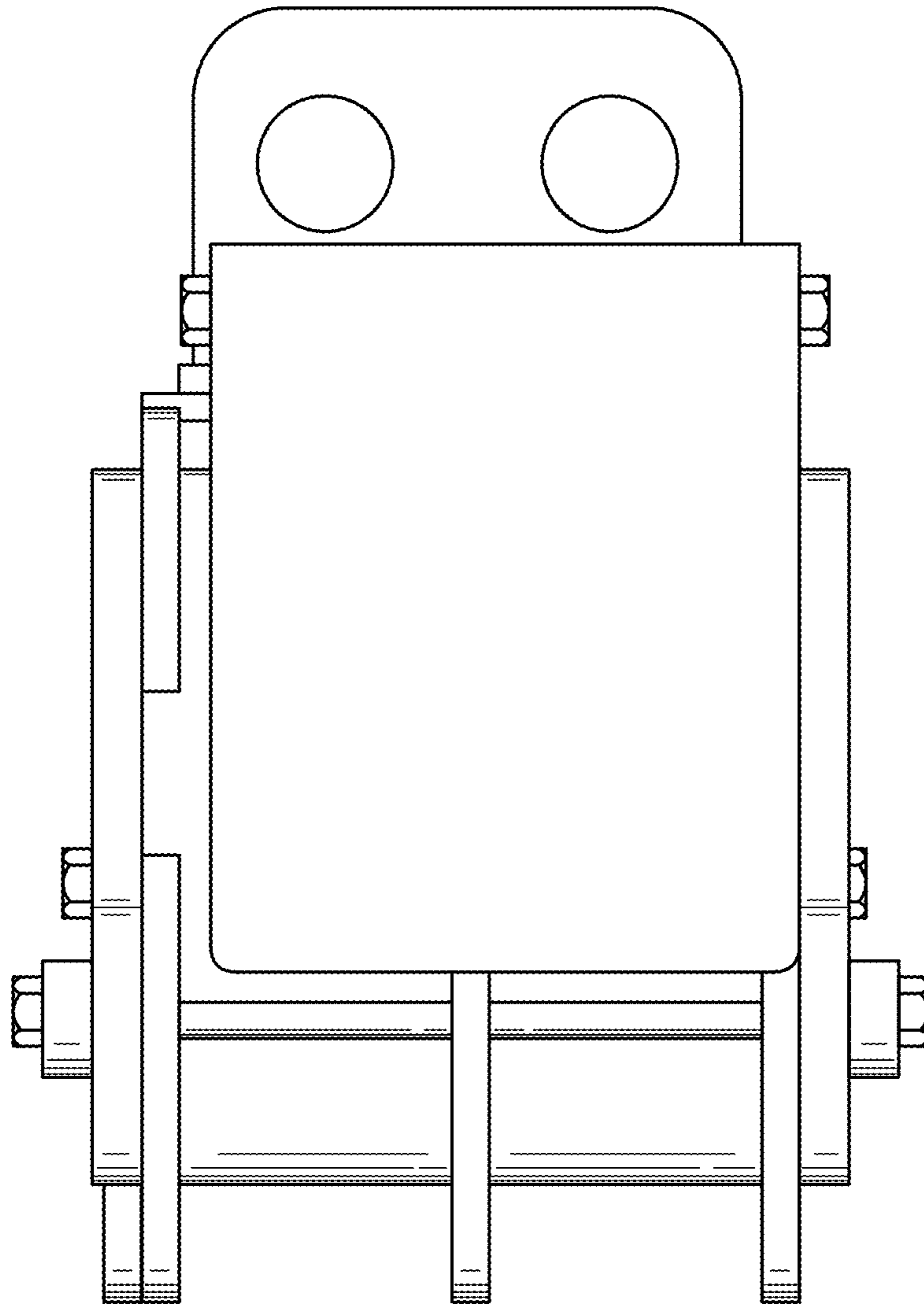


Fig. 5

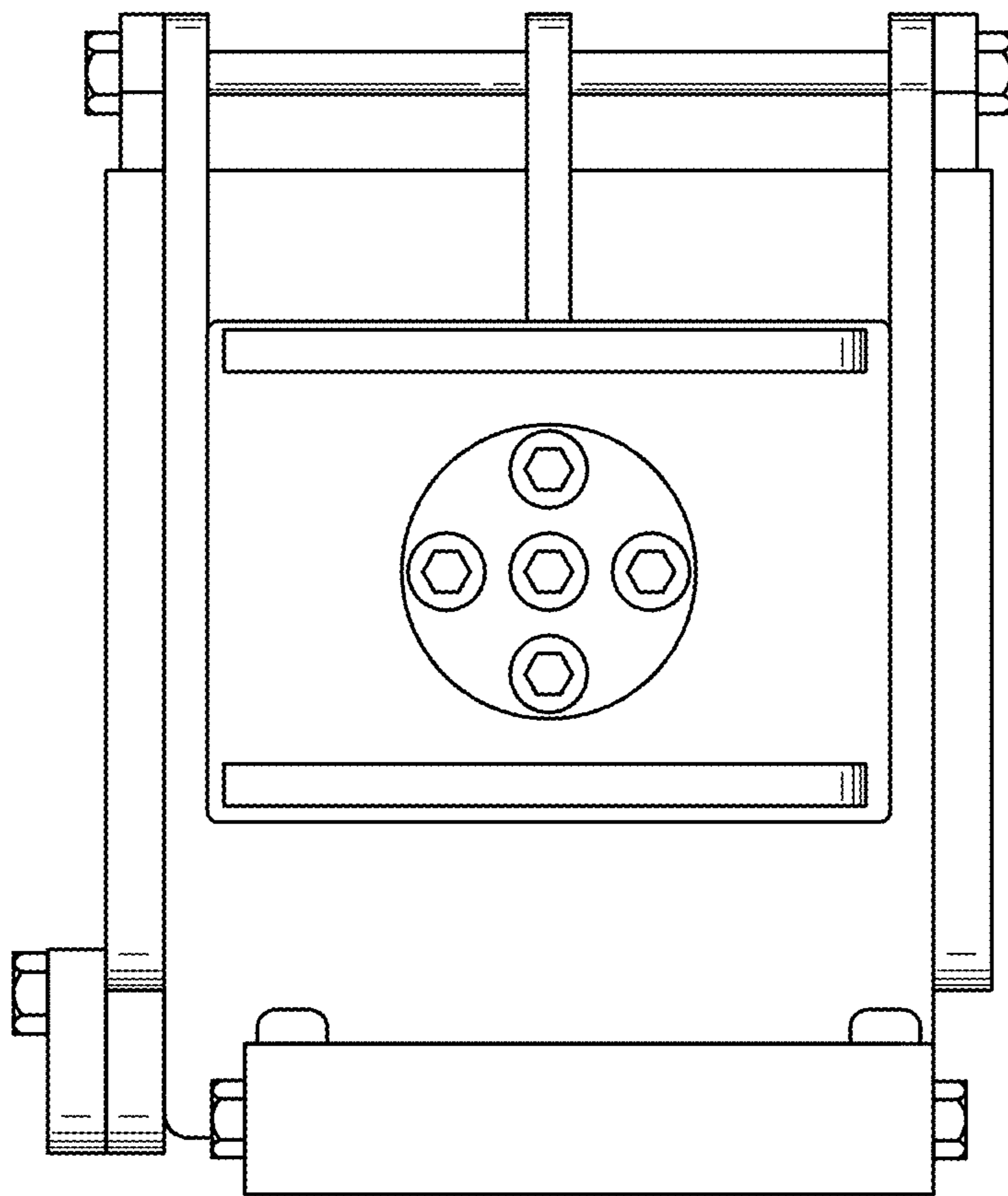


Fig. 6