



US00D785138S

(12) **United States Design Patent**
Ho et al.

(10) **Patent No.:** **US D785,138 S**
(45) **Date of Patent:** **** Apr. 25, 2017**

- (54) **SHOWER HEAD**
- (71) Applicants: **Kao-Jen Ho**, Changhua (TW);
Chao-Lun Ho, Changhua (TW)
- (72) Inventors: **Kao-Jen Ho**, Changhua (TW);
Chao-Lun Ho, Changhua (TW)
- (73) Assignee: **Chyi Liou Enterprise Co., Ltd.**,
Changhua (TW)

D441,052 S *	4/2001	Lu	D23/226
D486,554 S *	2/2004	Nien	D23/226
D503,459 S *	3/2005	Hsu	D23/226
D639,909 S *	6/2011	Pendleton	D23/226
D641,068 S *	7/2011	Pendleton	D23/226

* cited by examiner

Primary Examiner — Robin V Webster

- (**) Term: **15 Years**
- (21) Appl. No.: **29/553,458**

(57) **CLAIM**

The ornamental design for a shower head, as shown and described.

- (22) Filed: **Feb. 2, 2016**
- (51) **LOC (10) Cl.** **23-01**
- (52) **U.S. Cl.**
USPC **D23/226**
- (58) **Field of Classification Search**
USPC D23/213, 223, 226, 229, 230; 239/282,
239/283, 526, 289
CPC B05B 1/00; B05B 1/18; B05B 9/01
See application file for complete search history.

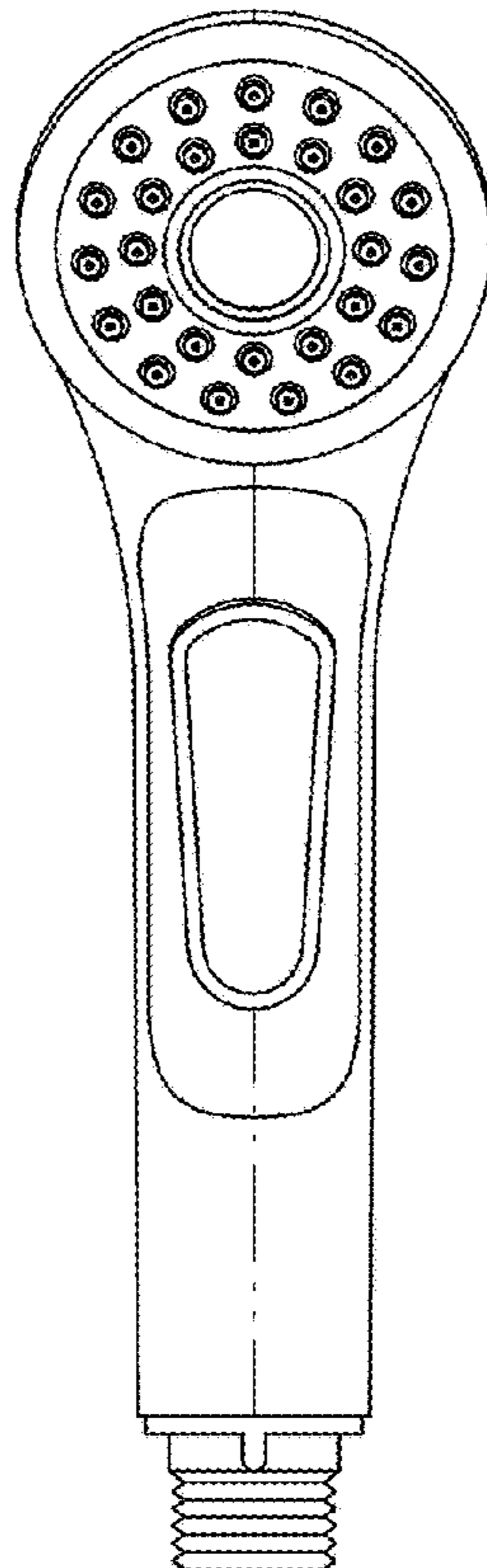
DESCRIPTION

FIG. 1 is a front view of a shower head showing our new design;
 FIG. 2 is a rear view thereof;
 FIG. 3 is a left side view thereof;
 FIG. 4 is a right side view thereof;
 FIG. 5 is a top plan view thereof;
 FIG. 6 is a bottom plan view thereof;
 FIG. 7 is a front perspective view thereof; and,
 FIG. 8 is a rear perspective view thereof.
 The broken lines showing of the shower head in FIGS. 1 to 8 illustrate the environment of the claimed design and form no part thereof.

(56) **References Cited**
U.S. PATENT DOCUMENTS

D337,811 S *	7/1993	Valley	D23/226
D415,822 S *	10/1999	Ouyoung	D23/226

1 Claim, 4 Drawing Sheets



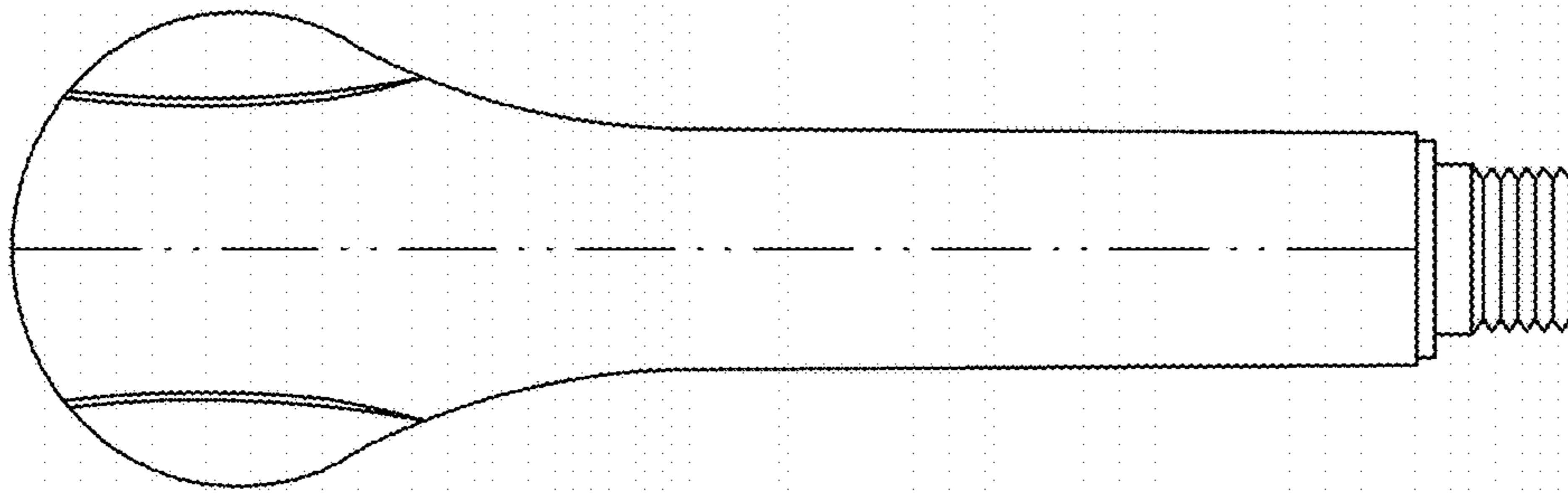


FIG. 2

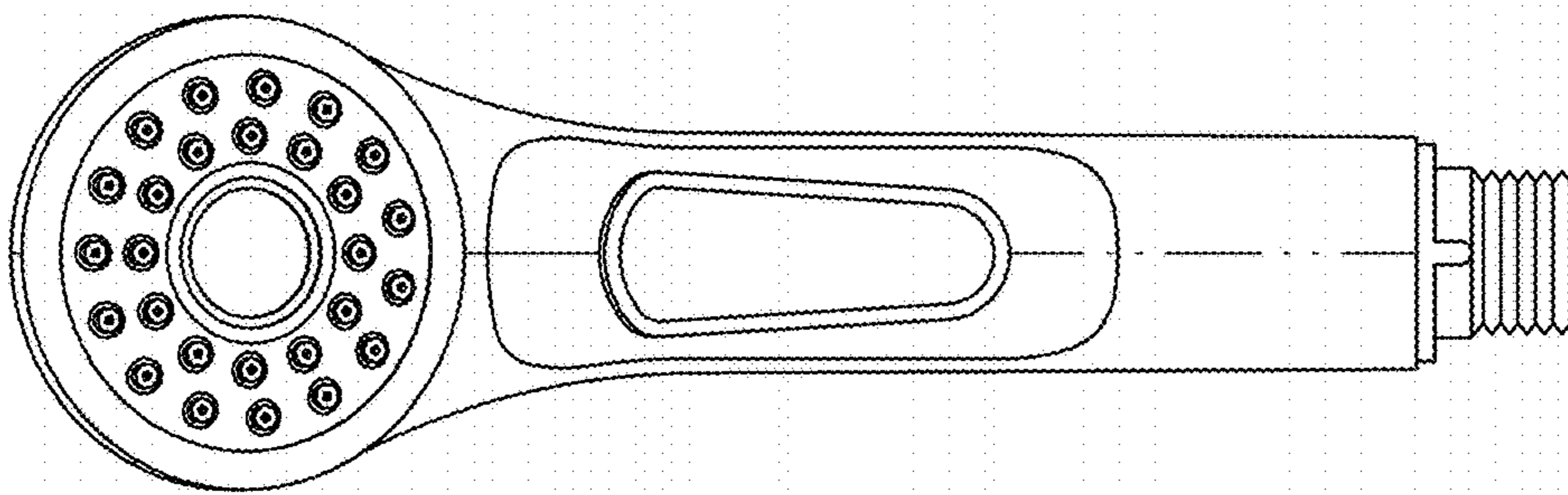


FIG. 1

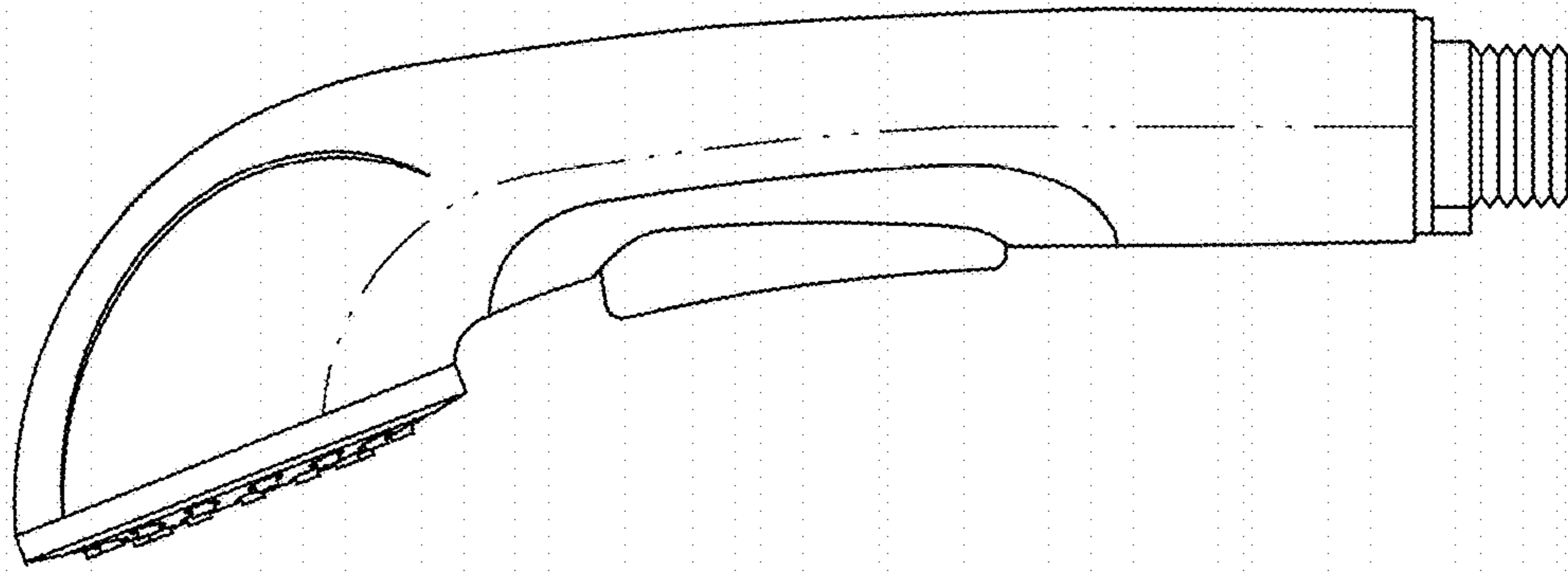


FIG. 4

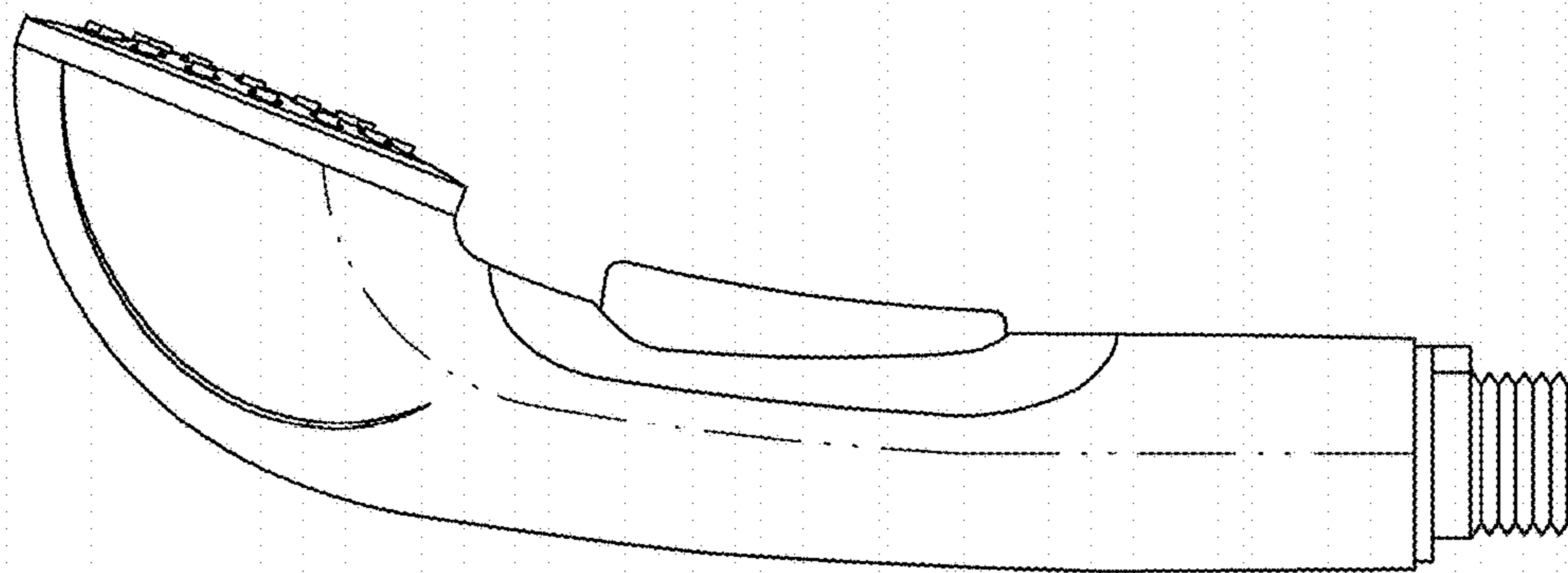


FIG. 3

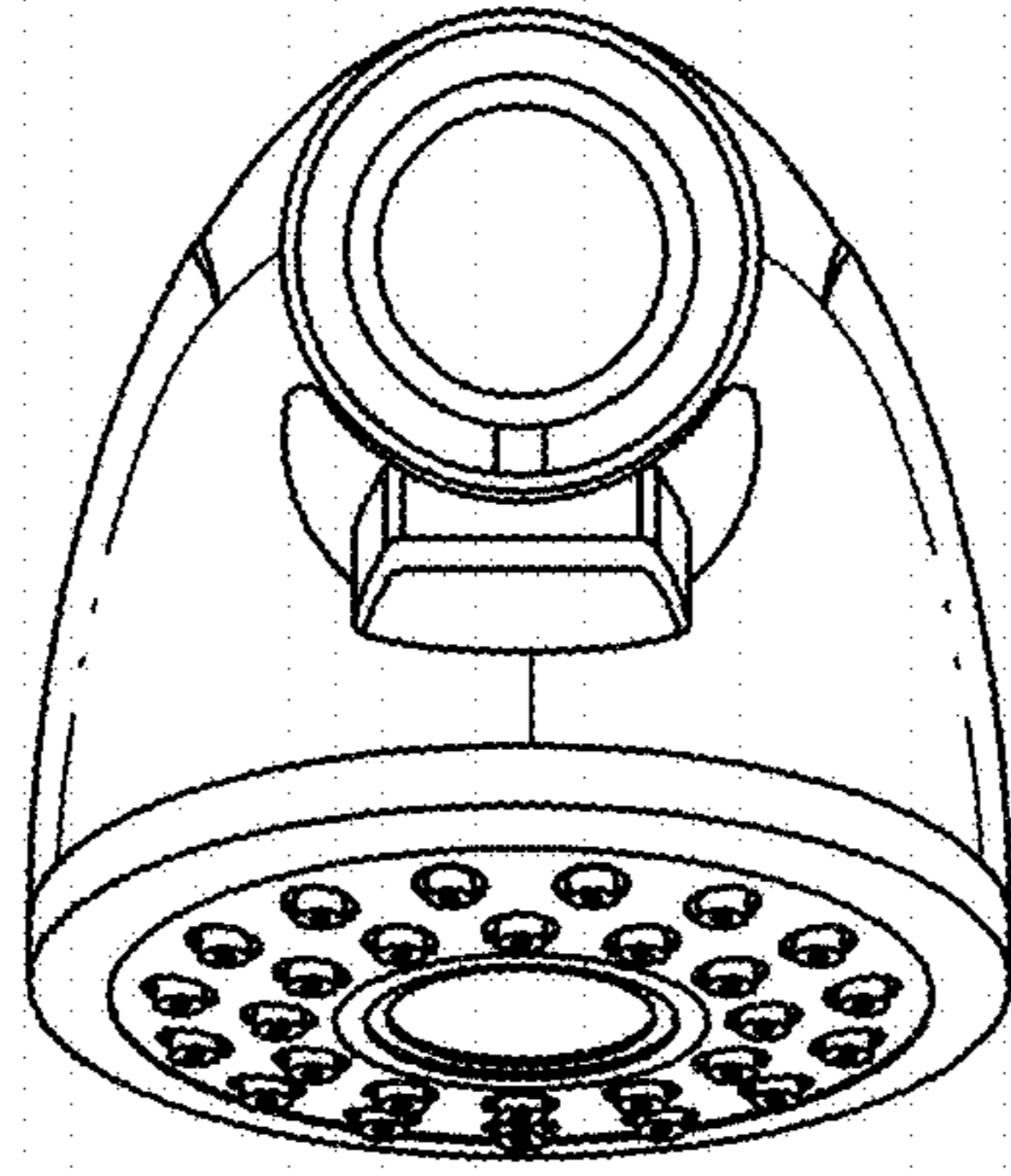


FIG. 6

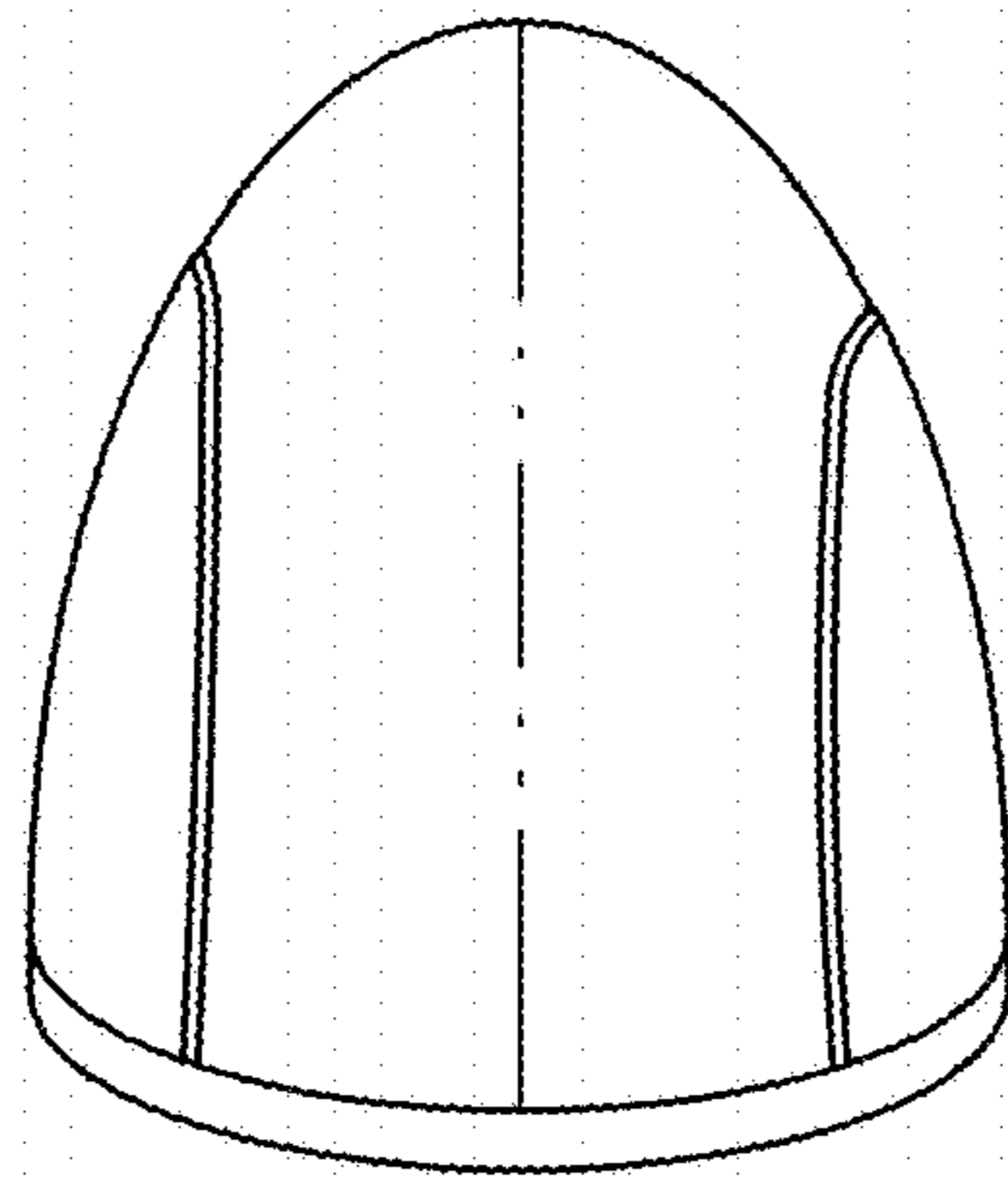


FIG. 5

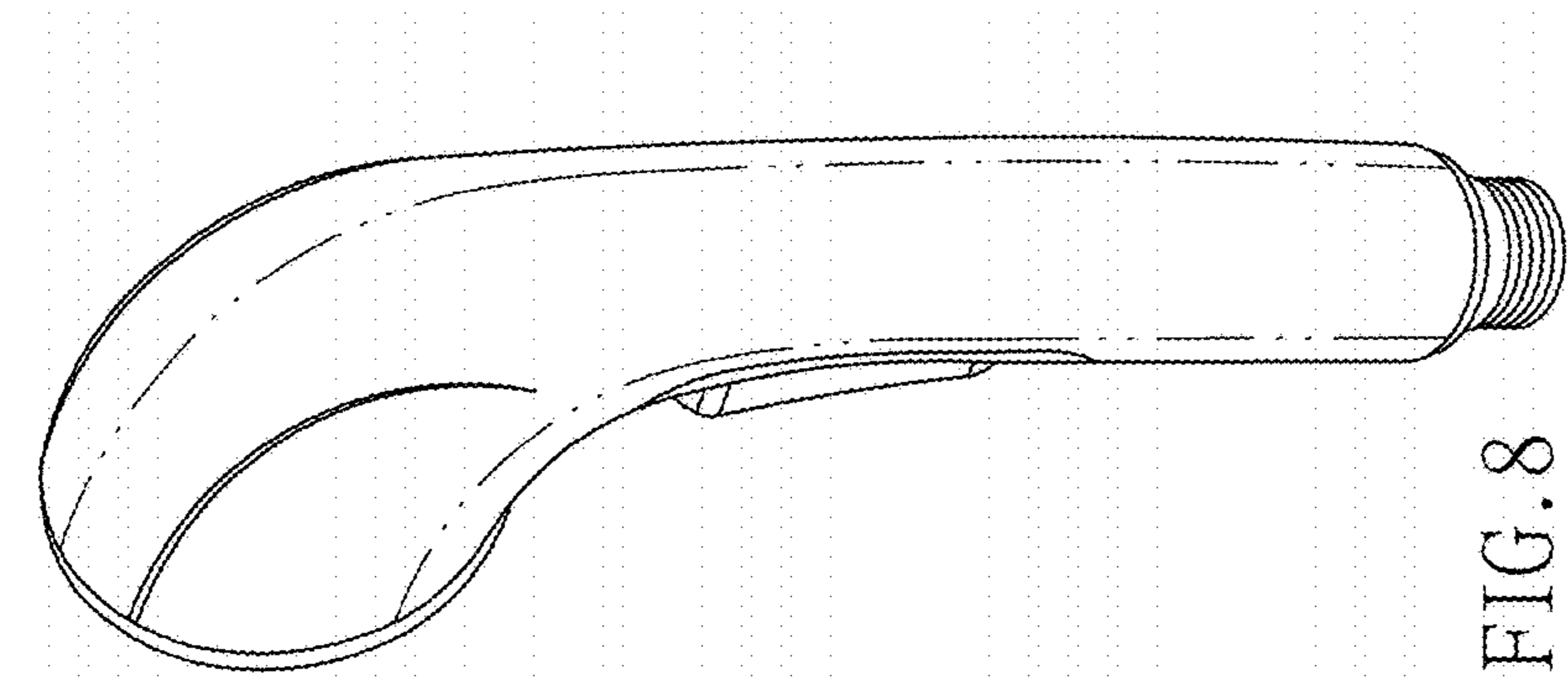


FIG. 7

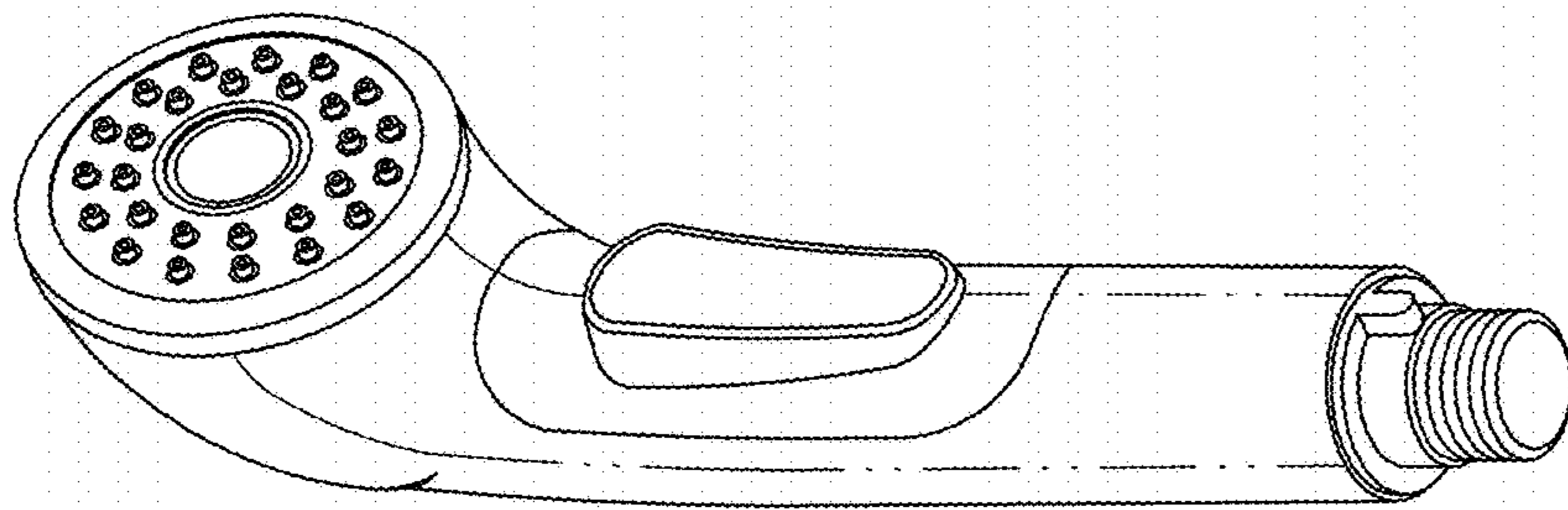


FIG. 8