



US00D785136S

(12) **United States Design Patent**
Finamore

(10) **Patent No.:** **US D785,136 S**
(45) **Date of Patent:** **** Apr. 25, 2017**

- (54) **AIRBRUSH**
- (71) Applicant: **CC International, LLC**, Santa Ana, CA (US)
- (72) Inventor: **Gia Finamore**, Miami Beach, FL (US)
- (73) Assignee: **CC International, LLC**, Santa Ana, CA (US)
- (**) Term: **15 Years**
- (21) Appl. No.: **29/552,162**
- (22) Filed: **Jan. 20, 2016**
- (51) **LOC (10) Cl.** **23-01**
- (52) **U.S. Cl.**
USPC **D23/223**
- (58) **Field of Classification Search**
USPC D23/223, 226, 213, 225; D19/108;
239/290, 291, 526
CPC B05B 1/005
See application file for complete search history.

D538,884 S *	3/2007	Fontaine	D23/223
D613,820 S *	4/2010	Chou	D23/223
D642,239 S *	7/2011	Liao	D23/213
D725,740 S *	3/2015	Sanwald	D23/223
D764,024 S *	8/2016	Cleroux	D23/225
2008/0257988 A1 *	10/2008	Hahn	B05B 9/0426 239/525
2009/0266916 A1 *	10/2009	Fedorov	B05B 1/3013 239/308
2012/0006431 A1 *	1/2012	Gilpatrick	A01G 25/145 137/565.01
2012/0032004 A1 *	2/2012	Dejong	B05B 11/3011 239/526
2016/0058262 A1 *	3/2016	Charlton	B05B 9/01 401/138

* cited by examiner

Primary Examiner — Robin V Webster
Assistant Examiner — Rachel Voorhies
(74) *Attorney, Agent, or Firm* — Economou Silfin LLP

(57) **CLAIM**

The ornamental design for an airbrush, as shown and described.

(56) **References Cited**

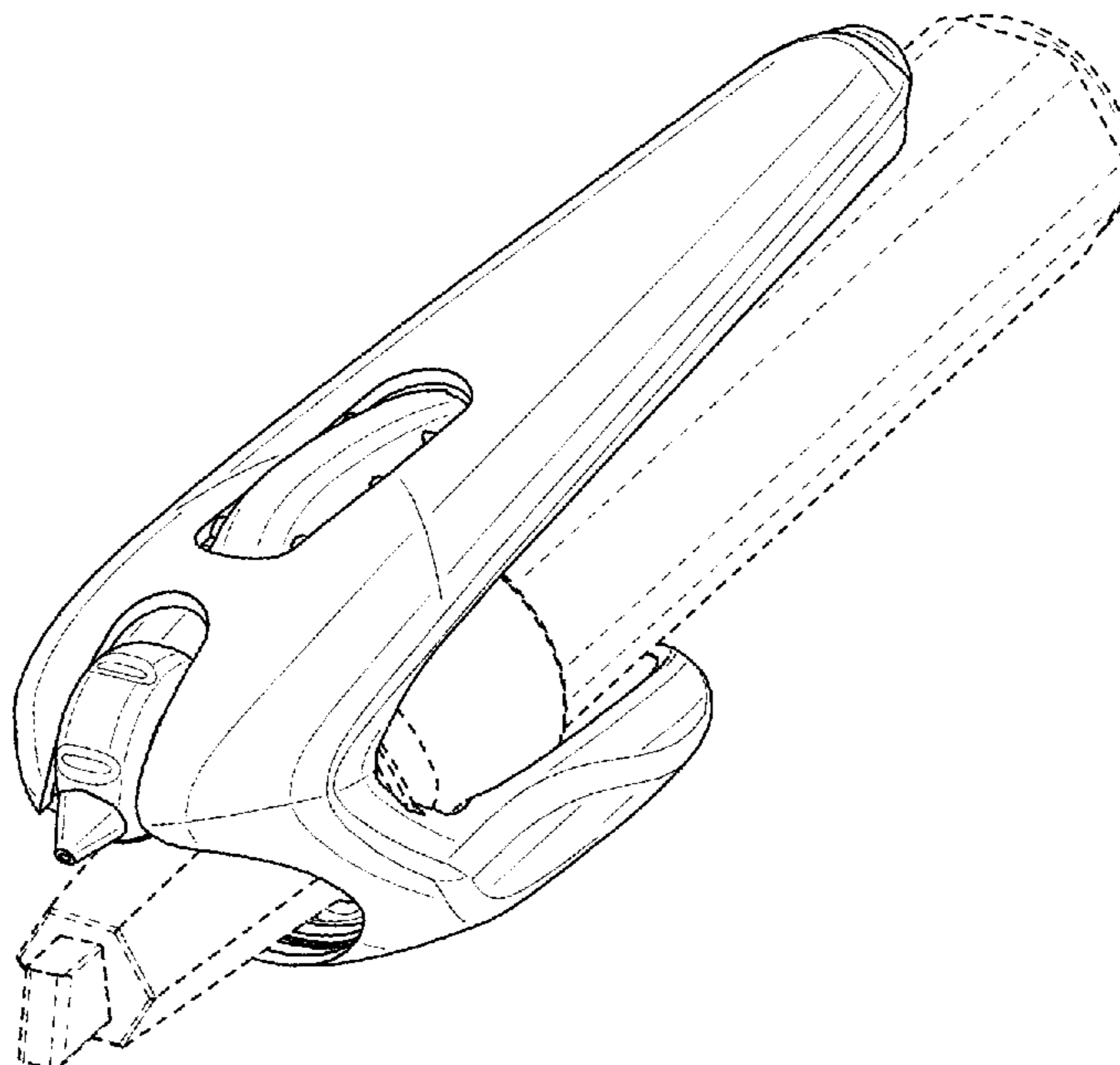
U.S. PATENT DOCUMENTS

D199,651 S *	11/1964	Sundberg	D23/213
4,651,929 A *	3/1987	Kranzle	B05B 9/01 222/473
6,170,758 B1 *	1/2001	Lee	A47L 5/18 239/124
D450,371 S *	11/2001	Liao	D19/108
D465,547 S *	11/2002	Tse	D23/213
6,663,023 B1 *	12/2003	Jou	B05B 1/005 239/526
6,685,107 B1 *	2/2004	Salzman	B05B 7/24 222/383.1
D523,924 S *	6/2006	Byron	D23/213

DESCRIPTION

FIG. 1 is a perspective view of an airbrush showing my new design;
FIG. 2 is a front view of the airbrush of FIG. 1;
FIG. 3 is a rear view of the airbrush of FIG. 1;
FIG. 4 is a left side view of the airbrush of FIG. 1;
FIG. 5 is a right side view of the airbrush of FIG. 1;
FIG. 6 is a top plan view of the airbrush of FIG. 1; and,
FIG. 7 is a bottom plan view of the airbrush of FIG. 1.
The broken lines in the drawings illustrate portions of the airbrush which form no part of the claimed design.

1 Claim, 7 Drawing Sheets



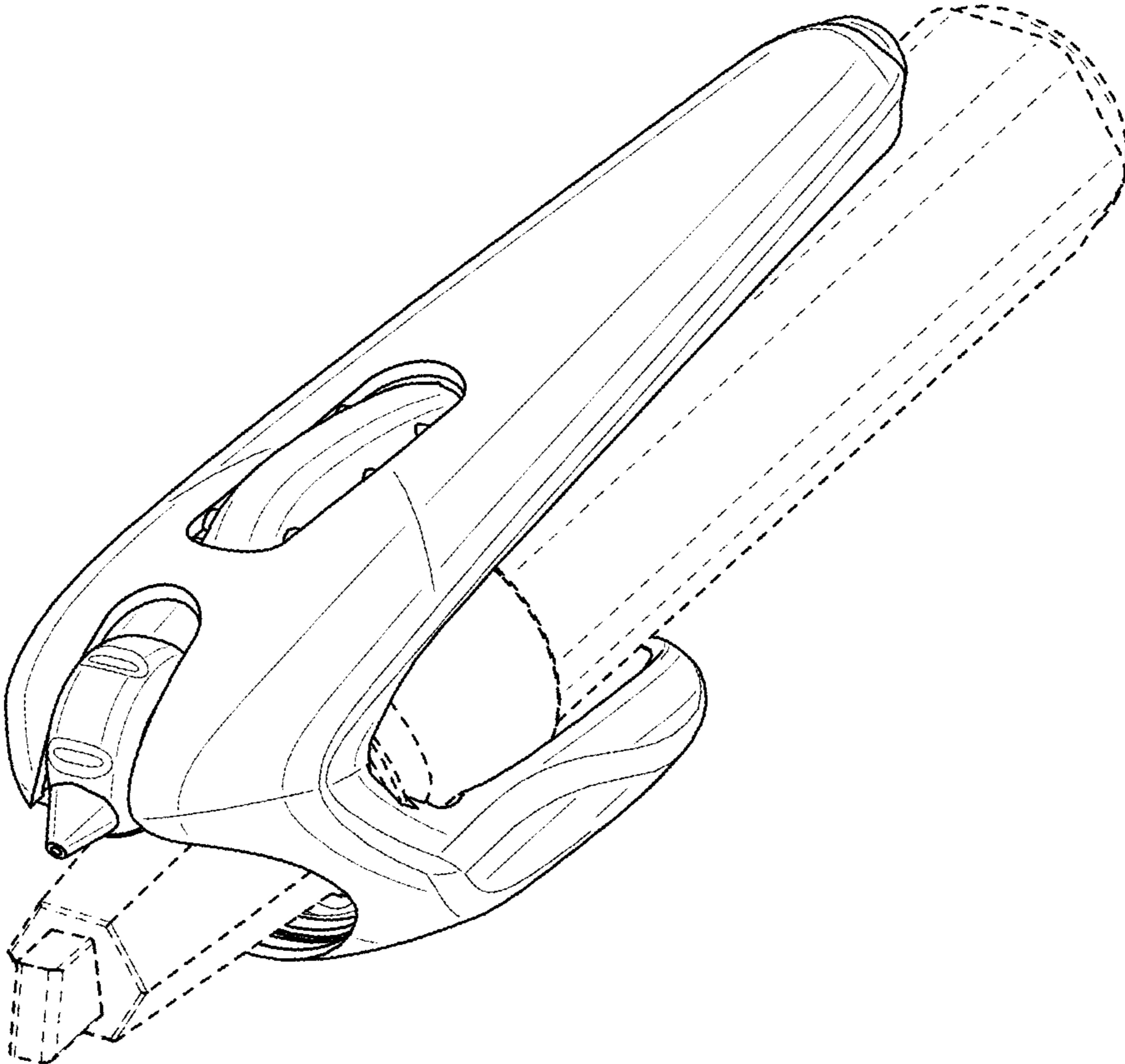


FIG. 1

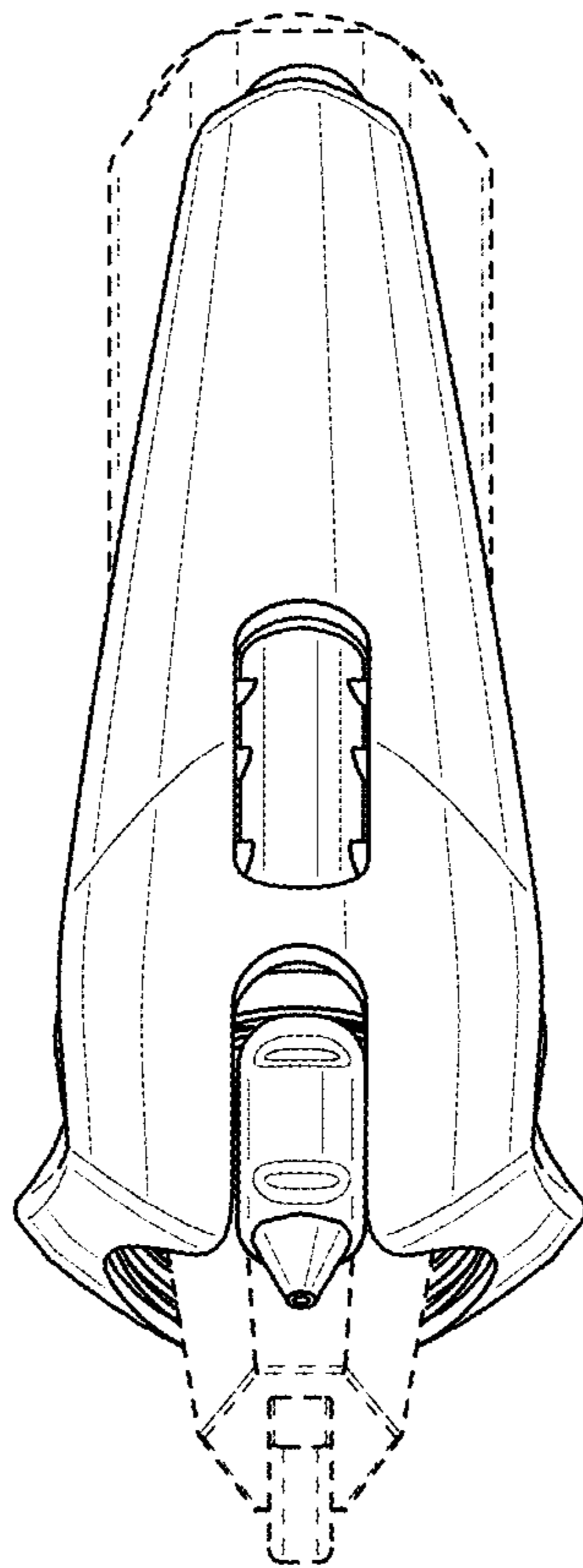


FIG. 2

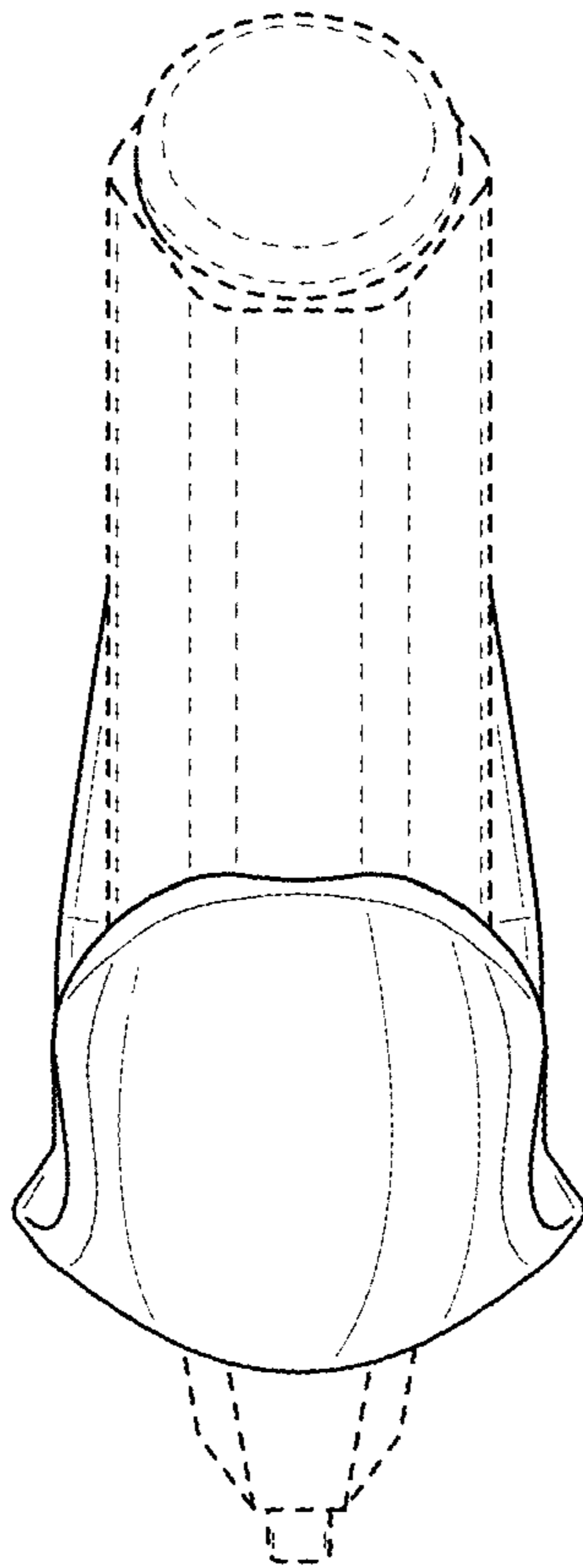


FIG. 3

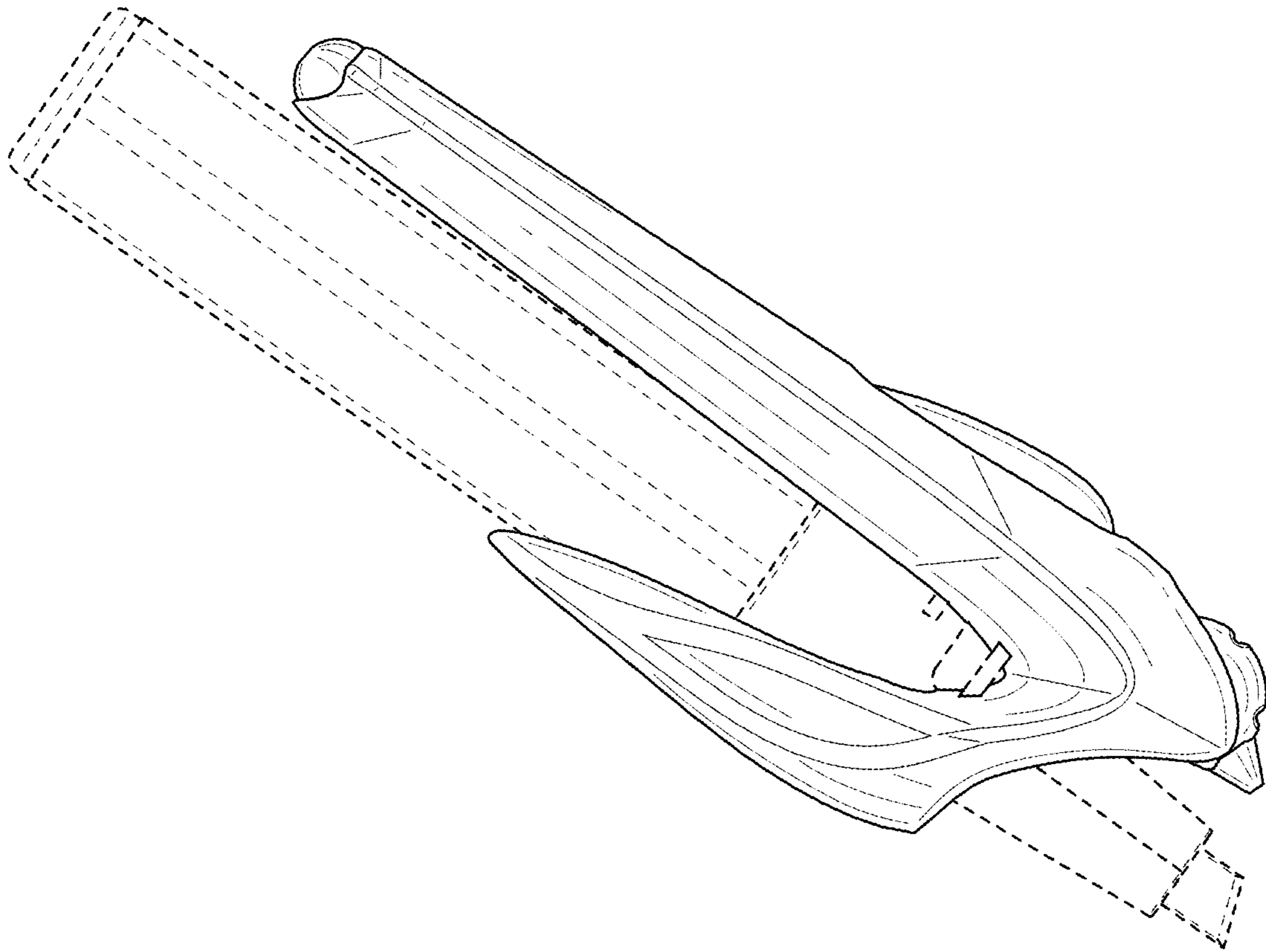


FIG. 4

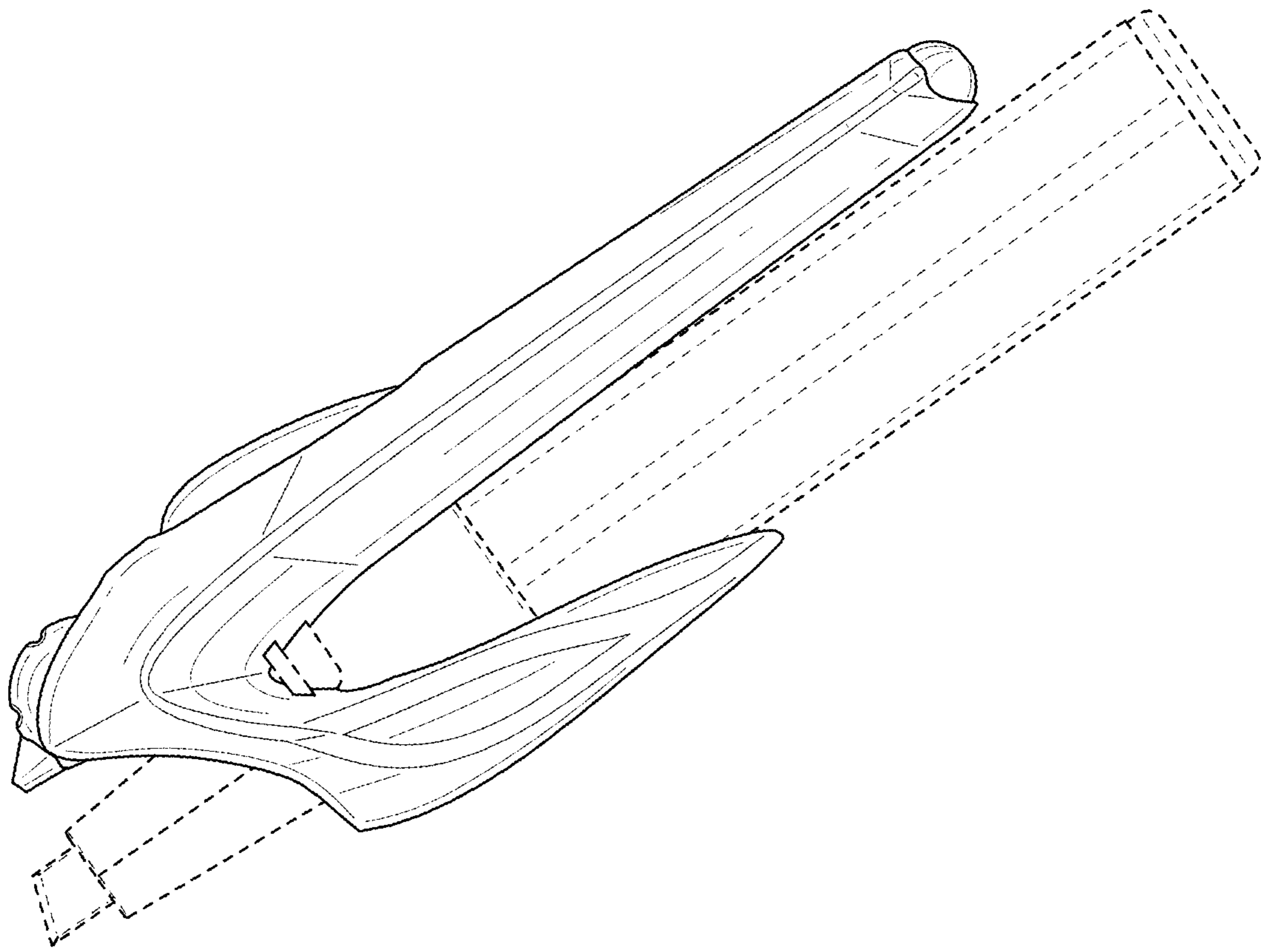


FIG. 5

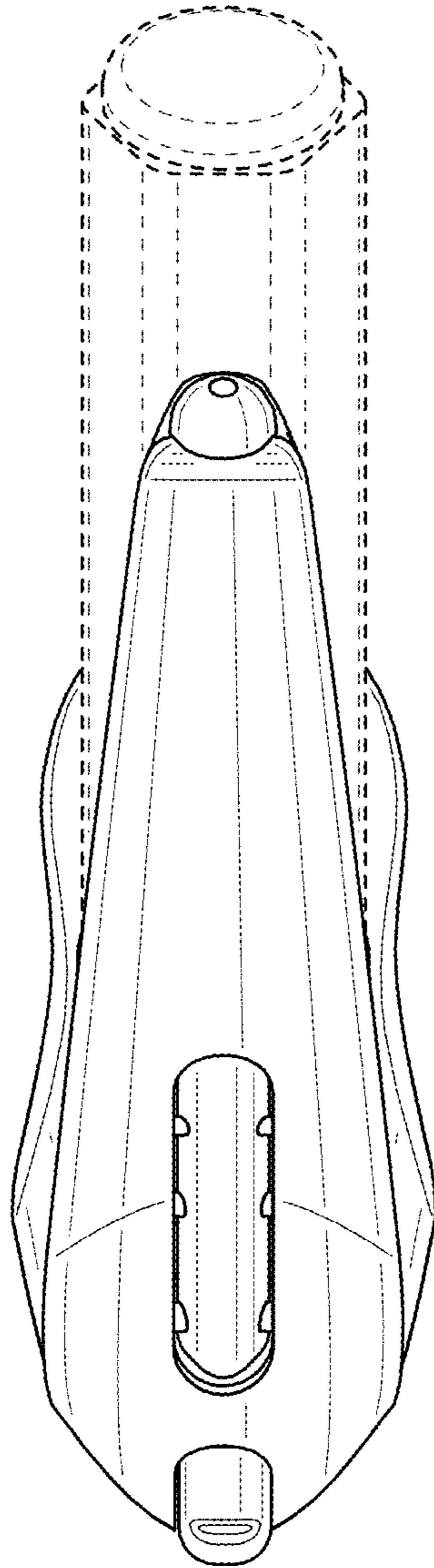


FIG. 6

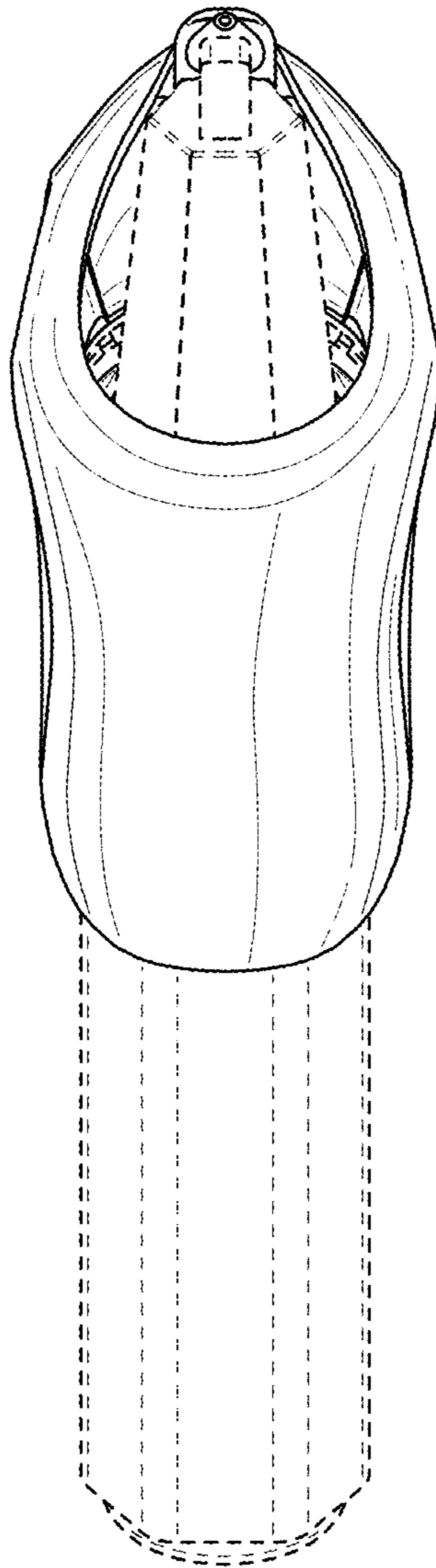


FIG. 7