



US00D785135S

(12) **United States Design Patent** (10) **Patent No.:** **US D785,135 S**
Finamore (45) **Date of Patent:** **** Apr. 25, 2017**

(54) **AIRBRUSH SYSTEM**
(71) Applicant: **CC International, LLC**, Santa Ana, CA (US)
(72) Inventor: **Gia Finamore**, Miami Beach, FL (US)
(73) Assignee: **CC International, LLC**, Santa Ana, CA (US)
(**) Term: **15 Years**

(21) Appl. No.: **29/552,157**
(22) Filed: **Jan. 20, 2016**
(51) **LOC (10) Cl.** **23-01**
(52) **U.S. Cl.**
USPC **D23/223**
(58) **Field of Classification Search**
USPC D23/202, 207, 210, 221, 223, 214, 209,
D23/213; D14/191, 218; D13/171, 168;
D21/556
CPC A62C 37/12; A62C 35/68; B65G 64/04;
B65G 1/00; B65D 85/00; B65D 1/00;
B65D 88/54; B05B 7/2416; B05B
7/24838; C02F 1/003; C02F 1/283; C02F
9/005; A01K 63/045
See application file for complete search history.

(56) **References Cited**
U.S. PATENT DOCUMENTS
D346,805 S * 5/1994 Kim D14/225
D365,771 S * 1/1996 Clivio D10/40
D471,535 S * 3/2003 Bey D14/218
D478,605 S * 8/2003 Guzman D13/168
D505,393 S * 5/2005 Mullet D13/168
D540,038 S * 4/2007 Hussaini D3/201
D545,467 S * 6/2007 Chun D26/37
D548,196 S * 8/2007 Bonnaud D13/168
D577,417 S * 9/2008 Olsson D23/223
D619,546 S * 7/2010 Chiu D13/168

D632,761 S * 2/2011 Cane D23/213
D652,891 S * 1/2012 Choi D23/207
D656,478 S * 3/2012 Barley D14/159
D720,103 S * 12/2014 Haug D32/21
D736,544 S * 8/2015 Lampman D6/663
2009/0045086 A1* 2/2009 Agresta A01K 63/045
206/301
2011/0192790 A1* 8/2011 Underwood B01L 3/0293
210/541
2012/0067977 A1* 3/2012 Spiegel B05B 7/068
239/337
2015/0147473 A1* 5/2015 Tse B05B 7/2429
427/256

(Continued)

Primary Examiner — Robin V Webster
Assistant Examiner — Rachel Voorhies
(74) *Attorney, Agent, or Firm* — Economou Silfin LLP

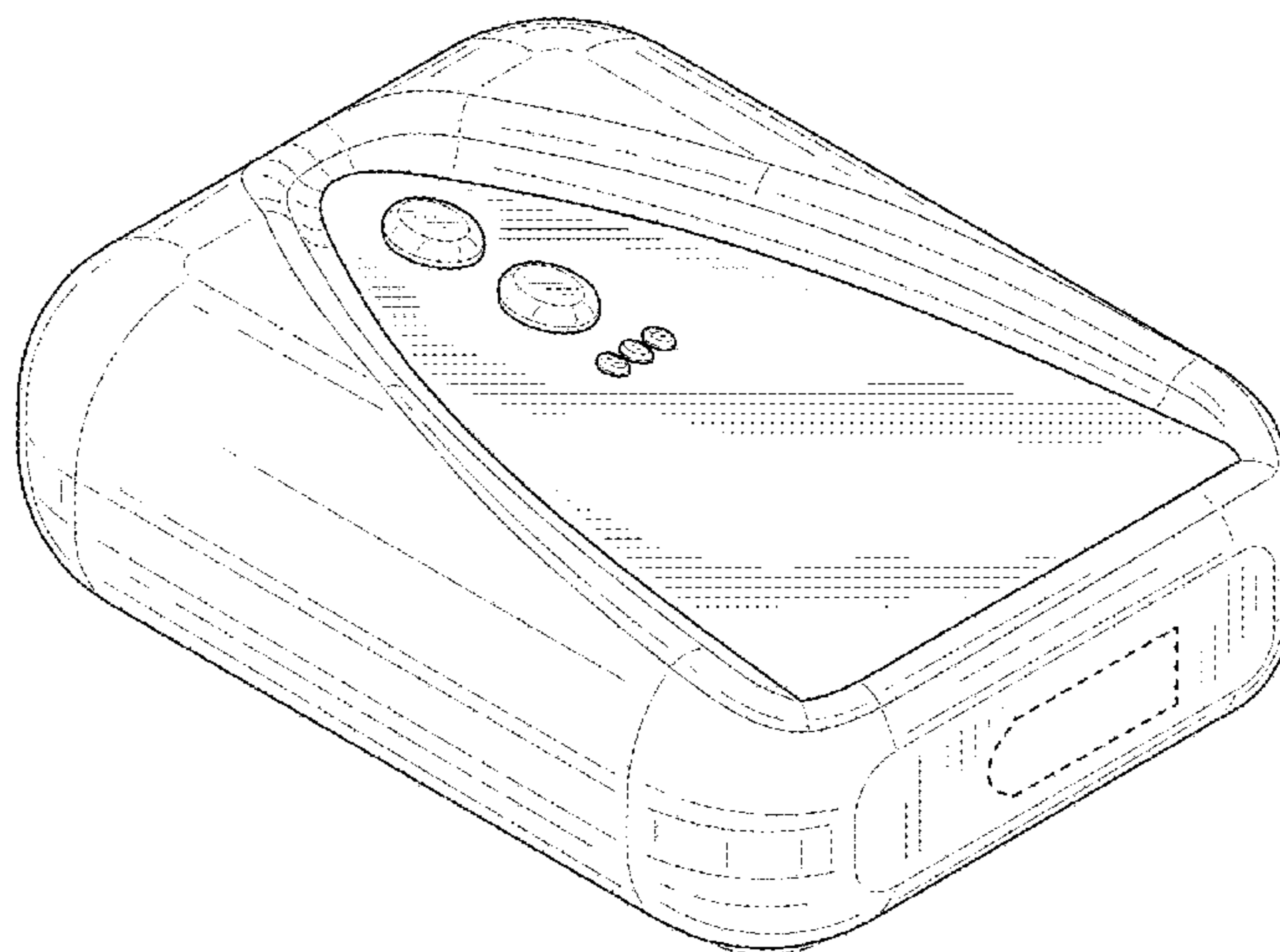
(57) **CLAIM**

The ornamental design for an airbrush system, as shown and described.

DESCRIPTION

FIG. 1 is a perspective view of an embodiment of an airbrush system showing my new design;
FIG. 2 is another perspective view of an embodiment of an airbrush system showing my new design;
FIG. 3 is a front view of the airbrush system of FIG. 2;
FIG. 4 is a rear view of the airbrush system of FIG. 2;
FIG. 5 is a left side view of the airbrush system of FIG. 2;
FIG. 6 is a right side view of the airbrush system of FIG. 2;
FIG. 7 is a top plan view of the airbrush system of FIG. 2;
and,
FIG. 8 is a bottom plan view of the airbrush system of FIG. 2.
The portion(s) of the airbrush system shown in broken lines are for environmental purposes only and do not form part of the claimed design.

1 Claim, 8 Drawing Sheets



(56)

References Cited

U.S. PATENT DOCUMENTS

2015/0189972 A1* 7/2015 Mehta A45D 34/04
132/200

* cited by examiner

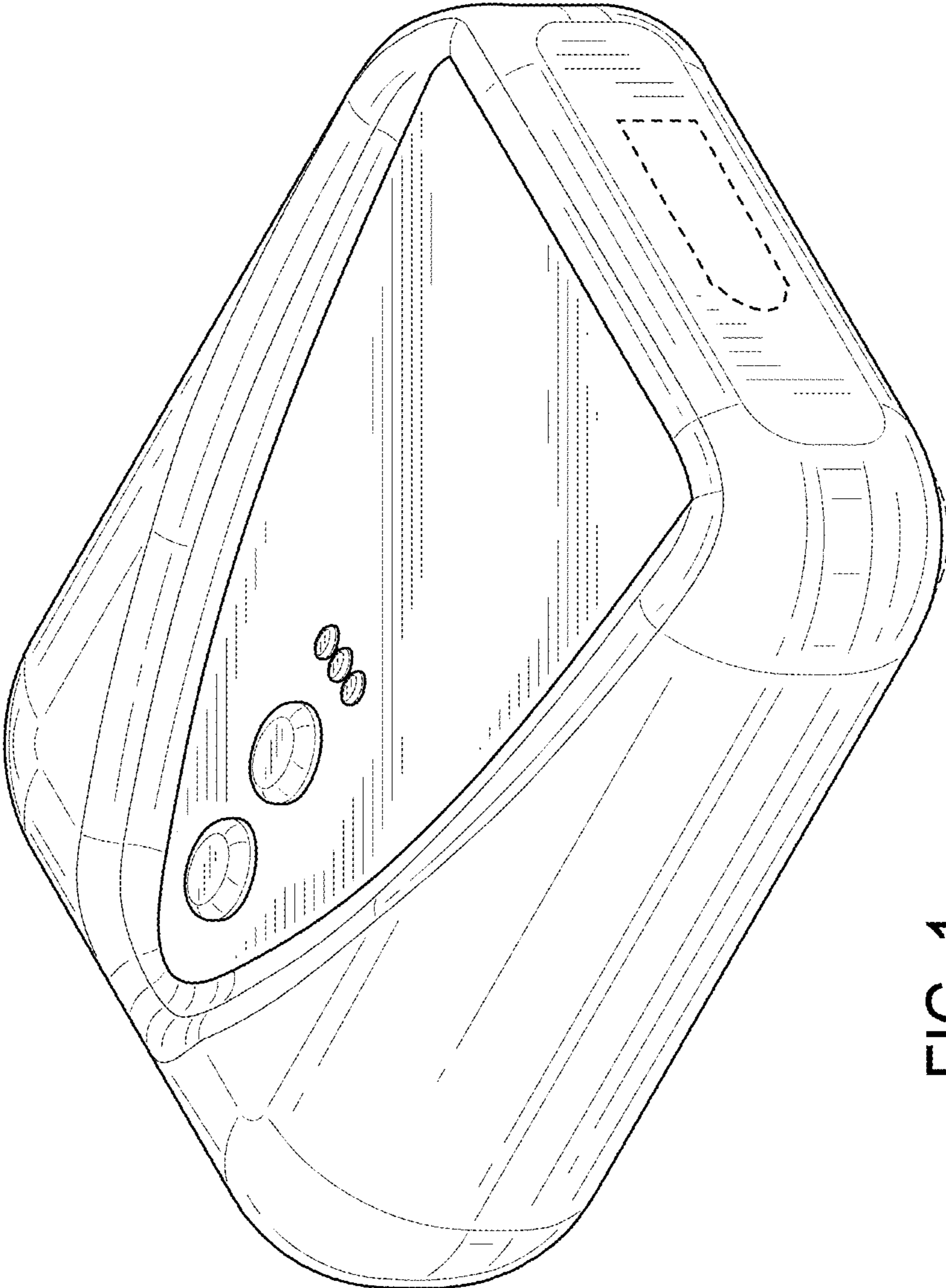


FIG. 1

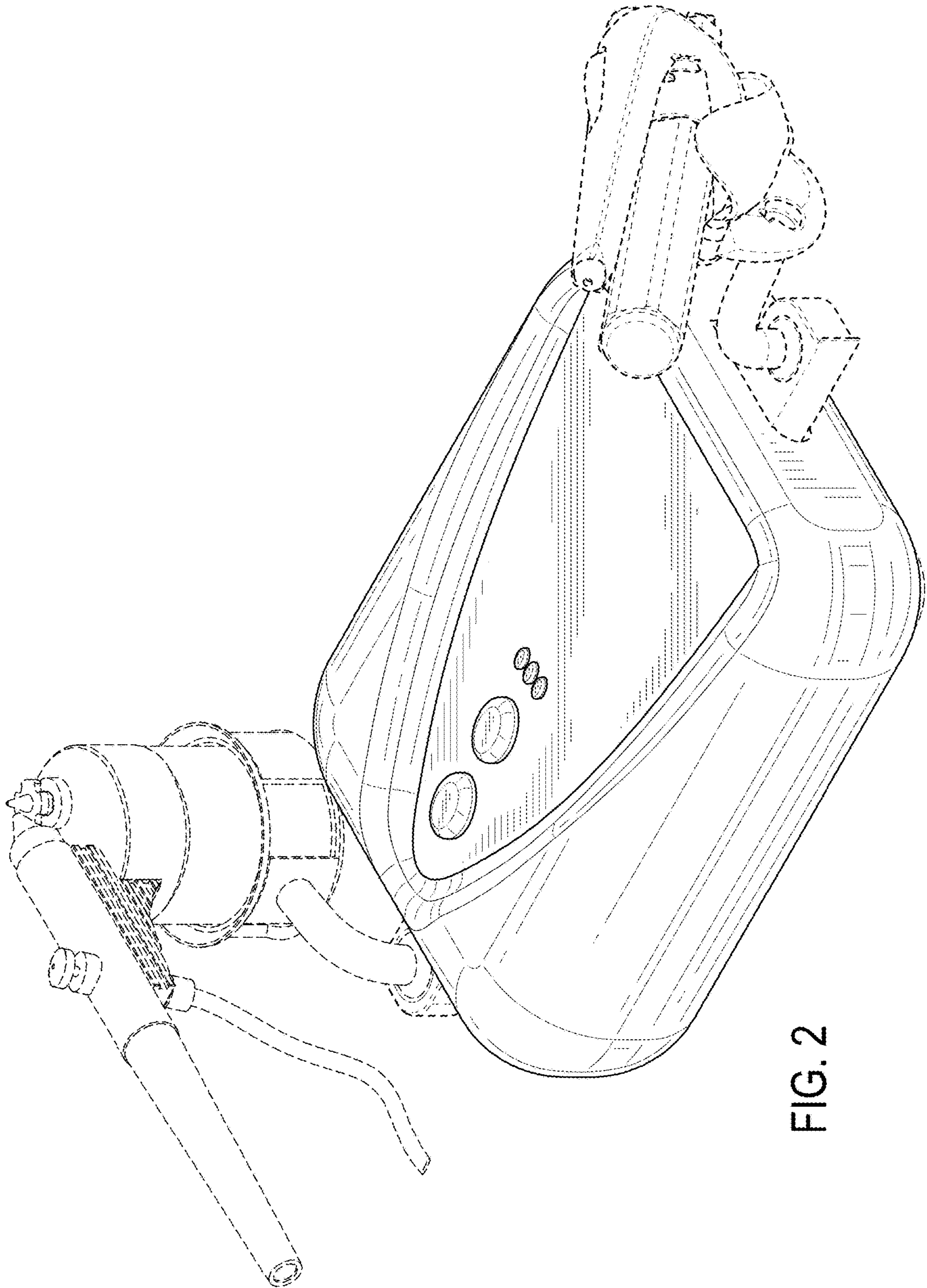


FIG. 2

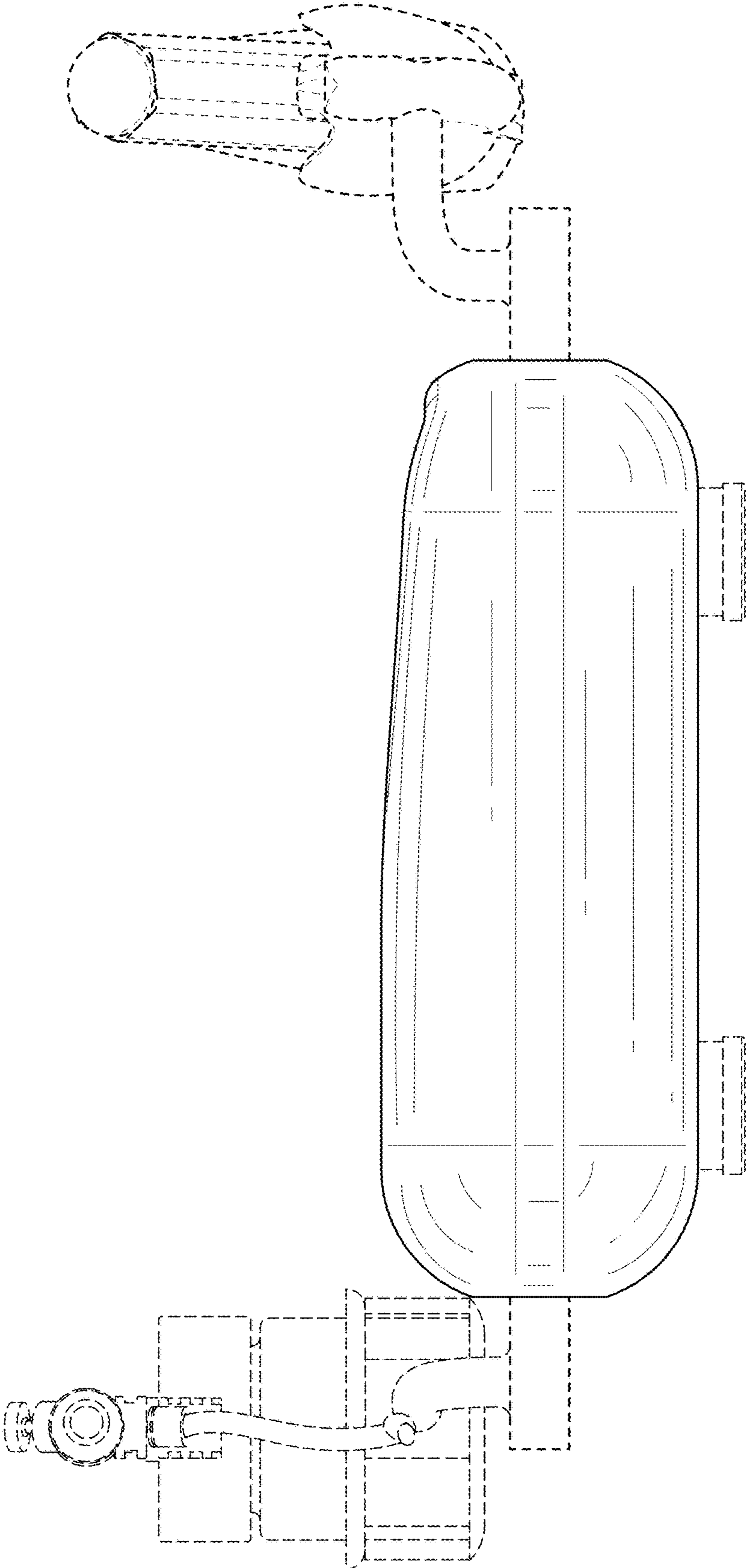


FIG. 3

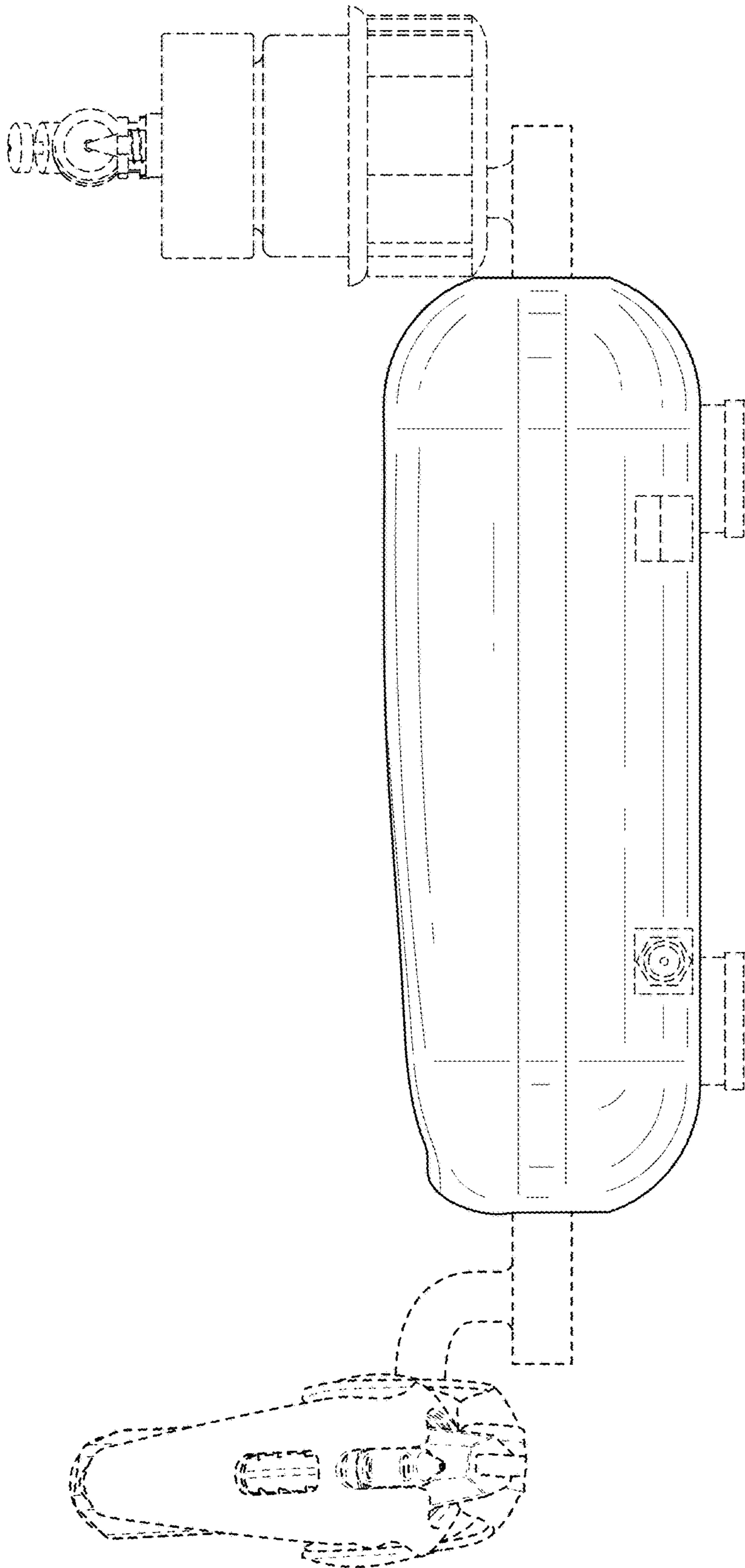


FIG. 4

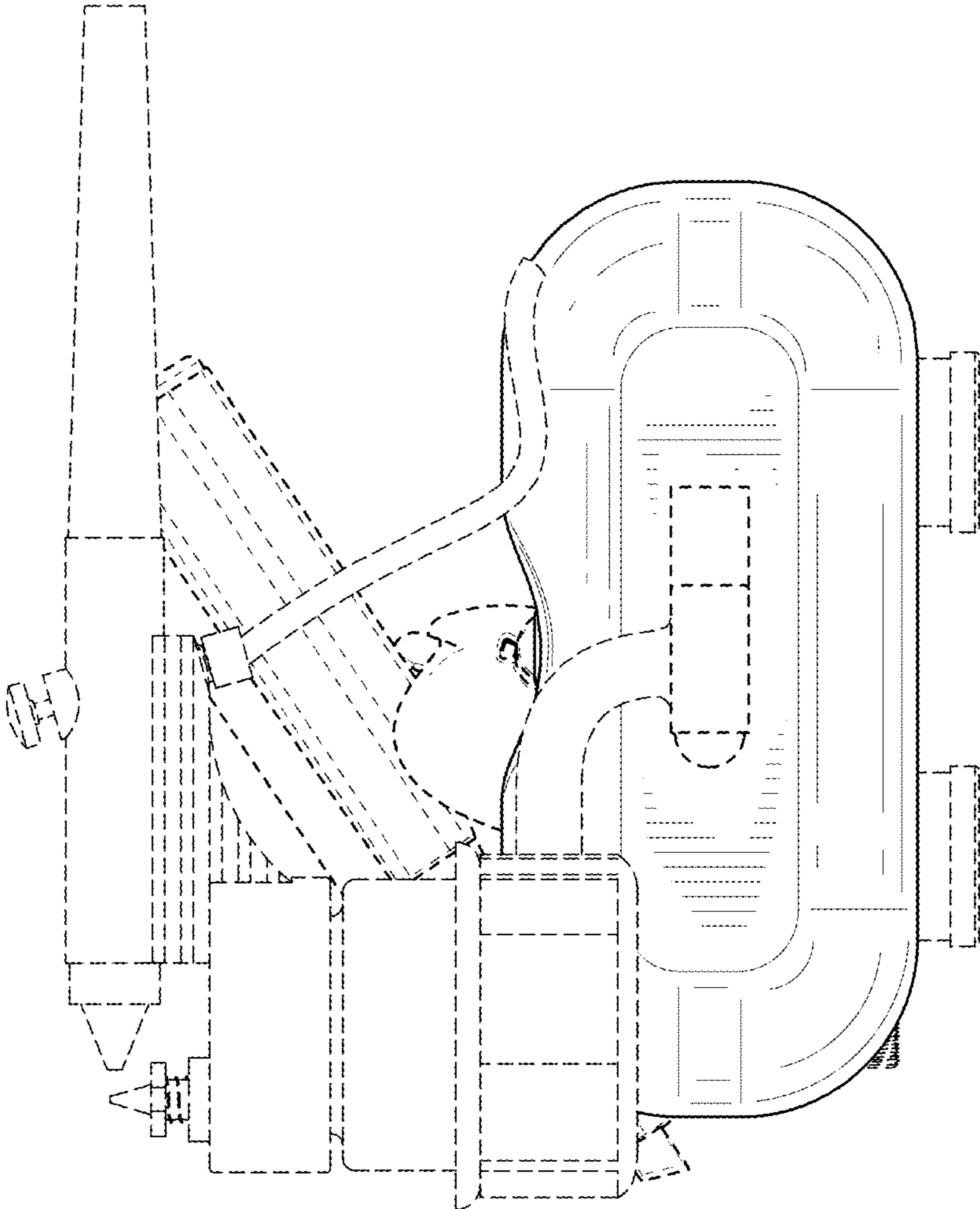


FIG. 5

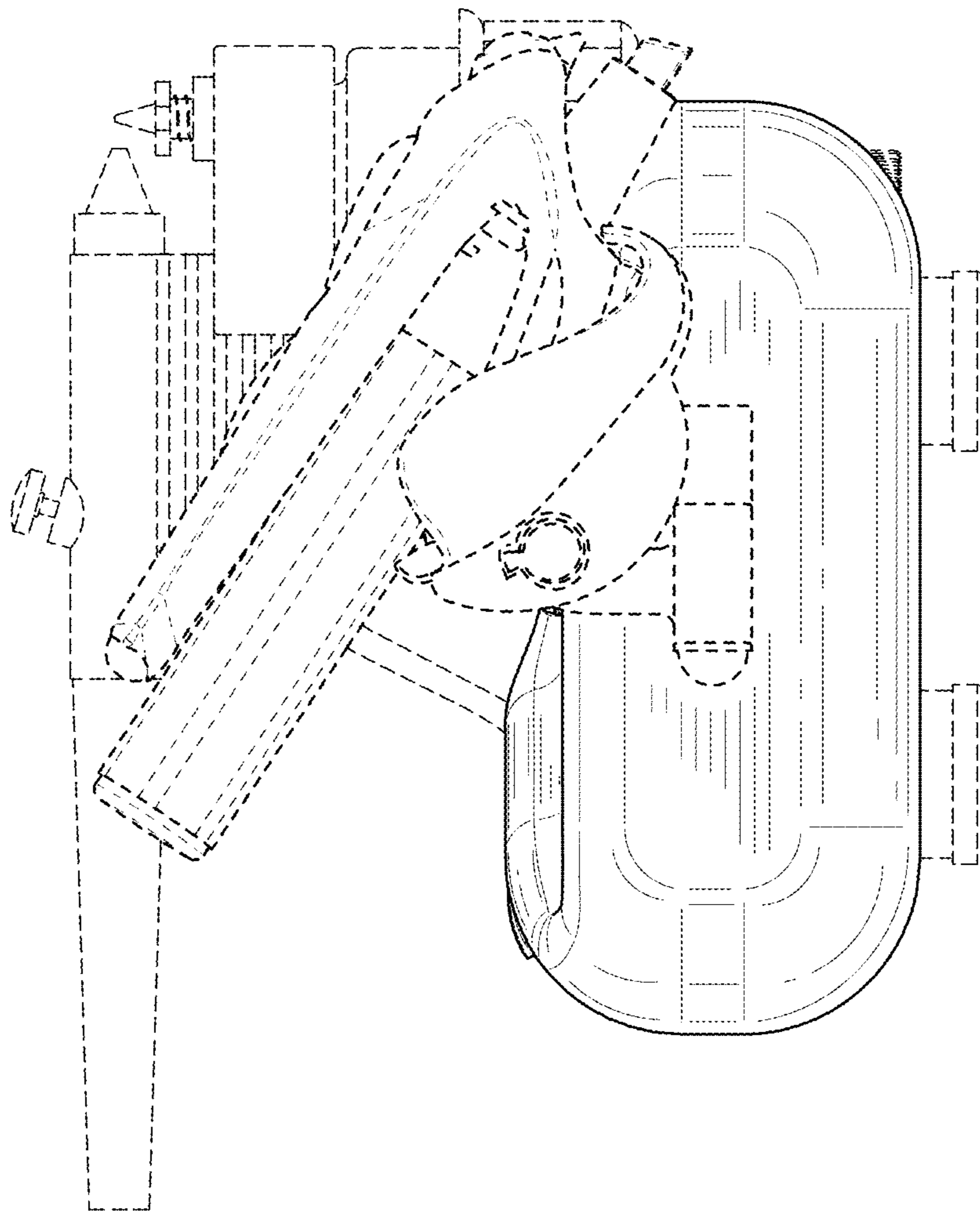


FIG. 6

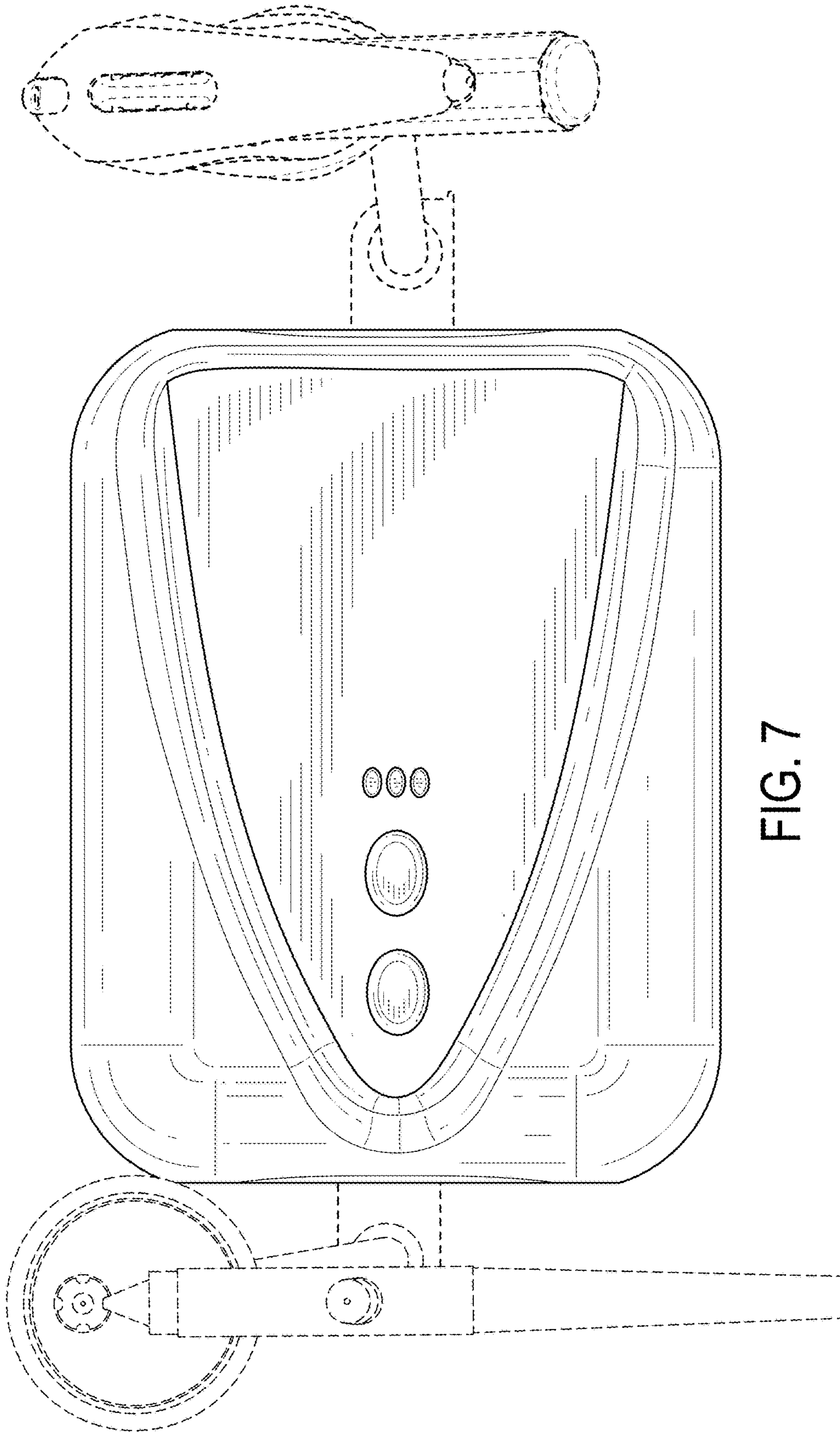


FIG. 7

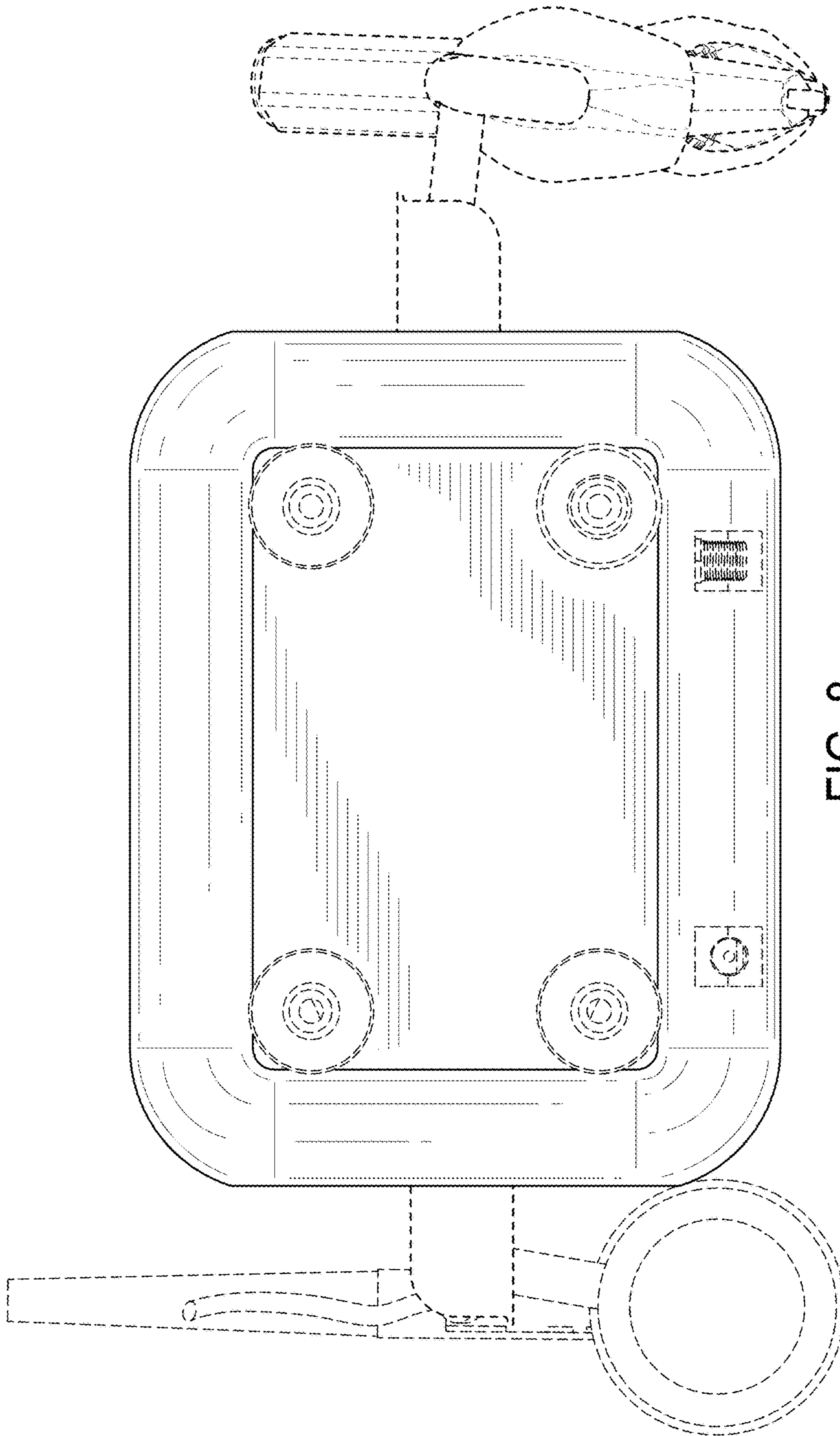


FIG. 8