



US00D785133S

(12) **United States Design Patent** (10) **Patent No.:** **US D785,133 S**
Baird (45) **Date of Patent:** **** Apr. 25, 2017**

(54) **BYPASS PROJECTION AND NOZZLES FOR A WATER FILTER**

FOREIGN PATENT DOCUMENTS

(71) Applicant: **Michael T. Baird**, Temecula, CA (US)

AU	199939201	B1	2/2000
EP	0917900	A1	5/1999
JP	H06327909	A	11/1994
SU	1430062	A1	11/1986

(72) Inventor: **Michael T. Baird**, Temecula, CA (US)

(73) Assignee: **TST Water, INC.**, Temecula, CA (US)

OTHER PUBLICATIONS

(**) Term: **15 Years**

U.S. Appl. No. 14/970,310, filed Feb. 5, 2016, for a Design for a Bypass Projection and Nozzles For a Water Filter, First named inventor Michael T. Baird.

(21) Appl. No.: **29/565,895**

(Continued)

(22) Filed: **May 25, 2016**

Primary Examiner — Robin V Webster

Related U.S. Application Data

(74) *Attorney, Agent, or Firm* — Stetina Brunda Garred & Brucker; Lowell Anderson

(62) Division of application No. 29/509,517, filed on Nov. 18, 2014, now Pat. No. Des. 759,789.

(51) **LOC (10) Cl.** **23-01**

(57) **CLAIM**

The ornamental design for the bypass projection and nozzles for a water filter, as shown and described.

(52) **U.S. Cl.**

USPC **D23/209**

DESCRIPTION

(58) **Field of Classification Search**

USPC D23/207, 209, 262, 259, 265; 210/232, 210/234, 236, 418, 493.2; D8/382; 285/360, 361

CPC B01D 2201/291; B01D 2201/293; B01D 2201/296; B01D 2201/298; B01D 2201/301–2201/306; B01D 35/153; B01D 35/157; B01D 35/30; B01D 29/111

See application file for complete search history.

FIG. 1 is a bottom perspective view of a bypass projection and nozzles for a water filter;

FIG. 2 is a front view of the bypass projection and nozzles of FIG. 1;

FIG. 3 is a back view of the bypass projection and nozzles of FIG. 2;

FIG. 4 is a right side view of the bypass projection and nozzles of FIG. 3, with the opposing side being a mirror image thereof;

FIG. 5 is a top perspective view of the bypass projection and nozzles of FIG. 1; and,

FIG. 6 is a top view of the bypass projection and nozzles of FIG. 4.

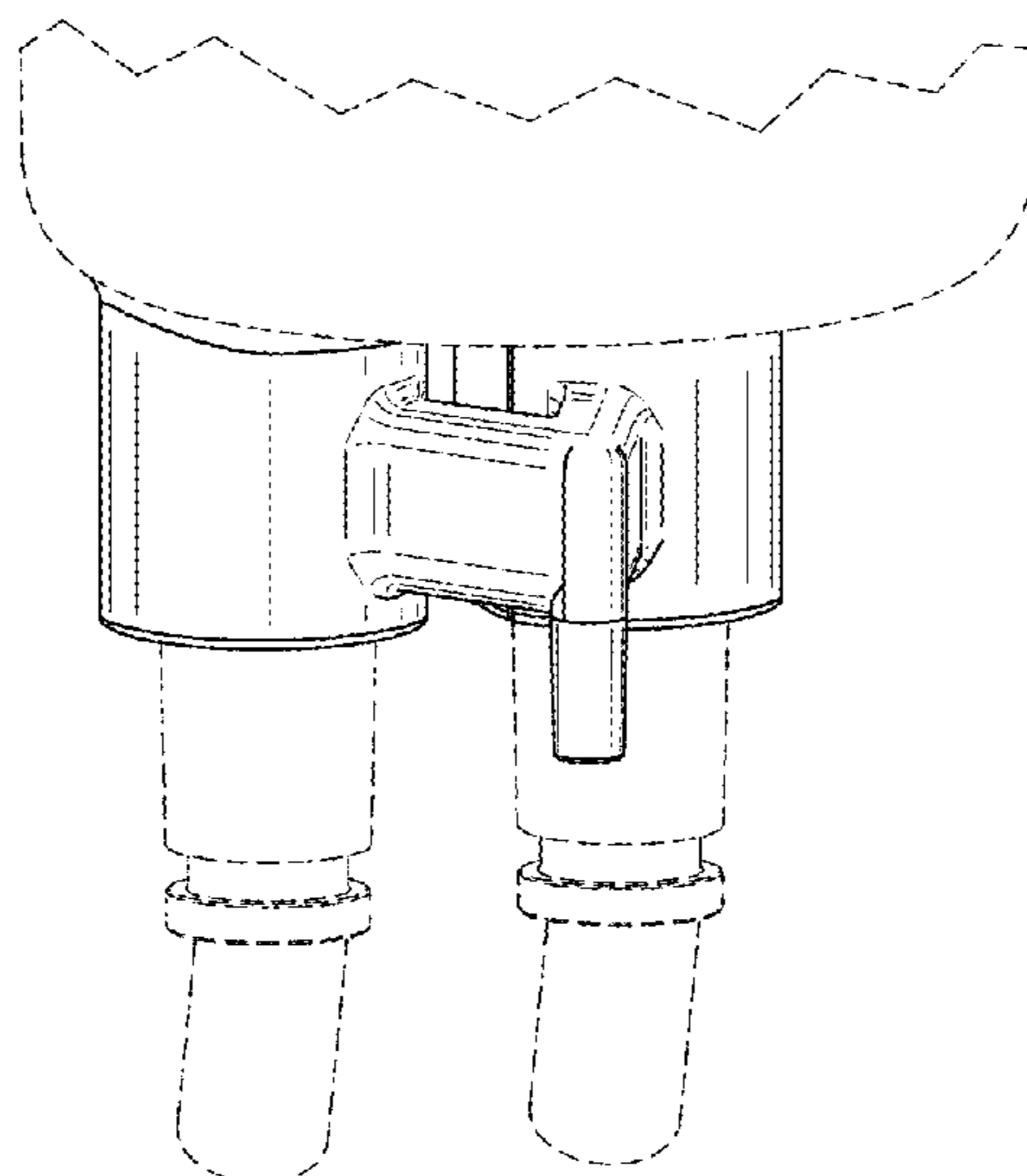
The broken line showing of portions of a water filter cartridge are for the purpose of illustrating environmental structure and form no part of the claimed design.

(56) **References Cited**

U.S. PATENT DOCUMENTS

5,186,829	A	2/1993	Janik
5,207,898	A	5/1993	Hodgkins
5,620,599	A	4/1997	Hopkins et al.
7,000,894	B2	2/2006	Olson et al.
7,610,932	B2	11/2009	Olson et al.
2003/0019805	A1	1/2003	Fritze

1 Claim, 2 Drawing Sheets



(56)

References Cited

OTHER PUBLICATIONS

Design U.S. Appl. No. 29/513,228, filed Dec. 29, 2014, for a Design for a Bypass Projection and Nozzles for a Water Filter, First named inventor Michael T. Baird.

Design U.S. Appl. No. 29/565,923, filed May 25, 2016, for a Design for a Bypass Projection and Nozzles For a Water Filter, First named inventor Michael T. Baird.

Design U.S. Appl. No. 29/509,527, filed Nov. 18, 2014, for a Design for a Bypass Projection and Nozzles for a Water Filter, First named inventor Michael T. Baird.

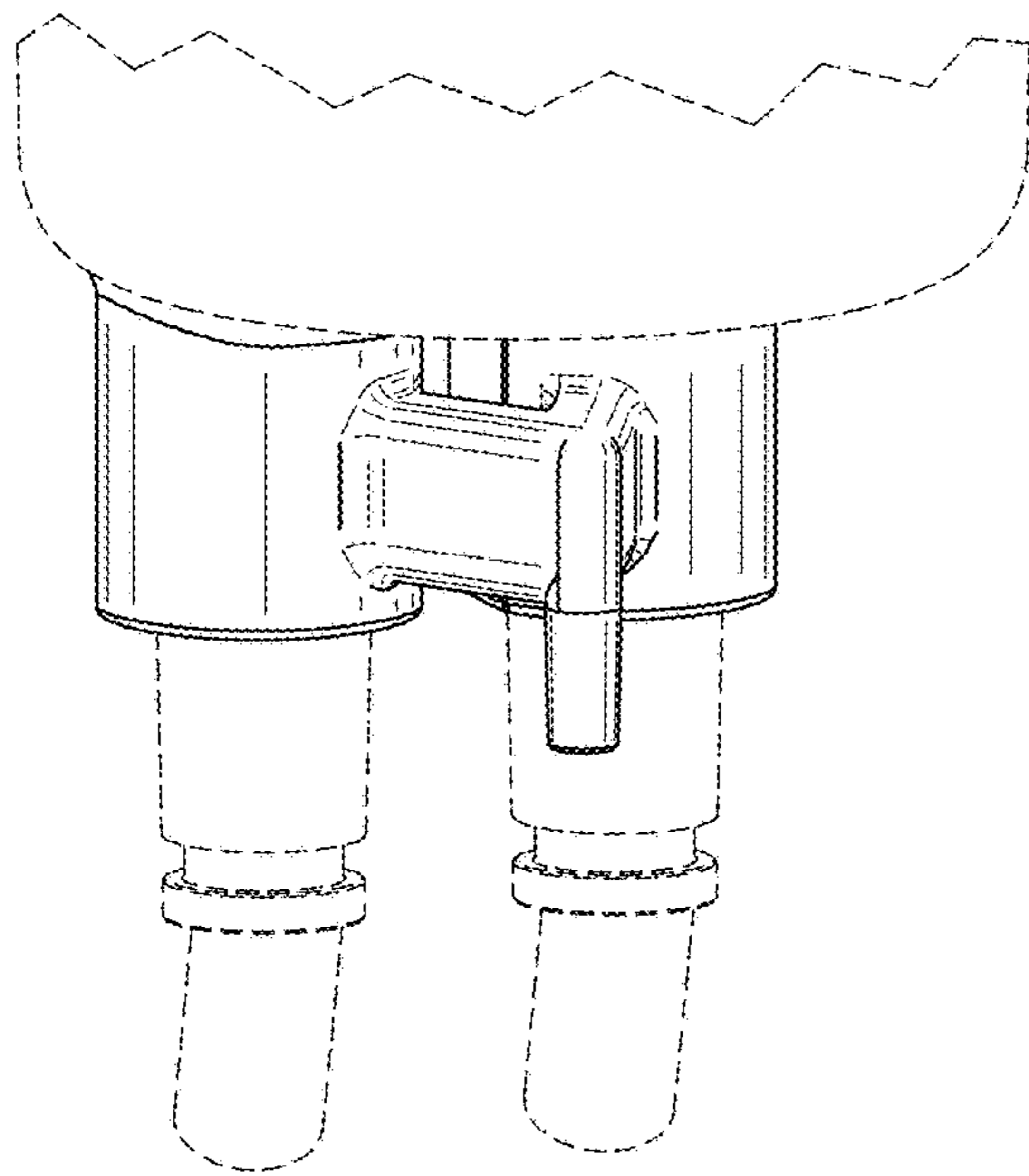


Fig. 1

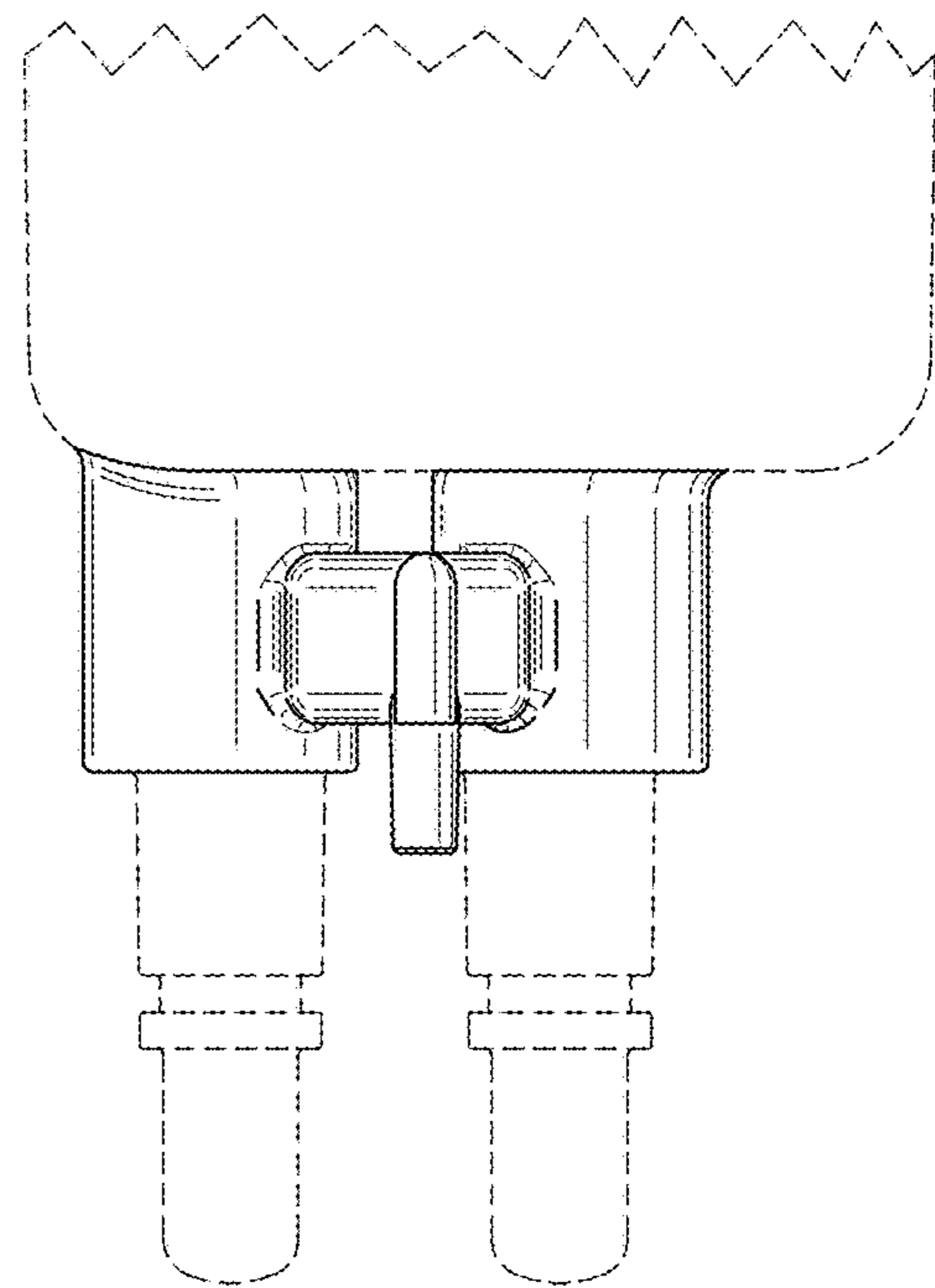


Fig. 2

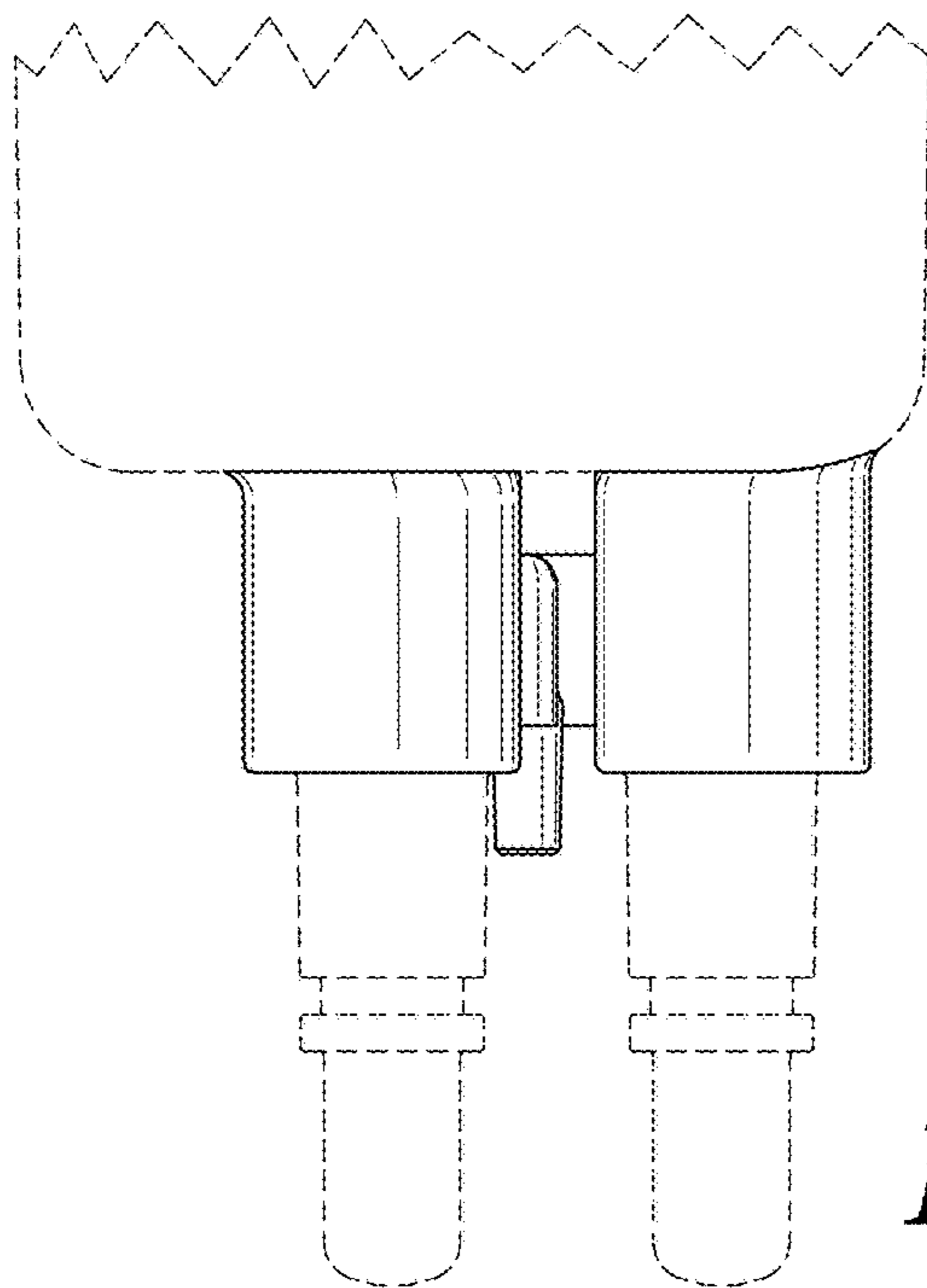


Fig. 3

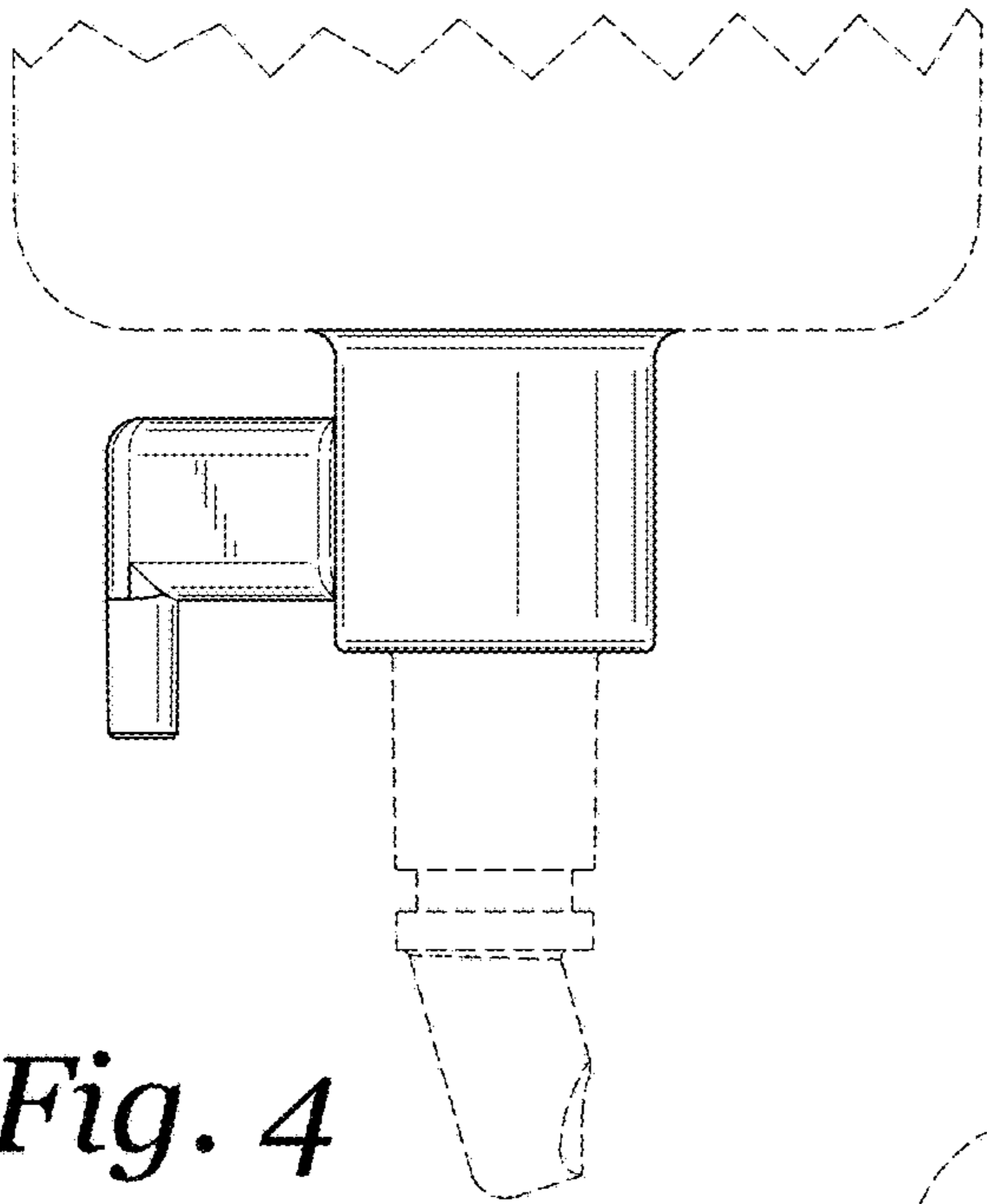


Fig. 4

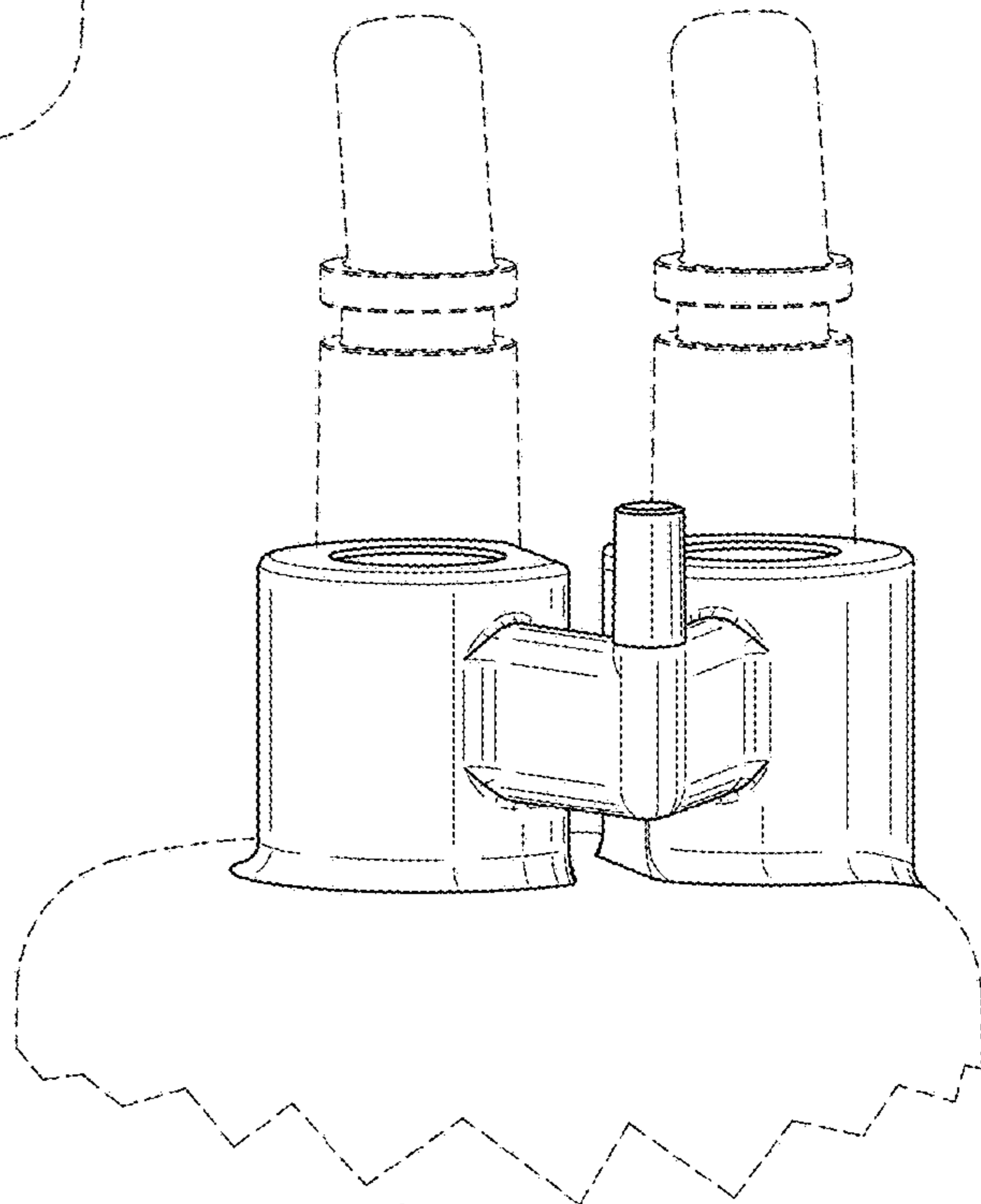


Fig. 5

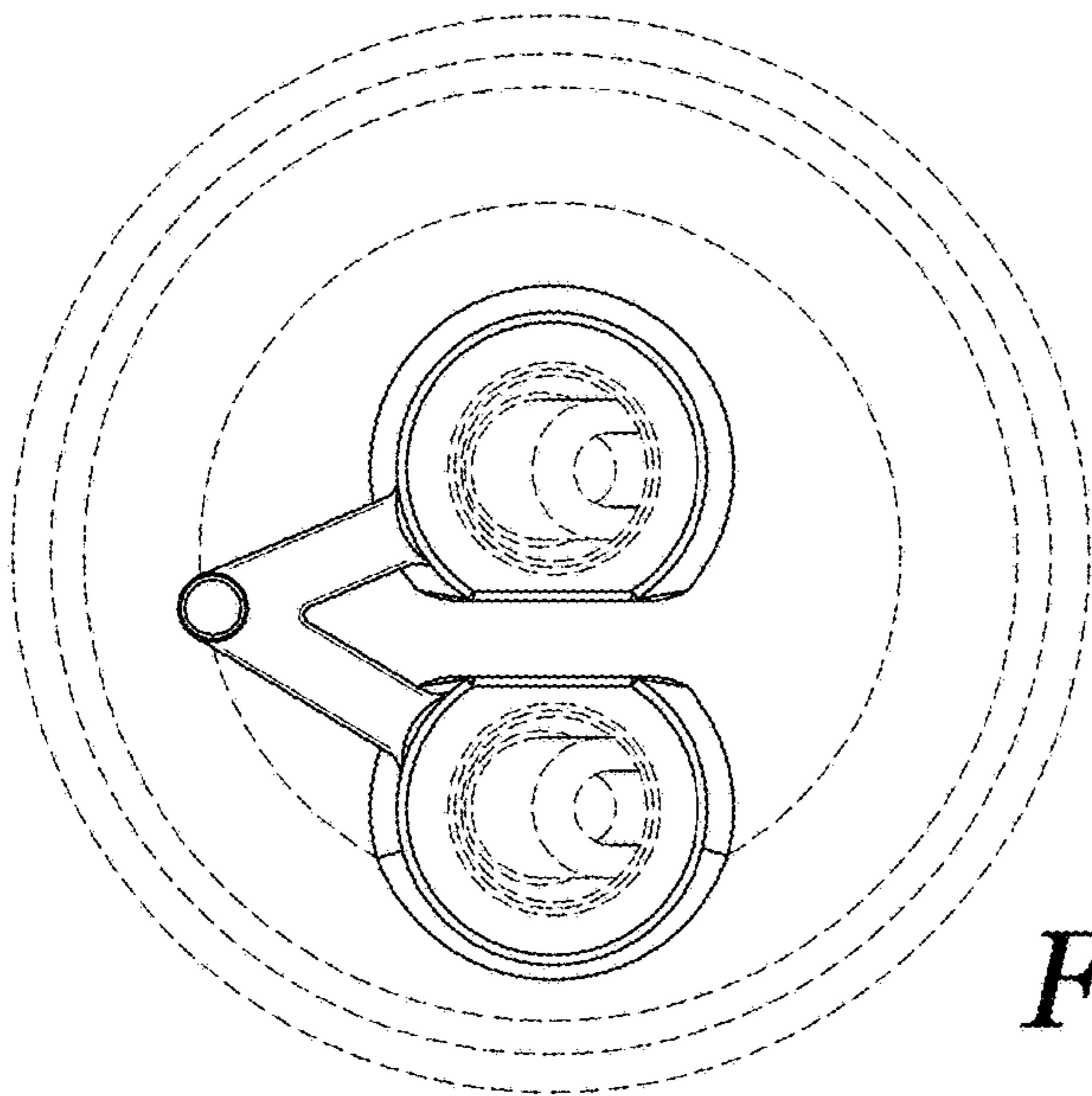


Fig. 6