



US00D785132S

(12) **United States Design Patent**  
**Jackson et al.**

(10) **Patent No.:** **US D785,132 S**

(45) **Date of Patent:** **\*\* Apr. 25, 2017**

(54) **MECHANICAL FILTER ELEMENT**

(71) Applicants: **Nicholas John Jackson**, Lathom (GB);  
**Jasper Hendericus Maria Kuijper**,  
Burscough (GB)

(72) Inventors: **Nicholas John Jackson**, Lathom (GB);  
**Jasper Hendericus Maria Kuijper**,  
Burscough (GB)

(73) Assignee: **Evolution Aqua Limited**, Wigan (GB)

(\*\*) Term: **15 Years**

(21) Appl. No.: **29/545,535**

(22) Filed: **Nov. 13, 2015**

(30) **Foreign Application Priority Data**

May 15, 2015 (EM) ..... 002701607

(51) **LOC (10) Cl.** ..... **23-01**

(52) **U.S. Cl.**  
USPC ..... **D23/209**

(58) **Field of Classification Search**

USPC ..... D23/207, 209, 269; 261/94, 108,  
261/DIG. 72; 210/150, 614, 616

CPC ..... B01J 19/30; B01J 19/32  
See application file for complete search history.

(56) **References Cited**

**U.S. PATENT DOCUMENTS**

5,779,886 A \* 7/1998 Couture ..... B01F 3/04765  
210/150  
D465,257 S \* 11/2002 Van Olst ..... B01J 19/30  
D23/207

D611,120 S \* 3/2010 Brockdorff ..... D23/207  
D612,007 S \* 3/2010 Brockdorff ..... D23/207  
D618,760 S \* 6/2010 Flournoy ..... D23/207  
D645,116 S \* 9/2011 McKean ..... D23/207  
D648,821 S \* 11/2011 McKean ..... D23/207  
D661,778 S \* 6/2012 Dempster ..... D23/207  
8,241,717 B1 \* 8/2012 Anderson ..... B01J 19/30  
261/94  
D696,744 S \* 12/2013 Barrett ..... D23/207  
D718,412 S \* 11/2014 Flournoy ..... D23/207  
D762,279 S \* 7/2016 Flournoy ..... D23/207

\* cited by examiner

*Primary Examiner* — Robin V Webster

(74) *Attorney, Agent, or Firm* — Smith, Gambrell &  
Russell, LLP

(57) **CLAIM**

The ornamental design for a mechanical filter element, as shown and described.

**DESCRIPTION**

FIG. 1 is a right front perspective view of a mechanical filter element;

FIG. 2 is a front view thereof;

FIG. 3 is a rear view thereof;

FIG. 4 is a right side view thereof;

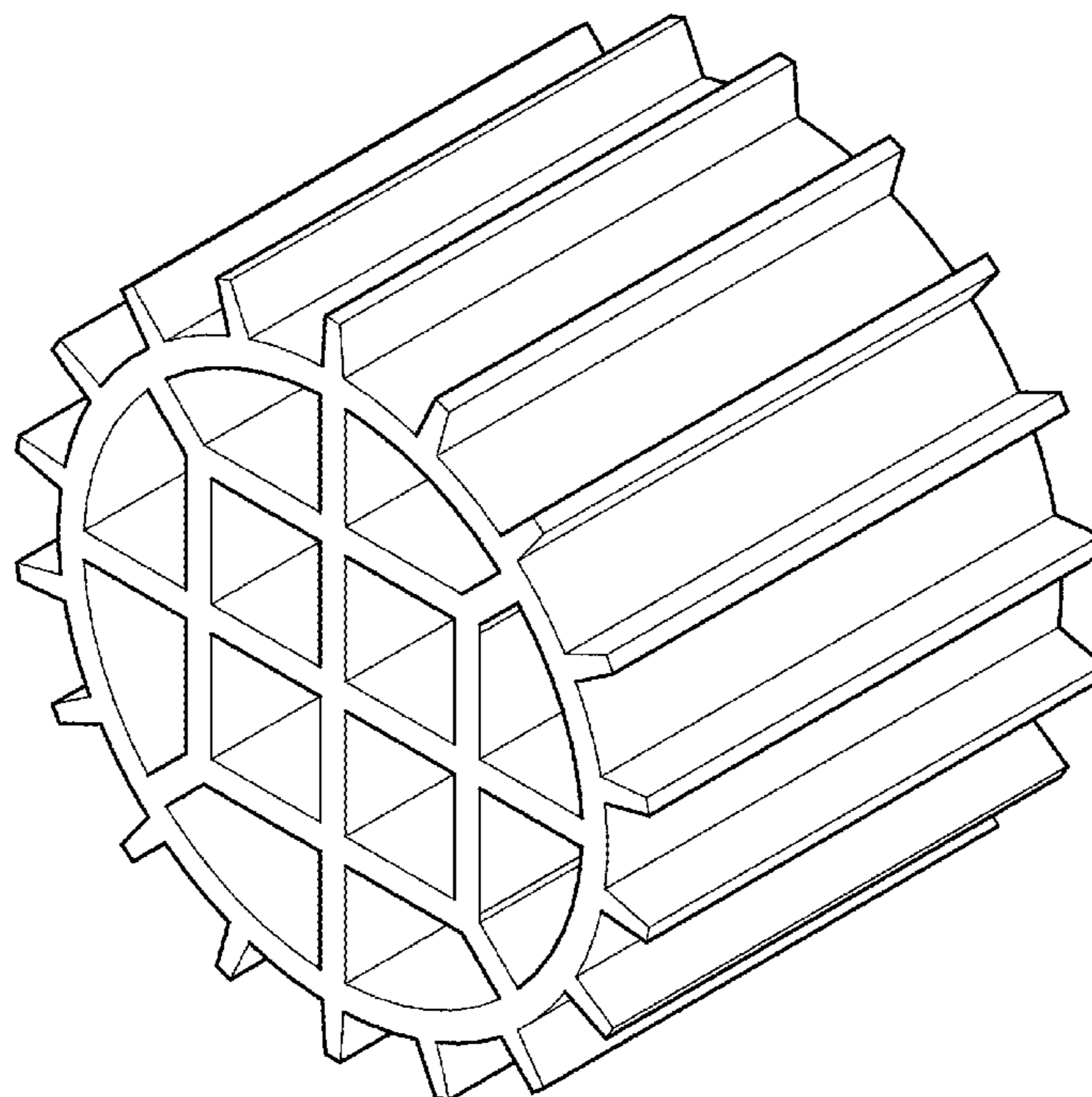
FIG. 5 is a left side view thereof;

FIG. 6 is a top view thereof; and,

FIG. 7 is a bottom view thereof.

The claimed mechanical filter element is used for performing mechanical filtration of a liquid, typically water.

**1 Claim, 7 Drawing Sheets**



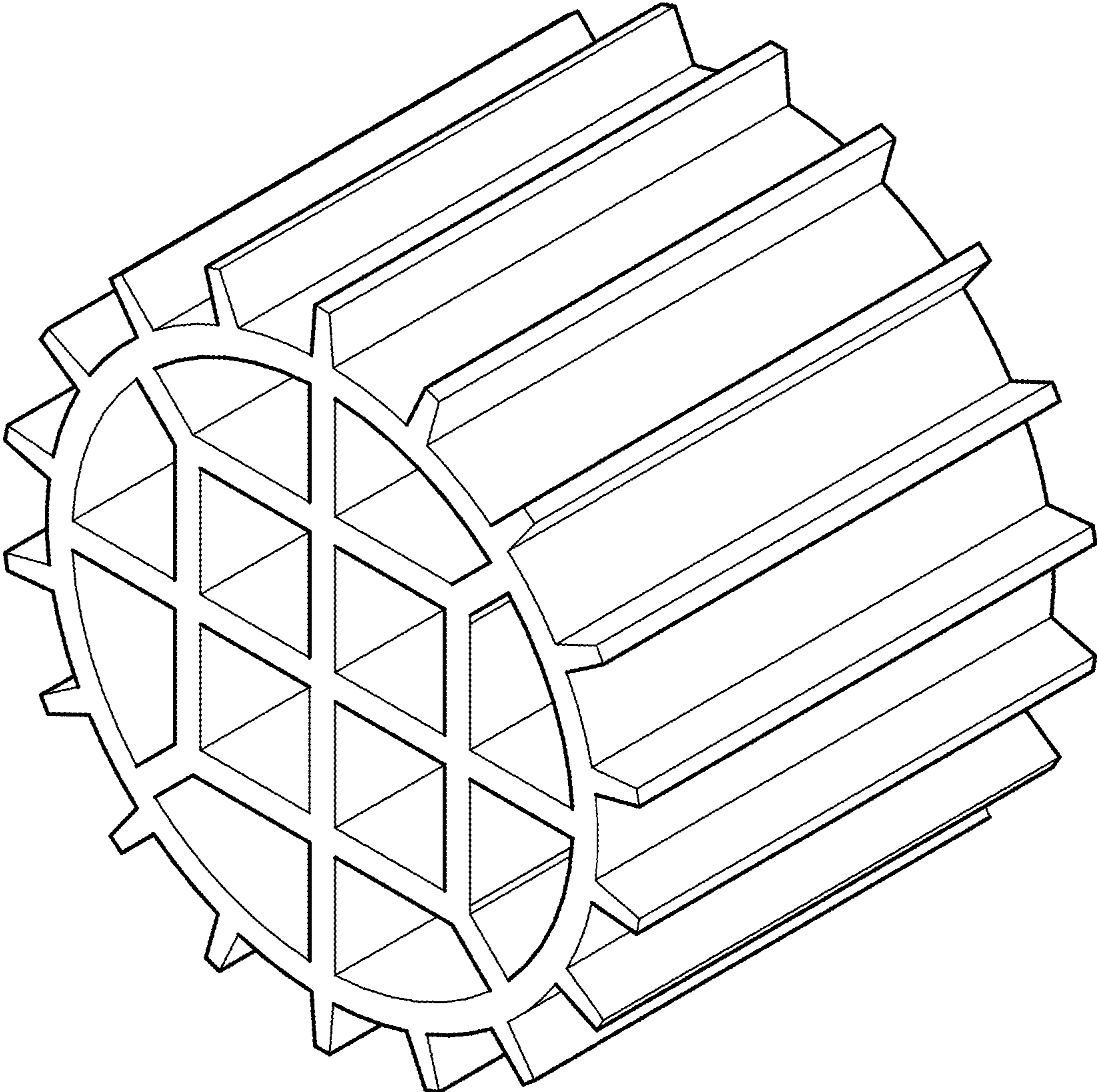


FIG. 1

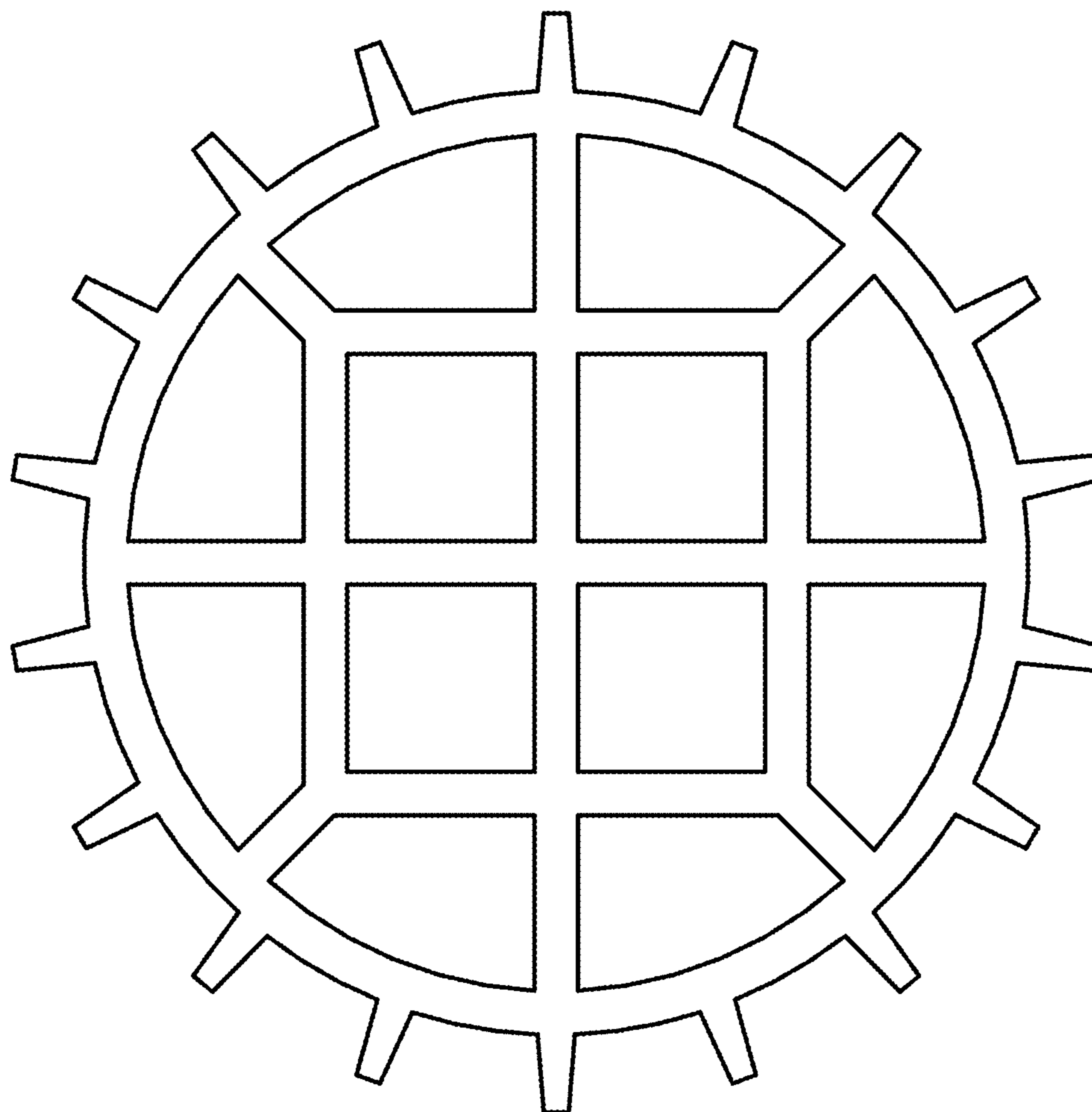


FIG. 2

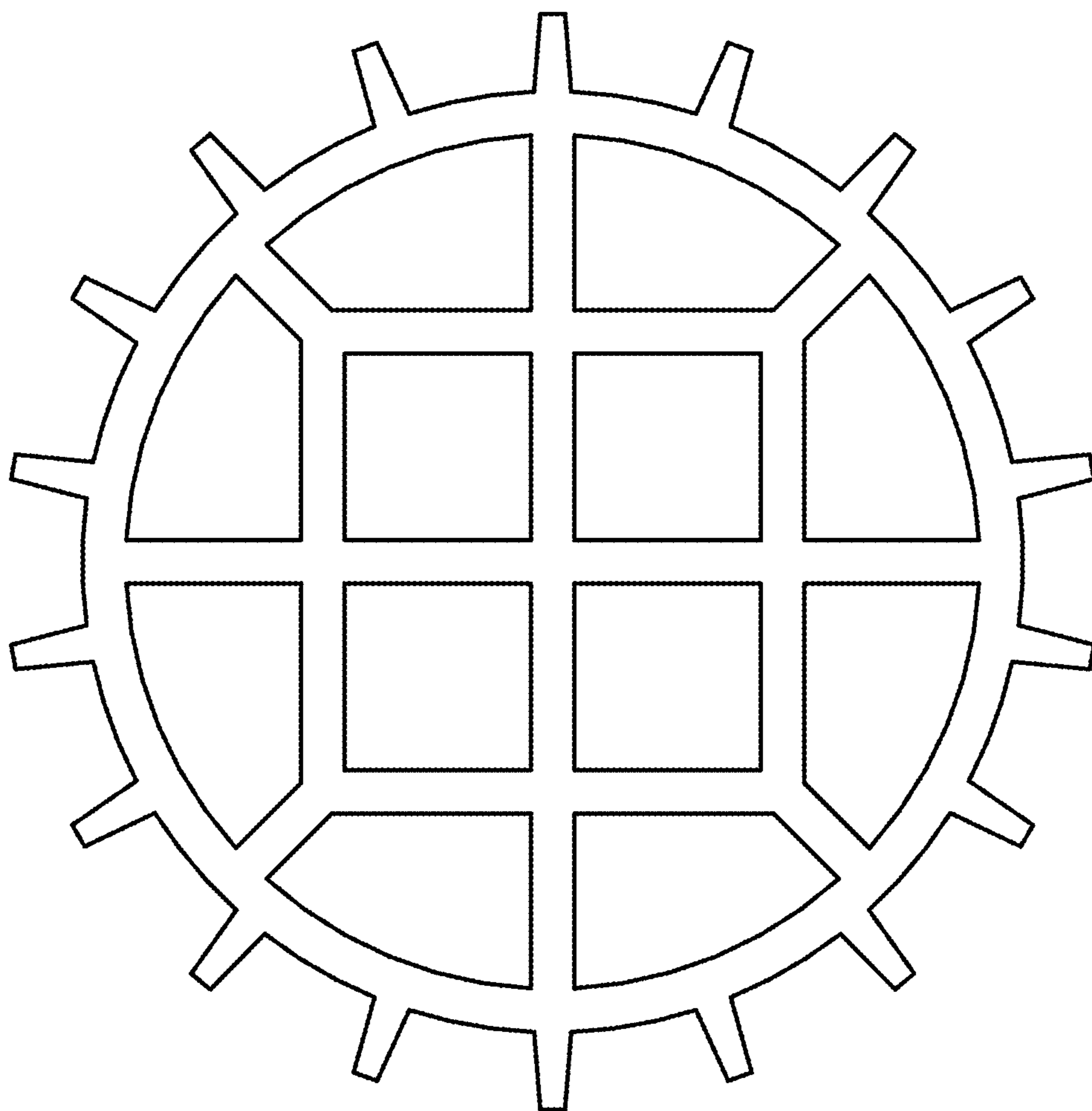


FIG. 3

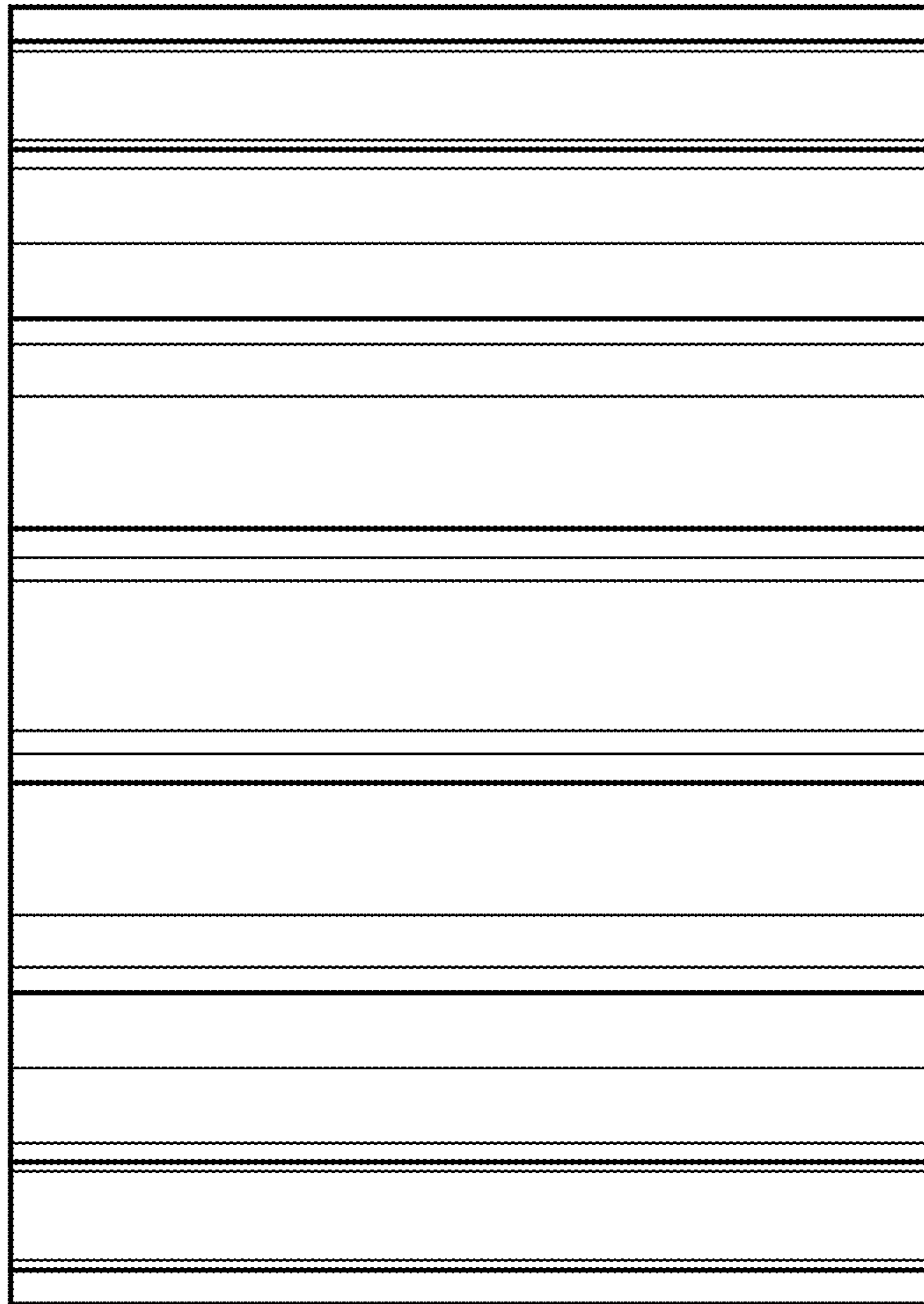


FIG. 4

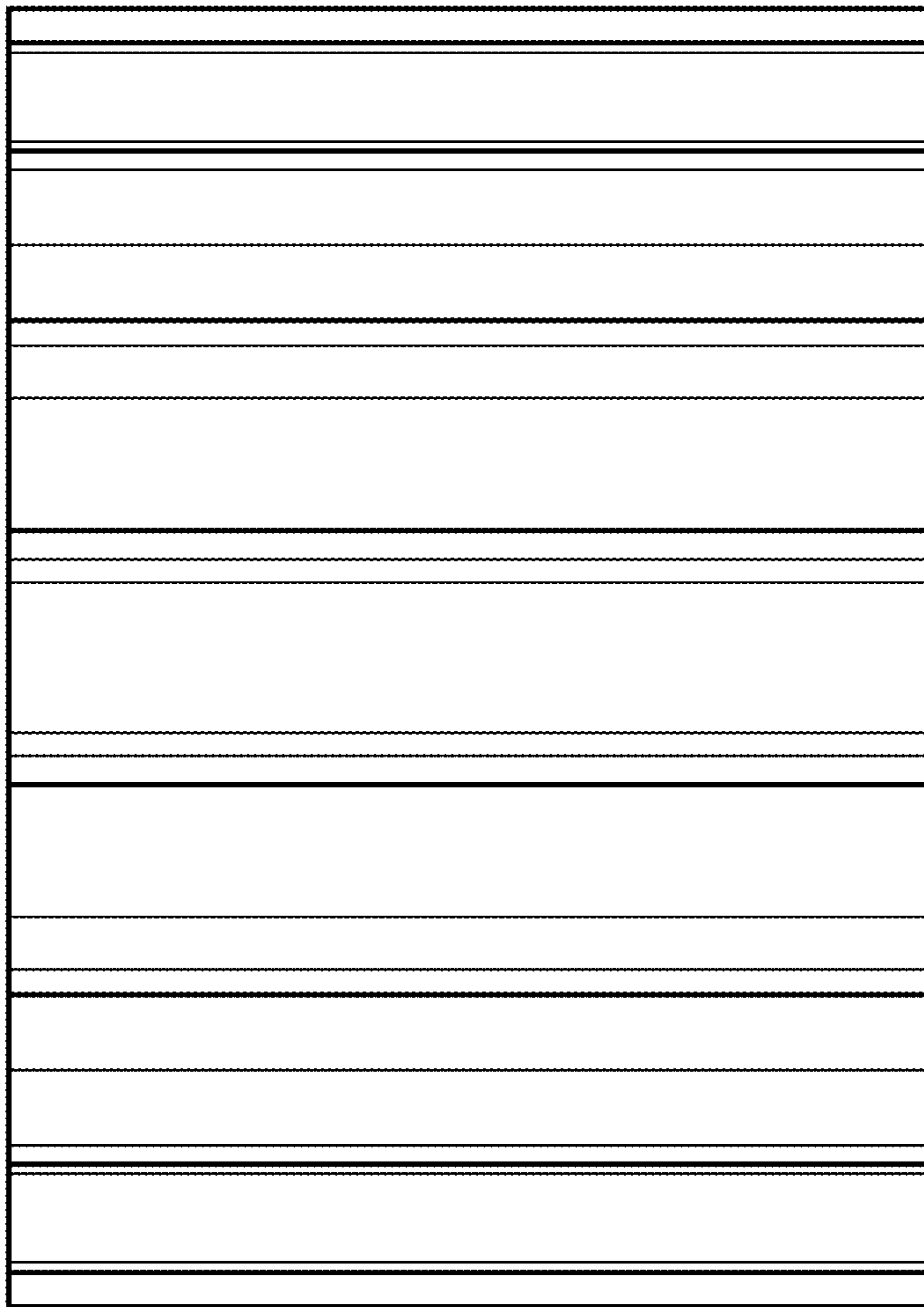


FIG. 5

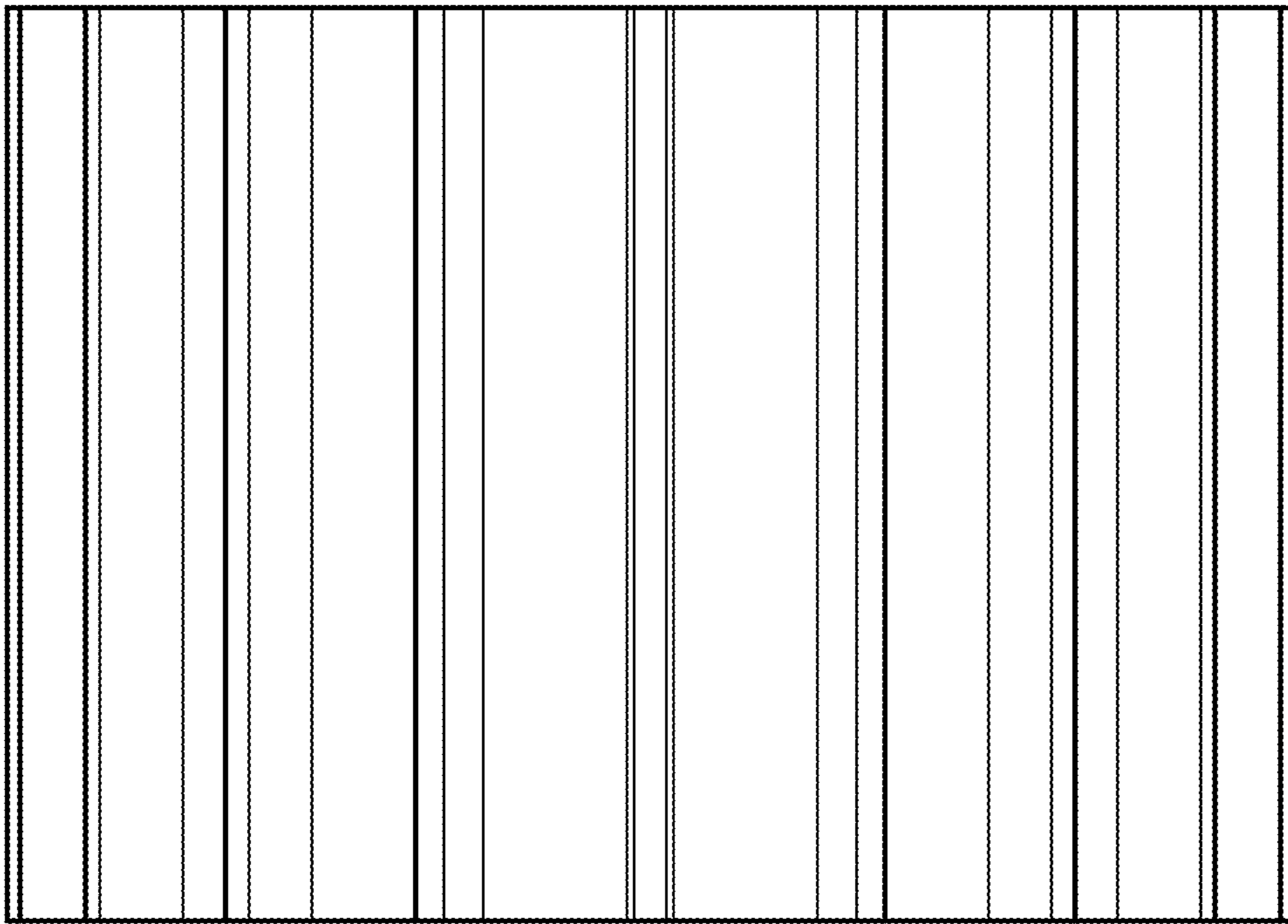


FIG. 6

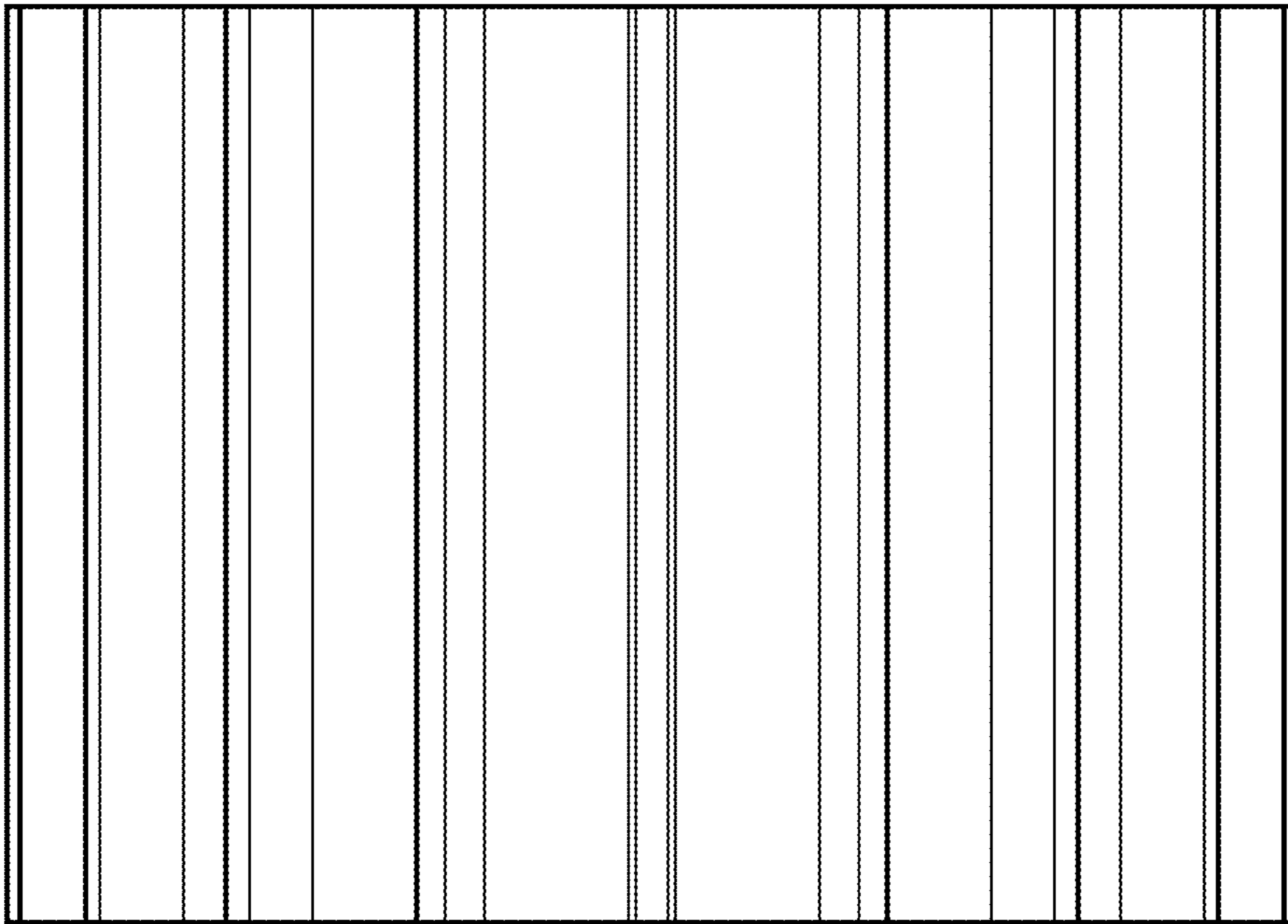


FIG. 7