



US00D785131S

(12) **United States Design Patent** (10) **Patent No.:** **US D785,131 S**
Cimino (45) **Date of Patent:** **** Apr. 25, 2017**

(54) **SPOUT**
(71) Applicant: **John Arthur Cimino**, Denver, CO (US)
(72) Inventor: **John Arthur Cimino**, Denver, CO (US)
(**) Term: **15 Years**
(21) Appl. No.: **29/552,499**
(22) Filed: **Jan. 22, 2016**
(51) **LOC (10) Cl.** **23-01**
(52) **U.S. Cl.**
USPC **D23/200; D23/213**
(58) **Field of Classification Search**
USPC D23/223, 213, 200, 208, 209, 225, 226,
D23/207; 219/232, 497; D5/32, 37
CPC .. B05B 1/18; B05B 1/20; B05B 1/205; B01D
17/00; B01D 61/025; B01D 635/30; C02F
1/441; C02F 1/003; A47K 5/06; B67D
7/0205
See application file for complete search history.

7,543,763 B1 * 6/2009 Wu B05B 1/3006
138/45
D677,361 S * 3/2013 Christopher D23/213
D684,240 S * 6/2013 Stein D23/213
D707,793 S * 6/2014 von der Lancken D23/213
D727,464 S * 4/2015 Hanna D23/213
D749,697 S * 2/2016 Wojan D23/223
D754,487 S * 4/2016 Gascoine D7/629
D754,488 S * 4/2016 Gascoine D7/629
2005/0224406 A1 * 10/2005 Takagi B05B 1/16
210/424
2007/0095932 A1 * 5/2007 Turnbull B05B 7/2408
239/8
2009/0071111 A1 * 3/2009 Lundgren B01D 46/0046
55/385.4
2013/0062437 A1 * 3/2013 Hanna B05B 1/18
239/289

(Continued)

Primary Examiner — Robin V Webster
Assistant Examiner — Rachel Voorhies

(57) **CLAIM**

The ornamental design for a spout, as shown and described.

DESCRIPTION

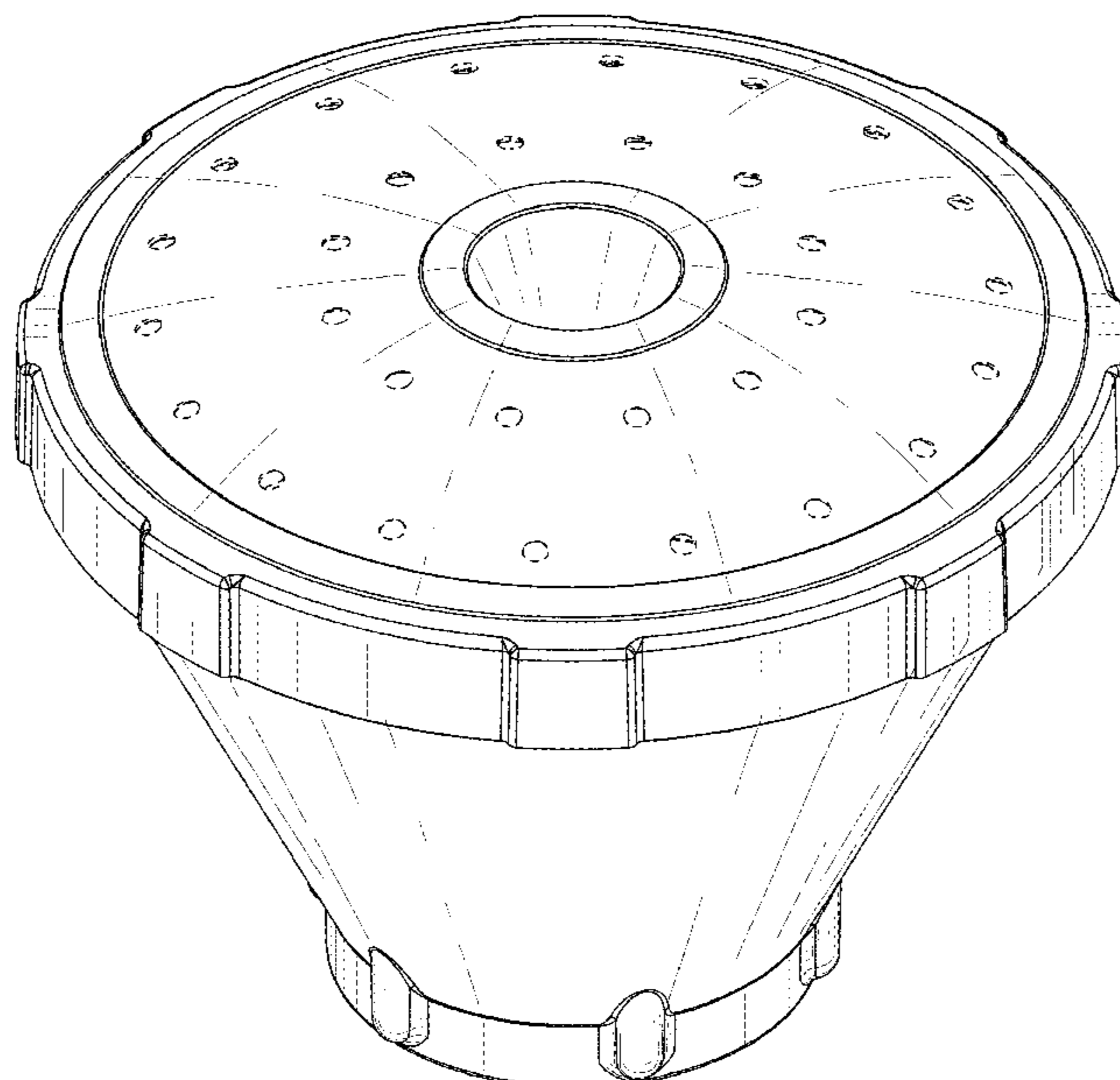
FIG. 1 is a perspective view of a spout showing my new design;
FIG. 2 is a front elevational view thereof;
FIG. 3 is a rear elevational view thereof;
FIG. 4 is a left side elevational view thereof;
FIG. 5 is a right side elevational view thereof;
FIG. 6 is a bottom plan view thereof;
FIG. 7 is a top plan view thereof;
FIG. 8 is an exploded perspective view thereof; and,
FIG. 9 is an exploded front perspective view thereof.
The broken line showing of a holes is included for the purpose of illustrating environmental structure and forms no part of the claimed design.

1 Claim, 9 Drawing Sheets

(56) **References Cited**

U.S. PATENT DOCUMENTS

D127,474 S * 5/1941 Holden D23/213
D142,841 S * 11/1945 D'Algodt D23/213
D266,400 S * 10/1982 Shatz D15/152
D306,951 S * 4/1990 Brandstrom D23/200
D309,241 S * 7/1990 Ayyoubi D23/200
D309,558 S * 7/1990 Ayyoubi D23/200
D371,824 S * 7/1996 Price D23/207
6,085,988 A * 7/2000 Marsh B05B 1/02
239/17
6,251,296 B1 * 6/2001 Conrad A47L 9/1683
15/351
D480,783 S * 10/2003 Sciulli D23/213
D537,916 S * 3/2007 Buttgen D23/213
D562,937 S * 2/2008 Schonherr D23/213



(56)

References Cited

U.S. PATENT DOCUMENTS

2015/0053790 A1* 2/2015 Hanna B05B 1/18
239/289
2015/0208152 A1* 7/2015 Hanna B05B 1/185
239/289

* cited by examiner

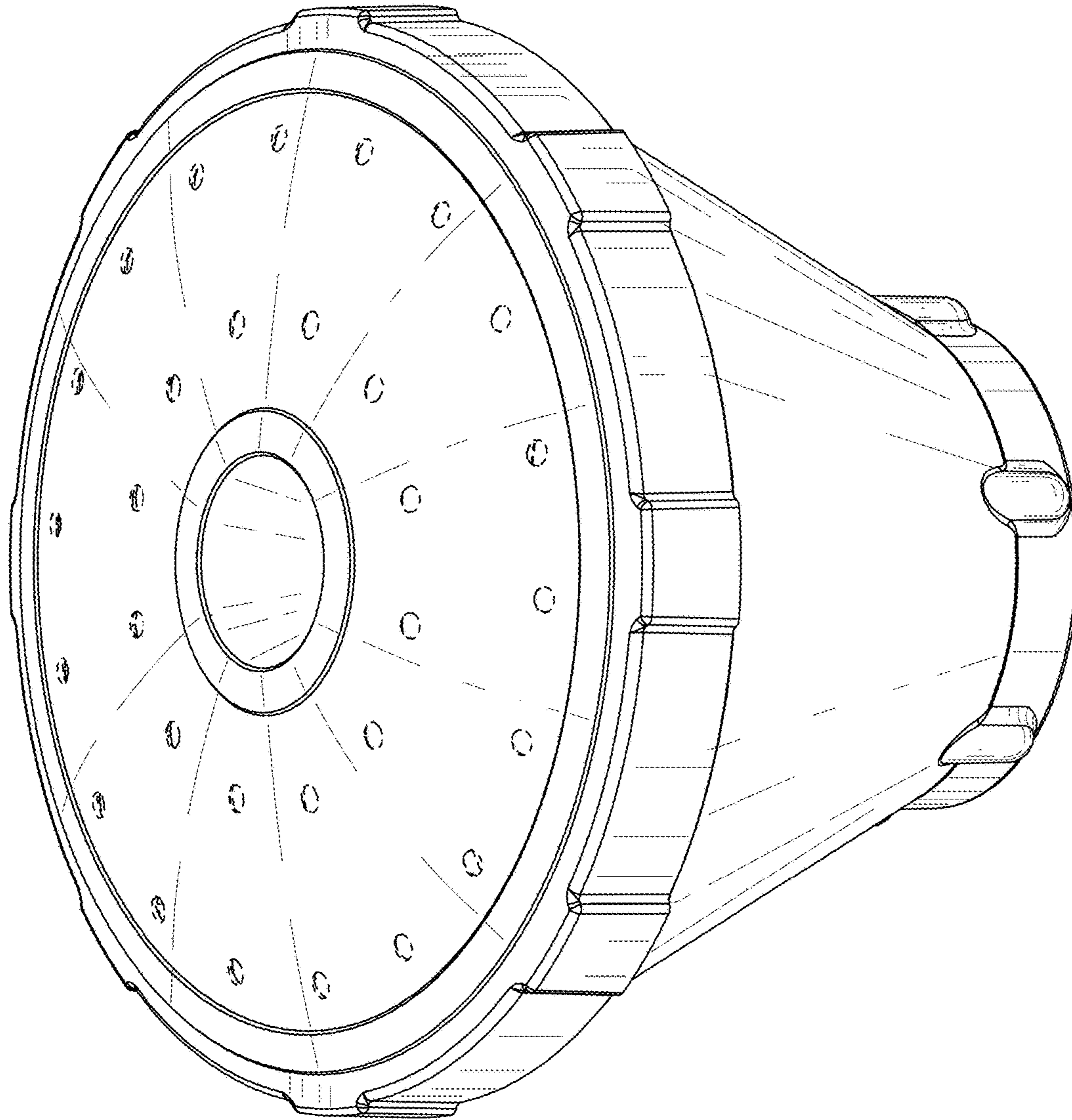


FIG. 1

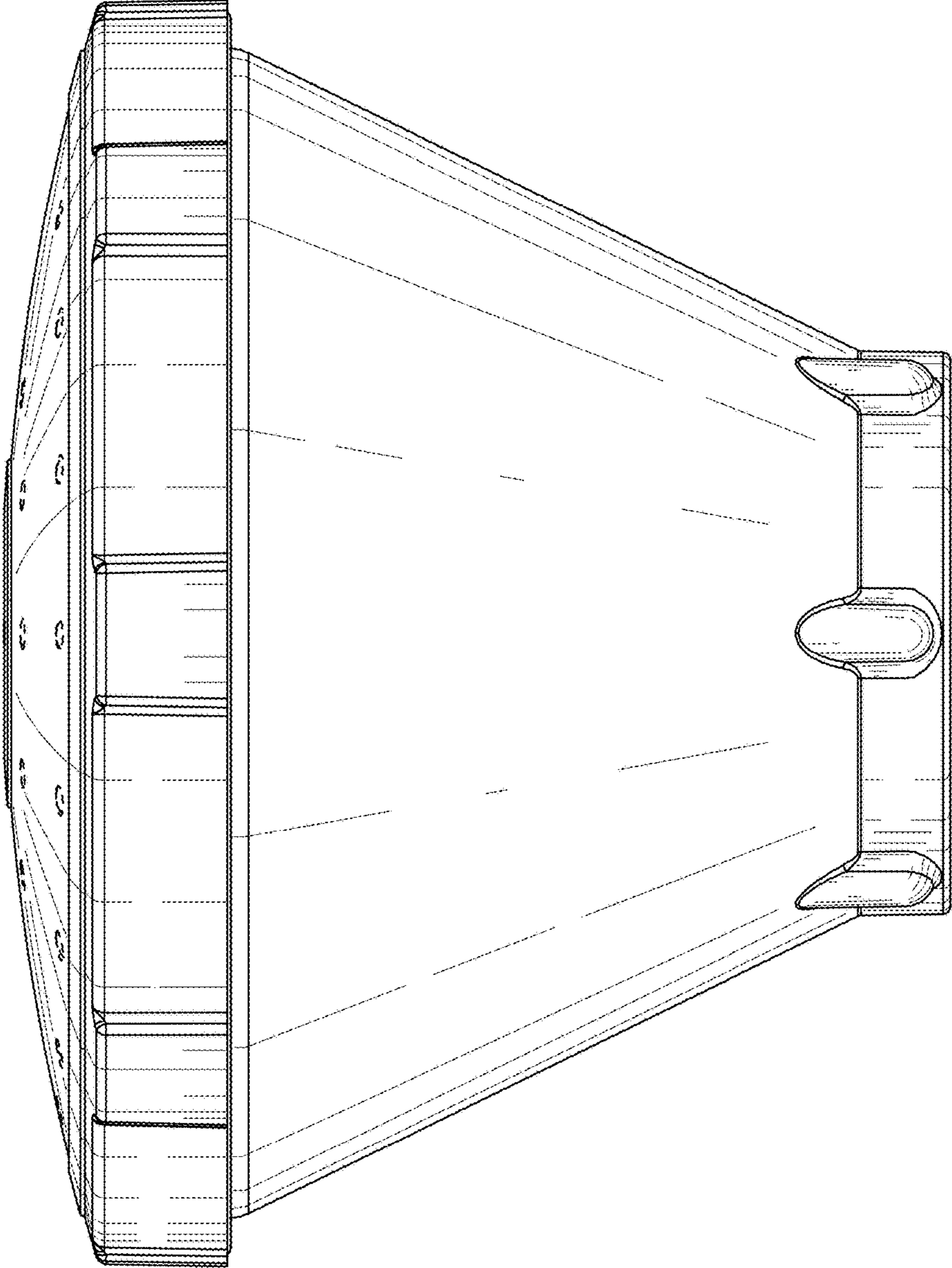


FIG. 2

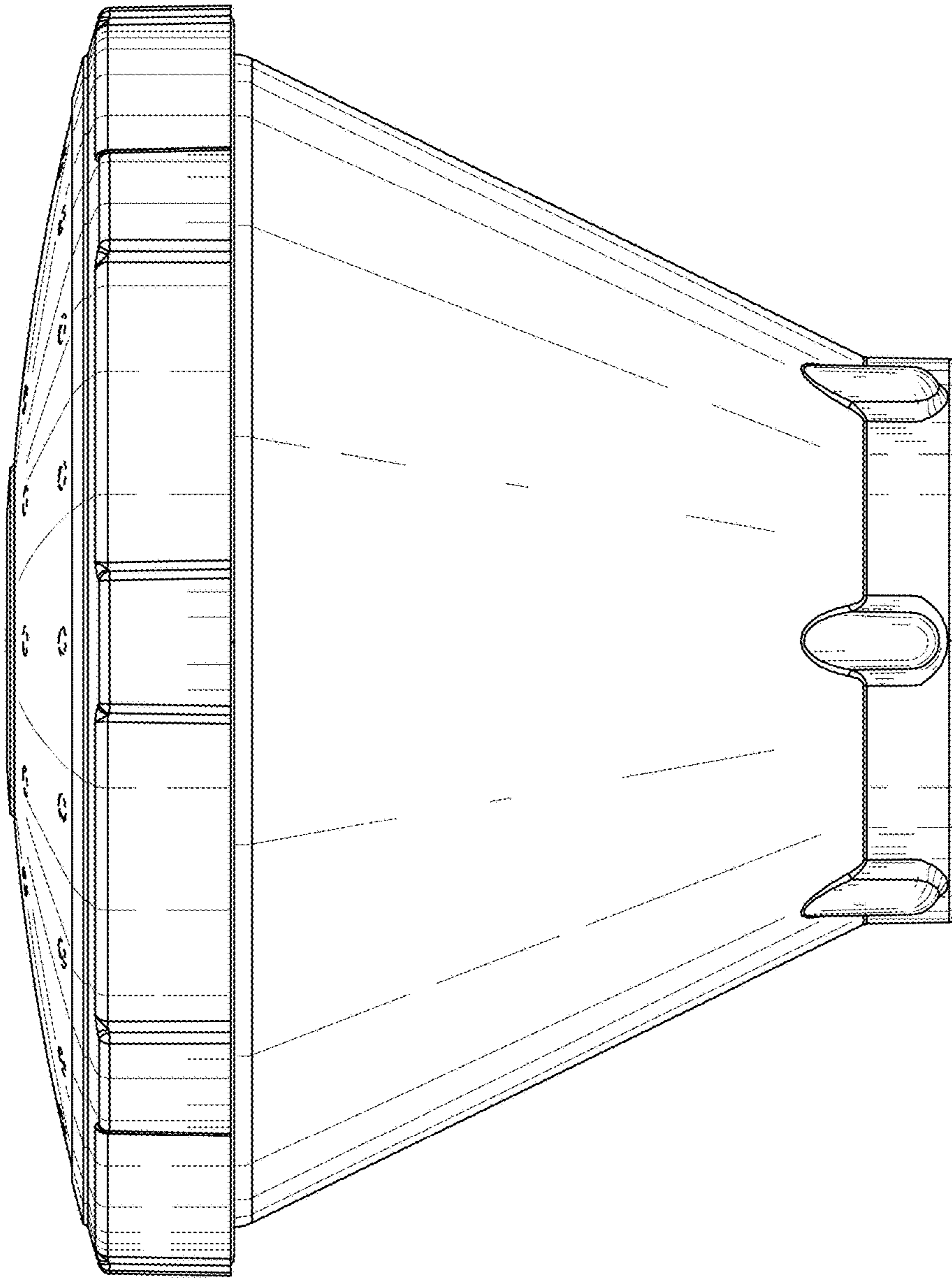


FIG. 3

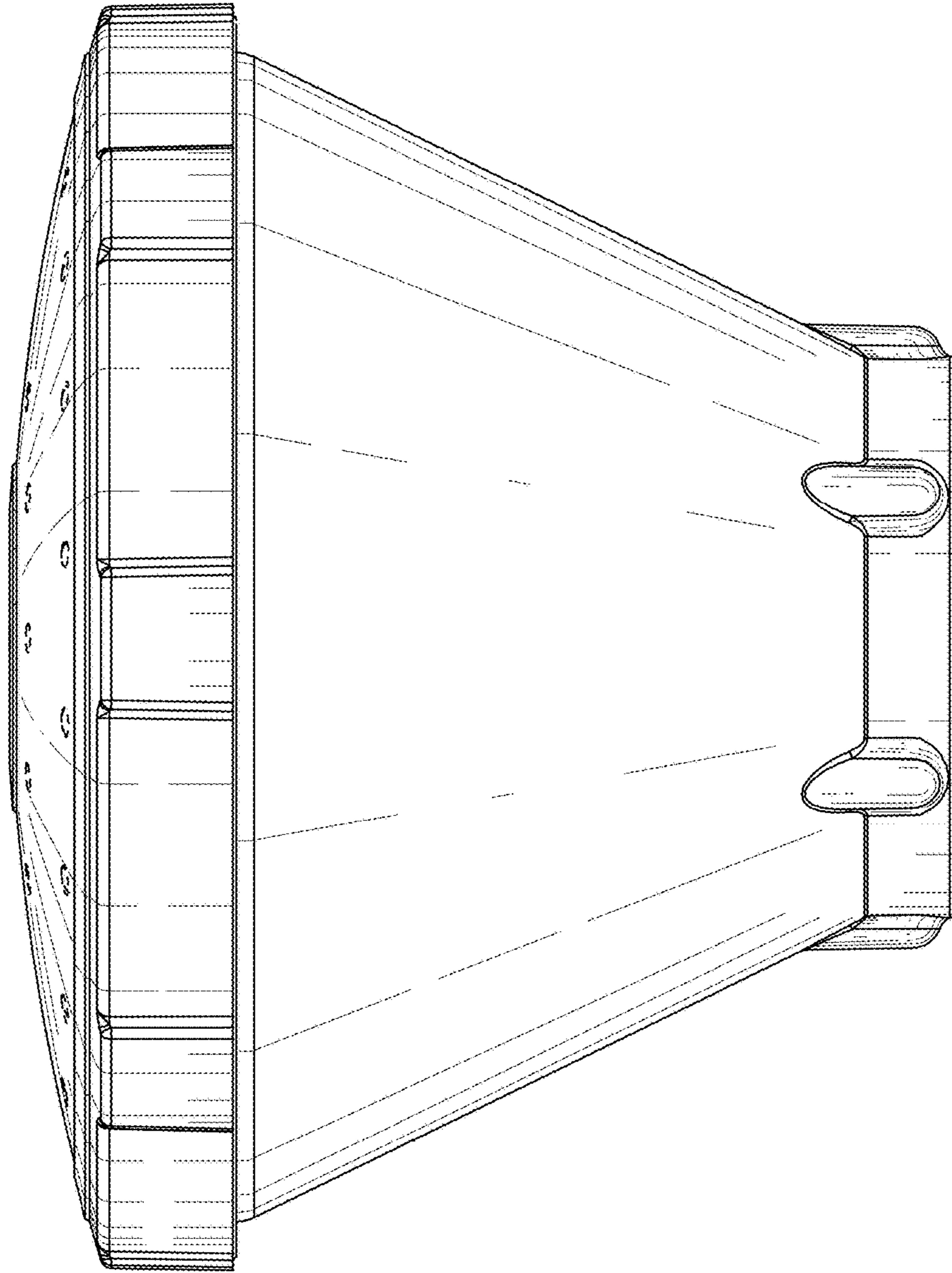


FIG. 4

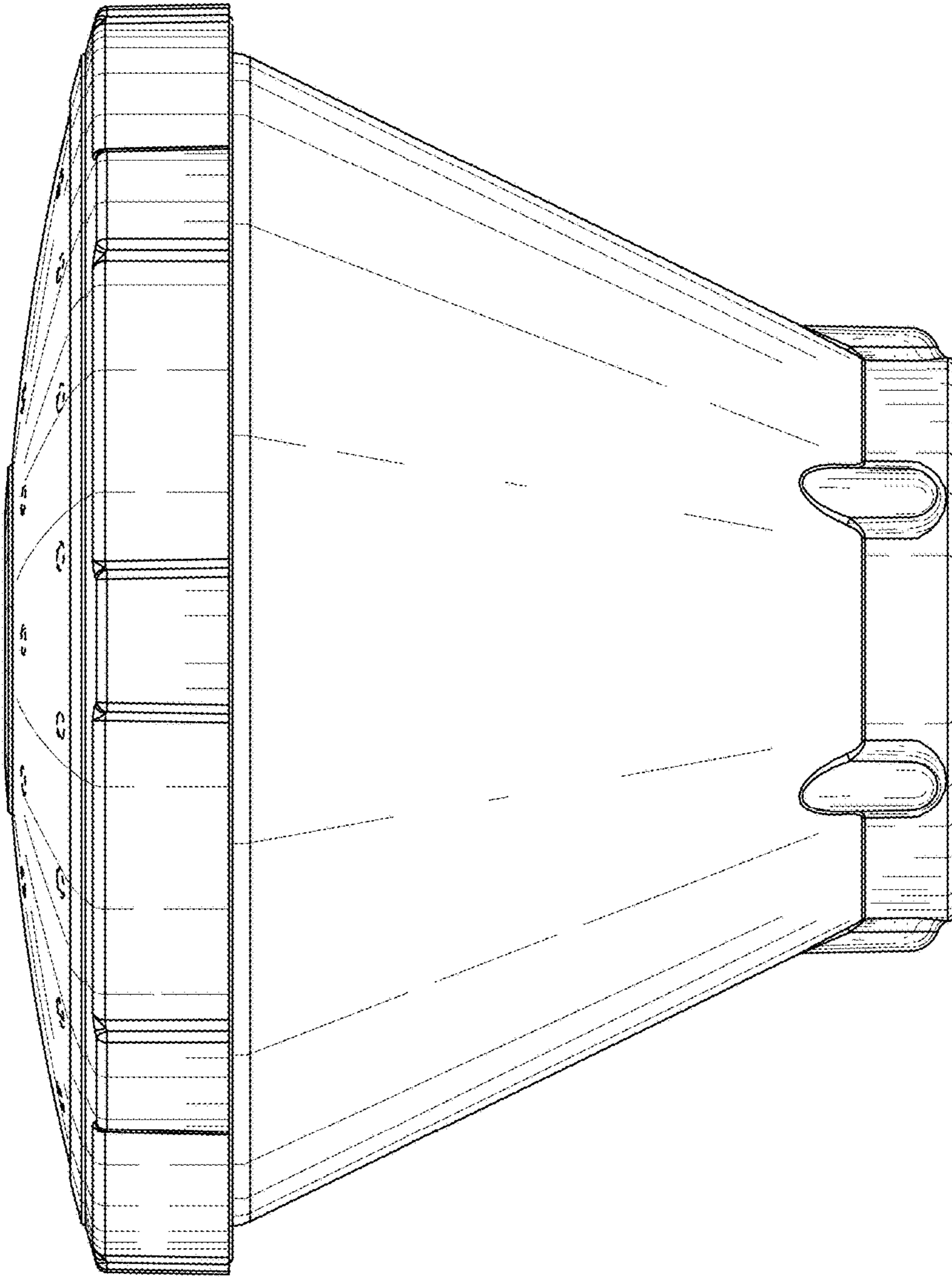


FIG. 5

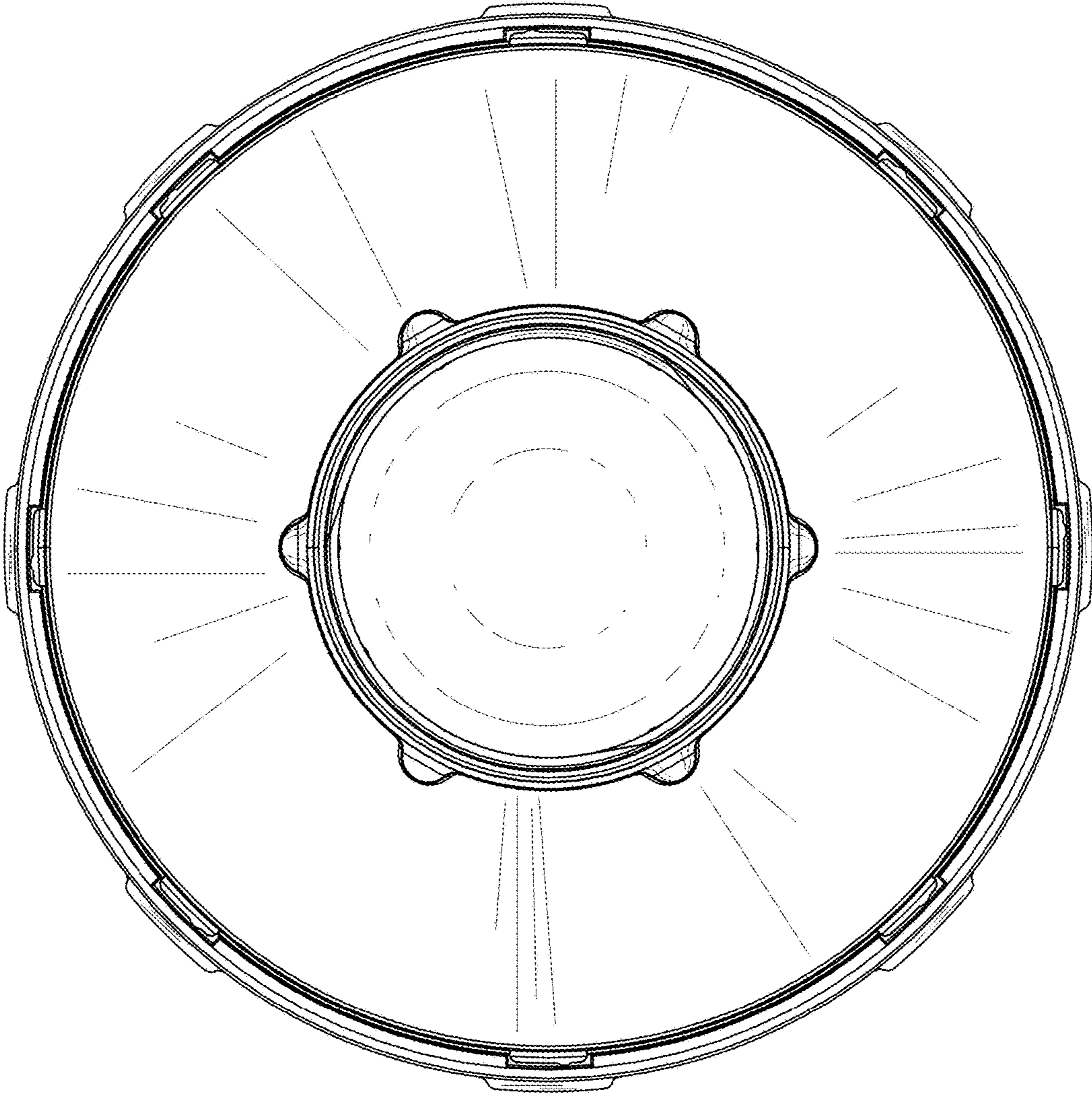


FIG. 6

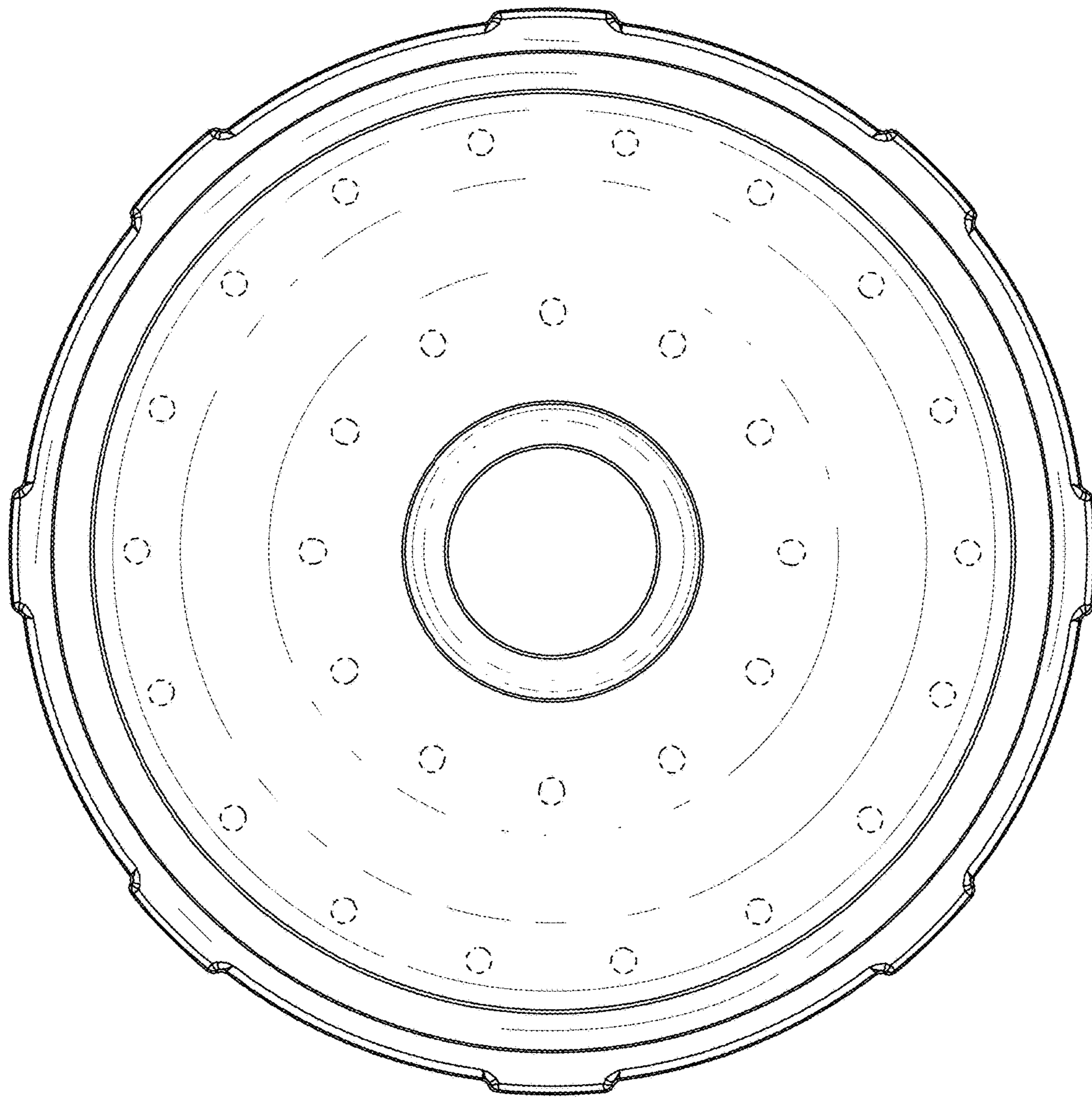


FIG. 7

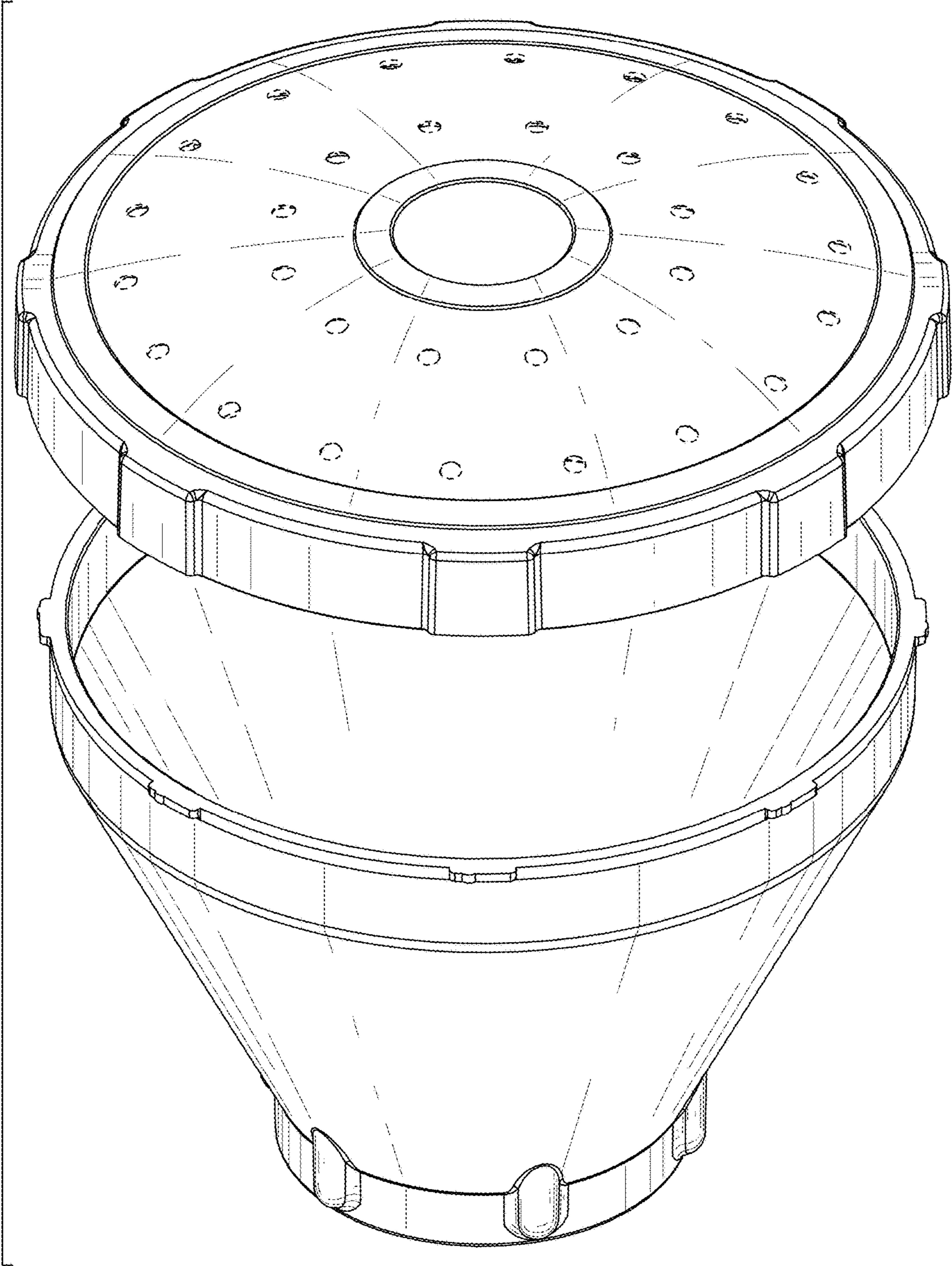


FIG. 8

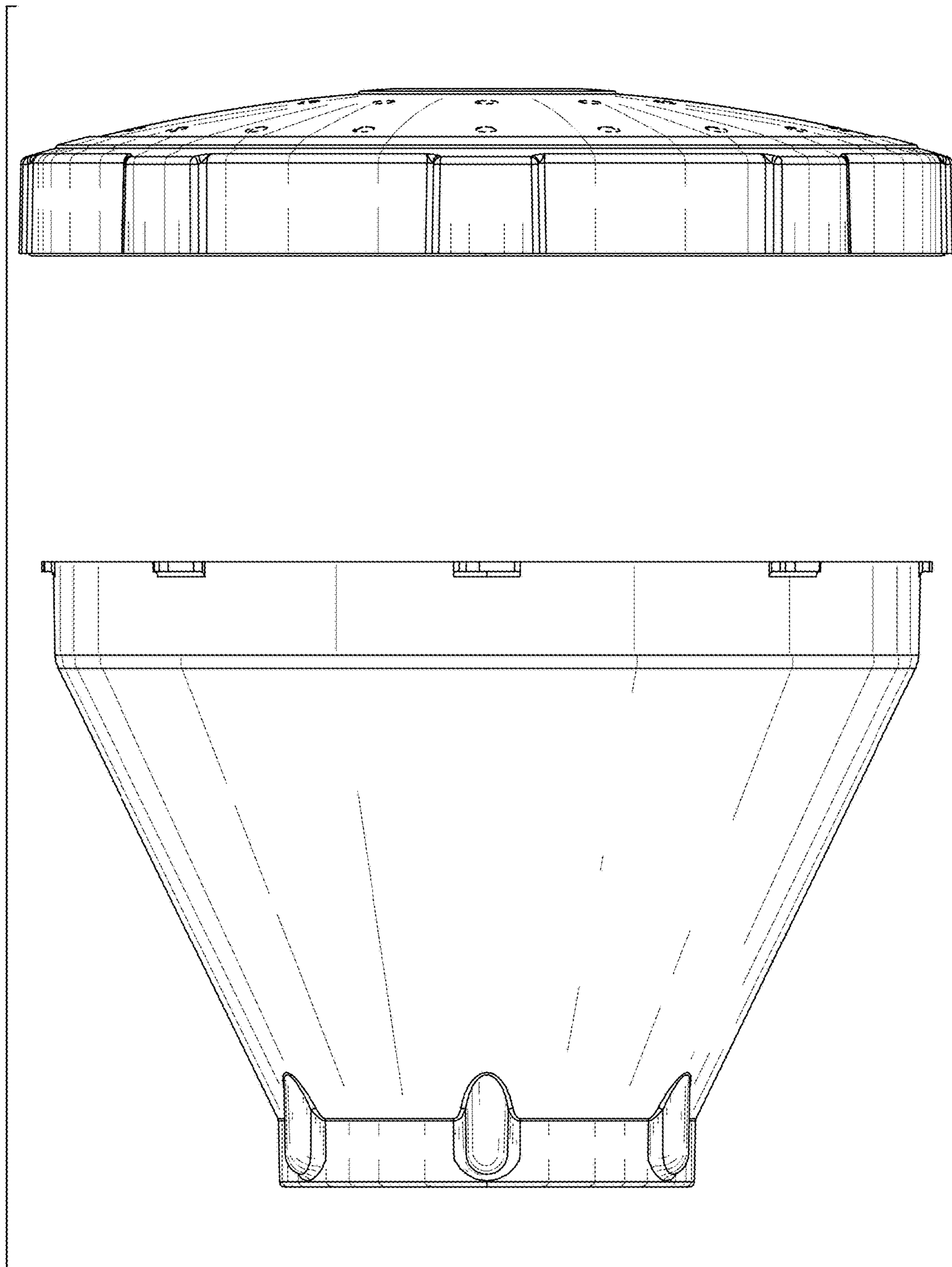


FIG. 9