



US00D785130S

(12) **United States Design Patent**
Deguchi et al.

(10) **Patent No.:** **US D785,130 S**
(45) **Date of Patent:** **** Apr. 25, 2017**

(54) **FISHING REEL PORTION**

DESCRIPTION

(71) Applicant: **Shimano Inc.**, Sakai, Osaka (JP)

(72) Inventors: **Tomoya Deguchi**, Osaka (JP);
Masakazu Iwabuchi, Osaka (JP)

(73) Assignee: **Shimano Inc.**, Osaka (JP)

(**) Term: **15 Years**

(21) Appl. No.: **29/554,856**

(22) Filed: **Feb. 16, 2016**

(30) **Foreign Application Priority Data**

Sep. 24, 2015 (JP) 2015-020950

(51) **LOC (10) Cl.** **22-05**

(52) **U.S. Cl.**
USPC **D22/141**

(58) **Field of Classification Search**
USPC D22/137-141; 242/310-316, 223-224,
242/230, 283, 322, 241-243, 227;
43/19-22

(Continued)

(56) **References Cited**

U.S. PATENT DOCUMENTS

D685,055 S * 6/2013 Deguchi D22/141
D725,229 S 3/2015 Deguchi et al.

(Continued)

FOREIGN PATENT DOCUMENTS

JP 1460514 S 1/2013

Primary Examiner — Catheri Oliver-Garcia

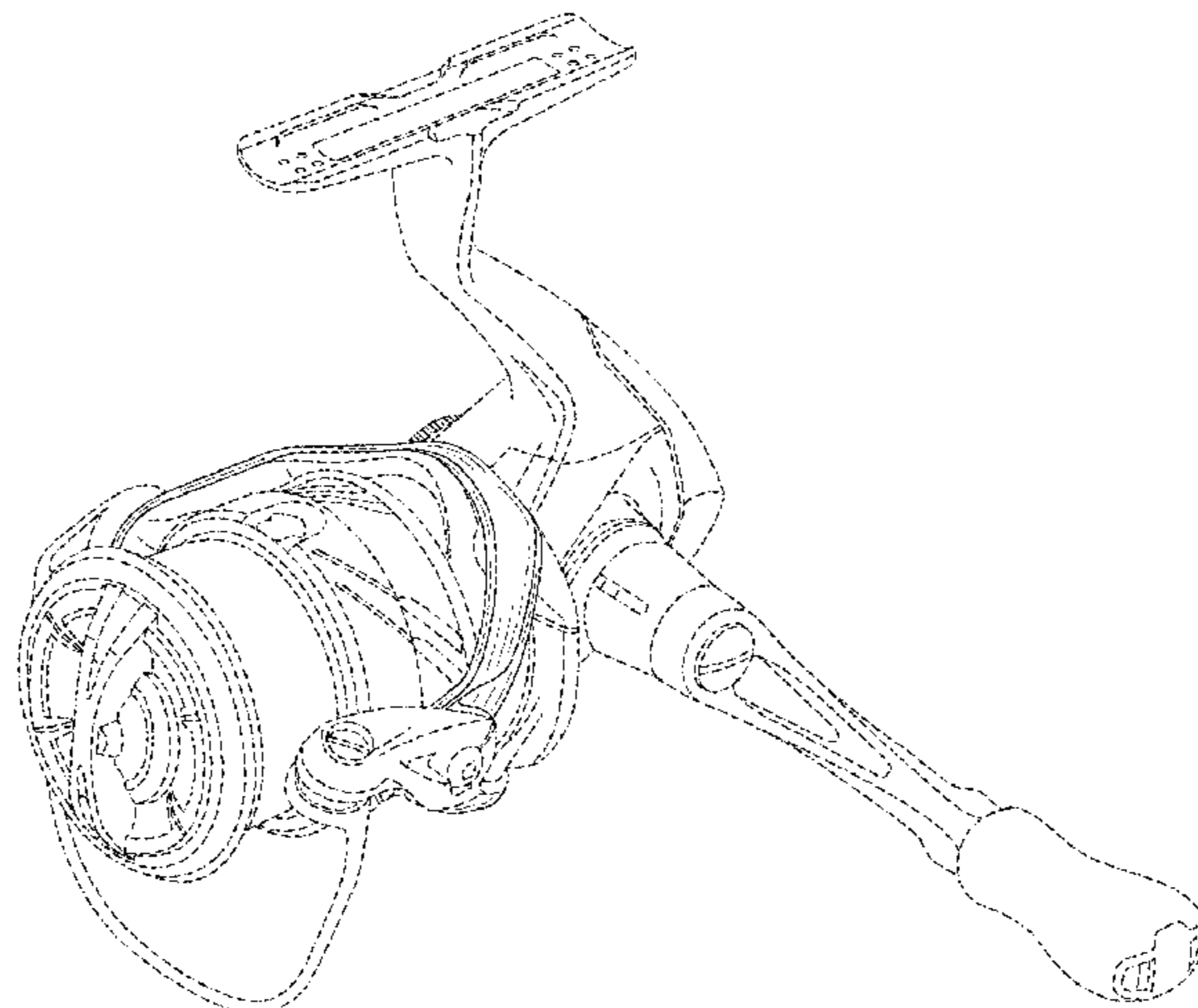
(74) *Attorney, Agent, or Firm* — Global IP Counselors,
LLP

(57) **CLAIM**

The ornamental design for fishing reel portion, as shown and described.

FIG. 1 is a first perspective view of a fishing reel portion in accordance with our new design; FIG. 2 is a second perspective view of the fishing reel portion illustrated in FIG. 1; FIG. 3 is a first side elevational view of the fishing reel portion illustrated in FIG. 1; FIG. 4 is a second side elevational view of the fishing reel portion illustrated in FIG. 1; FIG. 5 is a top plan view of the fishing reel portion illustrated in FIG. 1; FIG. 6 is a bottom plan view of the fishing reel portion illustrated in FIG. 1; FIG. 7 is a first end elevational view of the fishing reel portion illustrated in FIG. 1; FIG. 8 is a second end elevational view of the fishing reel portion illustrated in FIG. 1; FIG. 9 is an enlarged top plan view, similar to FIG. 5, of the fishing reel portion illustrated in FIG. 1; FIG. 10 is an enlarged bottom plan view, similar to FIG. 6, of the fishing reel portion illustrated in FIG. 1; FIG. 11 is an enlarged top plan view, similar to FIG. 5, of an alternate fishing reel portion, which is identical to the fishing reel portion illustrated in FIGS. 1 to 10, except that a boundary of the alternate fishing reel portion is shown in broken lines; and, FIG. 12 is an enlarged bottom plan view, similar to FIG. 6, of the alternate fishing reel portion, illustrated in FIG. 11. In the alternate fishing reel portion illustrated in FIGS. 11 and 12, the boundary does not form part of the claimed design. In other words, with respect to the alternate design of the fishing reel portion illustrated in FIGS. 11 and 12, it should be understood that the claimed design extends to the boundary but does not include the boundary shown in broken lines. In the drawings, the broken line illustration of the environmental structure (the remaining structure of the fishing reel) in the drawings is not part of the claimed design. The broken line portion of the fishing reel spool does not form part of the claimed design.

1 Claim, 7 Drawing Sheets



(58) **Field of Classification Search**

CPC A01K 89/00; A01K 89/01; A01K 89/06;
A01K 89/003; A01K 89/006; A01K
89/012; A01K 89/016; A01K 89/017;
A01K 89/033; A01K 91/02

See application file for complete search history.

(56) **References Cited**

U.S. PATENT DOCUMENTS

D767,086 S *	9/2016	Nago	D22/141
D776,232 S *	1/2017	Shimizu	D22/141
D776,785 S *	1/2017	Nagai	D22/141

* cited by examiner

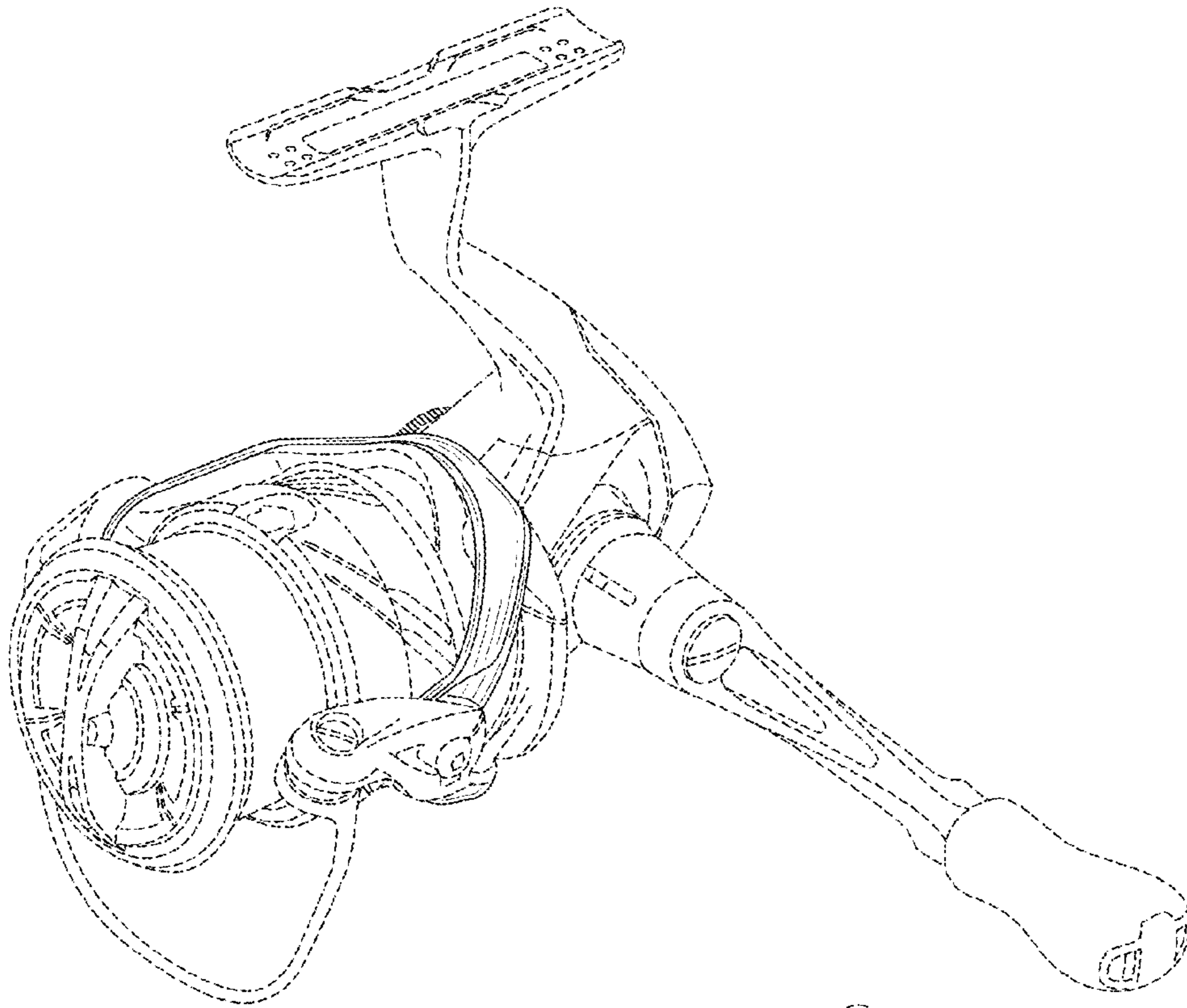


FIG. 1

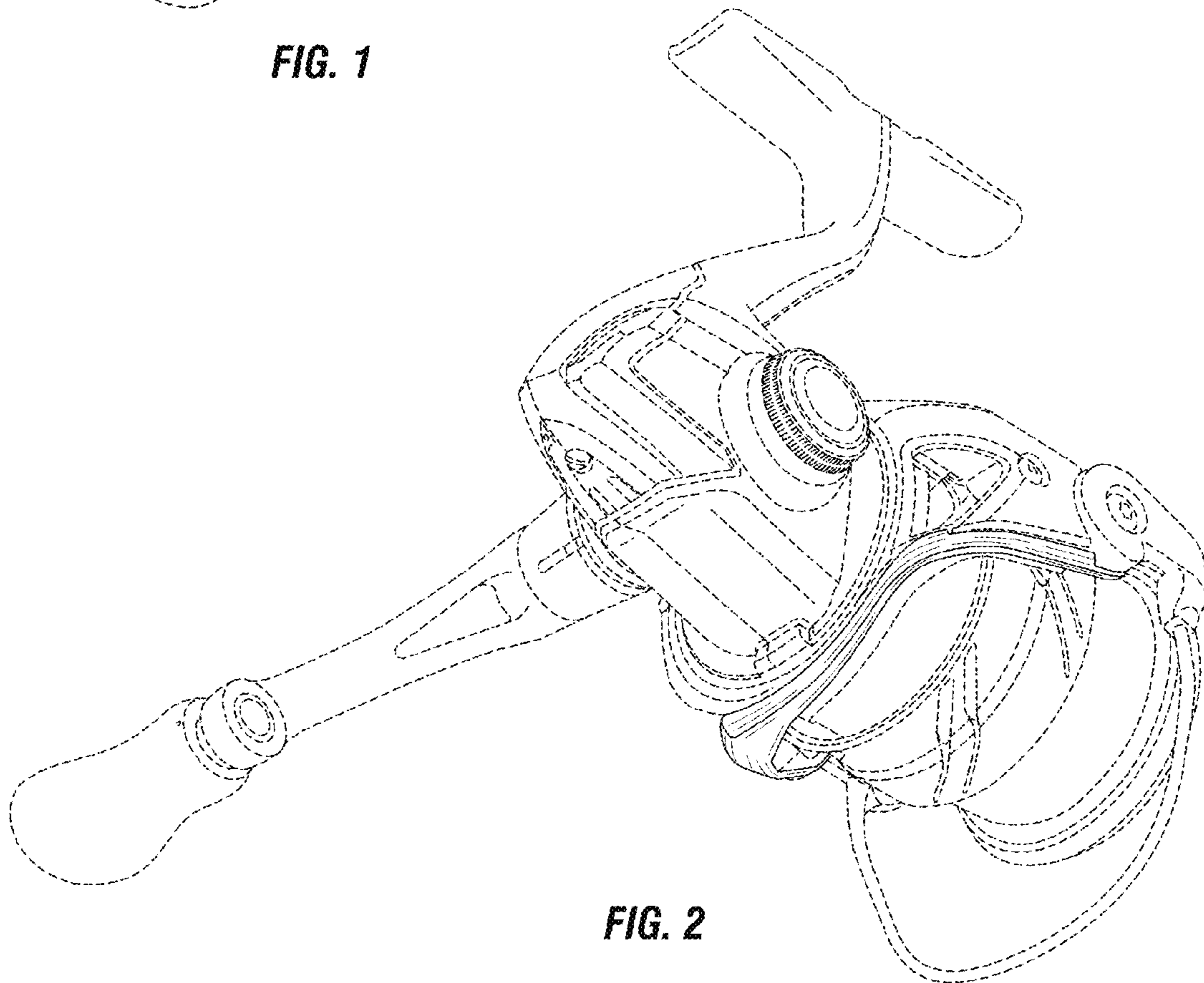
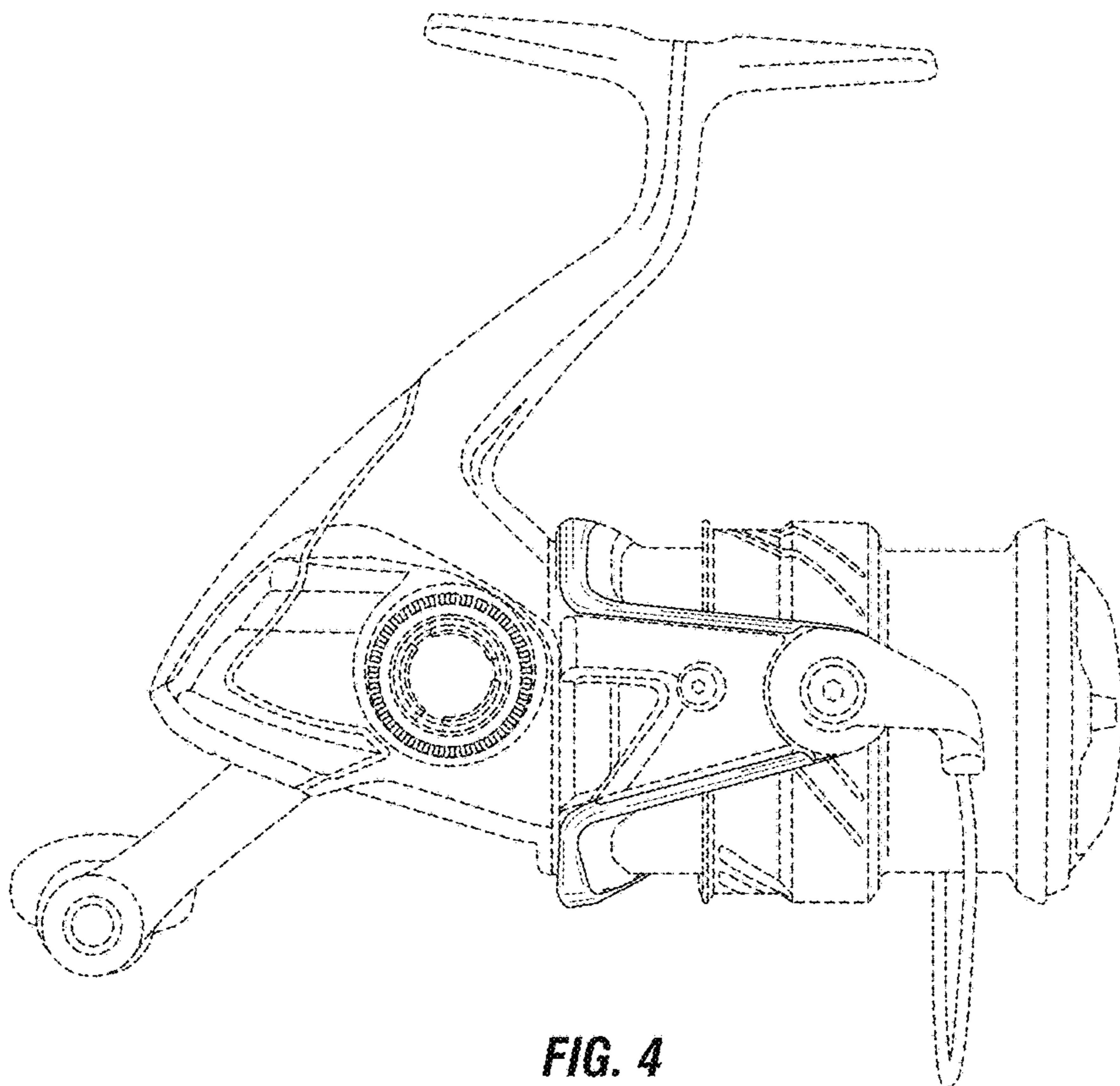
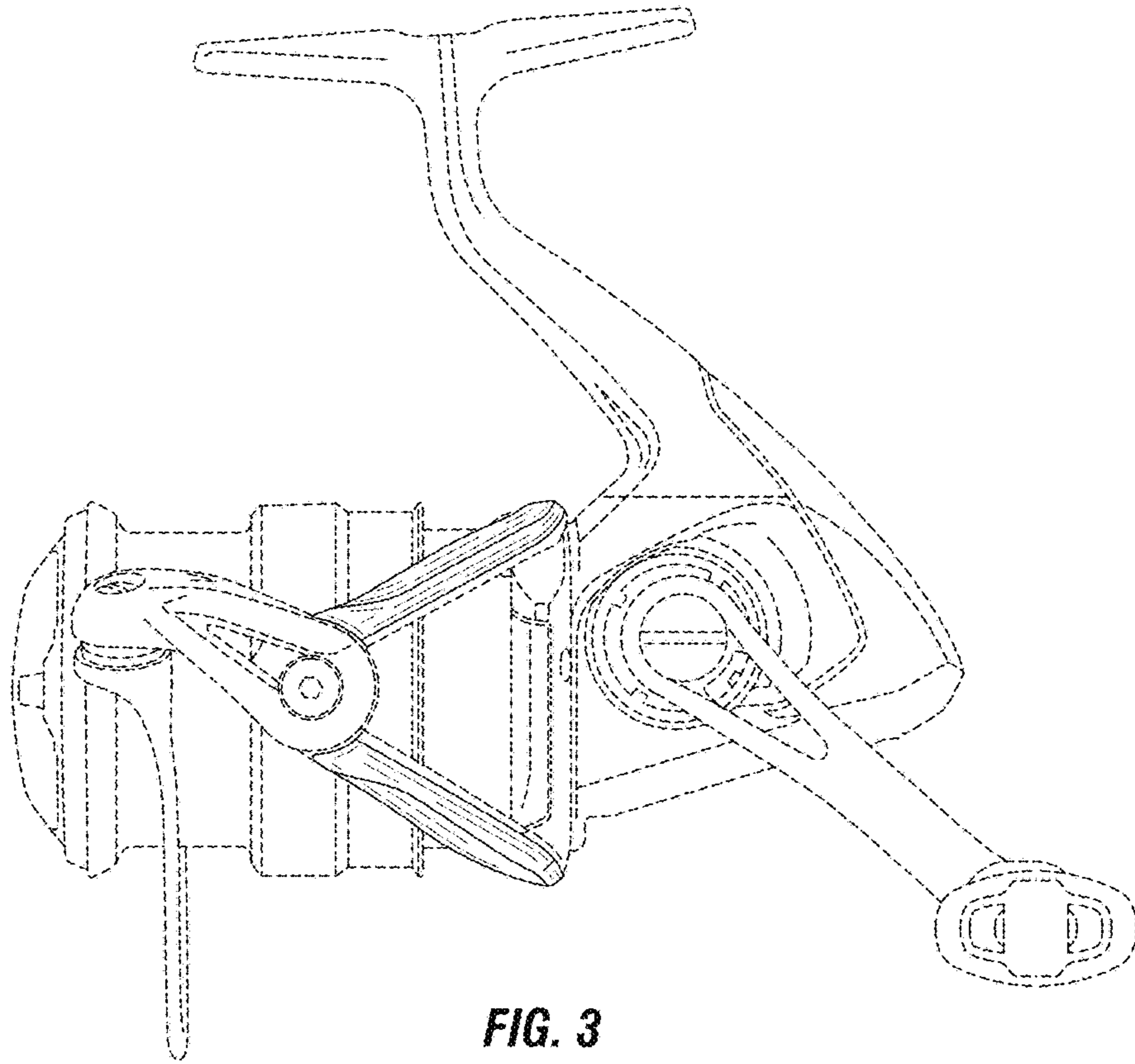


FIG. 2



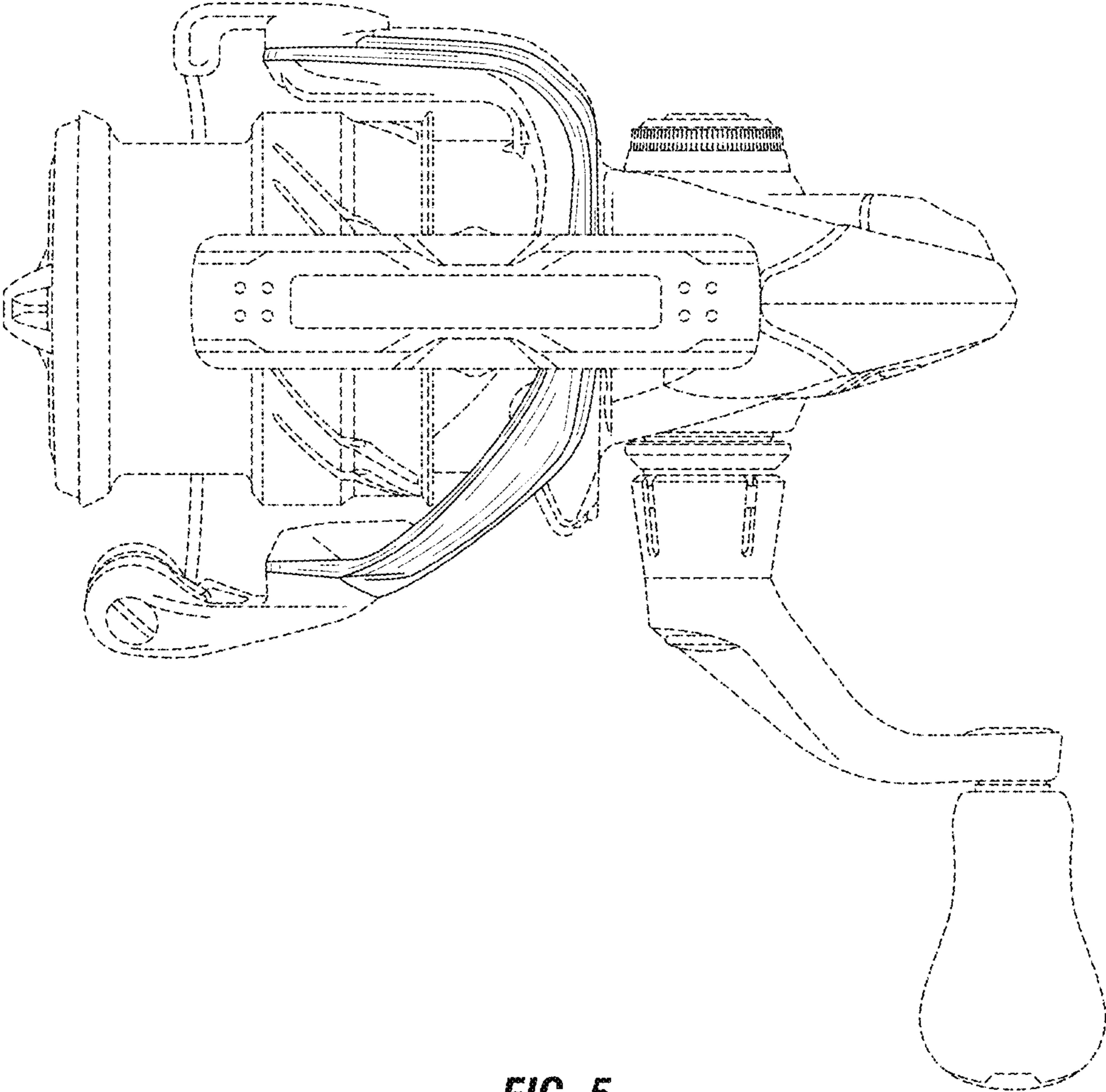


FIG. 5

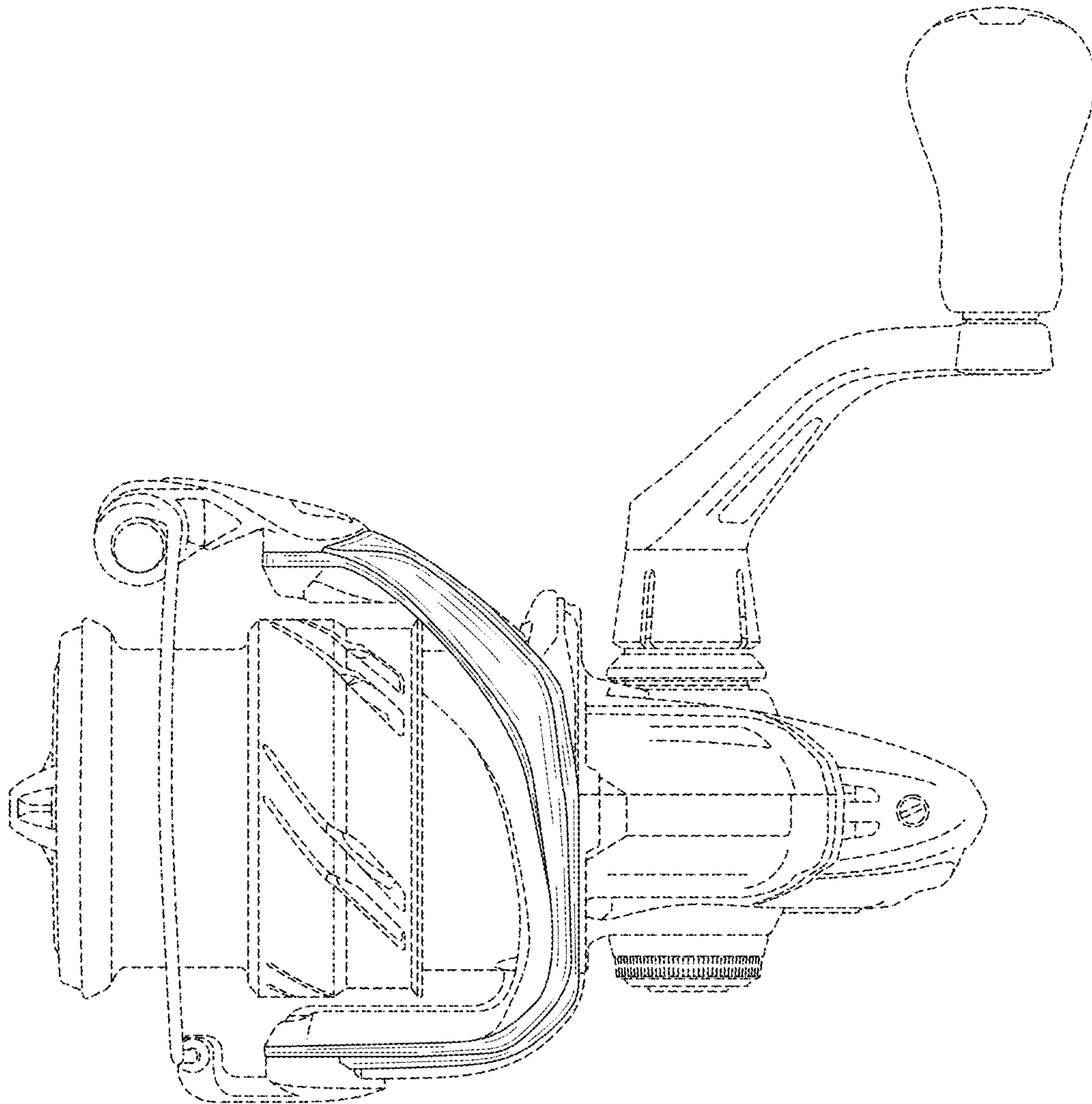


FIG. 6

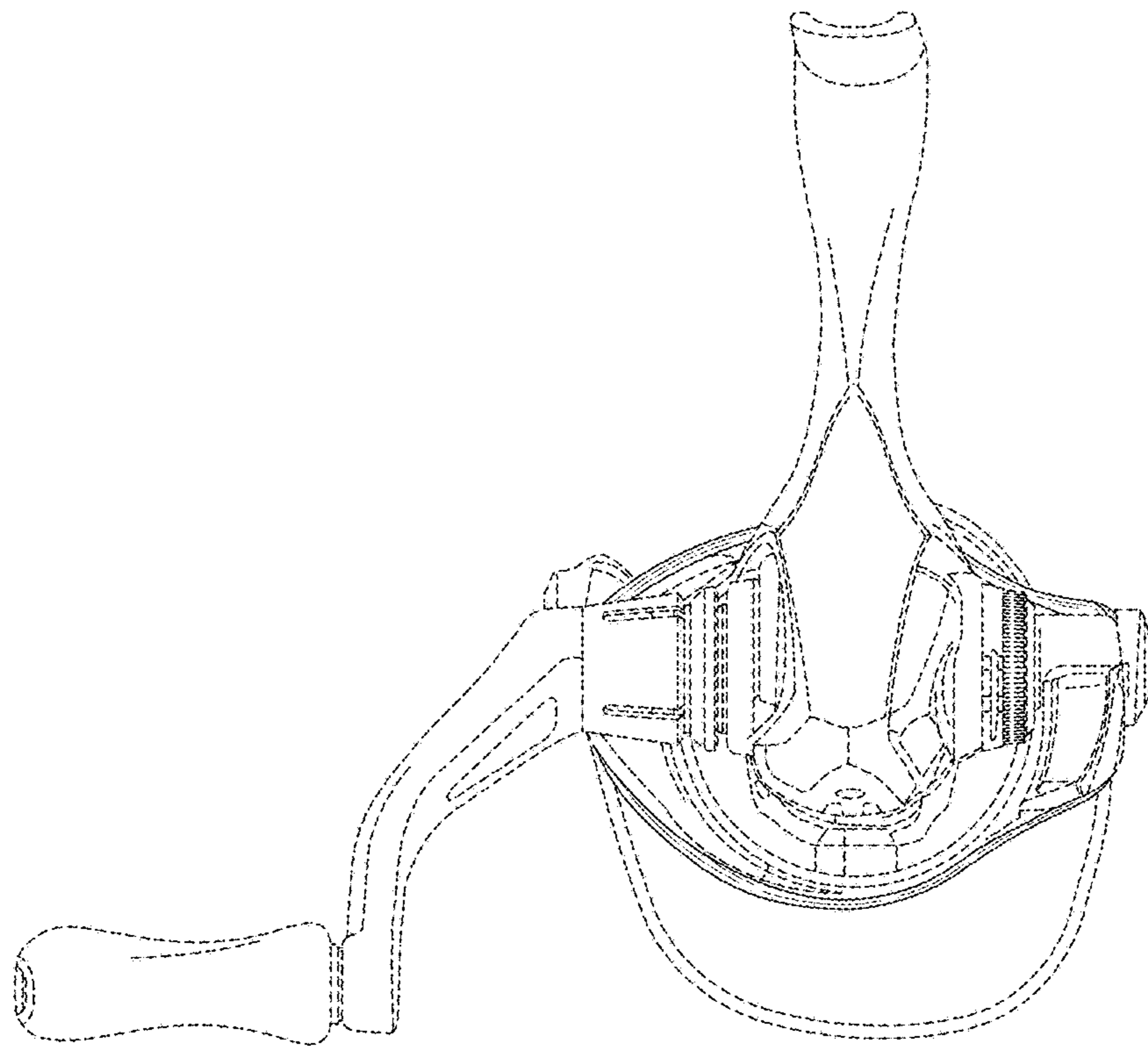


FIG. 7

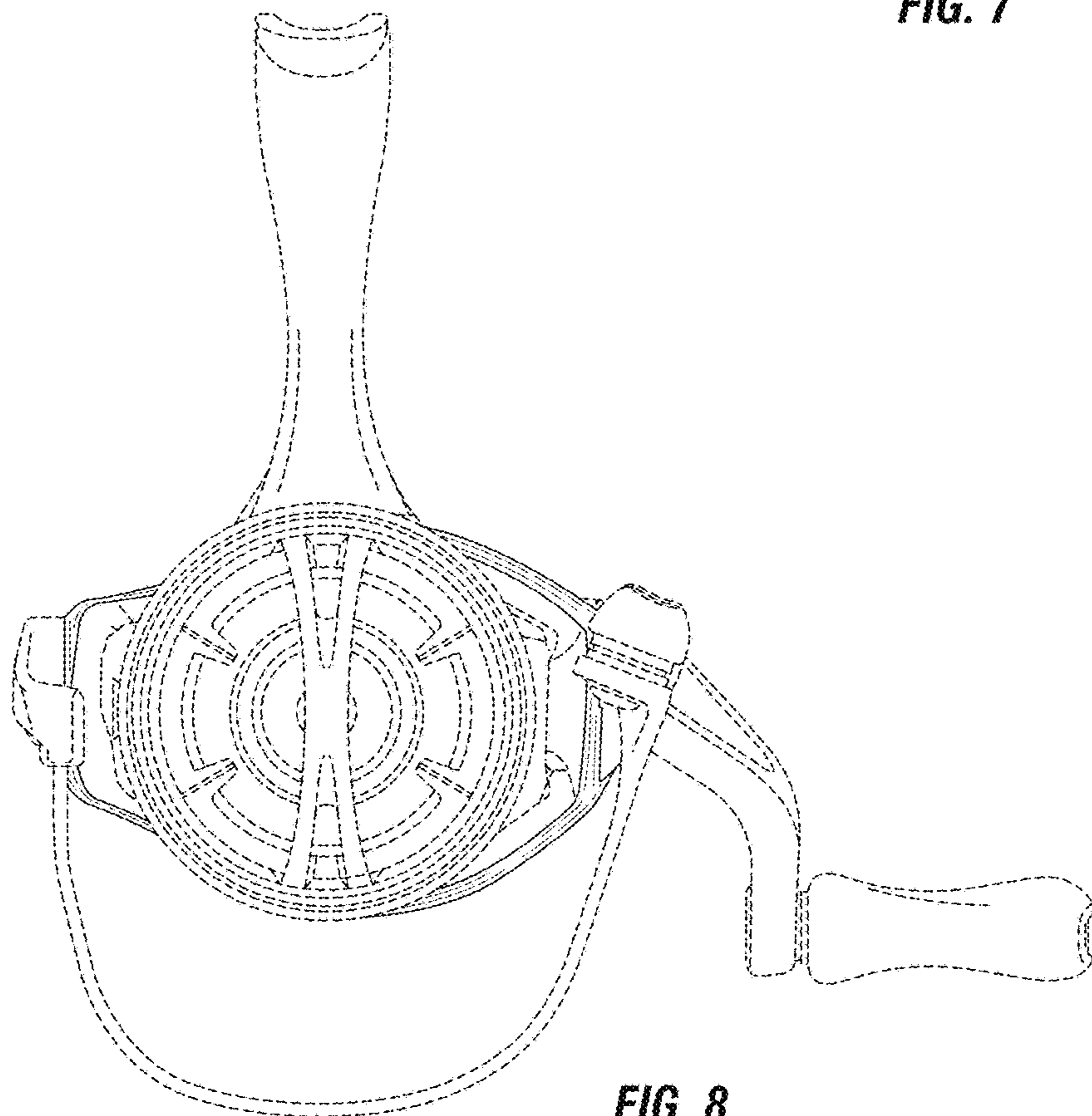


FIG. 8

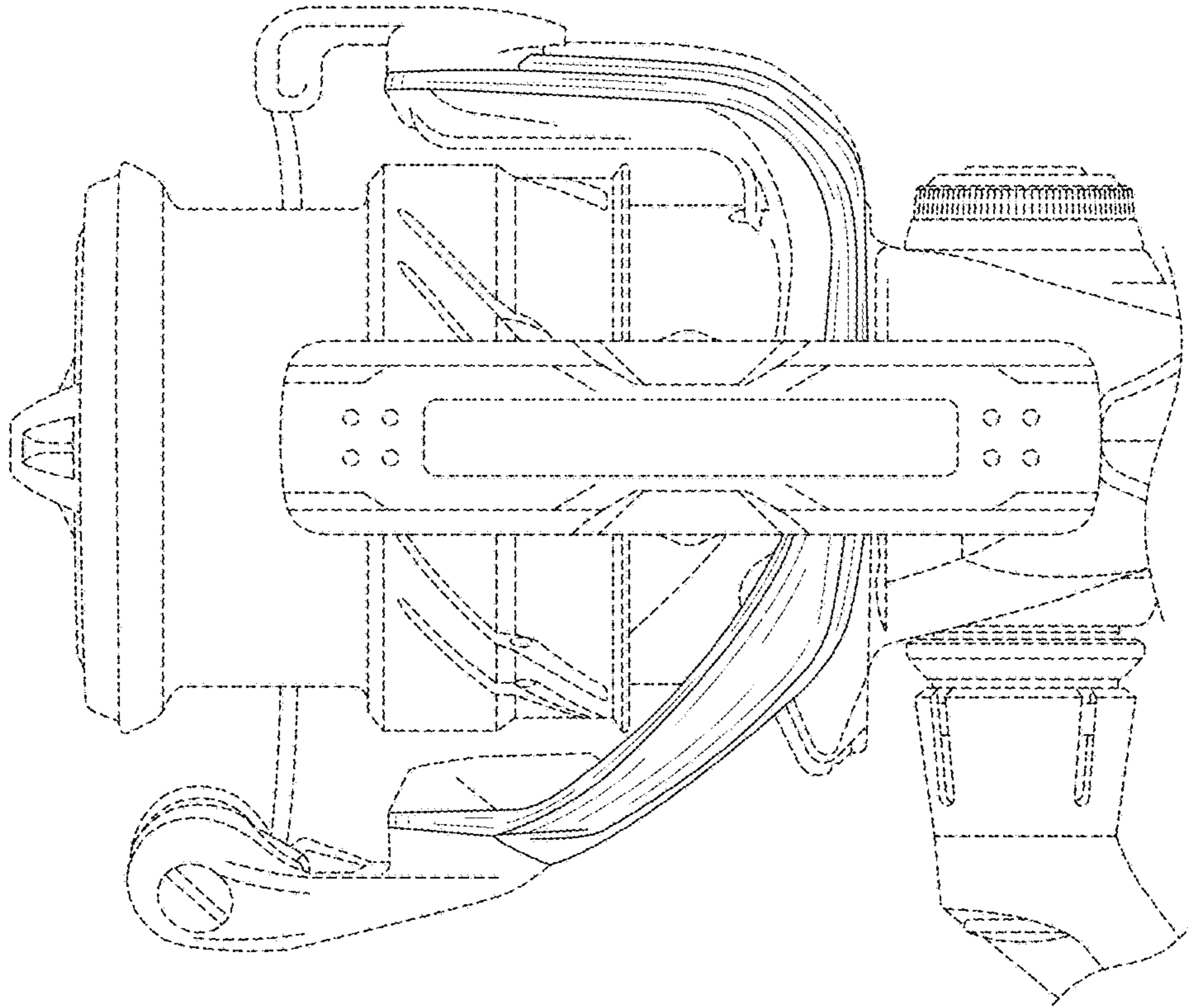


FIG. 9

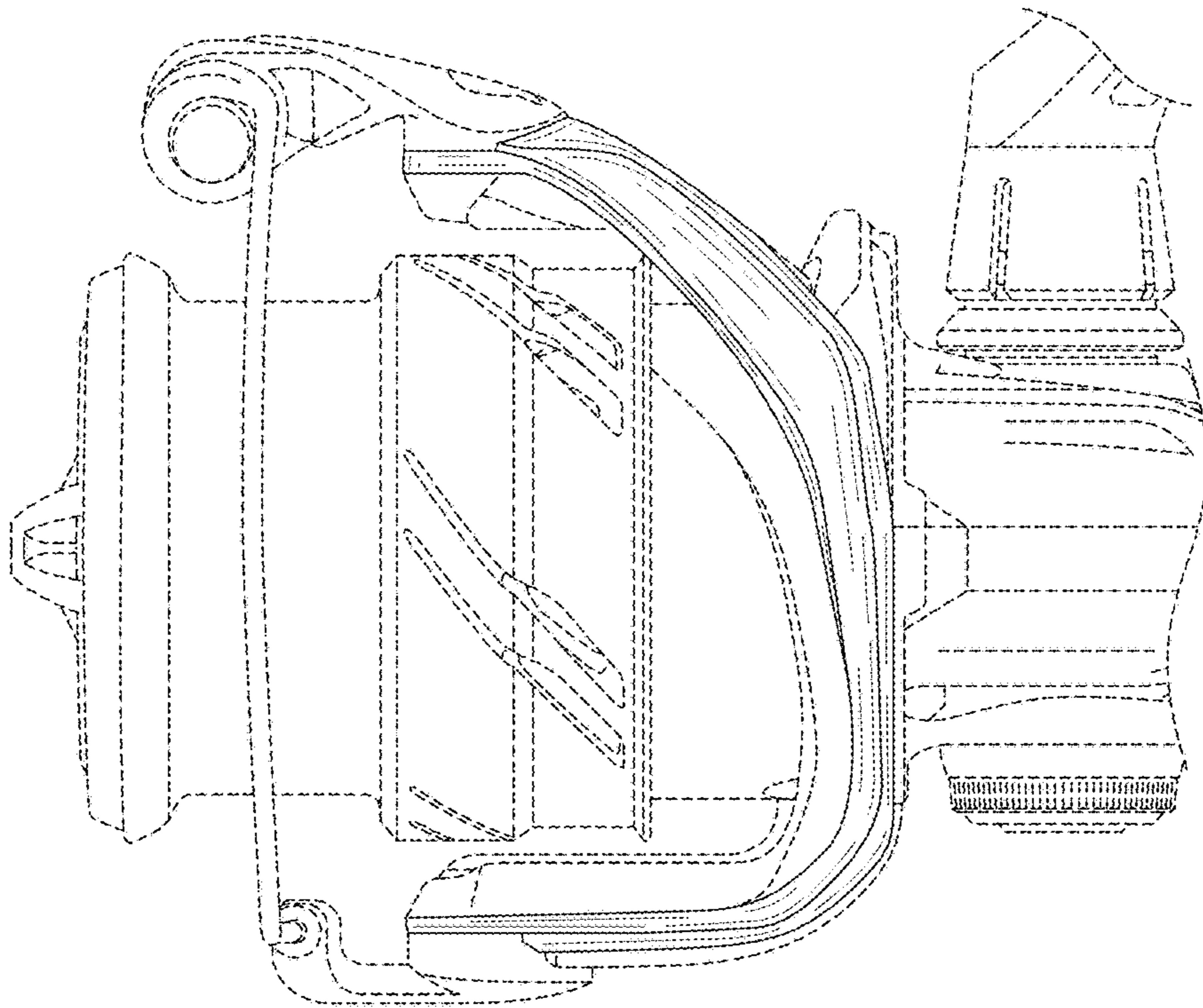


FIG. 10

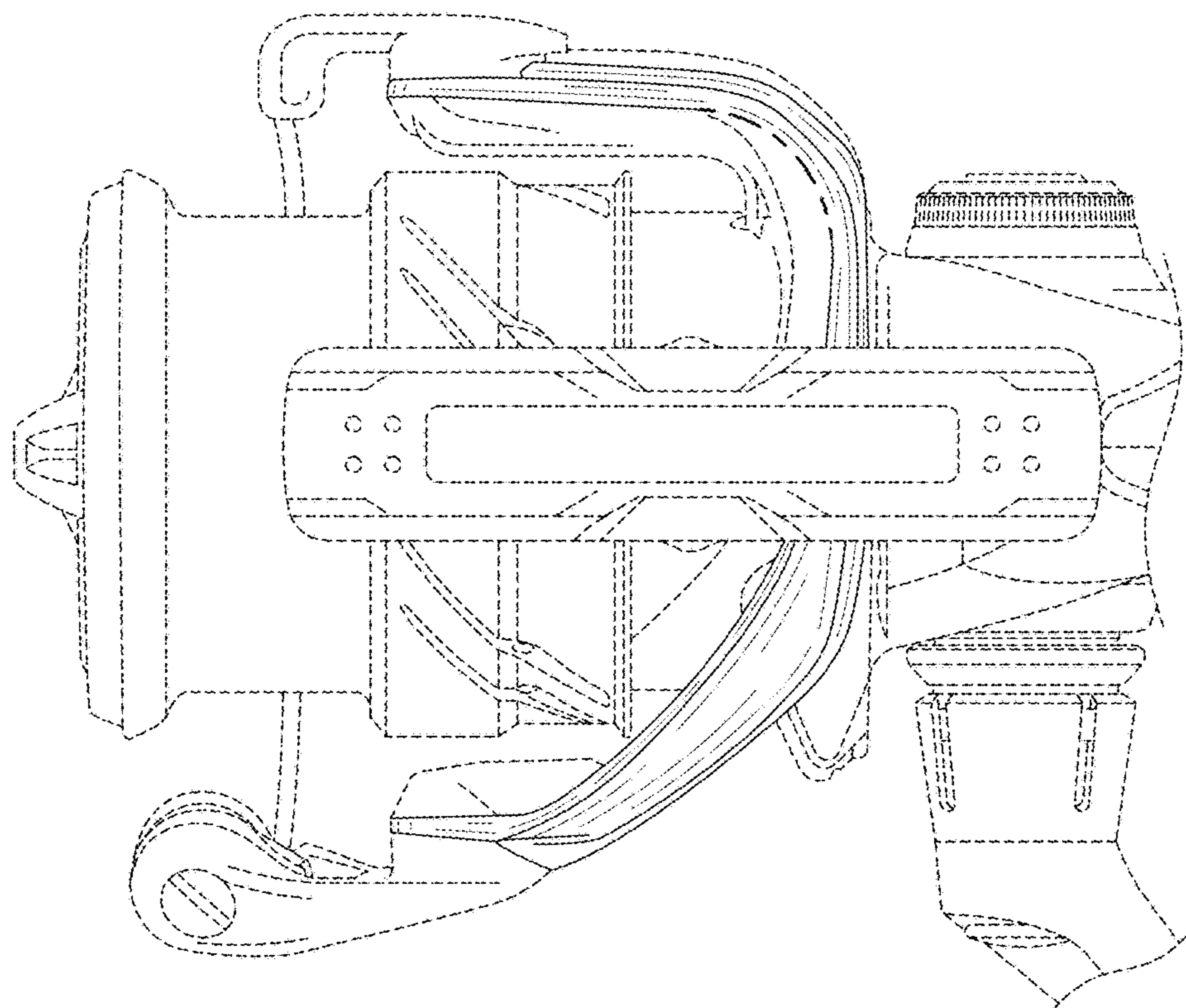


FIG. 11

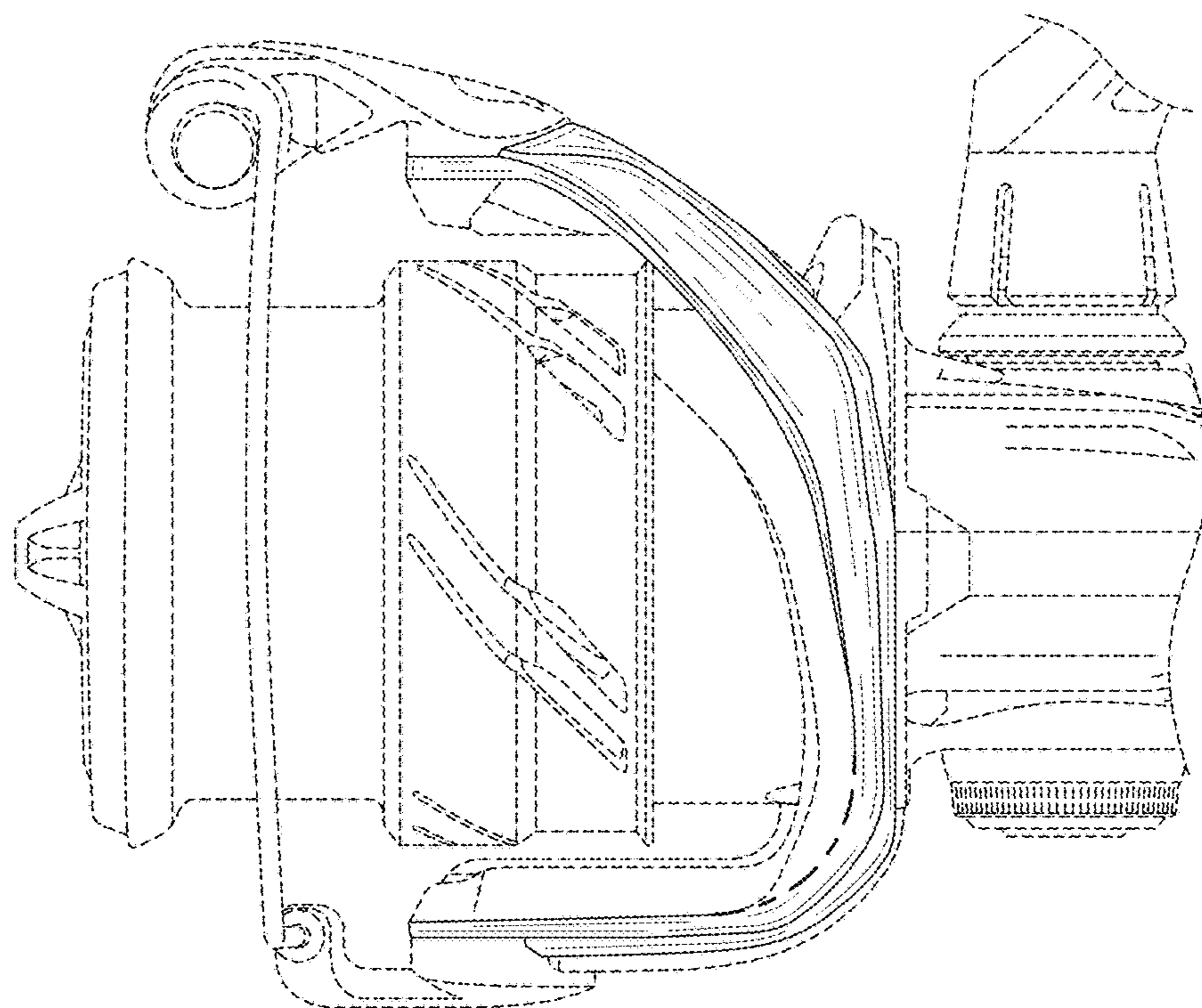


FIG. 12