



US00D785129S

(12) **United States Design Patent** (10) **Patent No.:** **US D785,129 S**  
**Humphreys, Jr. et al.** (45) **Date of Patent:** **\*\* Apr. 25, 2017**

(54) **BAIT BUCKET LID** D442,668 S \* 5/2001 Tobias ..... D22/136  
D462,737 S \* 9/2002 Lipari ..... D22/136  
6,711,849 B1 \* 3/2004 Moretti ..... A01K 97/02  
43/44.99  
(71) Applicants: **William O Humphreys, Jr.**, Baton Rouge, LA (US); **Stephen E Miclette, Jr.**, Baton Rouge, LA (US) D722,212 S \* 2/2015 Kim ..... D32/29  
D743,131 S \* 11/2015 Jeon ..... D32/29  
D748,880 S \* 2/2016 Lentine ..... D32/53  
D753,357 S \* 4/2016 Song ..... D32/29  
(72) Inventors: **William O Humphreys, Jr.**, Baton Rouge, LA (US); **Stephen E Miclette, Jr.**, Baton Rouge, LA (US) 2002/0020104 A1 \* 2/2002 Kolar ..... A01K 97/05  
43/55  
2004/0093787 A1 \* 5/2004 Kutzner ..... A01K 97/02  
43/44.99  
(73) Assignee: **Humphreys' H&H Lure Company, LLC**, Baton Rouge, LA (US) 2009/0223114 A1 \* 9/2009 Obrien ..... A01M 23/02  
43/100  
2014/0053448 A1 \* 2/2014 Kapolnek ..... A01K 97/02  
43/4.5  
(\*\*) Term: **15 Years** 2015/0319946 A1 \* 11/2015 Center ..... A01G 9/02  
47/62 R  
(21) Appl. No.: **29/531,609** 2016/0212983 A1 \* 7/2016 Boudreau ..... A01K 97/02

(22) Filed: **Jun. 27, 2015**  
(51) **LOC (10) Cl.** ..... **22-05**  
(52) **U.S. Cl.**  
USPC ..... **D22/136**  
(58) **Field of Classification Search**  
USPC ..... D21/473, 474, 803; D22/121, 125, 126, D22/136, 137, 146; D32/29, 37, 53  
CPC ..... A01K 97/00; A01K 97/02; A01K 97/04; B63B 17/00; A01G 31/02; B65D 25/00; B65G 45/04

\* cited by examiner

*Primary Examiner* — Manpreet Matharu  
*Assistant Examiner* — Suzanne Tisdell  
(74) *Attorney, Agent, or Firm* — Neil Coig; nolaIP, LLC

(57) **CLAIM**

The ornamental design for a bait bucket lid, as shown and described.

**DESCRIPTION**

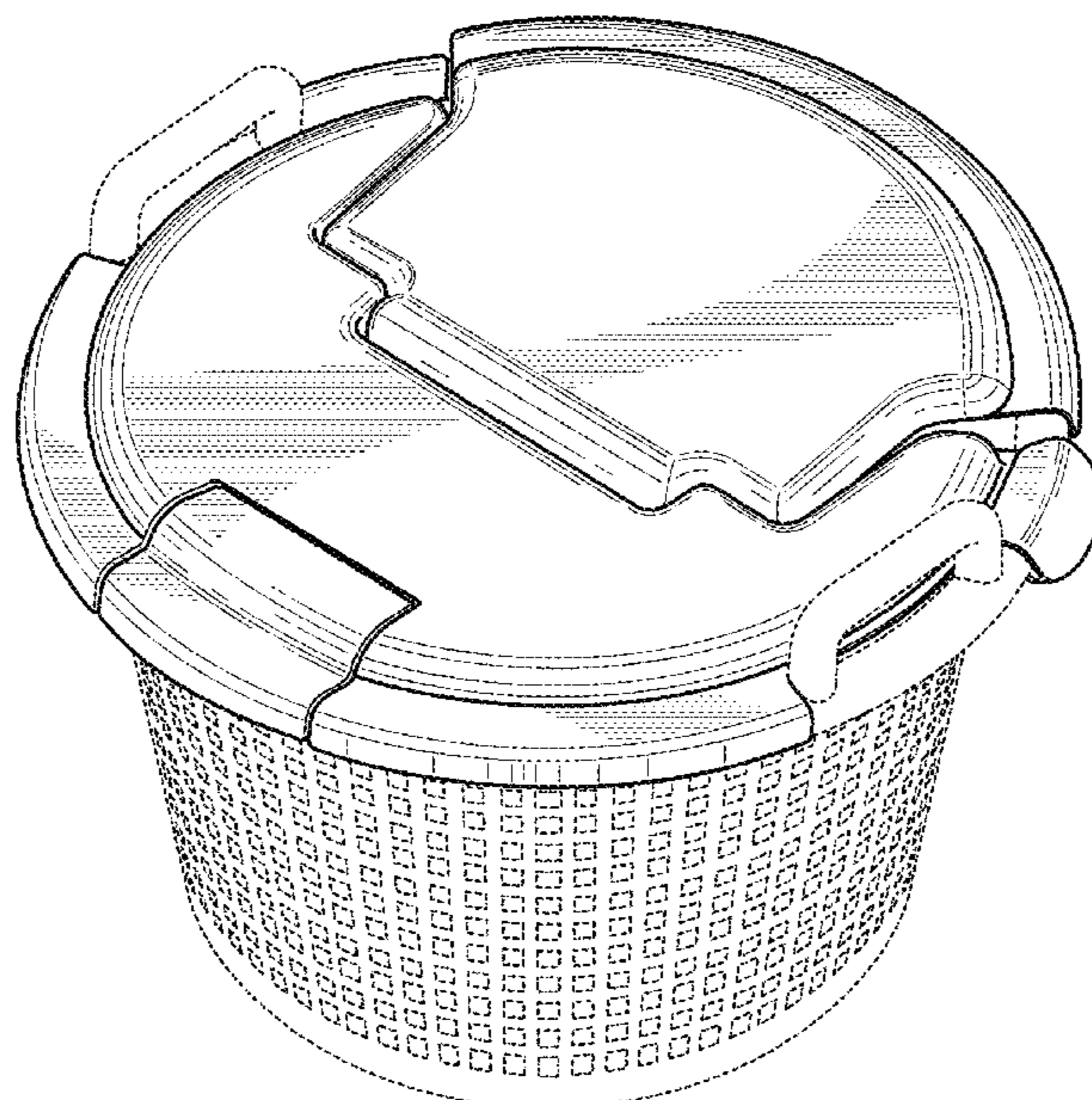
FIG. 1 is a perspective view of the bait bucket.  
FIG. 2 is a perspective view of the bait bucket lid.  
FIG. 3 is a left side view of the bait bucket lid.  
FIG. 4 is a right view of the bait bucket lid.  
FIG. 5 is a front side view of the bait bucket lid.  
FIG. 6 is a rear side view of the bait bucket lid.  
FIG. 7 is a top view of the bait bucket lid; and,  
FIG. 8 is a bottom view of the bait bucket lid.

**1 Claim, 5 Drawing Sheets**

(56) **References Cited**

**U.S. PATENT DOCUMENTS**

2,614,358 A \* 10/1952 Adams ..... A01K 97/02  
43/43.1  
4,903,429 A \* 2/1990 Tetenes ..... A01K 97/02  
43/44.99  
D389,553 S \* 1/1998 Muto ..... D22/136  
5,826,374 A \* 10/1998 Baca ..... A01G 31/02  
47/60  
D426,686 S \* 6/2000 Clausen ..... D32/29



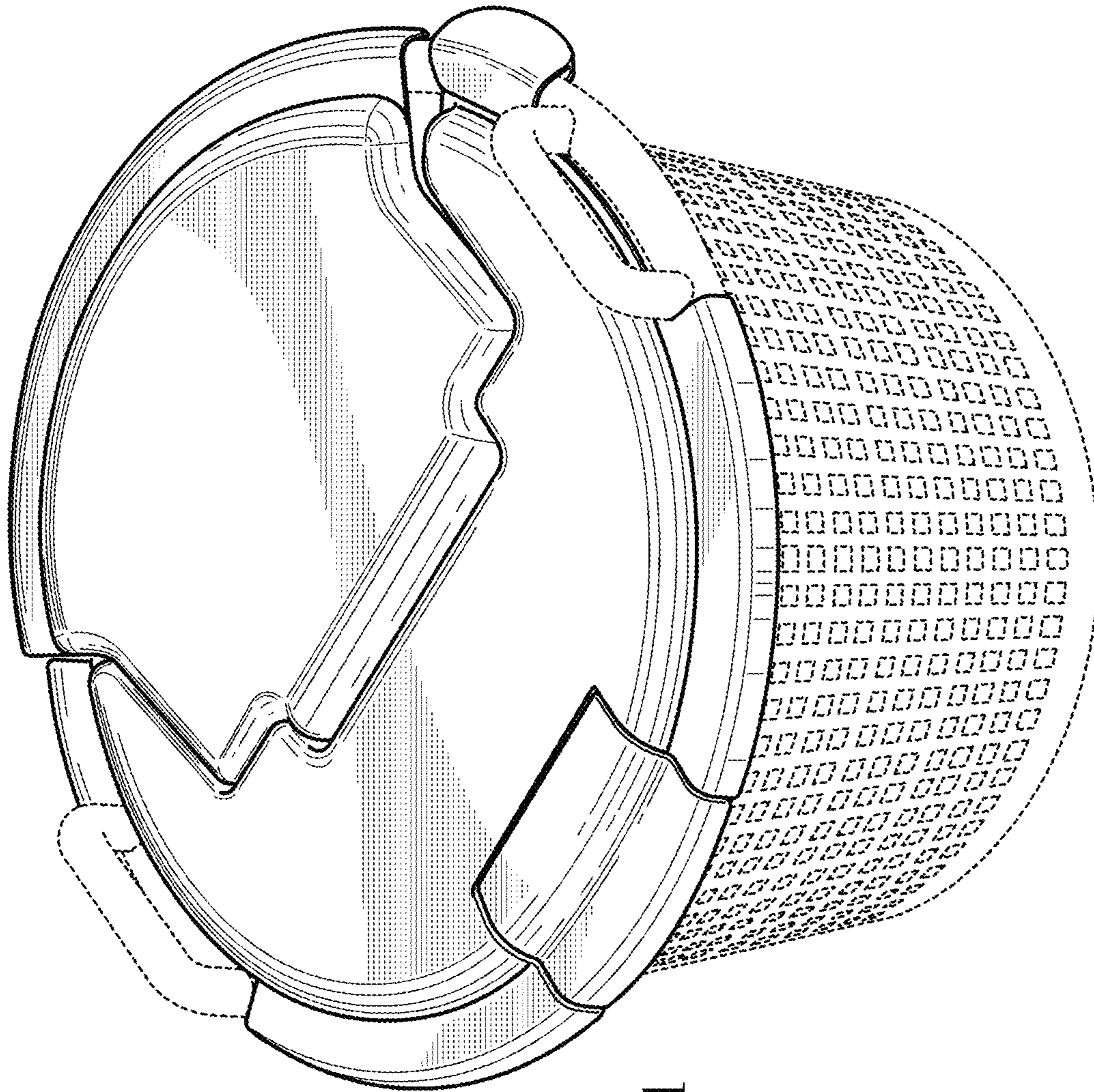


FIG. 1



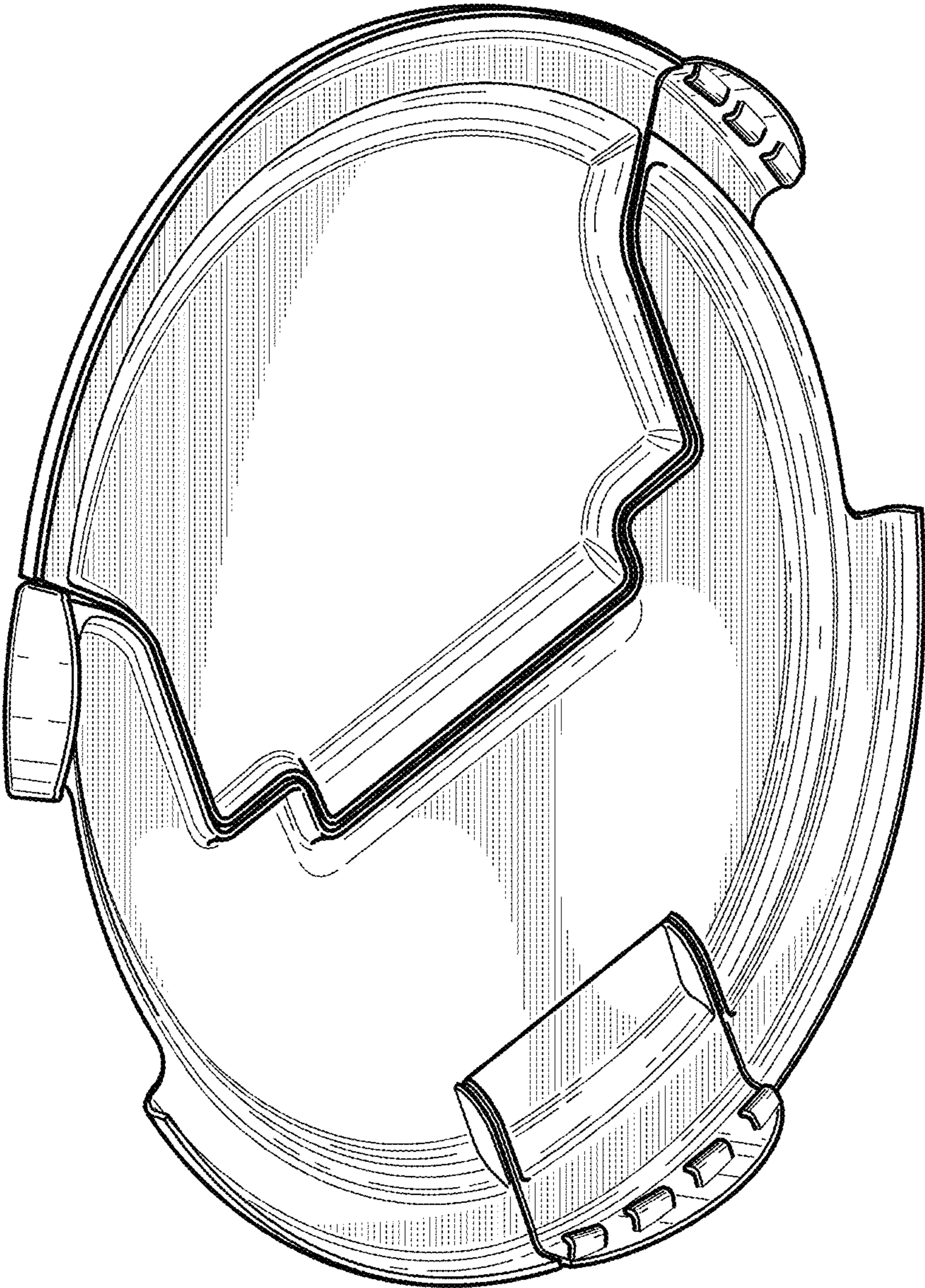


FIG. 2



FIG. 3

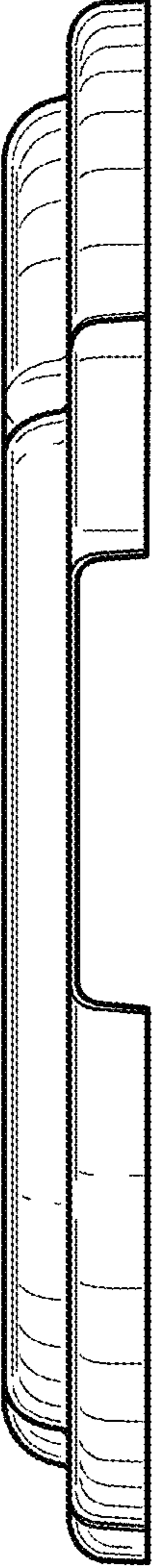


FIG. 4

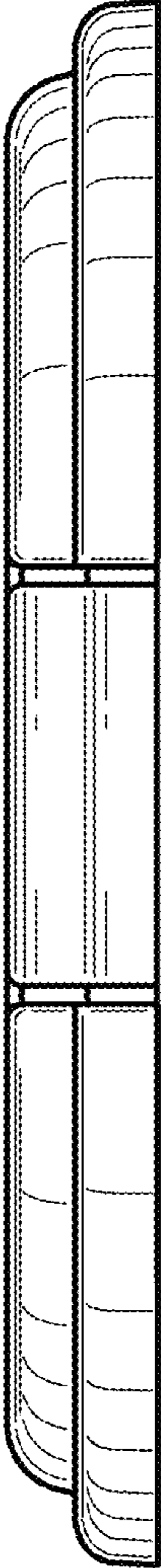


FIG. 5

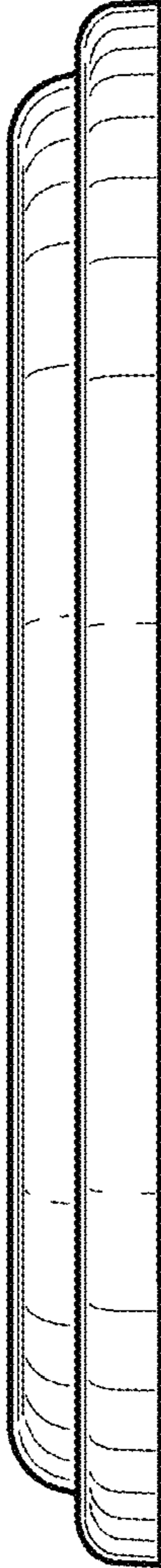


FIG. 6

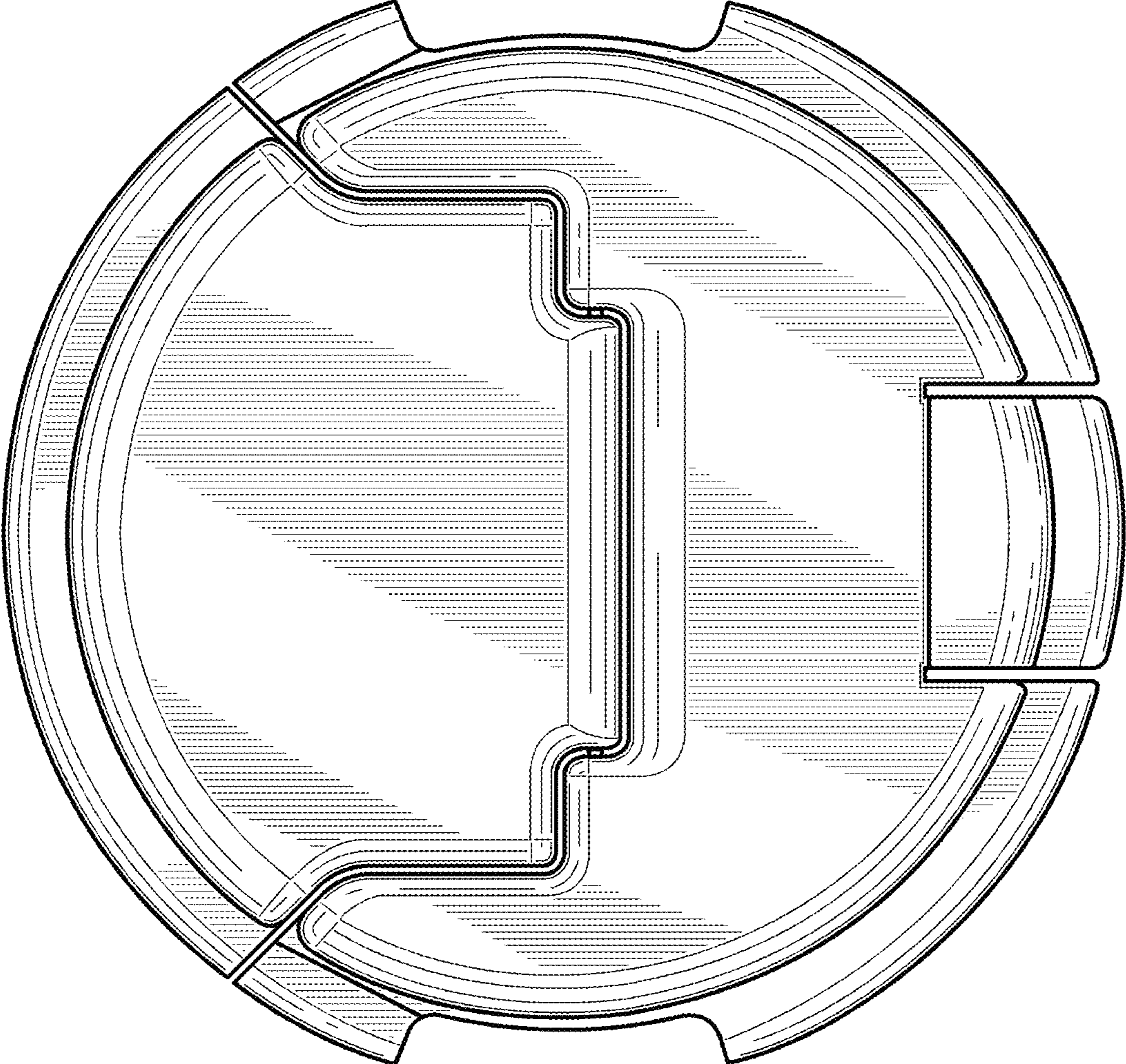


FIG. 7



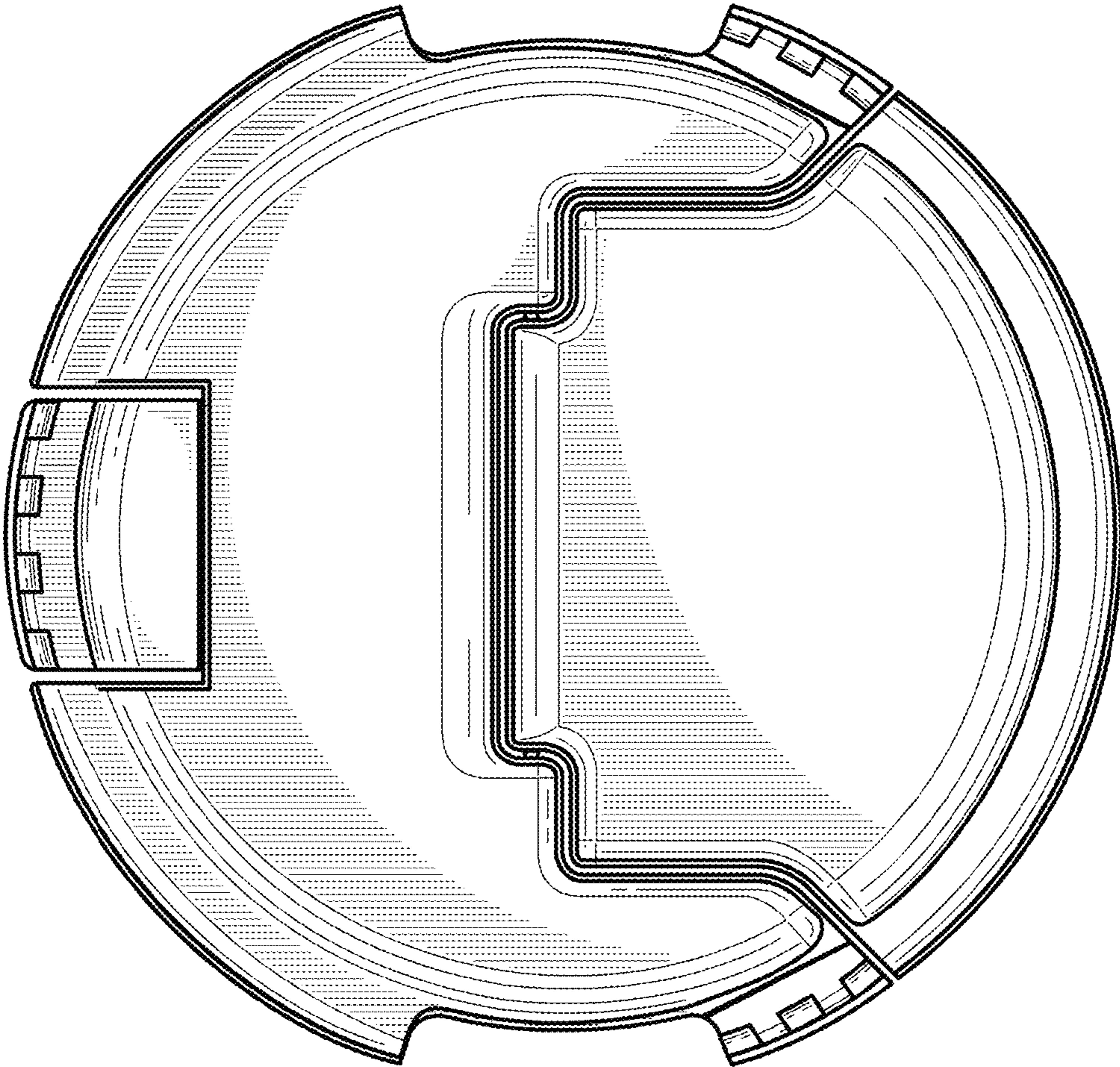


FIG. 8