



US00D785127S

(12) **United States Design Patent**
Braswell

(10) **Patent No.:** **US D785,127 S**
(45) **Date of Patent:** **** Apr. 25, 2017**

(54) **HAND PROTECTOR FOR FIREARM**

(71) Applicant: **Jeffrey Braswell**, Norridge, IL (US)

(72) Inventor: **Jeffrey Braswell**, Norridge, IL (US)

(**) Term: **14 Years**

(21) Appl. No.: **29/526,229**

(22) Filed: **May 7, 2015**

(51) **LOC (10) Cl.** **22-01**

(52) **U.S. Cl.**
USPC **D22/108**

(58) **Field of Classification Search**
USPC D22/103, 108; D8/68
CPC F41C 23/10; F41C 23/14; F41C 23/16;
F41C 23/18

See application file for complete search history.

(56) **References Cited**

U.S. PATENT DOCUMENTS

352,338 A	11/1994	Schuemann	
420,087 A	2/2000	Kay	
452,288 A1	12/2001	Kay	
472,599 A1	4/2003	Yu	
8,151,504 B1 *	4/2012	Aiston F41C 23/10 42/71.01
8,490,311 B2 *	7/2013	Hogue F41C 23/10 42/71.01
D745,625 S *	12/2015	Acarreta D22/108
D763,393 S *	8/2016	Freed D22/108
2016/0320155 A1 *	11/2016	Singh F41A 17/70

OTHER PUBLICATIONS

Choke Up with Glock's new Gen4 beavertail backstrap kit, retrieved from <https://web.archive.org/web/20160328093706/http://gearsout.militarytimes.com/2013/04/03/choke-up-with-glocks-new-gen4-beavertail-backstrap-kit/>, on Oct. 10, 2016 (7 pages).

Glock attachment picture, retrieved from <http://glock.pro/attachments/glock-tech-warranty/4498-gen4-beavertail-backstrap-photos-beavertail.jpg>, on Oct. 10, 2016 (1 page).

Grip Force Glock Gen 1, 2 & 3 Glock Beavertail Grip Adapter, retrieved from http://www.pistolaccents.com/Grip-Force-Gen-1-2-3-Glock-Beavertail-Grip-Adapter-for-Glock-Guns_p_1262.html, on Oct. 10, 2016 (4 pages).

(Continued)

Primary Examiner — Michael A Pratt

(74) *Attorney, Agent, or Firm* — Neal, Gerber & Eisenberg LLP

(57) **CLAIM**

The ornamental design for a hand protector for firearm, as shown and described herein.

DESCRIPTION

FIG. 1 is a right side elevational view of one embodiment of a hand protector for firearm of my new design, that portion shown in phantom not being part of the design sought to be patented and being provided for environmental purposes only.

FIG. 2 is a top front left perspective view of the hand protector for firearm of my new design illustrated in FIG. 1. FIG. 3 is a back elevational view of the hand protector for firearm of my new design illustrated in FIG. 1.

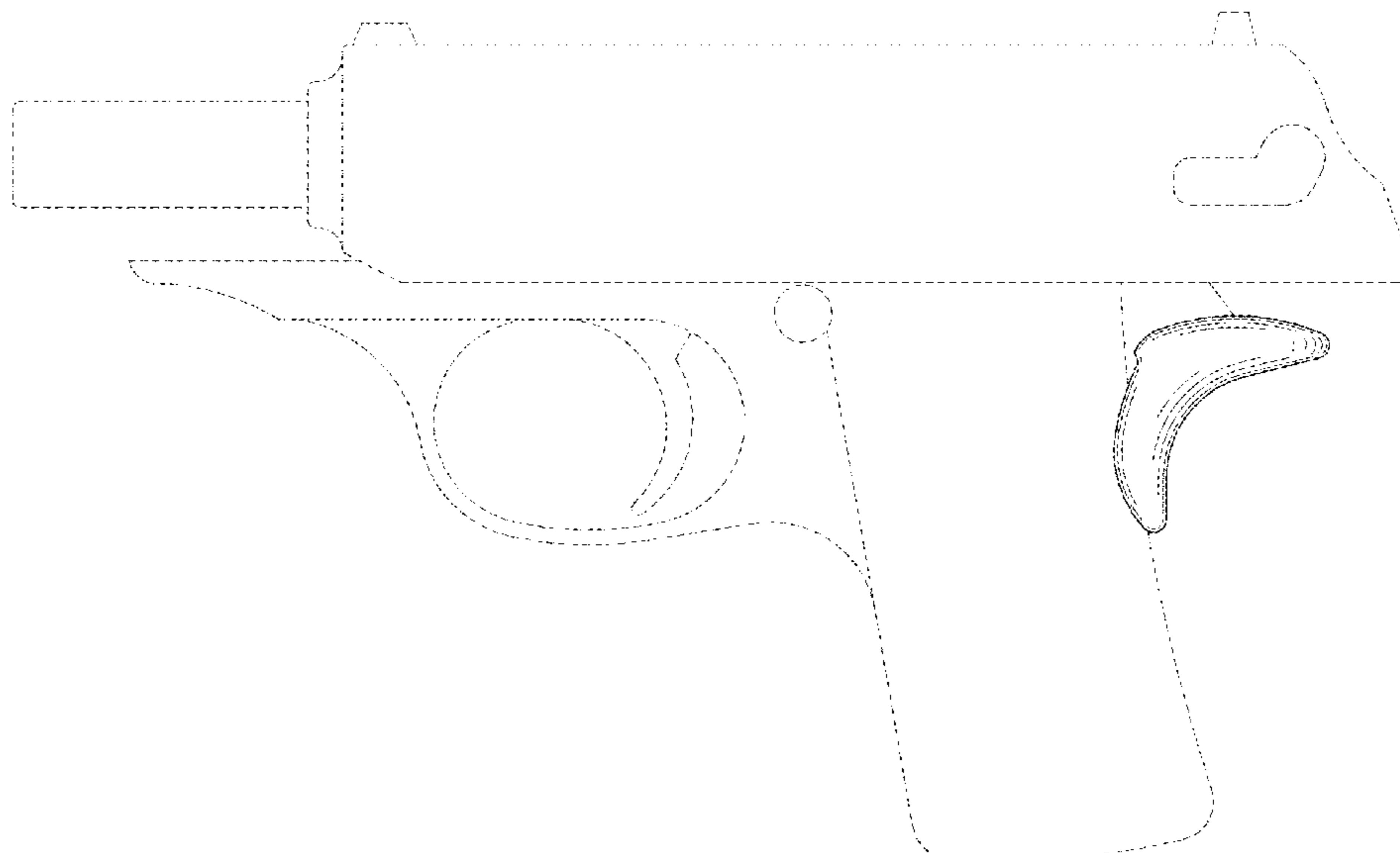
FIG. 4 is a front elevational view of the hand protector for firearm of my new design illustrated in FIG. 1.

FIG. 5 is a right side elevational view of the hand protector for firearm of my new design illustrated in FIG. 1. The left side elevational view of the hand protector for firearm of my new design illustrated in FIG. 1 is a mirror image of that shown in FIG. 5.

FIG. 6 is a top plan view of the hand protector for firearm of my new design illustrated in FIG. 1; and,

FIG. 7 is a bottom plan view of the hand protector for firearm of my new design illustrated in FIG. 1.

1 Claim, 3 Drawing Sheets



(56)

References Cited

OTHER PUBLICATIONS

Hogue Overmolded Beavertail Pistol Grip AR-15 with Finger Grooves, retrieved from <http://www.midwayusa.com/product/1151576074/hogue-overmolded-beavertail-pistol-grip-ar-15-with-finger-grooves>, on Oct. 10, 2016 (1 page).

New at SHOT Show 2012—Glock's New Beavertail Attachment for Gen 4 Pistols, retrieved from <http://www.greatsataninc.com/new-at-shot-show-2012-glocks-new-beavertail-attachment-for-gen-4-pistols/19/>, on Oct. 10, 2016 (4 pages).

New Grip Force Gen 1 2 3 Glock BeaverTail Adapter 17, 19, 22, 23, 24, 31, 32, 34, 35, 37, 38, retrieved from <http://www.amazon.com/Grip-Force-Glock-BeaverTail-Adapter/dp/B004VIZN90>, on Oct. 10, 2016 (5 pages).

* cited by examiner

FIG. 1

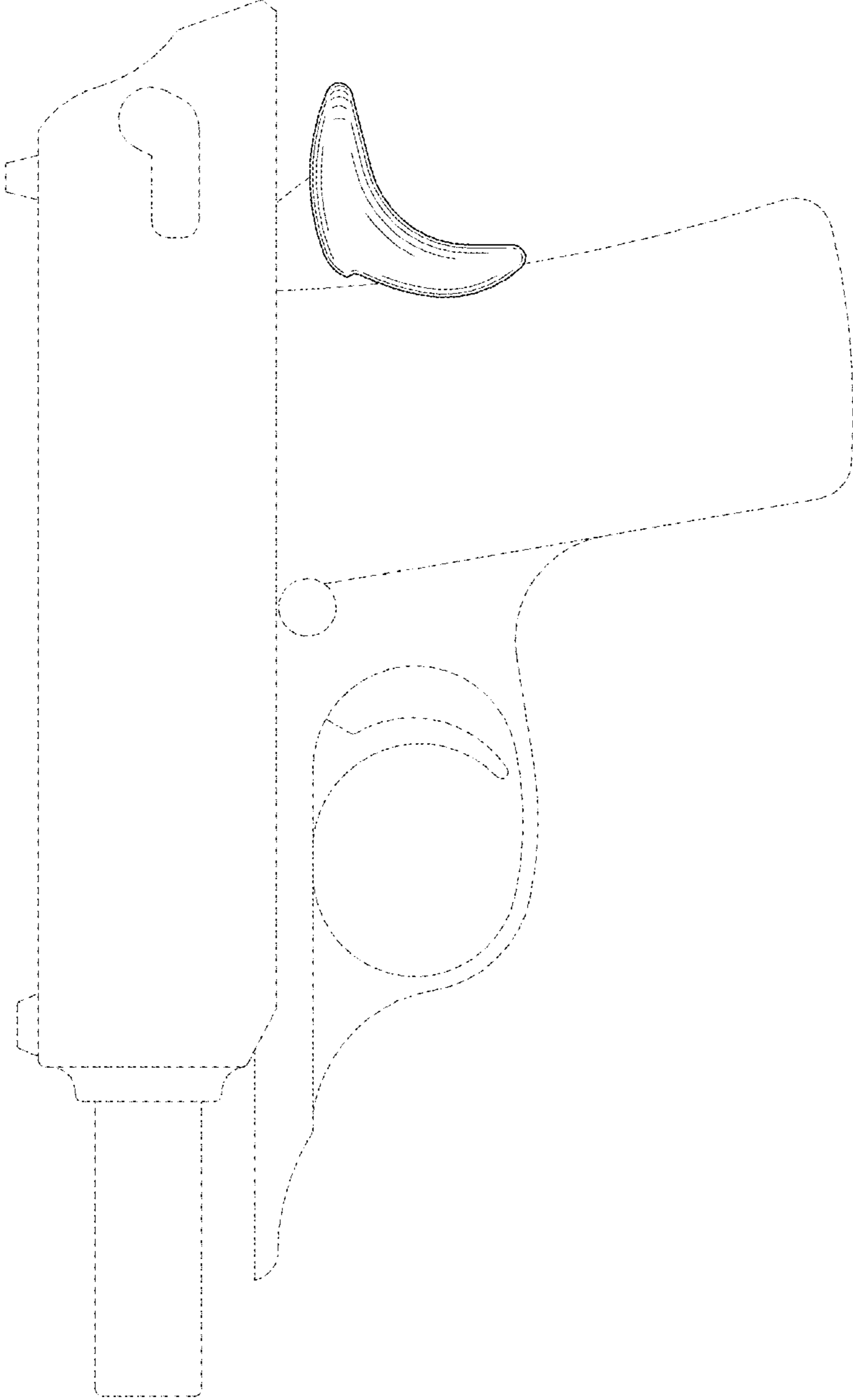


FIG. 2

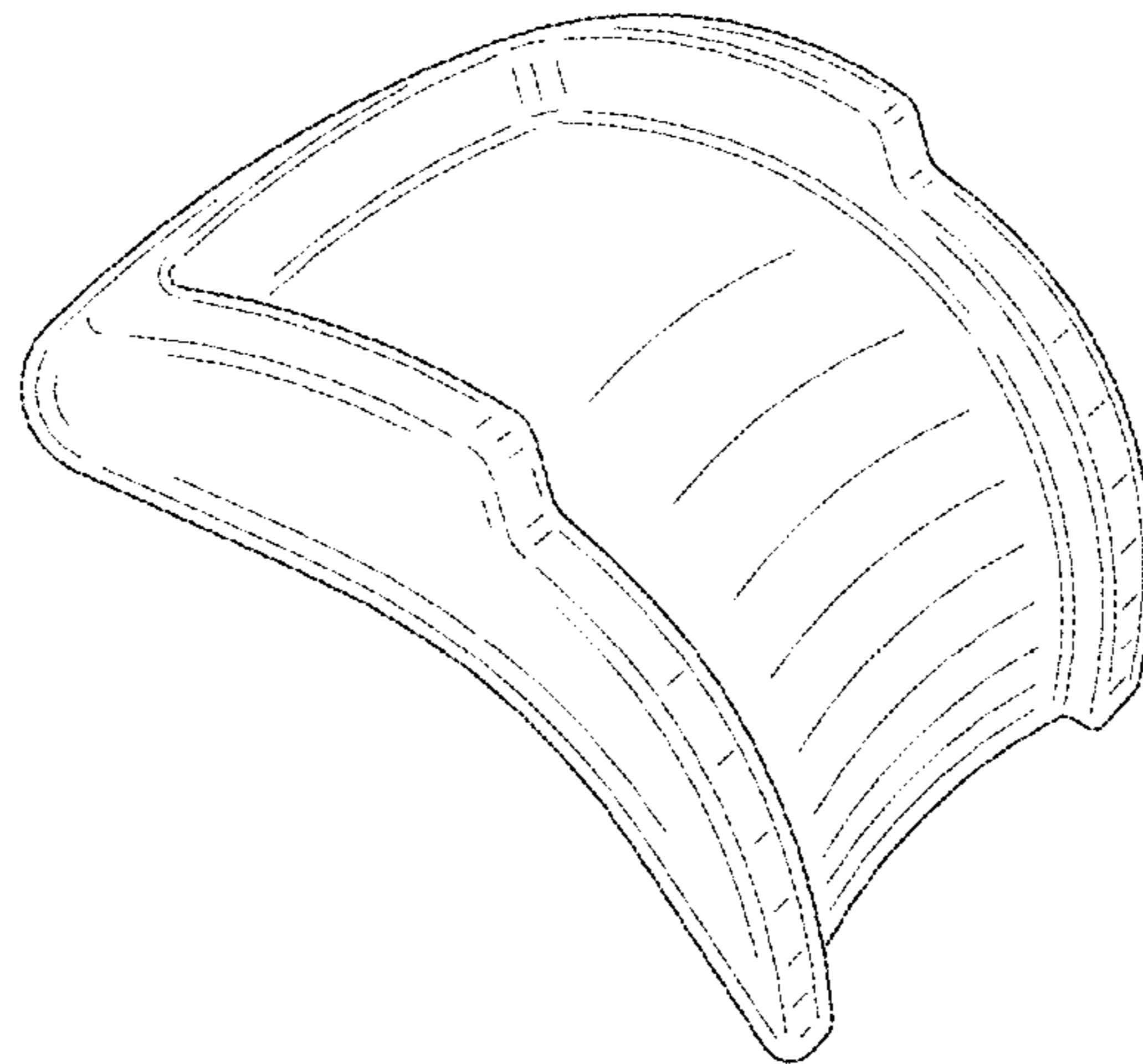


FIG. 3

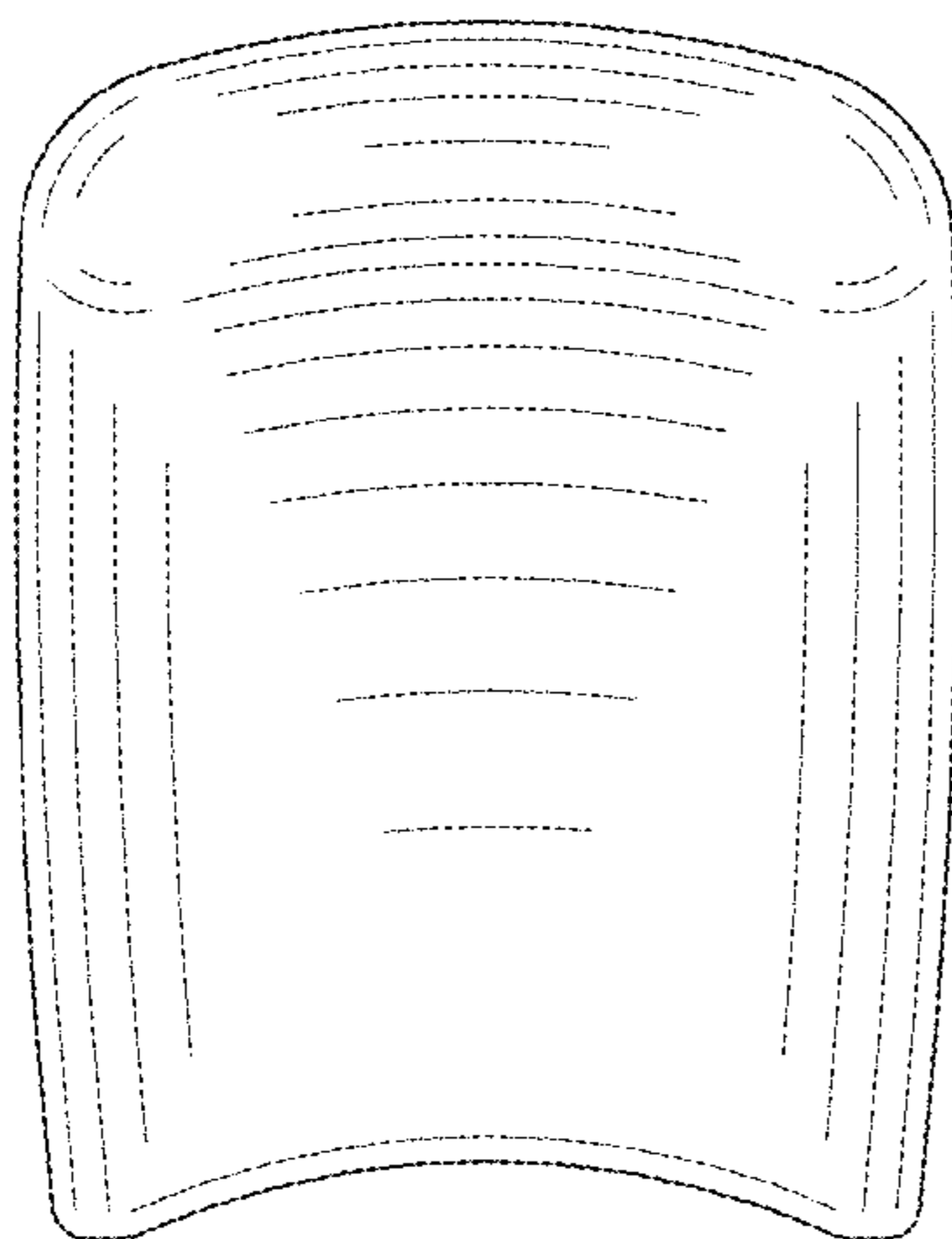


FIG. 4

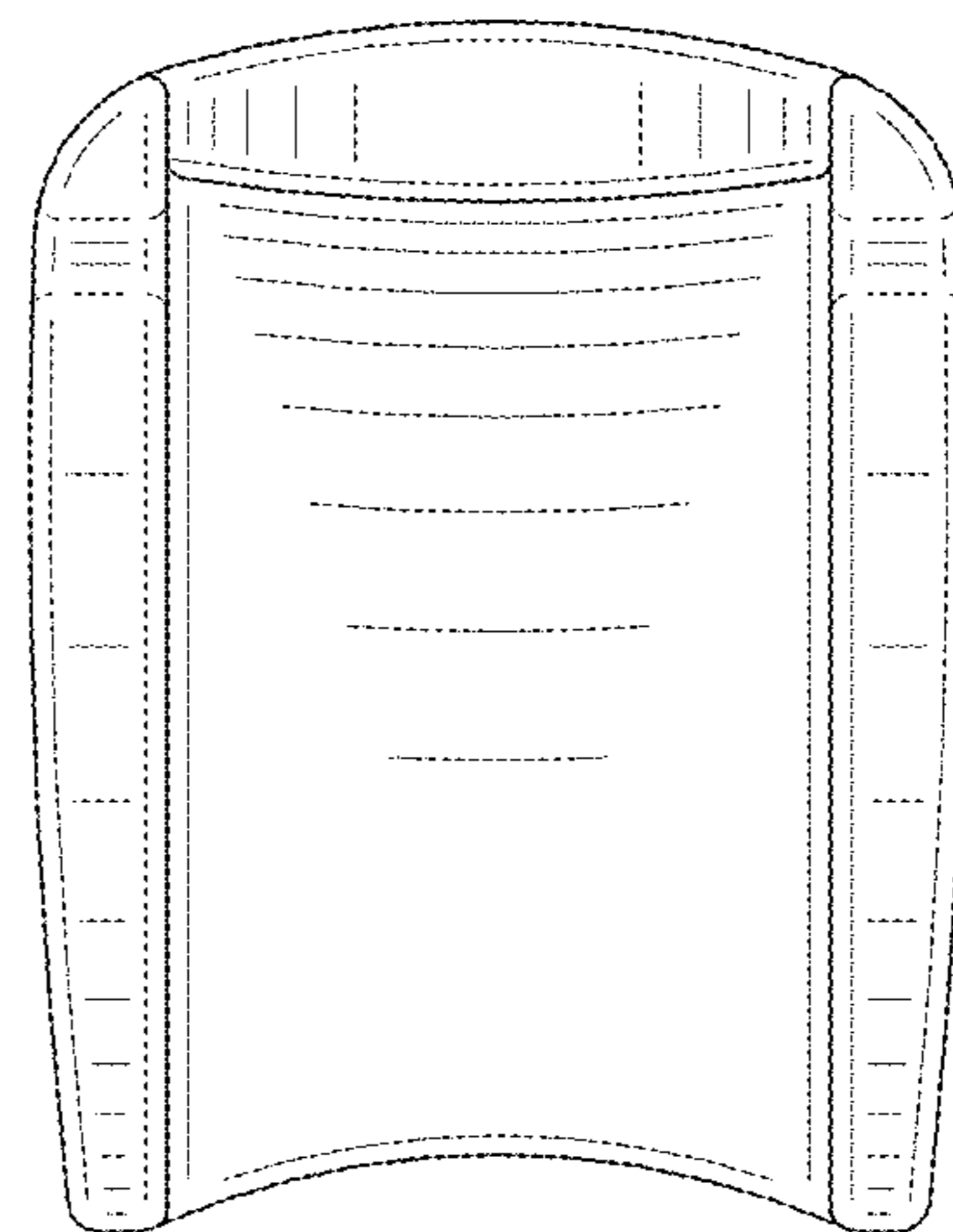


FIG. 5

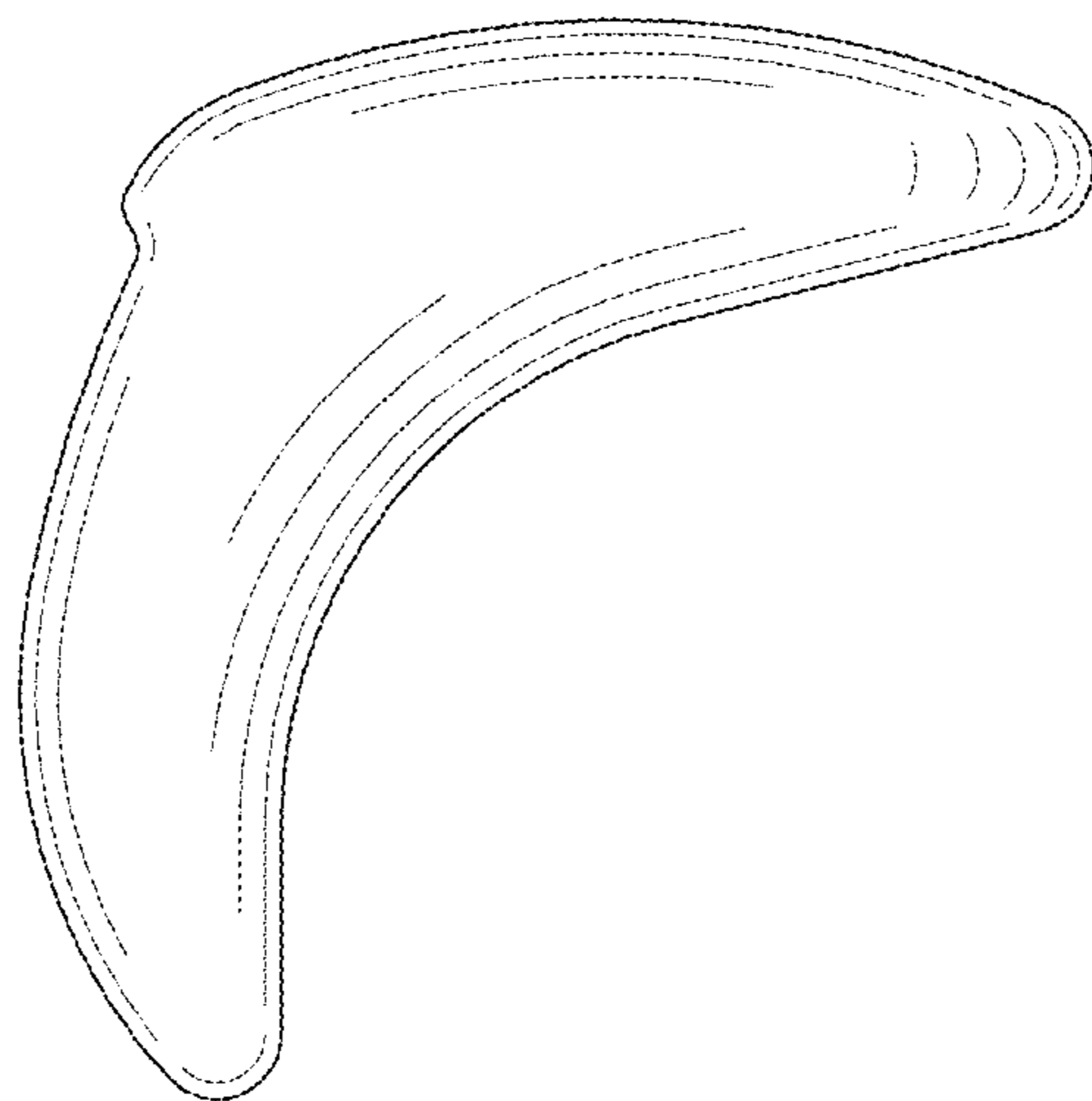


FIG. 6

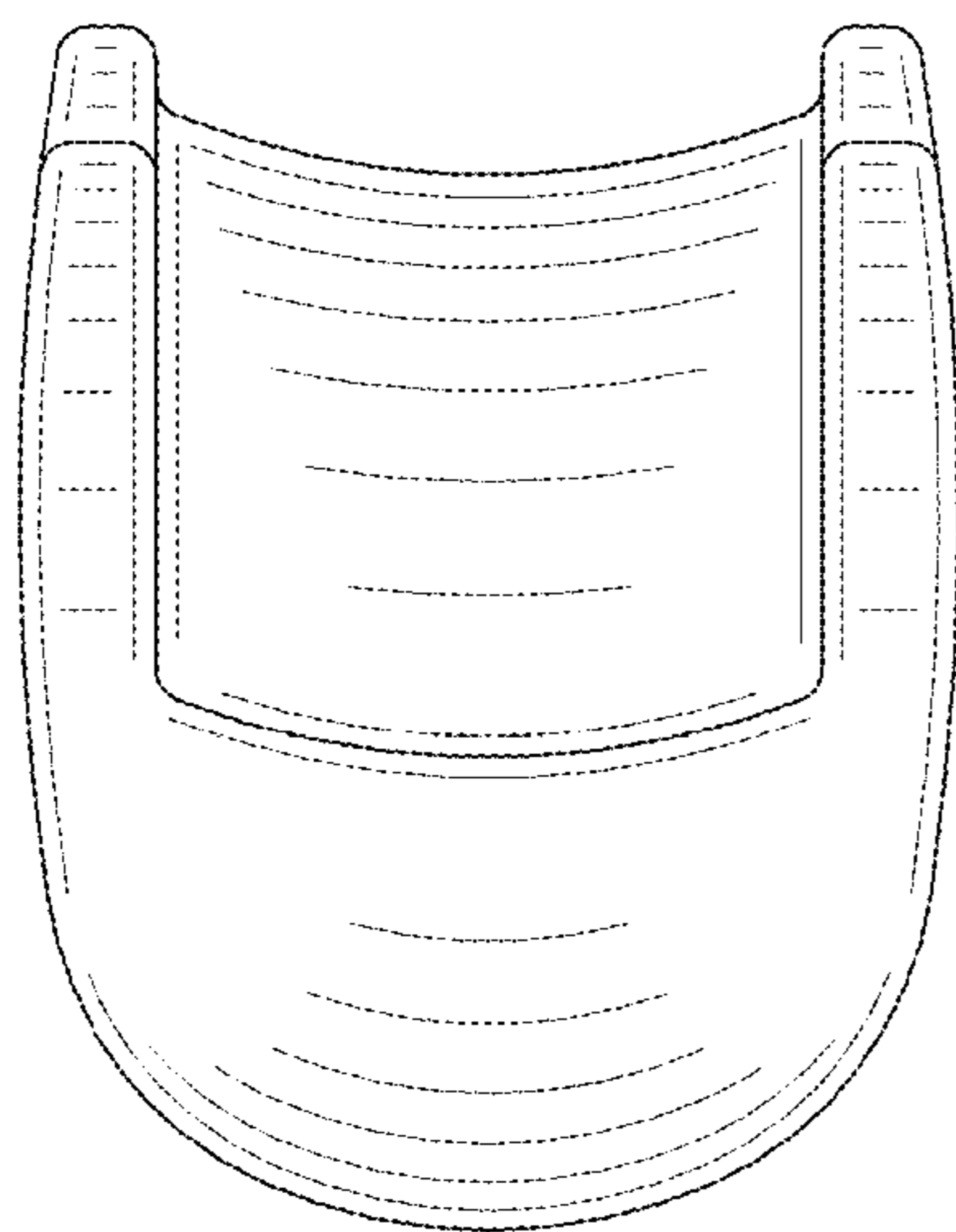


FIG. 7

