



US00D785126S

(12) **United States Design Patent** (10) **Patent No.:** **US D785,126 S**
Barrett (45) **Date of Patent:** **** *Apr. 25, 2017**

- (54) **BIPOD**
- (71) Applicant: **Ronnie Barrett**, Murfreesboro, TN (US)
- (72) Inventor: **Ronnie Barrett**, Murfreesboro, TN (US)
- (*) Notice: This patent is subject to a terminal disclaimer.
- (**) Term: **14 Years**
- (21) Appl. No.: **29/504,849**
- (22) Filed: **Oct. 9, 2014**
- (51) **LOC (10) Cl.** **22-01**
- (52) **U.S. Cl.**
USPC **D22/108**
- (58) **Field of Classification Search**
USPC D22/108
CPC F41A 23/10; F41A 23/08; F41A 23/04
See application file for complete search history.

(56) **References Cited**

U.S. PATENT DOCUMENTS

2,088,268 A	7/1937	Lauf	
2,141,537 A	12/1938	Laloux	
3,198,076 A	8/1965	Stoner et al.	
3,342,171 A	9/1967	James et al.	
3,386,336 A	6/1968	Roy	
3,688,641 A	9/1972	Curtis	
3,731,588 A	5/1973	Curtis	
3,791,256 A	2/1974	Curtis	
3,830,003 A	8/1974	Clerke	
3,999,461 A	12/1976	Johnson et al.	
4,066,000 A	1/1978	Rostocil	
4,351,224 A *	9/1982	Curtis F41A 23/08 42/94
4,463,654 A	8/1984	Barnes et al.	
4,553,469 A	11/1985	Atchisson	

4,596,084 A 6/1986 Martial
 4,601,123 A 7/1986 Swearengen
 4,654,993 A 4/1987 Atchisson
 (Continued)

OTHER PUBLICATIONS

“Chapter 3: M240B Machine Gun”, Apr. 27, 2005, Globalsecurity.org.

(Continued)

Primary Examiner — Michael A Pratt
(74) *Attorney, Agent, or Firm* — Patterson Intellectual Property Law; Ryan D. Levy

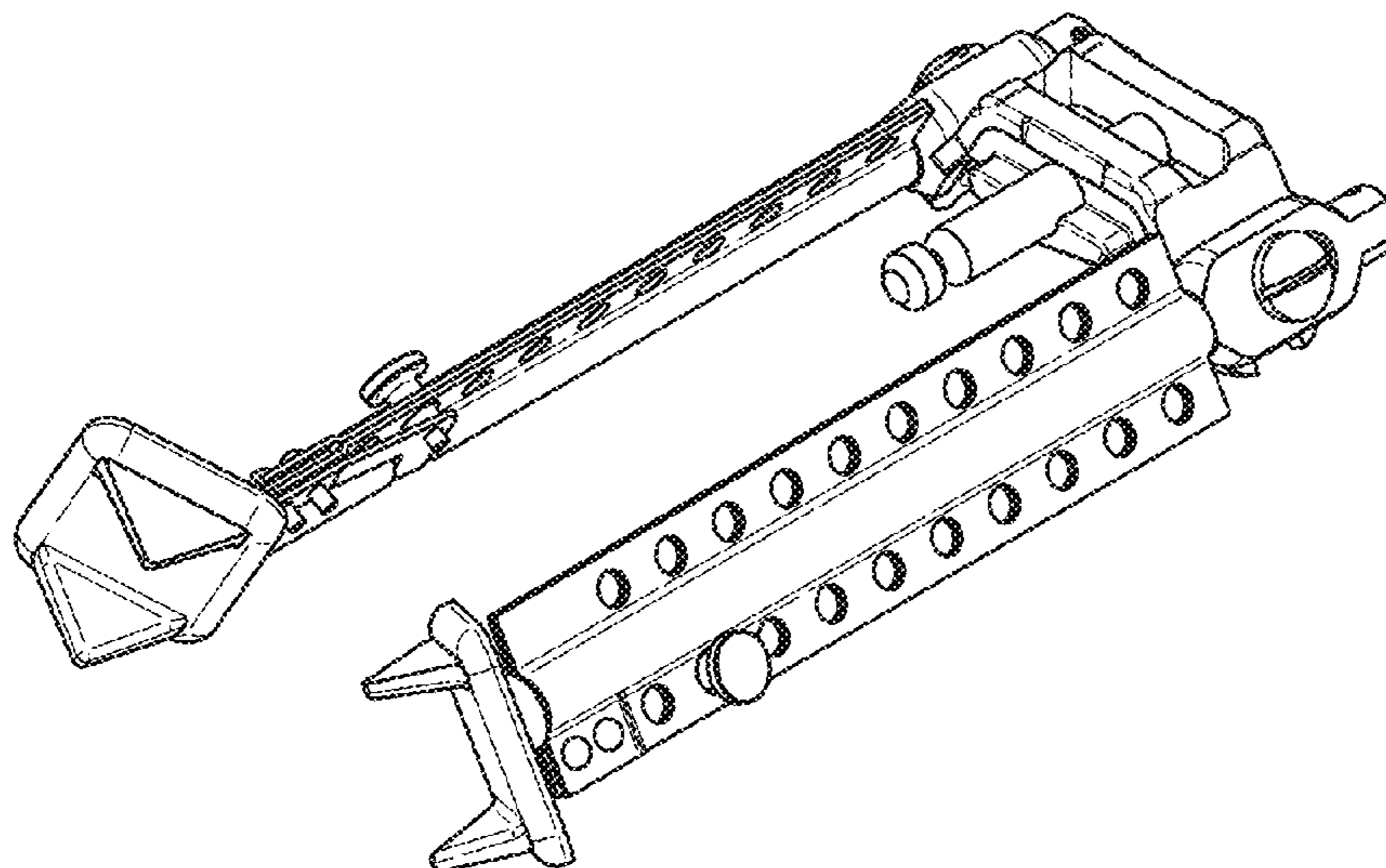
(57) **CLAIM**

What is claimed is the ornamental design for a bipod, as shown and described.

DESCRIPTION

FIG. 1 is a bottom perspective view showing the bipod of Applicant’s invention.
 FIG. 2 is a top perspective view of the bipod of Applicant’s invention.
 FIG. 3 is a top view of the bipod of Applicant’s invention.
 FIG. 4 is a bottom view of the bipod of Applicant’s invention.
 FIG. 5 is a side view of the bipod of Applicant’s invention.
 FIG. 6 is a side view of the bipod of Applicant’s invention.
 FIG. 7 is a bottom view of the bipod of Applicant’s invention.
 FIG. 8 is a top view of the bipod of Applicant’s invention; and,
 FIG. 9 is a view of the bipod of Applicant’s invention with a firearm.
 The dash-dot-dash lines shown in the Figures represent some embodiments of environmental structure and form no part of the claimed design. The dotted lines represent a firearm.

1 Claim, 4 Drawing Sheets



(56)

References Cited

U.S. PATENT DOCUMENTS

4,663,876 A 5/1987 Reaume
 4,693,170 A 9/1987 Atchisson
 4,872,391 A 10/1989 Stoner
 4,893,547 A 1/1990 Atchisson
 5,195,226 A 3/1993 Bornancini
 5,256,100 A 10/1993 Wang
 5,440,099 A 8/1995 Smith
 6,694,676 B2 2/2004 Blake
 7,258,055 B1 8/2007 Javorsky
 7,356,958 B2 4/2008 Weir
 7,676,977 B1* 3/2010 Cahill F16M 11/16
 248/168
 7,937,877 B2 5/2011 Barrett
 7,950,178 B1 5/2011 Landies et al.
 8,104,213 B2* 1/2012 Keng F41A 23/10
 42/94
 8,316,570 B2* 11/2012 Potterfield F41A 23/10
 42/94
 8,402,684 B1* 3/2013 Beltz F41A 23/10
 42/72
 D682,973 S 5/2013 KasanJian-King
 8,448,369 B2* 5/2013 Hinds, Jr. F41A 23/08
 42/94
 8,496,212 B2* 7/2013 Keng F16M 11/36
 211/203
 9,121,665 B2* 9/2015 Hinds F41A 23/04
 D747,426 S 1/2016 Cheng
 D750,188 S 2/2016 Fitzpatrick et al.
 9,494,382 B2* 11/2016 Storch F41A 3/64
 2003/0196366 A1 10/2003 Beretta
 2007/0033850 A1 2/2007 Murello et al.
 2008/0229642 A1 9/2008 Hu
 2009/0126250 A1* 5/2009 Keng F41A 23/10
 42/94
 2011/0283582 A1 11/2011 Hunter et al.
 2012/0144985 A1 6/2012 Beville et al.
 2012/0198990 A1 8/2012 Brittin

2014/0115940 A1* 5/2014 Bonelli F16M 11/14
 42/94
 2014/0190059 A1* 7/2014 Ballard F41C 23/16
 42/94
 2014/0331538 A1 11/2014 Spiegelhauer
 2015/0020429 A1* 1/2015 Savoy F41G 11/008
 42/111
 2015/0198409 A1* 7/2015 DeSomma F41C 23/16
 42/71.01
 2015/0241160 A1* 8/2015 McGinty F41C 23/16
 42/94
 2016/0033217 A1 2/2016 Gryparis
 2016/0040948 A1* 2/2016 Barrett F41A 3/66
 89/136

OTHER PUBLICATIONS

M240LW Test Fire, YouTube video published on Aug. 19, 2011, at <https://www.youtube.com/watch?v=8xusEBOCeds>.
 Barrett M240LW, YouTube video published on Aug. 16, 2011, at <https://www.youtube.com/watch?v=Fjf3HKy9rZQ>.
 Accuracy International Brochure, published on Jan. 14, 2014, at http://www.accuracyinternational.com/default/public/media/pdf/AI_brochure_download_2014_LR.pdf.
 PCT Application No. PCT/US2016/025294 filed Mar. 31 2016 to Barrett et al. (not prior art).
 PCT Application No. PCT/US2015/044642 filed Aug. 11, 2015 to Barrett et al. (not prior art).
 U.S. Appl. No. 29/504,851, filed Oct. 9, 2014 to Barrett. (not prior art).
 U.S. Appl. No. 14/823,111, filed Aug. 11, 2015 to Barrett. (not prior art).
 U.S. Appl. No. 29/504,846, filed Oct. 9, 2014 to Barrett. (not prior art).
 U.S. Appl. No. 29/504,850, filed Oct. 9, 2014 to Barrett. (not prior art).
 U.S. Appl. No. 15/086,876, filed Mar. 31, 2016 to Barrett et al. (not prior art).

* cited by examiner

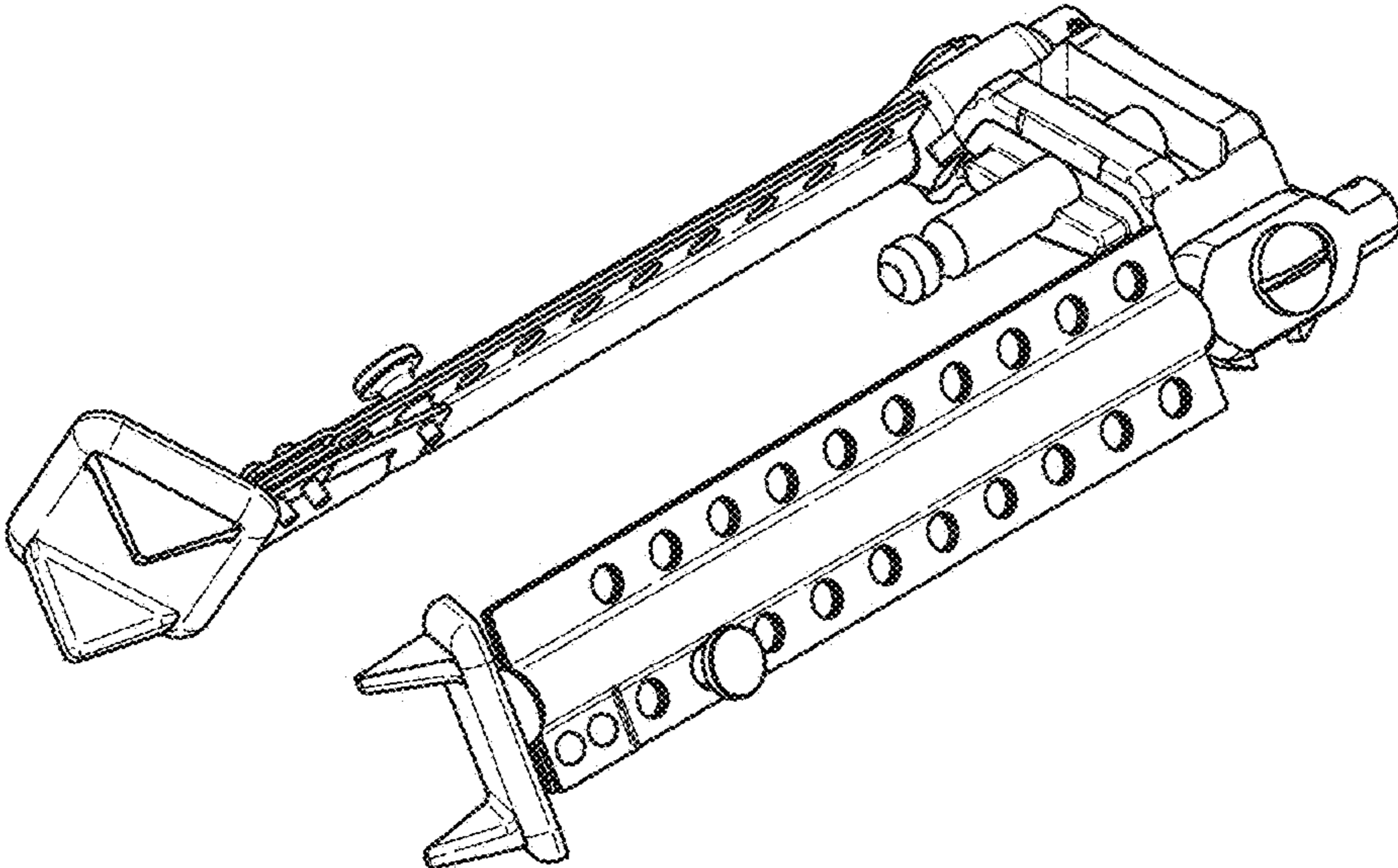


FIG. 1

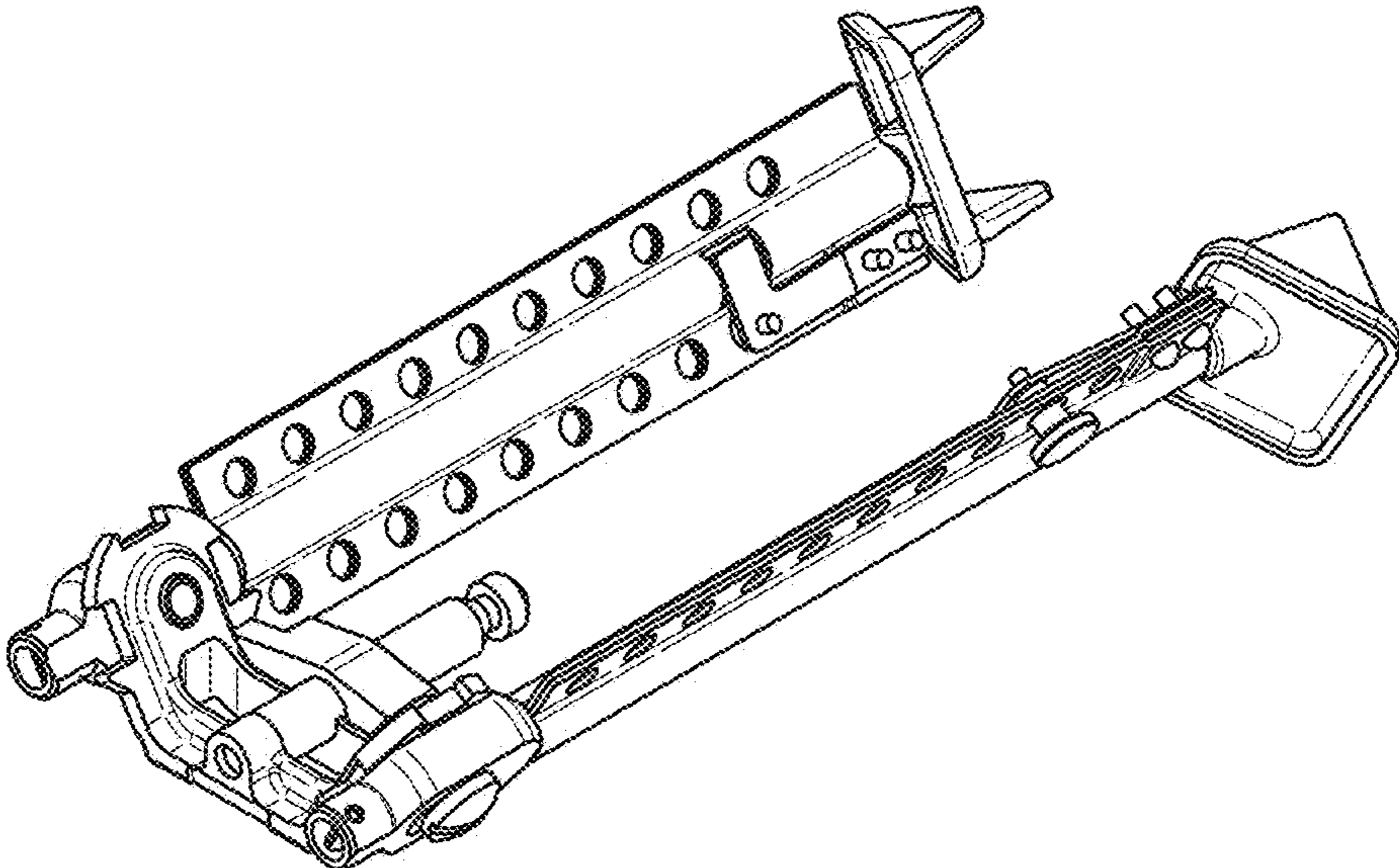


FIG. 2

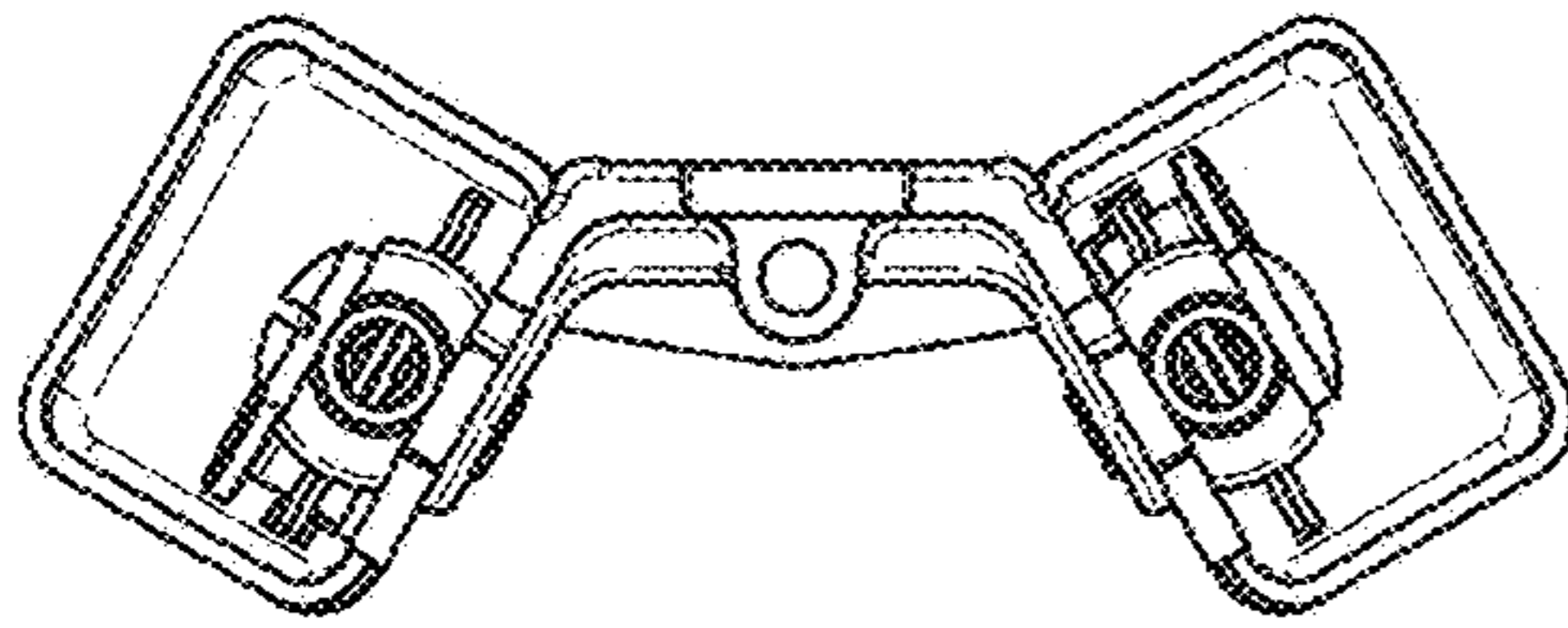


FIG. 3

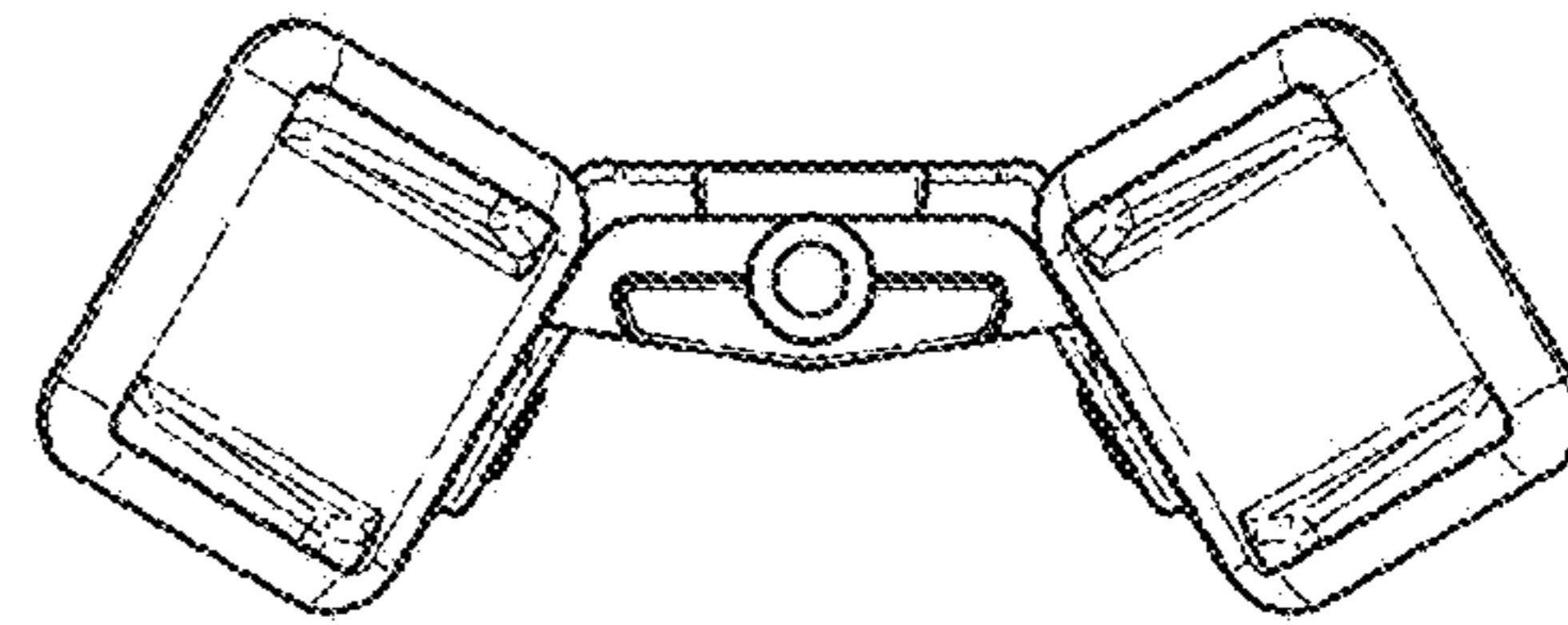


FIG. 4

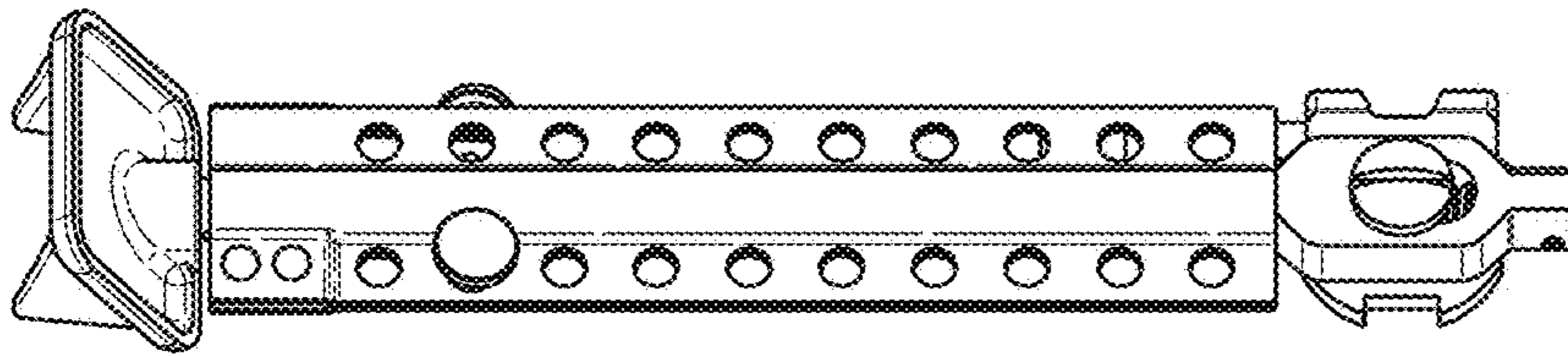


FIG. 5

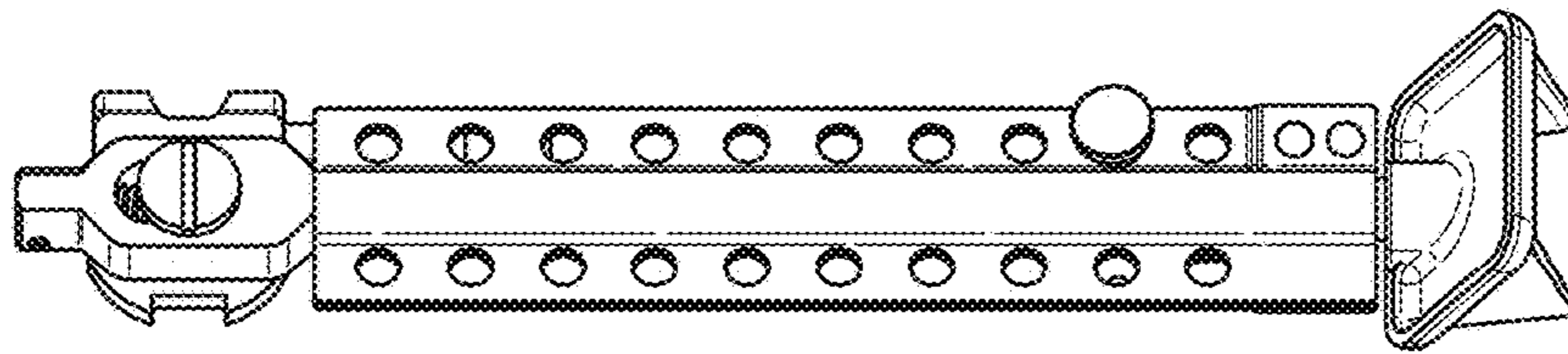


FIG. 6

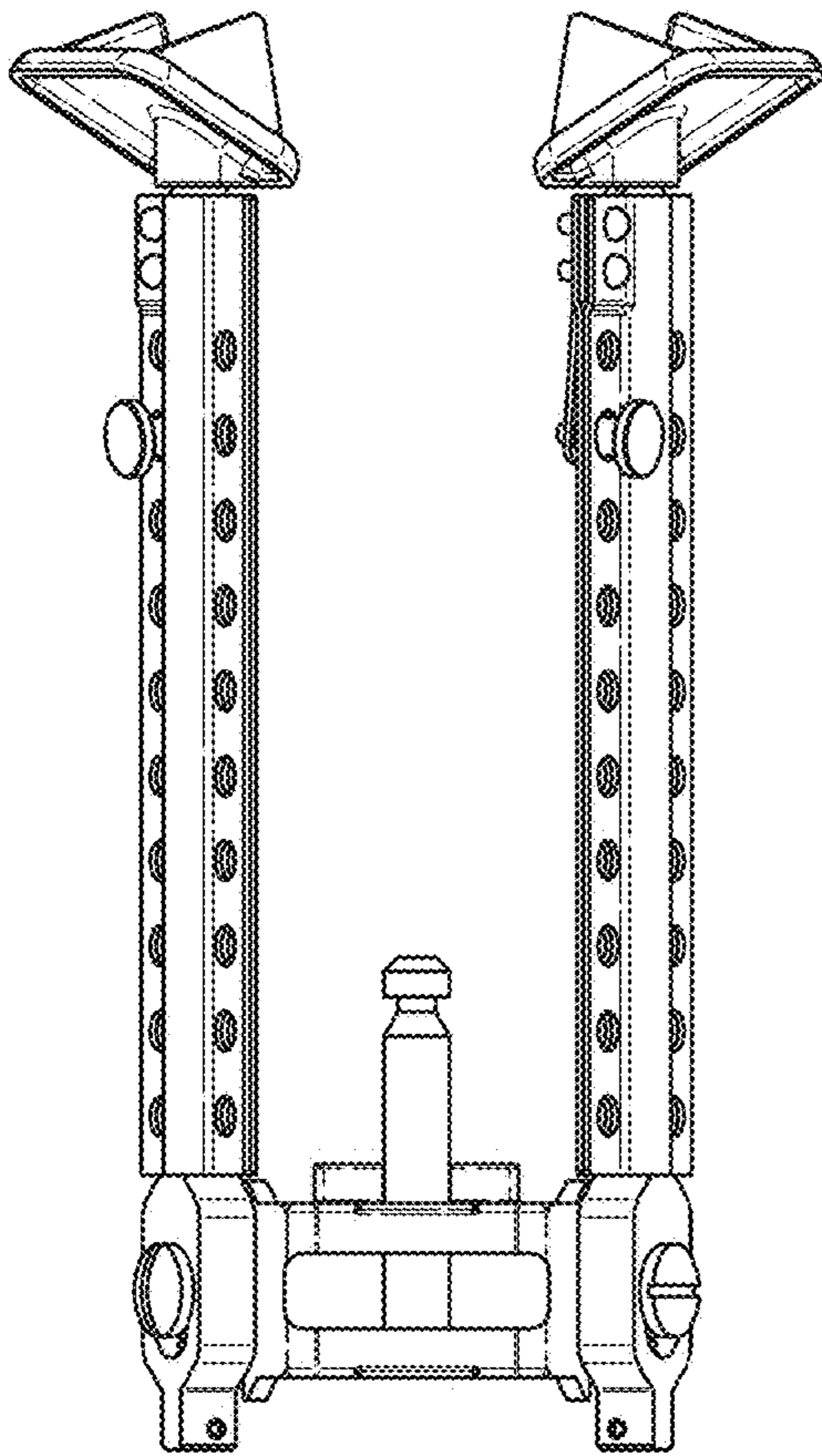


FIG. 7

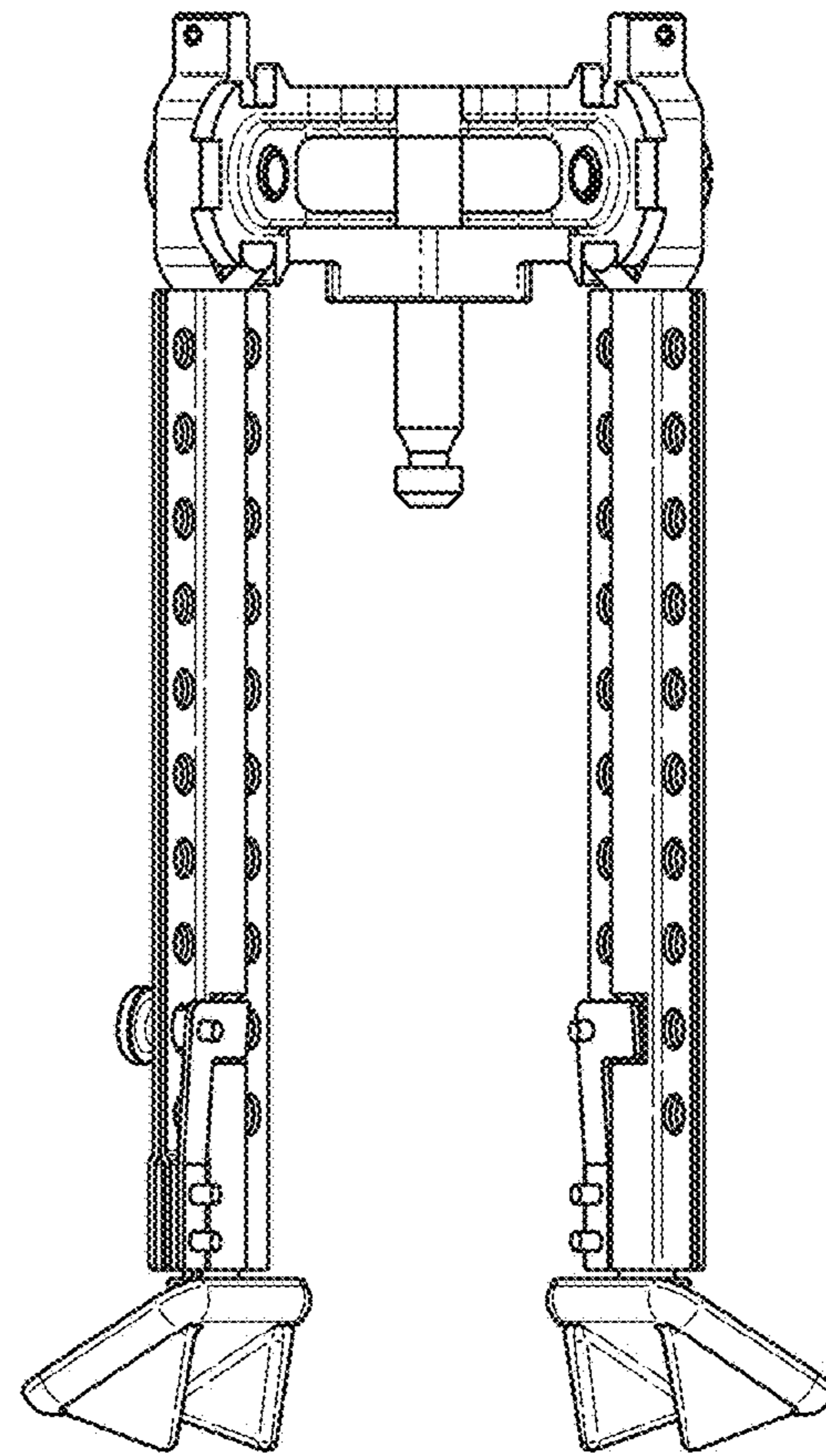


FIG. 8

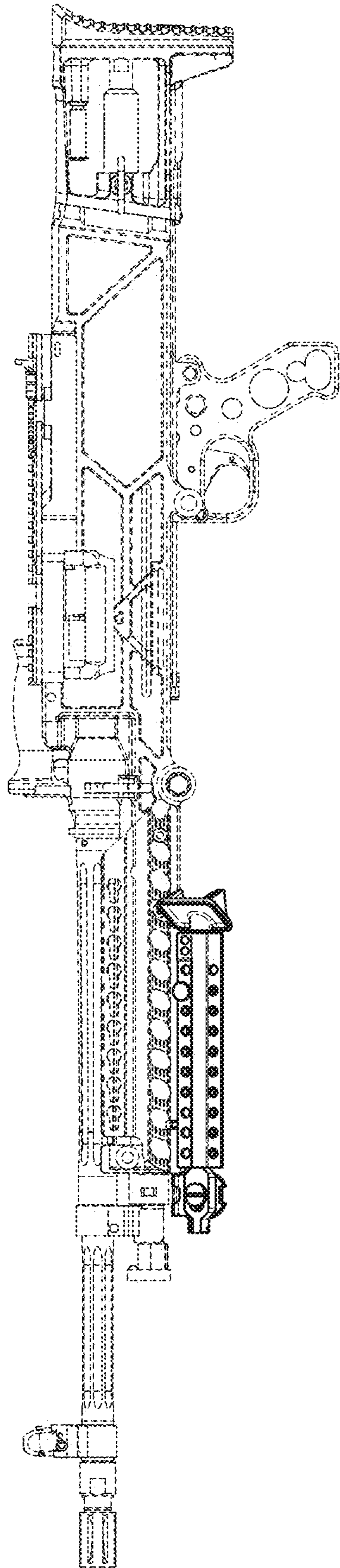


FIG. 9